



US00D631880S

(12) **United States Design Patent**  
**Hirota**

(10) **Patent No.:** **US D631,880 S**  
(45) **Date of Patent:** **\*\* Feb. 1, 2011**

(54) **DATA INPUT DEVICE**

2009/0131077 A1\* 5/2009 Paratore et al. .... 455/456.1

(75) Inventor: **Masuo Hirota**, Kitasaitama-gun (JP)

FOREIGN PATENT DOCUMENTS

(73) Assignee: **Wacom Co., Ltd.**, Saitama (JP)

JP D1025022 S 11/1998  
JP D1267831 S 4/2006

(\*\*) Term: **14 Years**

\* cited by examiner

(21) Appl. No.: **29/358,047**

*Primary Examiner*—Freda S Nunn

(22) Filed: **Mar. 22, 2010**

(74) *Attorney, Agent, or Firm*—Seed IP Law Group PLLC

(30) **Foreign Application Priority Data**

Oct. 7, 2009 (JP) ..... 2009-023496

(57) **CLAIM**

The ornamental design for a data input device, as shown and described.

(51) **LOC (9) Cl.** ..... **14-02**

(52) **U.S. Cl.** ..... **D14/383**

(58) **Field of Classification Search** ..... D14/341–346,  
D14/383–387; D18/4.4, 4.6, 6, 7; 382/115,  
382/116, 119, 124, 126; 356/71; 235/51,  
235/382, 382.5; 345/169, 173, 179; 455/456.1;  
600/301

See application file for complete search history.

**DESCRIPTION**

FIG. 1 is a perspective view of a data input device showing my new design wherein a pen is shown in a vertical position;

FIG. 2 is a perspective view thereof wherein a pen is shown in a horizontal position;

FIG. 3 is a top view thereof;

FIG. 4 is a bottom view thereof;

FIG. 5 is a front elevational view thereof;

FIG. 6 is a back elevational view thereof;

FIG. 7 is a left side elevational view thereof; and,

FIG. 8 is a right side elevational view thereof.

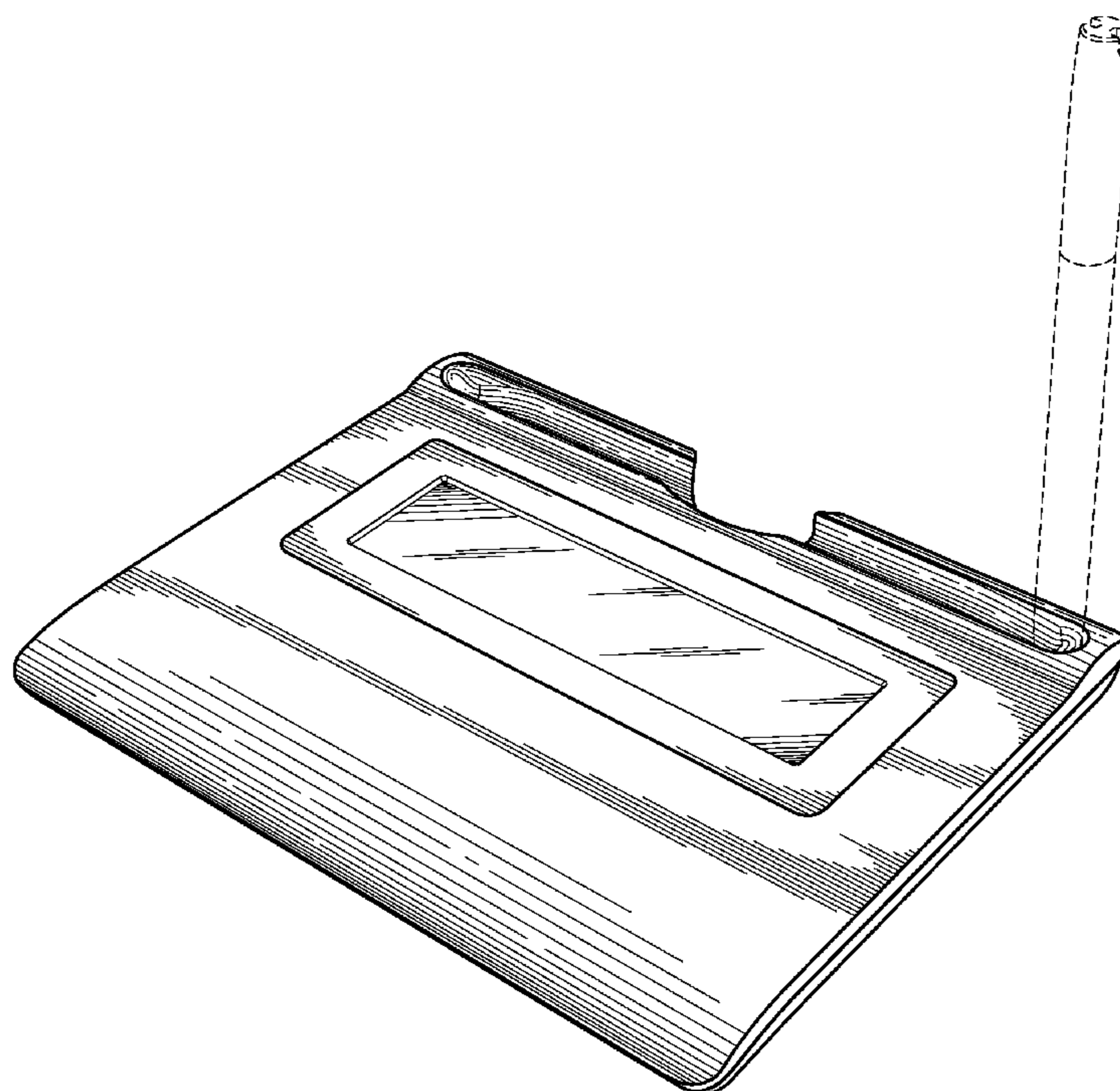
The pen is shown in broken lines in FIGS. 1 and 2 for environmental purposes only and forms no part of the claimed design.

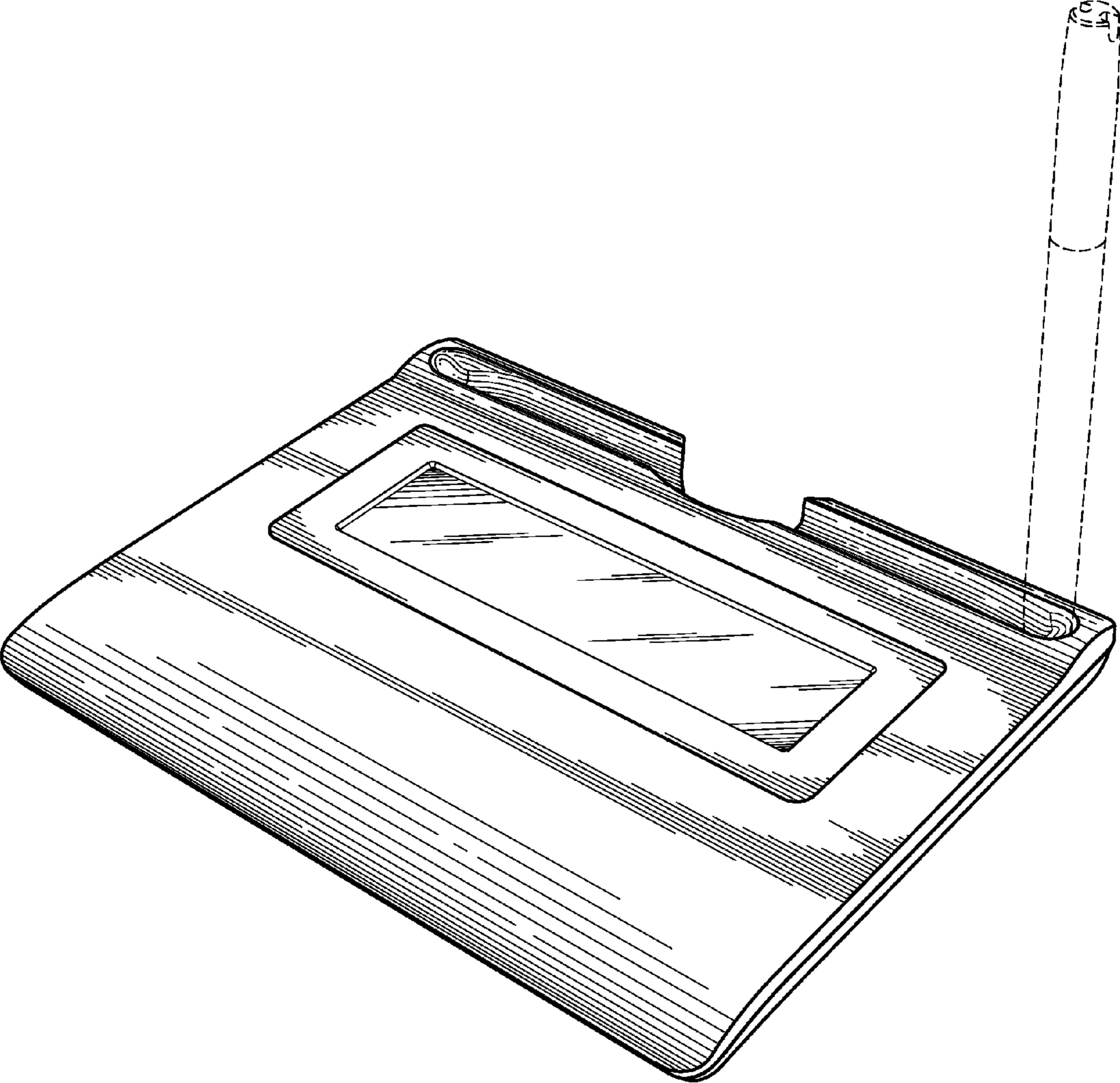
(56) **References Cited**

U.S. PATENT DOCUMENTS

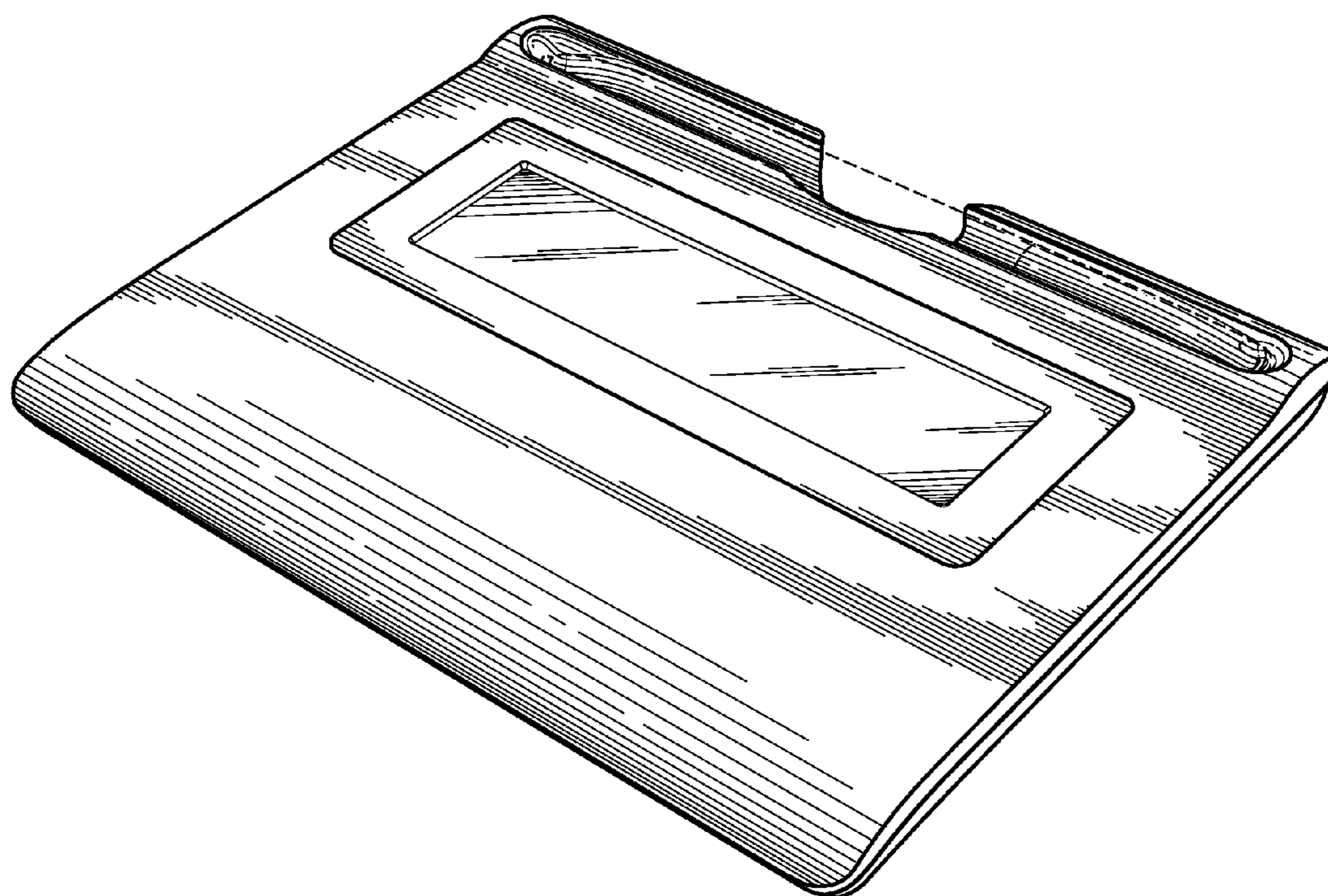
D307,134 S \* 4/1990 Makidera ..... D14/342  
5,103,486 A \* 4/1992 Grippi ..... 382/116  
6,575,904 B2 \* 6/2003 Nagai et al. .... 600/301  
6,641,033 B2 \* 11/2003 McClure et al. .... 235/51  
D532,009 S \* 11/2006 Zank et al. .... D14/342  
D586,812 S \* 2/2009 Guenther ..... D14/383  
2008/0170049 A1 \* 7/2008 Larson et al. .... 345/179  
2008/0309645 A1 \* 12/2008 Wang ..... 345/179

**1 Claim, 5 Drawing Sheets**

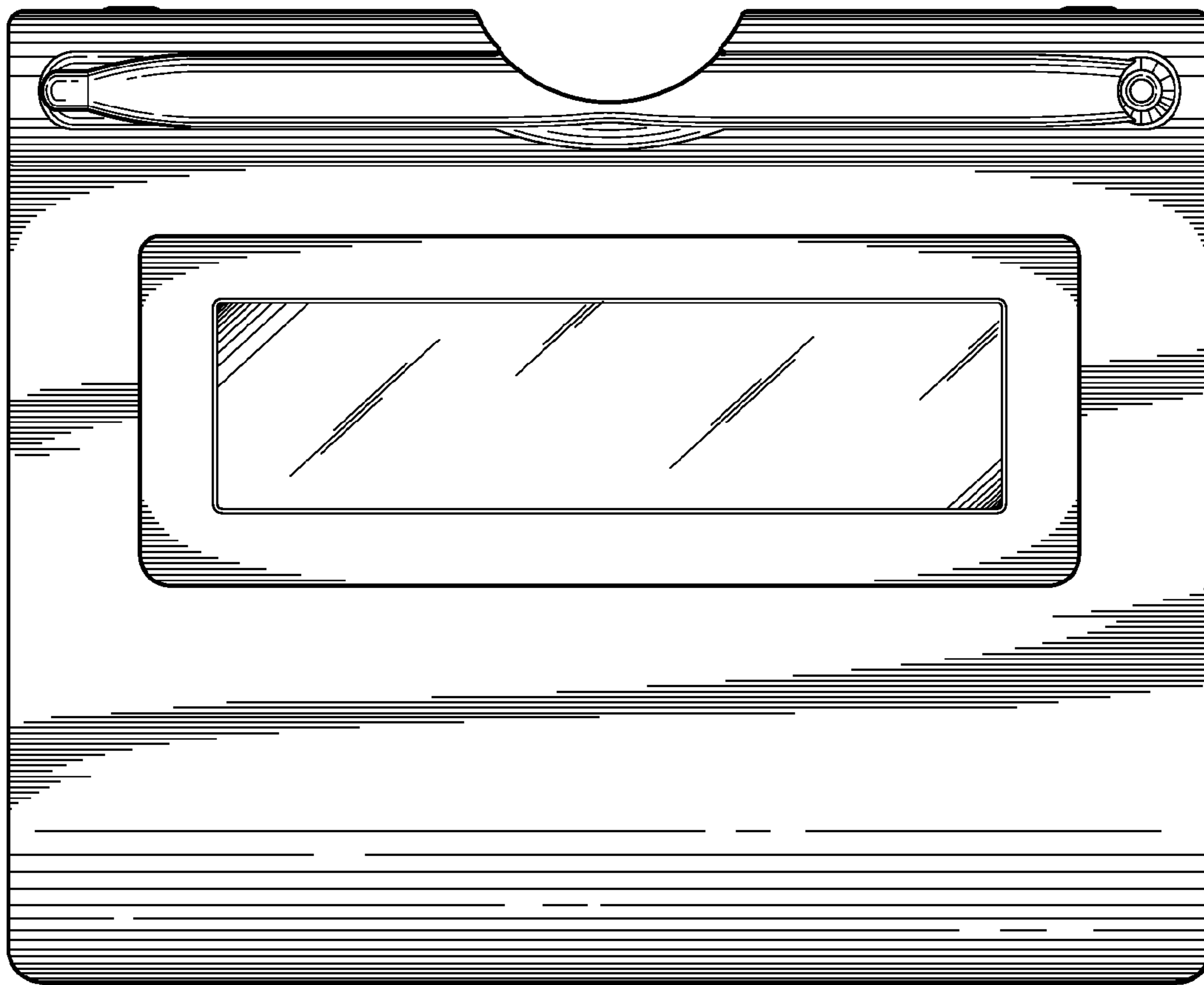




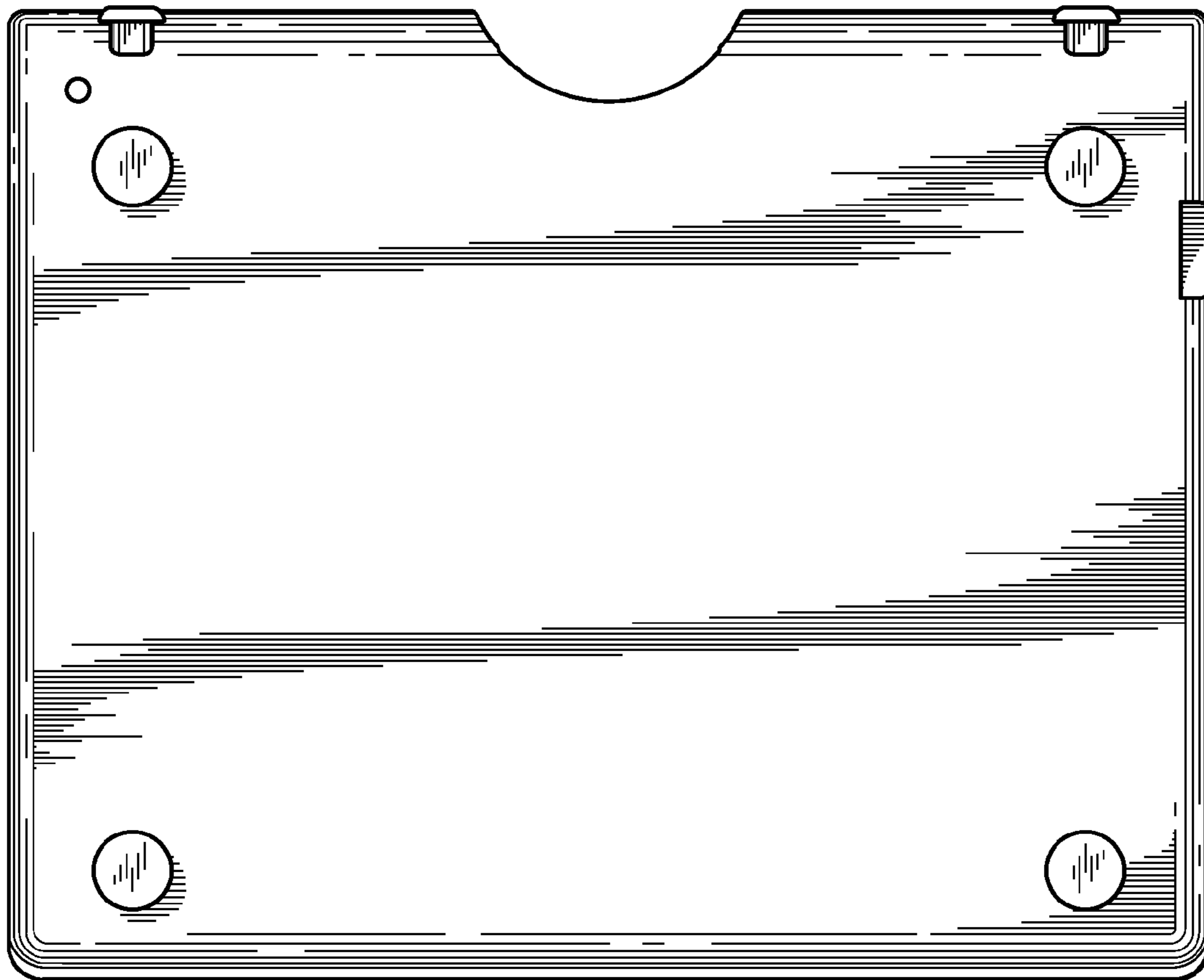
**FIG.1**



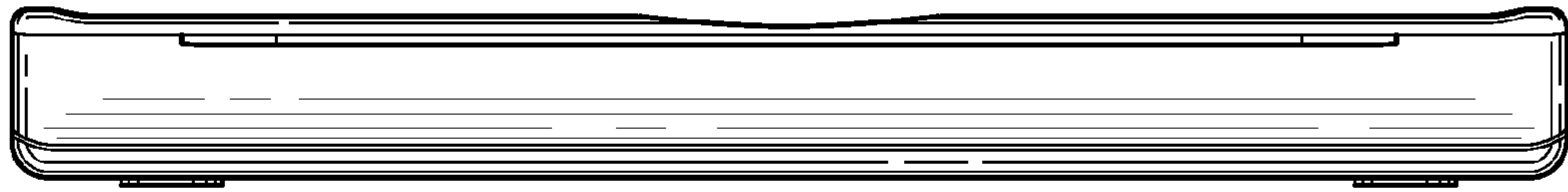
**FIG. 2**



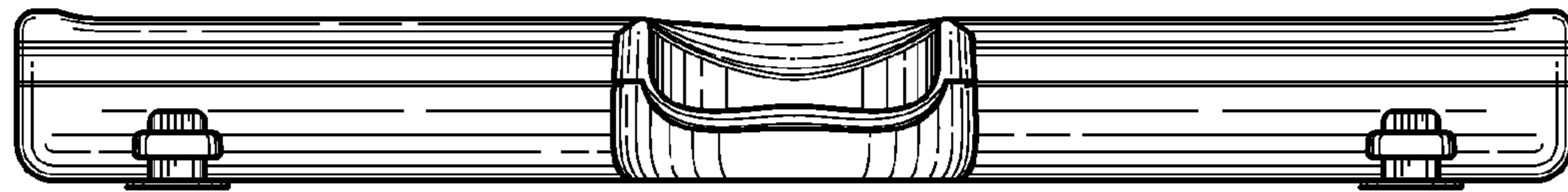
***FIG. 3***



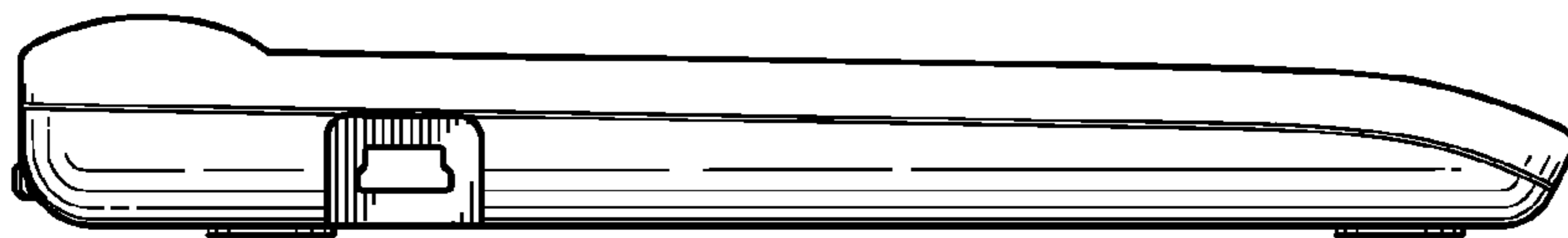
**FIG. 4**



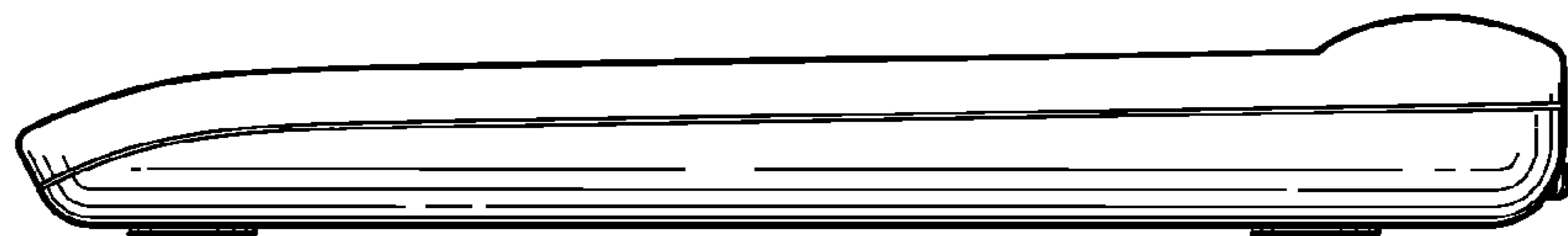
**FIG. 5**



**FIG. 6**



**FIG. 7**



**FIG. 8**