



US00D631876S

(12) **United States Design Patent**
Molter et al.

(10) **Patent No.:** **US D631,876 S**
(45) **Date of Patent:** **** Feb. 1, 2011**

(54) **ARTICULATING MOUNTING UNIT FOR AUDIO/VISUAL DEVICES OR THE LIKE**

6,905,101 B1 6/2005 Dittmer
(Continued)

(75) Inventors: **Daniel E. Molter**, Elmhurst, IL (US);
Donald L. Anderson, Oak Park, IL (US); **Nicanor C. Rancho**,
Willowbrook, IL (US)

OTHER PUBLICATIONS

U.S. Appl. No. 29/358,115, filed Mar. 23, 2010, Molter et al.
U.S. Appl. No. 29/358,112, filed Mar. 23, 2010, Molter et al.
(Continued)

(73) Assignee: **Peerless Industries, Inc.**, Aurora, IL (US)

Primary Examiner—Raphael Barkai
Assistant Examiner—Randall Gholson
(74) *Attorney, Agent, or Firm*—Foley & Lardner LLP

(**) Term: **14 Years**

(21) Appl. No.: **29/367,921**

(57) **CLAIM**

(22) Filed: **Aug. 16, 2010**

We claim the ornamental design for an articulating mounting unit for audio/visual devices or the like, as shown and described.

Related U.S. Application Data

DESCRIPTION

(62) Division of application No. 29/358,151, filed on Mar. 23, 2010, now Pat. No. Des. 623,177.

FIG. 1 is a top front perspective view of another embodiment of the articulating mounting unit for audio/visual devices or the like showing our new design;

(51) **LOC (9) Cl.** **14-03**

(52) **U.S. Cl.** **D14/239**

(58) **Field of Classification Search** D14/125–134, D14/239, 371, 136, 374–377; D8/363, 373, D8/349, 394; 248/465, 917–924, 123.11; 348/825, 827, 836, 837, 838, 180, 184, 325, 348/739; 600/443; D6/477–479, 407, 474, D6/460, 461, 468; 312/7.2; 341/12; 345/87, 345/104, 133, 156, 168, 169, 173; 720/605, 720/669, 600, 655; 369/99, 197; 455/344–347; 349/1, 2, 11, 62; 108/59, 91, 92, 96; 211/40, 211/41.12, 42, 49.1, 50, 85.2, 90.04, 187, 211/190, 119.003, 134.153, 87.01, 71.01

FIG. 2 is a bottom front perspective view of the articulating mounting unit for audio/visual devices or the like in FIG. 1;

FIG. 3 is a front elevational view of the articulating mounting unit for audio/visual devices or the like in FIG. 1;

FIG. 4 is a right side elevational view of the articulating mounting unit for audio/visual devices or the like in FIG. 1;

FIG. 5 is a left side elevational view of the articulating mounting unit for audio/visual devices or the like in FIG. 1;

FIG. 6 is a top plan view of the articulating mounting unit for audio/visual devices or the like in FIG. 1;

FIG. 7 is a bottom plan view of the articulating mounting unit for audio/visual devices or the like in FIG. 1; and,

FIG. 8 is a rear elevational view of the articulating mounting unit for audio/visual devices or the like in FIG. 1.

The broken lines shown are for illustrative purposes only and form no part of the claimed design.

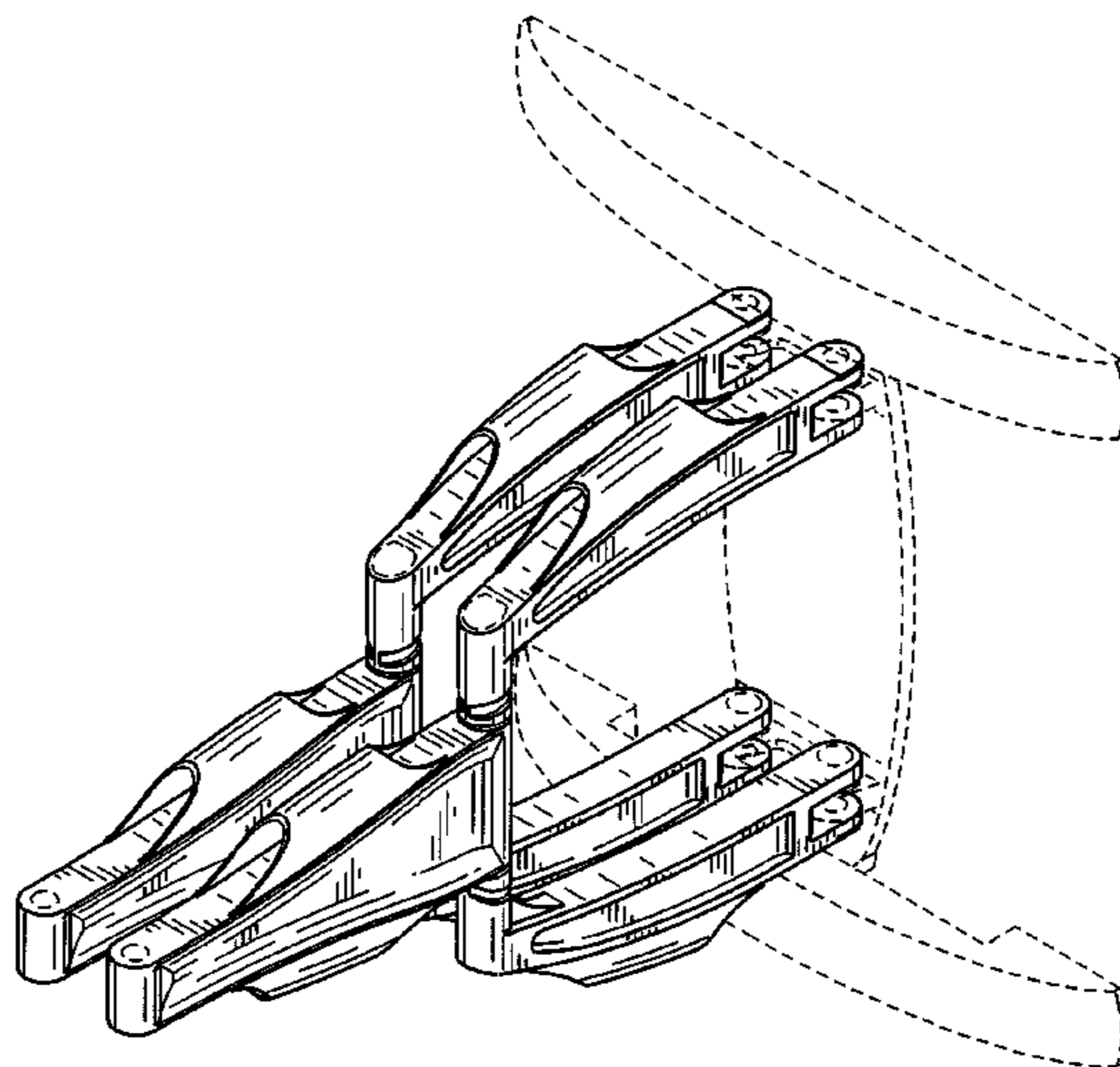
See application file for complete search history.

(56) **References Cited**

U.S. PATENT DOCUMENTS

D488,708 S	4/2004	Lam et al.
D489,599 S	5/2004	Lam
D496,367 S	9/2004	Pfister
D505,858 S	6/2005	O'Keene

1 Claim, 8 Drawing Sheets



US D631,876 S

Page 2

U.S. PATENT DOCUMENTS

D507,477 S 7/2005 Pfister
D539,127 S 3/2007 Ly Hau et al.
7,243,892 B2 7/2007 Pfister
D549,558 S 8/2007 Dittmer et al.
D556,205 S 11/2007 Wohlford et al.
D558,560 S 1/2008 Ciungan
D558,561 S 1/2008 Ciungan
D558,562 S 1/2008 Ciungan et al.
D558,563 S 1/2008 Ciungan
D558,564 S 1/2008 Ciungan
D559,087 S 1/2008 Ciungan
D559,088 S * 1/2008 Ciungan et al. D14/452
D559,662 S * 1/2008 Sculler et al. D8/380
D562,113 S 2/2008 Ciungan et al.
D568,890 S * 5/2008 Sculler et al. D14/451
D569,381 S * 5/2008 Sculler et al. D14/452
7,380,760 B2 6/2008 Dittmer
7,387,286 B2 6/2008 Dittmer et al.
D577,730 S * 9/2008 Rutten D14/452
7,438,269 B2 10/2008 Pfister et al.
D580,742 S 11/2008 Short
D580,743 S 11/2008 Short
7,448,584 B2 11/2008 Chen et al.

D581,916 S 12/2008 Sculler et al.
D584,734 S 1/2009 Chu
7,487,943 B1 2/2009 Gillespie
D587,716 S 3/2009 Hau et al.
7,513,469 B1 4/2009 Ciungan
D595,723 S 7/2009 Bures et al.
D605,185 S * 12/2009 Russell et al. D14/239
7,641,163 B2 1/2010 O'Keene
D611,479 S * 3/2010 Hau et al. D14/452
2008/0151483 A1 6/2008 Holbrook et al.

OTHER PUBLICATIONS

U.S. Appl. No. 29/358,120, filed Mar. 23, 2010, Molter et al.
U.S. Appl. No. 29/357,061, filed Mar. 5, 2010, Molter et al.
U.S. Appl. No. 29/357,037, filed Mar. 5, 2010, Molter et al.
U.S. Appl. No. 29/357,041, filed Mar. 5, 2010, Molter et al.
U.S. Appl. No. 29/358,138, filed Mar. 23, 2010, Molter et al.
U.S. Appl. No. 29/358,154, filed Mar. 23, 2010, Molter et al.
U.S. Appl. No. 29/358,141, filed Mar. 23, 2010, Molter et al.
U.S. Appl. No. 29/358,110, filed Mar. 23, 2010, Molter et al.
U.S. Appl. No. 29/358,109, filed Mar. 23, 2010, Molter et al.
U.S. Appl. No. 29/358,151, filed Mar. 23, 2010, Molter et al.

* cited by examiner

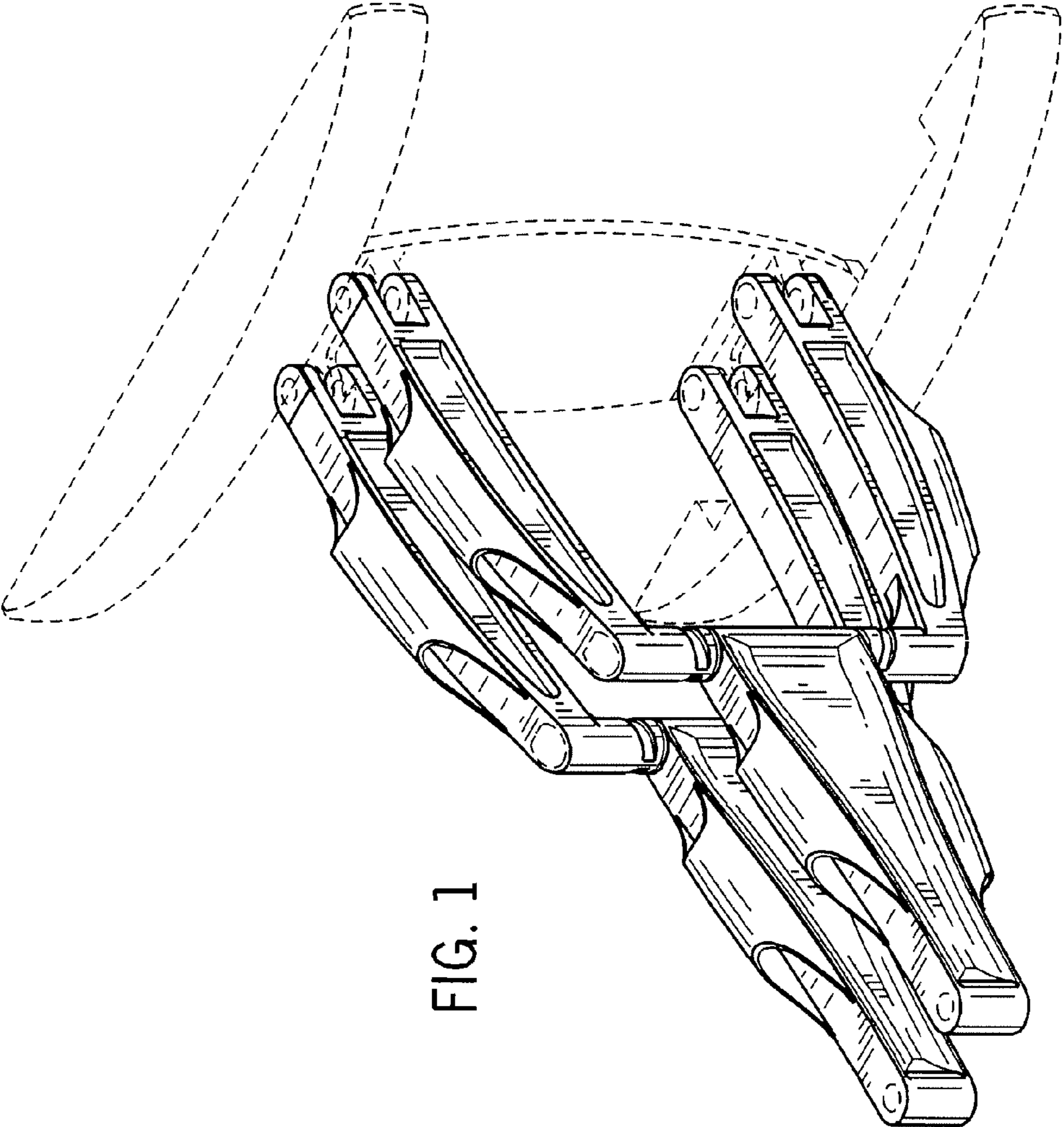


FIG. 1

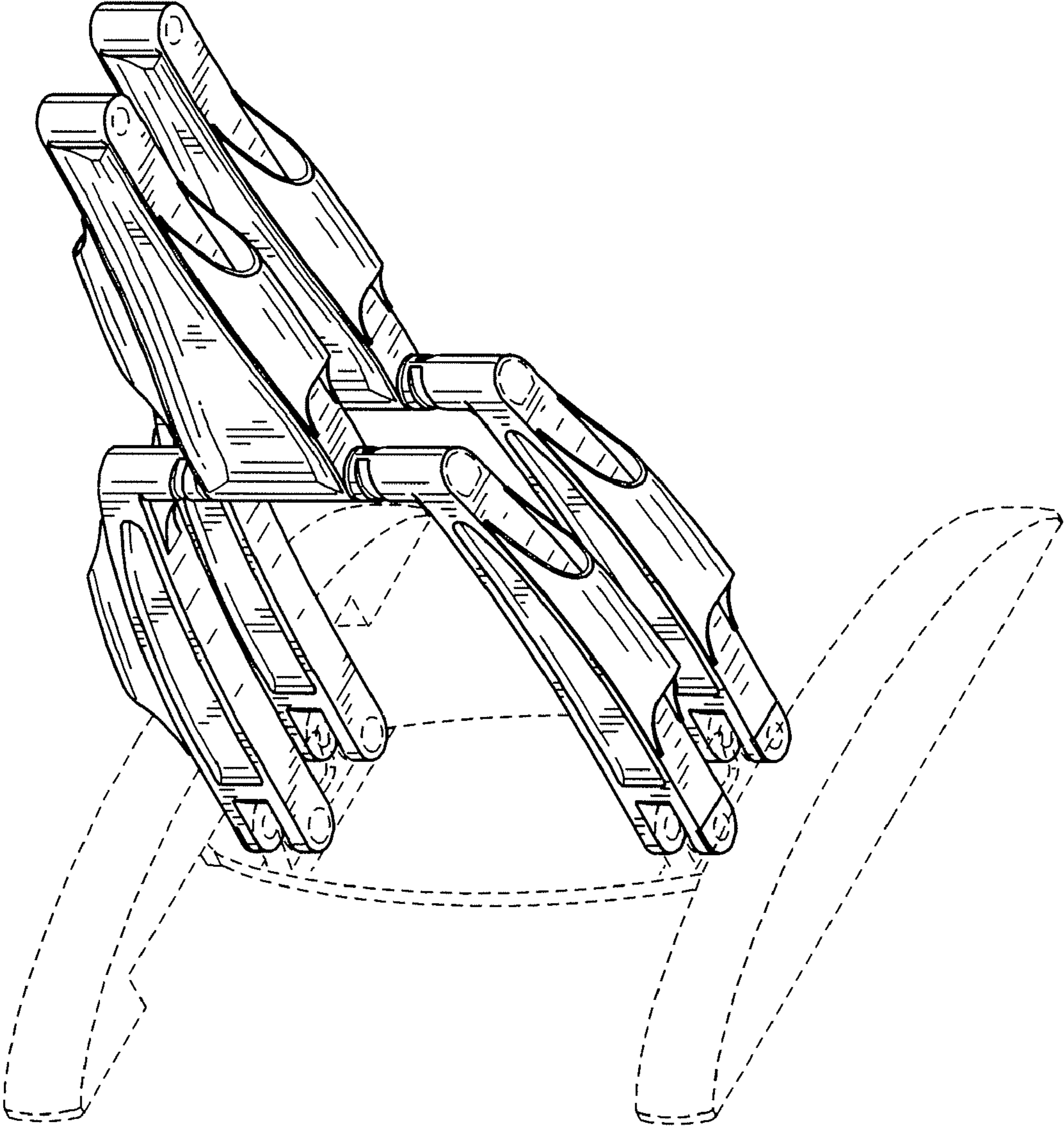


FIG. 2

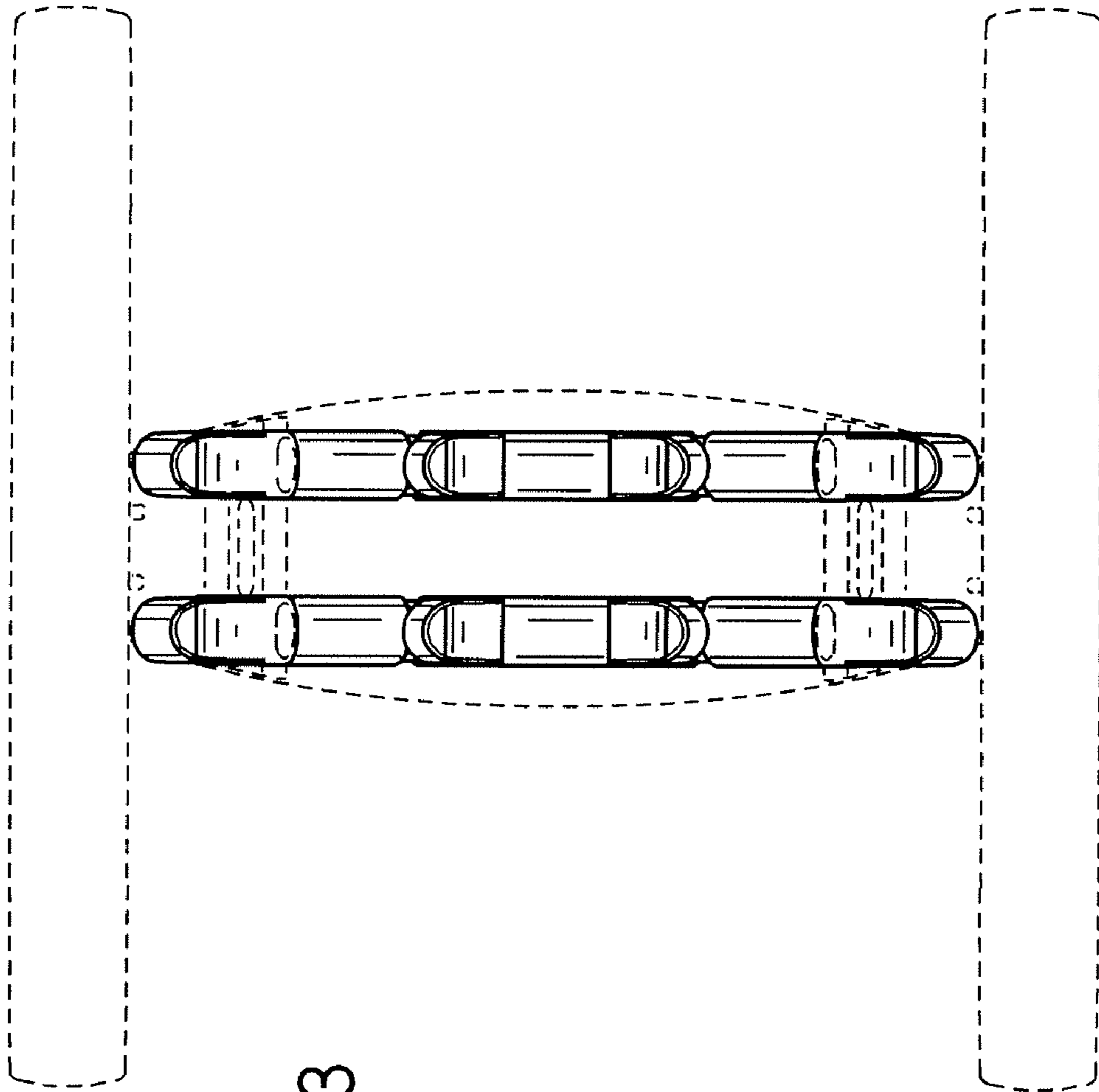


FIG. 3

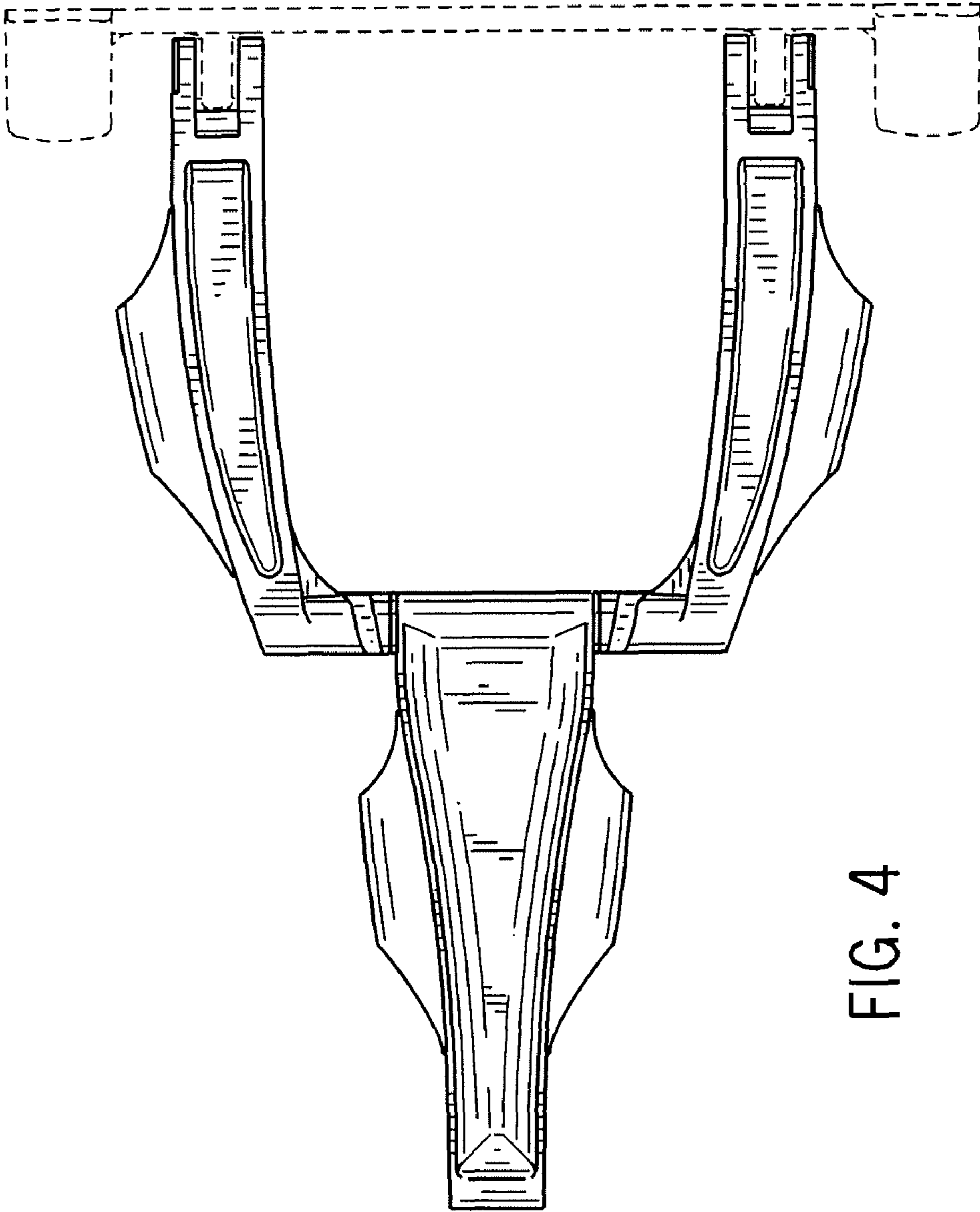


FIG. 4

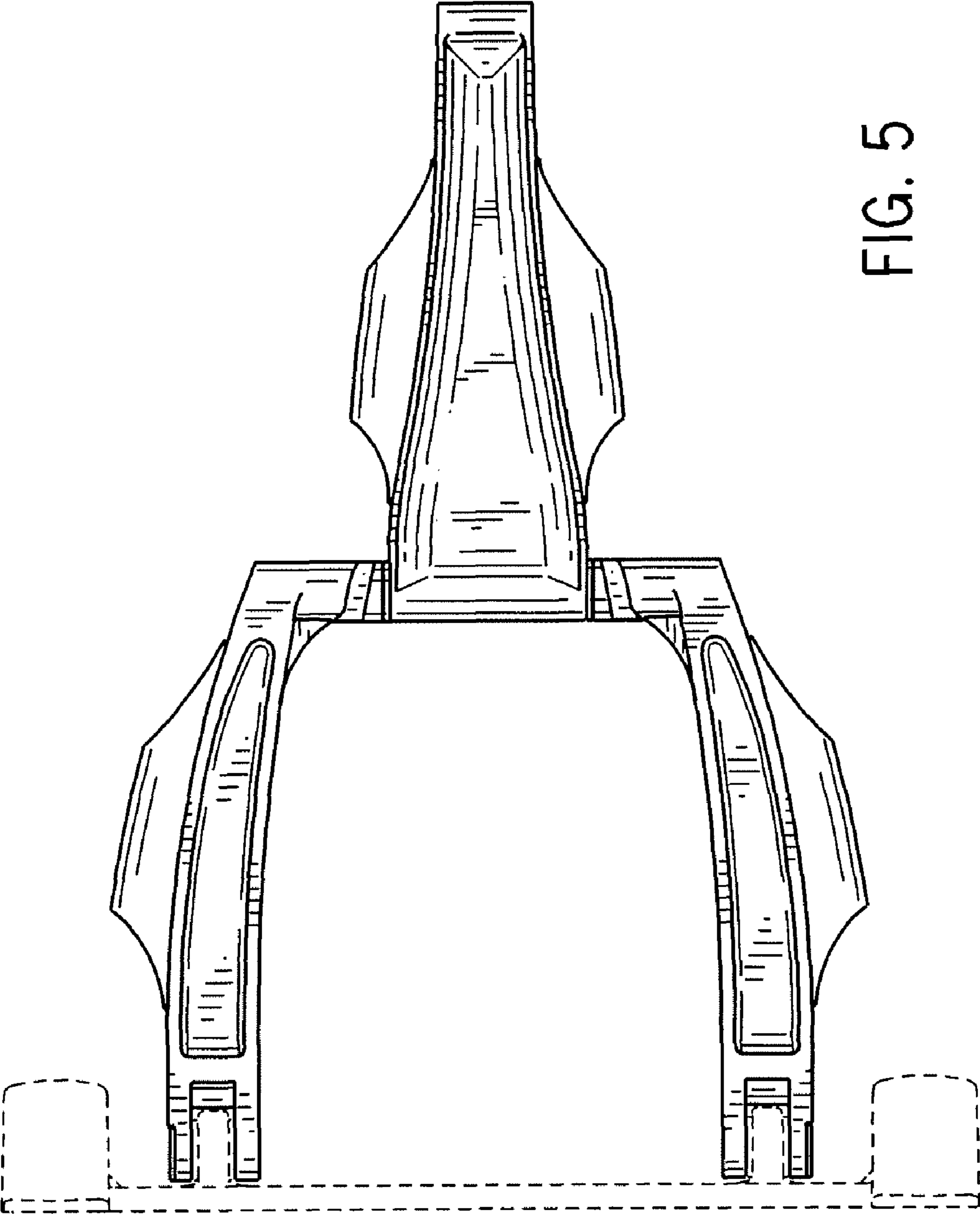


FIG. 5

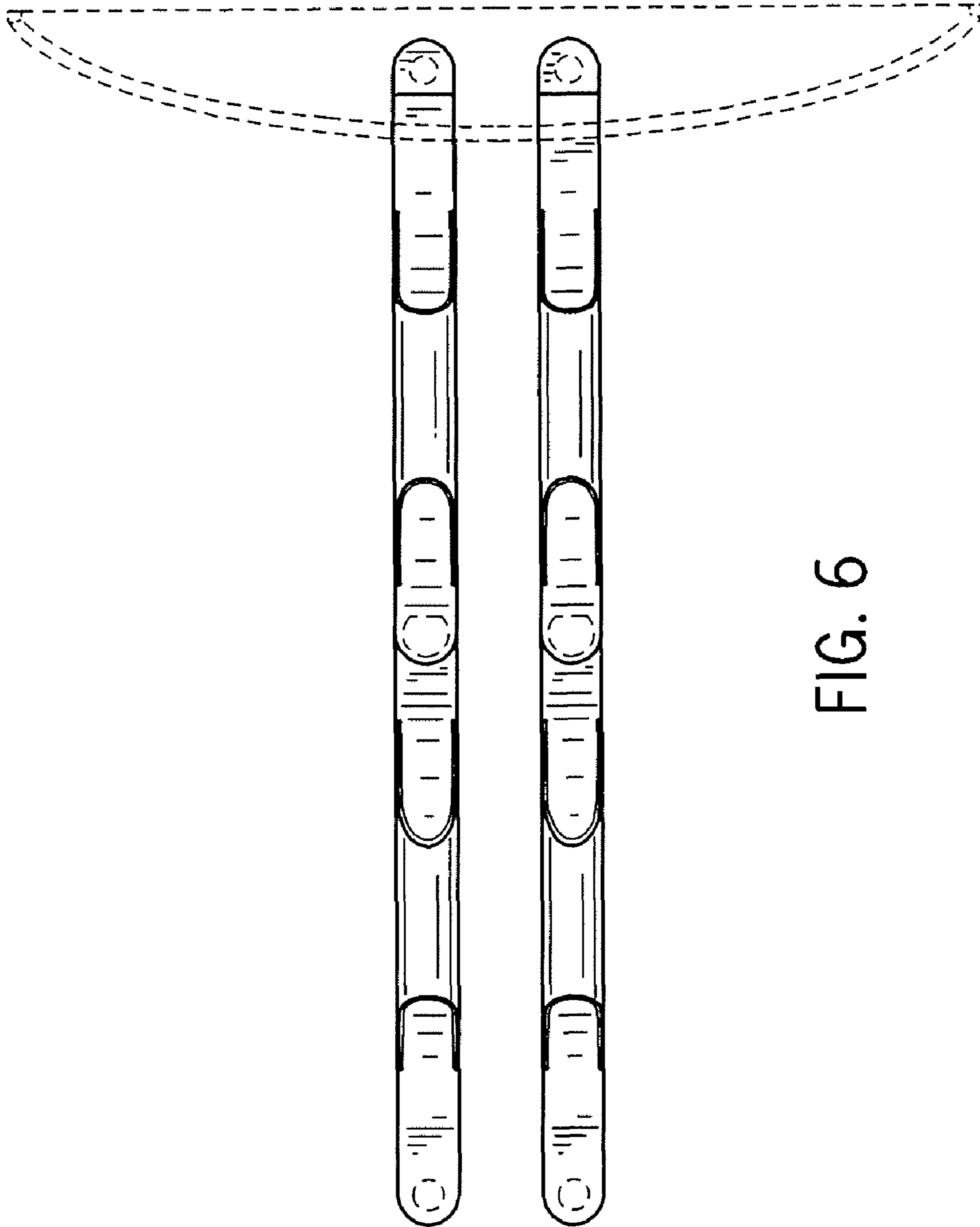


FIG. 6

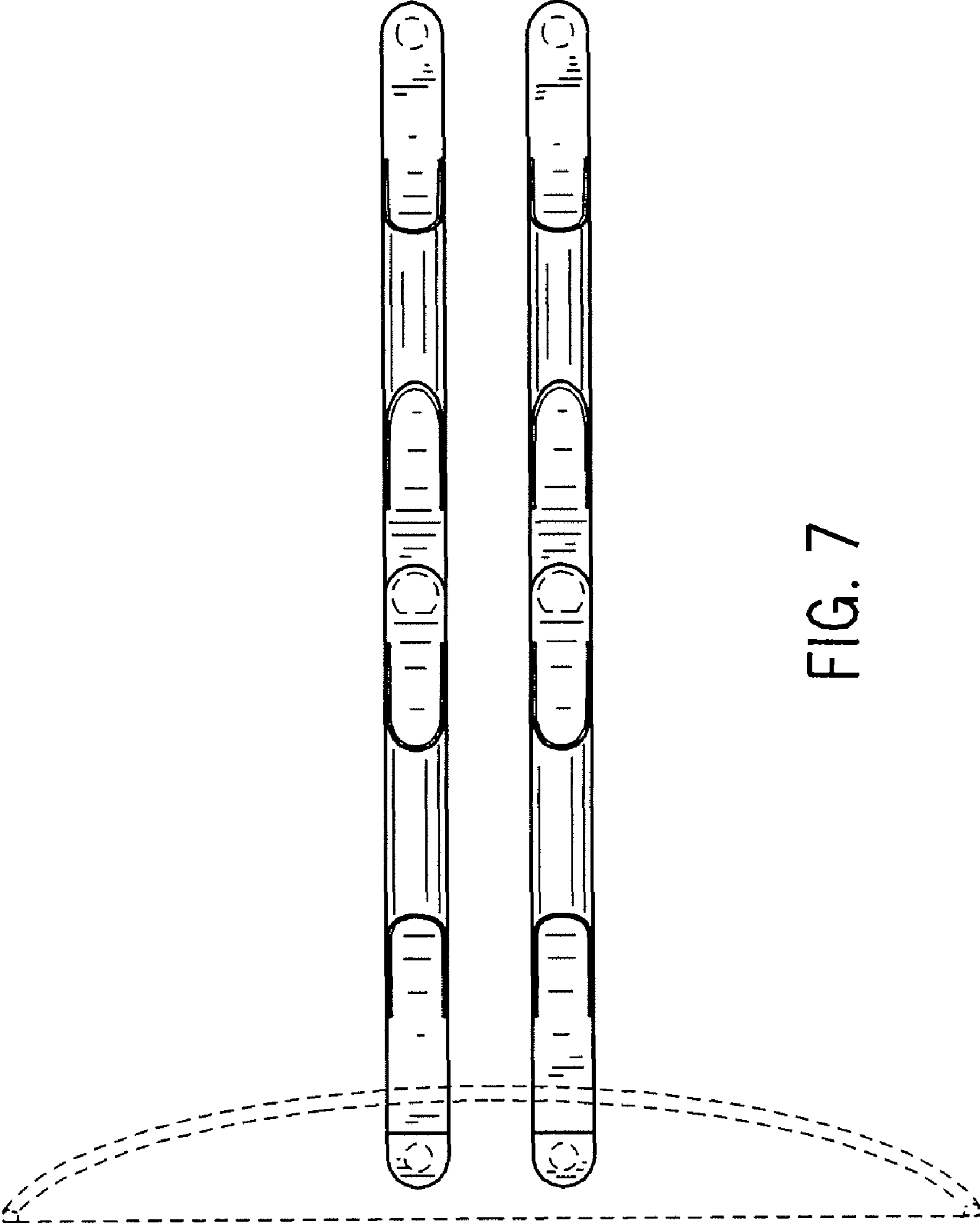


FIG. 7

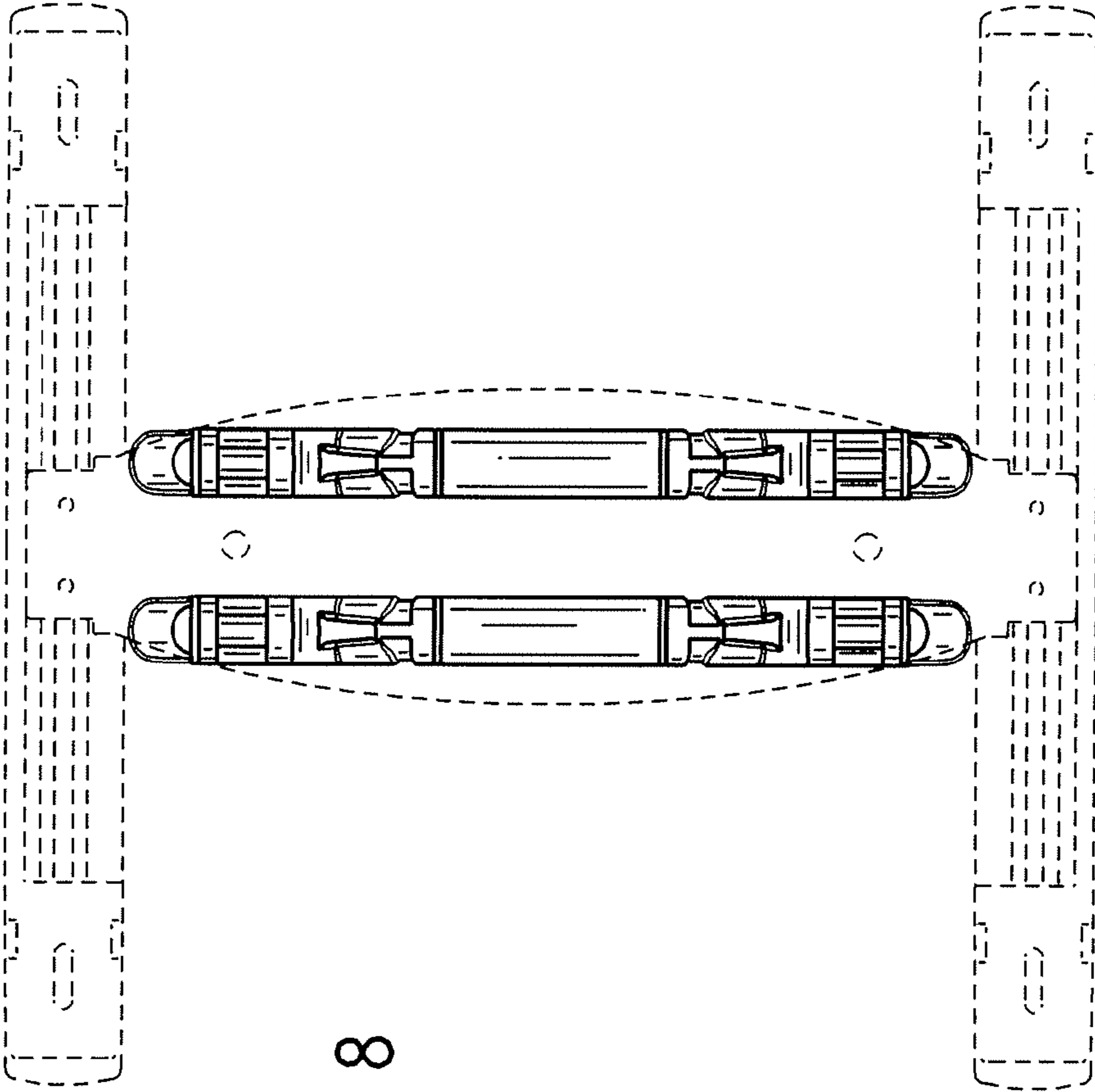


FIG. 8