



US00D631875S

(12) **United States Design Patent**
Skull et al.

(10) **Patent No.:** **US D631,875 S**
(45) **Date of Patent:** **** Feb. 1, 2011**

(54) **MOUNT FOR ELECTRONIC DISPLAY**

D538,140 S 3/2007 Ly Hau et al.
D538,141 S 3/2007 Stenhouse et al.

(75) Inventors: **Joseph Skull**, Fridley, MN (US); **Joe Bures**, Columbia Heights, MN (US); **Robert Hagen**, Minneapolis, MN (US)

(Continued)

(73) Assignee: **Milestone AV Technologies LLC**,
Savage, MN (US)

OTHER PUBLICATIONS

(**) Term: **14 Years**

CAD Drawings printout for Rhinomounts dated Jul. 22, 2005, 9, pages.

(21) Appl. No.: **29/366,584**

(Continued)

(22) Filed: **Jul. 27, 2010**

Primary Examiner—Raphael Barkai
Assistant Examiner—Randall Gholson
(74) *Attorney, Agent, or Firm*—Patterson Thuent Christensen Pedersen, P.A.

Related U.S. Application Data

(62) Division of application No. 29/351,339, filed on Dec. 3, 2009, now Pat. No. Des. 621,390.

(57) **CLAIM**

(51) **LOC (9) Cl.** **14-03**

The ornamental design for a mount for electronic display, as shown and described.

(52) **U.S. Cl.** **D14/239**

(58) **Field of Classification Search** D14/125–134,
D14/239, 371, 136, 374–377; D8/363, 373,
D8/349, 394; 248/465, 917–924, 123.11;
348/825, 827, 836, 837, 838, 180, 184, 325,
348/739; 600/443; D6/477–479, 407, 474,
D6/460, 461, 468; 312/7.2; 341/12; 345/87,
345/104, 133, 156, 168, 169, 173; 720/605,
720/669, 600, 655; 369/99, 197; 455/344–347;
349/1, 2, 11, 62; 108/59, 91, 92, 96; 211/40,
211/41.12, 42, 49.1, 50, 85.2, 90.04, 187,
211/190, 119.003, 134.153, 87.01, 71.01

DESCRIPTION

See application file for complete search history.

FIG. 1 is a front perspective view of a mount for electronic display according to the invention;

FIG. 2 is a front elevation view of the mount for electronic display depicted in FIG. 1;

FIG. 3 is a right side elevation view of the mount for electronic display depicted in FIG. 1;

FIG. 4 is a left side elevation view of the mount for electronic display depicted in FIG. 1;

FIG. 5 is a top plan view of the mount for electronic display depicted in FIG. 1; and

FIG. 6 is a bottom plan view of the mount for electronic display depicted in FIG. 1.

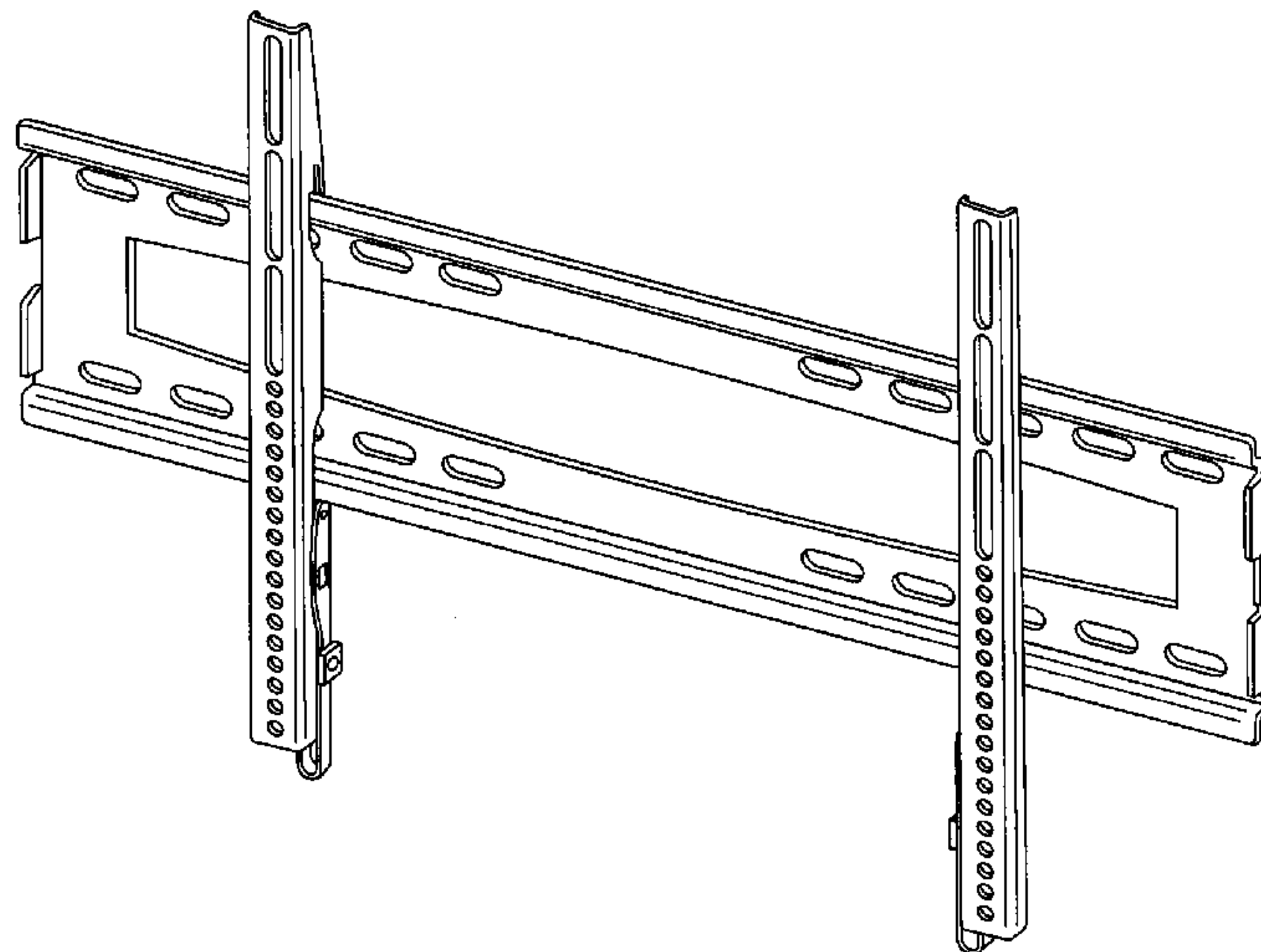
The rear elevation of the mount depicted in FIGS. 1-6 is not claimed, and are hence is not depicted.

(56) **References Cited**

U.S. PATENT DOCUMENTS

D517,085 S * 3/2006 Deuschle D14/451
D528,901 S * 9/2006 David D8/373
D530,595 S * 10/2006 Lam et al. D8/373
7,152,836 B2 12/2006 Pfister et al.
7,178,775 B2 2/2007 Pfister et al.

1 Claim, 2 Drawing Sheets



U.S. PATENT DOCUMENTS

D538,632	S	3/2007	Ly Hau et al.	
D560,221	S	1/2008	Hoglan et al.	
D560,670	S *	1/2008	Anderson et al. D14/451
D560,671	S	1/2008	Muday et al.	
D560,677	S	1/2008	Wohlford et al.	
D563,962	S *	3/2008	Grey	D14/452
D565,054	S	3/2008	Anderson et al.	
D565,399	S *	4/2008	Grey	D8/380
D570,852	S *	6/2008	Muday et al. D14/451
D576,632	S	9/2008	Stenhouse et al.	
D576,633	S	9/2008	Muday et al.	
D593,081	S	5/2009	Grolle et al.	
D614,611	S *	4/2010	Leung	D14/239
7,712,717	B2 *	5/2010	Burns	248/291.1
2005/0092890	A1 *	5/2005	Liao	248/466
2007/0090250	A1	4/2007	O'Keene	
2007/0176067	A1	8/2007	Monaco	
2007/0235614	A1	10/2007	O'Keene et al.	
2007/0262215	A1 *	11/2007	Tan	248/201
2009/0184221	A1	7/2009	Sculler	

OTHER PUBLICATIONS

Peerless Technical Data Sheet, dated Mar. 21, 2000, 1 Page.
 Peerless Installation and Assembly, dated Dec. 6, 2001, 2 Pages.
 Peerless Installation and Assembly, Plasma Adapter bracket for Zenith H40DVODP dated Jun. 22, 2001, 1 Page.
 Peerless Technical Data Sheet, dated Oct. 8, 2002, 2 Pages.
 Peerless Technical Data Sheet—Universal single stud tilting wall mount, dated May 19, 2003, 6 Pages.
 Peerless Installation and Assembly—Solid•Point Flat Wall Mount for Zenith Plasma Model DPDP6OW, dated Feb. 21, 2005, 1 Page.
 Peerless Installation and Assembly—Plasma Adapter bracket for Sony PFM-50C1 Plasma Monitor, p. 2, dated Sep. 26, 2002.
 Peerless Installation and Assembly—Plasma Adapter Bracket for 61" NEC PlasmaSync 61MP1 & 61MX2 Plasma Screens, dated Nov. 10, 2003, 3 Pages.
 Peerless Installation and Assembly—Secure Wall Mount for Philips, Aug. 12, 1998, 4 Pages.

Brochure Entitled: Panel Display Pivot Mount for Model PDM 625, 2 pgs. No date available.
 Brochure Entitled: Panel Display Pivot Mount for Model Nos. PDM 110 and PDM 120, 2 pgs. No date available.
 Plasma TV Wall Mount Installation Manual entitled: *Wall Mount Kit for Plasma TV Screens*, Rev 1.0, dated Nov. 2003, pp. 1-12.
 Brochure Entitled: Peerless® Flat Panel SmartMount™ Universal Tilt Wall Mount for 32" to 50" Plasma and LCD Flat Panel Screens, 2 pgs. © 2006.
 Brochure Entitled: Peerless® Flat Panel SmartMount™ Universal Tilt Wall Mount for 61" to 102" Plasma and LCD Flat Panel Screens, 2 pgs. © 2006.
 Brochure Entitled: Peerless® Flat Panel SmartMount™ Universal Tilt Wall Mount for 42" to 71" Plasma and LCD Flat Panel Screens, 2 pgs. © 2006.
 Brochure Entitled: Peerless® Flat Panel SmartMount™ Universal Tilt Wall Mount for 32" to 60" Plasma and LCD Flat Panel Screens, 2 pgs. © 2006.
 Brochure Entitled: Peerless® Flat Panel SmartMount™ Universal Tilt Wall Mount for 23" to 46" LCD Flat Panel Screens, 2 pgs. © 2006.
 Brochure Entitled: Peerless® Flat Panel SmartMount™ Universal Flat Wall Mount for 61" to 102" Plasma and LCD Flat Panel Screens, 2 pgs. © 2006.
 Brochure Entitled: Peerless® Flat Panel SmartMount™ Universal Flat Wall Mount for 42" to 71" Plasma and LCD Flat Panel Screens, 2 pgs. © 2006.
 Brochure Entitled: Peerless® Flat Panel SmartMount™ Universal Flat Wall Mount for 32" to 60" Plasma and LCD Flat Panel Screens, 2 pgs. © 2006.
 Brochure Entitled: Peerless® Flat Panel SmartMount™ Universal Flat Wall Mount for 23" to 46" LCD Flat Panel Screens, 2 pgs. . © 2006.
 Bochure Entitled: Peerless® Solid Solutions—Solid Support™ Installation and Assembly: SmartMount™ Universal Tilt Wall Mount for 22"-49" Screens, pp. 12, issued Mar. 31, 2005.
 ViewSonic Mount, pp. 1. Circa 2005.
 Hitachi Mount, pp. 1. Circa 2005.
 PAIR File History for U.S. Appl. No. 29/351,339, filed Dec. 3, 2009.

* cited by examiner

Fig. 1

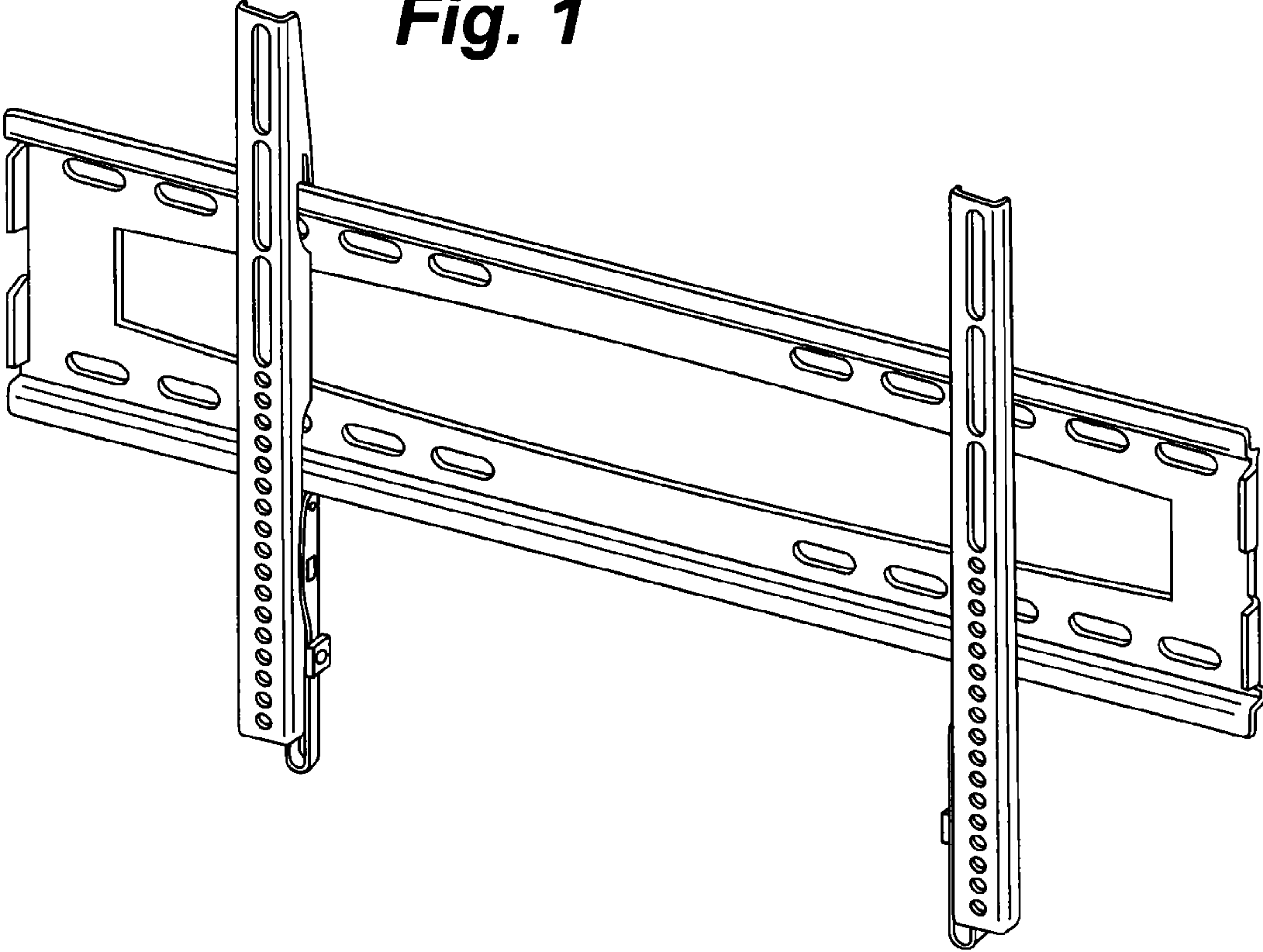


Fig. 2

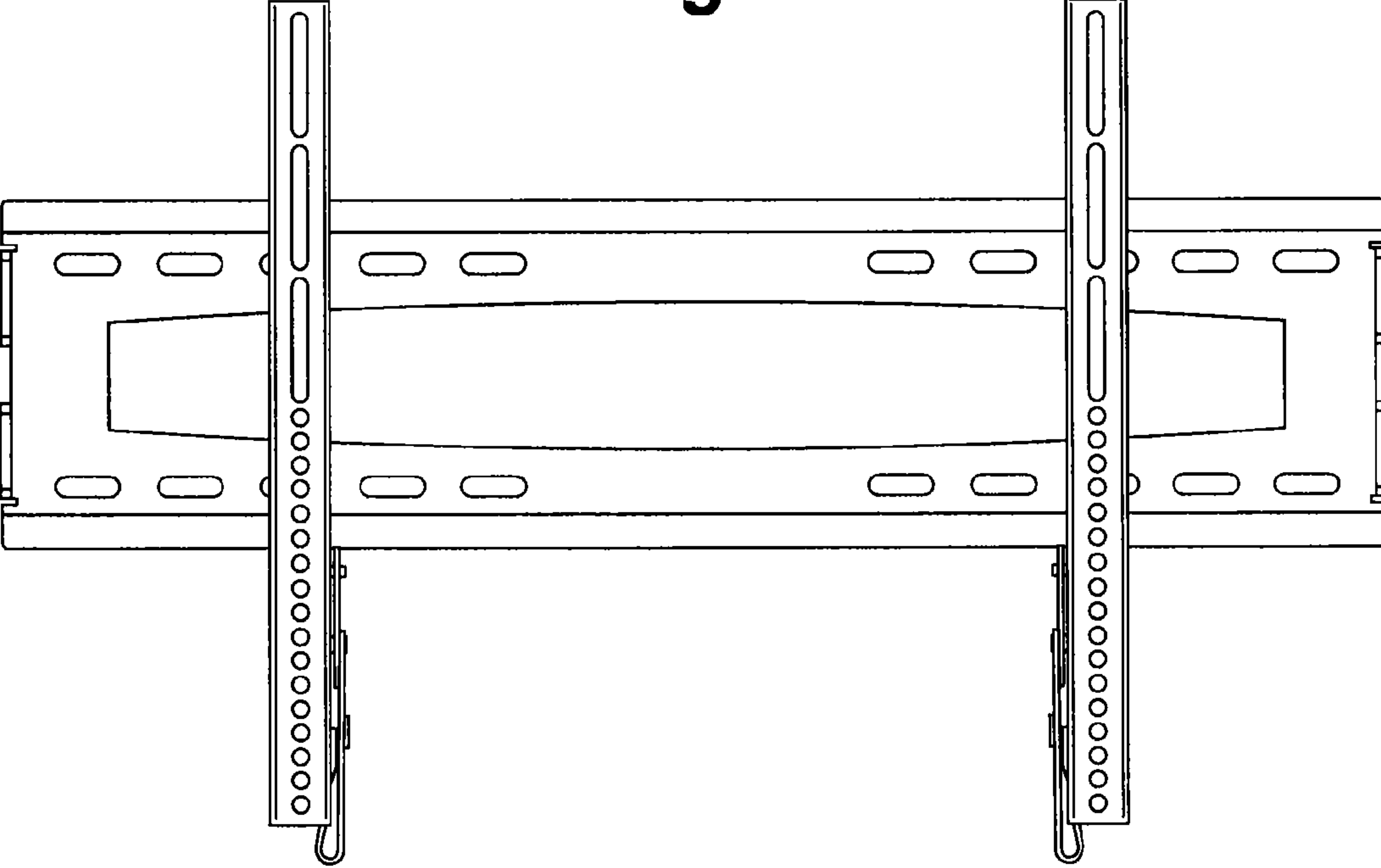


Fig. 3



Fig. 4



Fig. 5

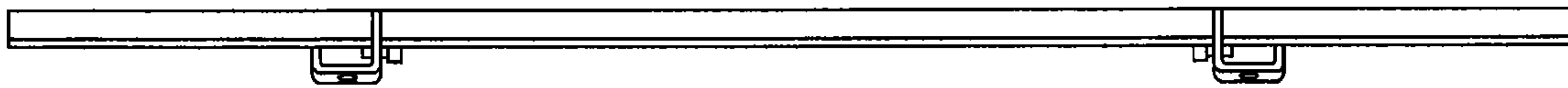


Fig. 6

