



US00D631874S

(12) **United States Design Patent**
Molter et al.

(10) **Patent No.:** **US D631,874 S**
(45) **Date of Patent:** **** Feb. 1, 2011**

(54) **ARTICULATING MOUNTING UNIT FOR AUDIO/VISUAL DEVICES OR THE LIKE**

(75) Inventors: **Daniel E. Molter**, Elmhurst, IL (US);
Donald L. Anderson, Oak Park, IL (US); **Nicanor C. Rancho**,
Willowbrook, IL (US)

(73) Assignee: **Peerless Industries, Inc.**, Aurora, IL (US)

(**) Term: **14 Years**

(21) Appl. No.: **29/358,112**

(22) Filed: **Mar. 23, 2010**

(51) **LOC (9) Cl.** **14-03**

(52) **U.S. Cl.** **D14/239**

(58) **Field of Classification Search** D25/125-134,
D25/239, 371, 136, 374-377; D8/363, 373,
D8/349, 394; 248/465, 917-924, 123.11;
348/825, 827, 836, 837, 838, 180, 184, 325,
348/739; 600/443; D6/477-479, 407, 474,
D6/460, 461, 468; 312/7.2; 341/12; 345/87,
345/104, 133, 156, 168, 169, 173; 720/605,
720/669, 600, 655; 369/99, 197; 455/344-347;
349/1, 2, 11, 62; 108/59, 91, 92, 96; 211/40,
211/41.12, 42, 49.1, 50, 85.2, 90.04, 187,
211/190, 119.003, 134.153, 87.01, 71.01
See application file for complete search history.

(56) **References Cited**

U.S. PATENT DOCUMENTS

D488,708 S	4/2004	Lam et al.	
D489,599 S	5/2004	Lam	
D496,367 S	9/2004	Pfister	
D505,858 S	6/2005	O'Keene	
6,905,101 B1	6/2005	Dittmer	
D507,477 S	7/2005	Pfister	
D539,127 S *	3/2007	Ly Hau et al. D8/373
7,243,892 B2	7/2007	Pfister	
D549,558 S	8/2007	Dittmer et al.	
D556,205 S	11/2007	Wohlford et al.	

D558,560 S	1/2008	Ciungan
D558,561 S	1/2008	Ciungan
D558,562 S	1/2008	Ciungan et al.
D558,563 S	1/2008	Ciungan
D558,564 S	1/2008	Ciungan
D559,087 S	1/2008	Ciungan
D559,088 S	1/2008	Ciungan
D562,113 S	2/2008	Ciungan et al.

(Continued)

OTHER PUBLICATIONS

U.S. Appl. No. 29/358,115, filed Mar. 23, 2010, Molter et al.

(Continued)

Primary Examiner—Raphael Barkai
Assistant Examiner—Randall Gholson

(74) *Attorney, Agent, or Firm*—Foley & Lardner LLP

(57) **CLAIM**

We claim the ornamental design for an articulating mounting unit for audio/visual devices or the like, as shown and described.

DESCRIPTION

FIG. 1 is a top front perspective view of an articulating mounting unit for audio/visual devices or the like showing our new design;

FIG. 2 is a bottom front perspective view thereof;

FIG. 3 is a top rear perspective view thereof;

FIG. 4 is a right side elevational view thereof;

FIG. 5 is a left side elevational view thereof;

FIG. 6 is a top plan view thereof;

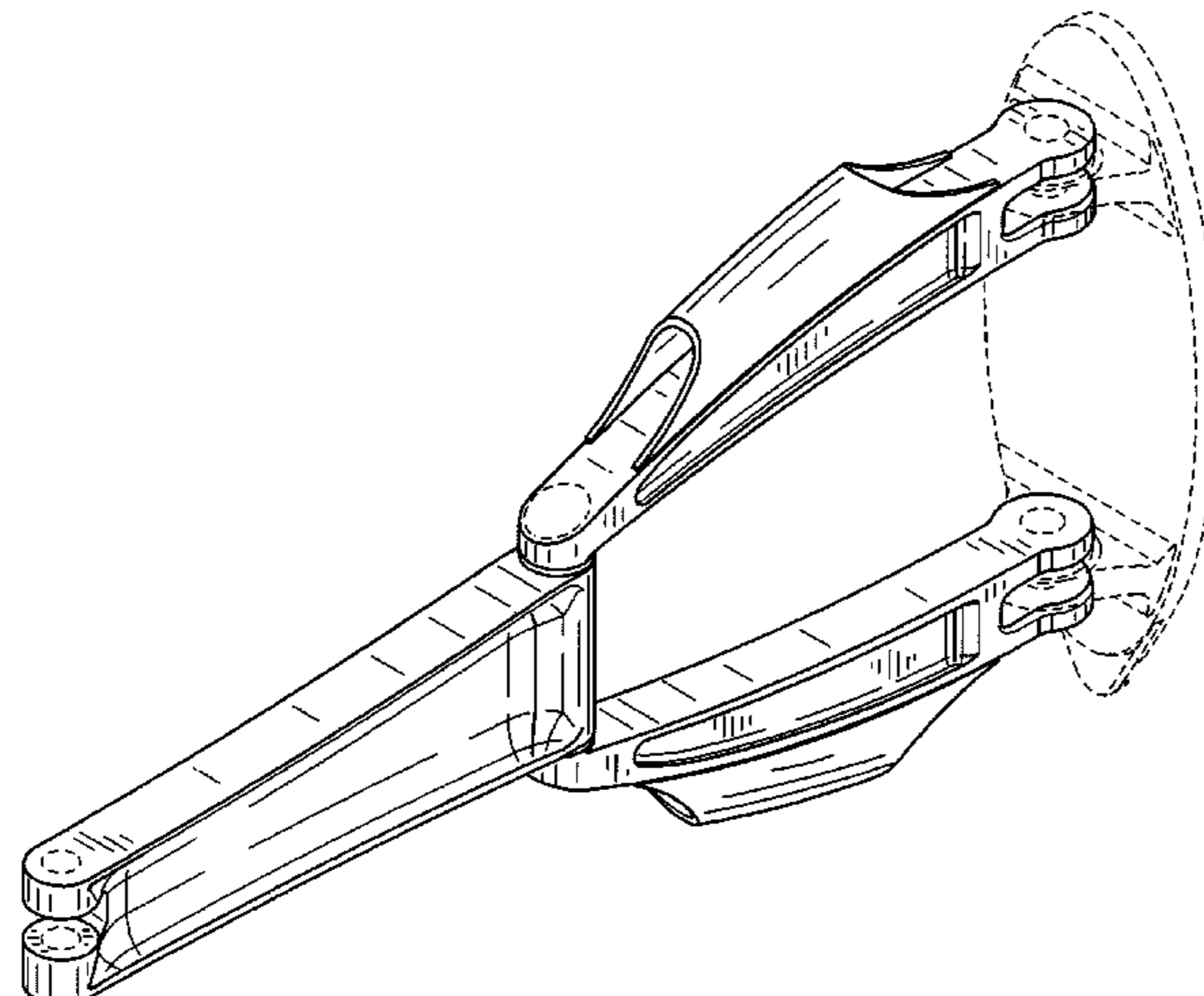
FIG. 7 is a bottom plan view thereof;

FIG. 8 is a front elevational view thereof; and,

FIG. 9 is a rear elevational view thereof.

The broken lines shown are for illustrative purposes only and form no part of the claimed design.

1 Claim, 7 Drawing Sheets



US D631,874 S

Page 2

U.S. PATENT DOCUMENTS

7,380,760 B2 6/2008 Dittmer
7,387,286 B2 6/2008 Dittmer et al.
7,438,269 B2 10/2008 Pfister et al.
D580,742 S * 11/2008 Short D8/363
D580,743 S * 11/2008 Short D8/363
7,448,584 B2 * 11/2008 Chen et al. 248/278.1
D581,916 S * 12/2008 Sculler et al. D14/239
D584,734 S * 1/2009 Chu D14/452
7,487,943 B1 2/2009 Gillespie
D587,716 S * 3/2009 Hau et al. D14/452
7,513,469 B1 4/2009 Ciungan
D595,723 S 7/2009 Bures et al.
D605,185 S 12/2009 Russell et al.
7,641,163 B2 1/2010 O'Keene

D611,479 S * 3/2010 Hau et al. D14/452
2008/0151483 A1 6/2008 Holbrook et al.

OTHER PUBLICATIONS

U.S. Appl. No. 29/358,120, filed Mar. 23, 2010, Molter et al.
U.S. Appl. No. 29/357,061, filed Mar. 5, 2010, Molter et al.
U.S. Appl. No. 29/357,037, filed Mar. 5, 2010, Molter et al.
U.S. Appl. No. 29/357,041, filed Mar. 5, 2010, Molter et al.
U.S. Appl. No. 29/358,151, filed Mar. 23, 2010, Molter et al.
U.S. Appl. No. 29/358,138, filed Mar. 23, 2010, Molter et al.
U.S. Appl. No. 29/358,154, filed Mar. 23, 2010, Molter et al.
U.S. Appl. No. 29/358,110, filed Mar. 23, 2010, Molter et al.
U.S. Appl. No. 29/358,109, filed Mar. 23, 2010, Molter et al.

* cited by examiner

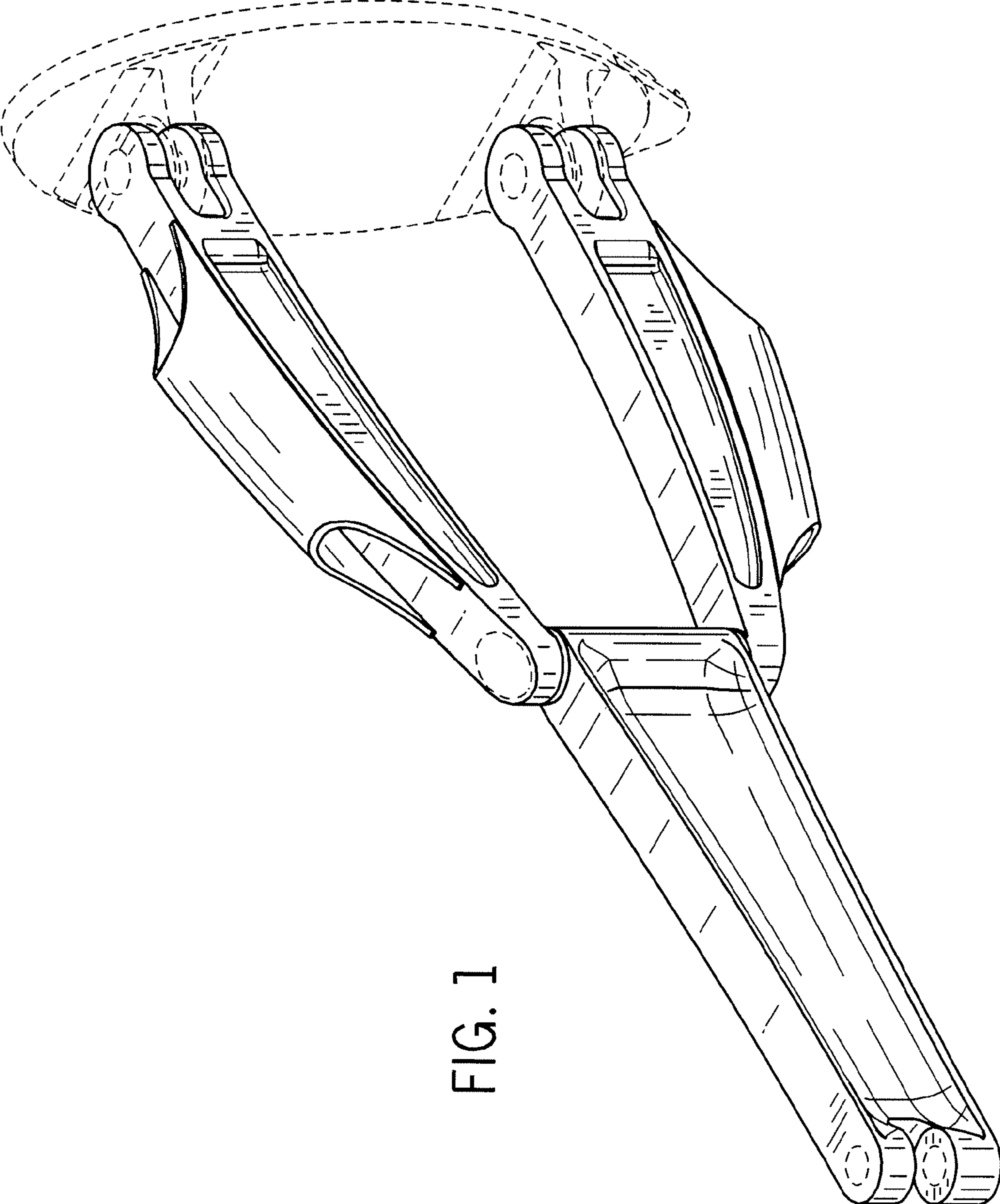


FIG. 1

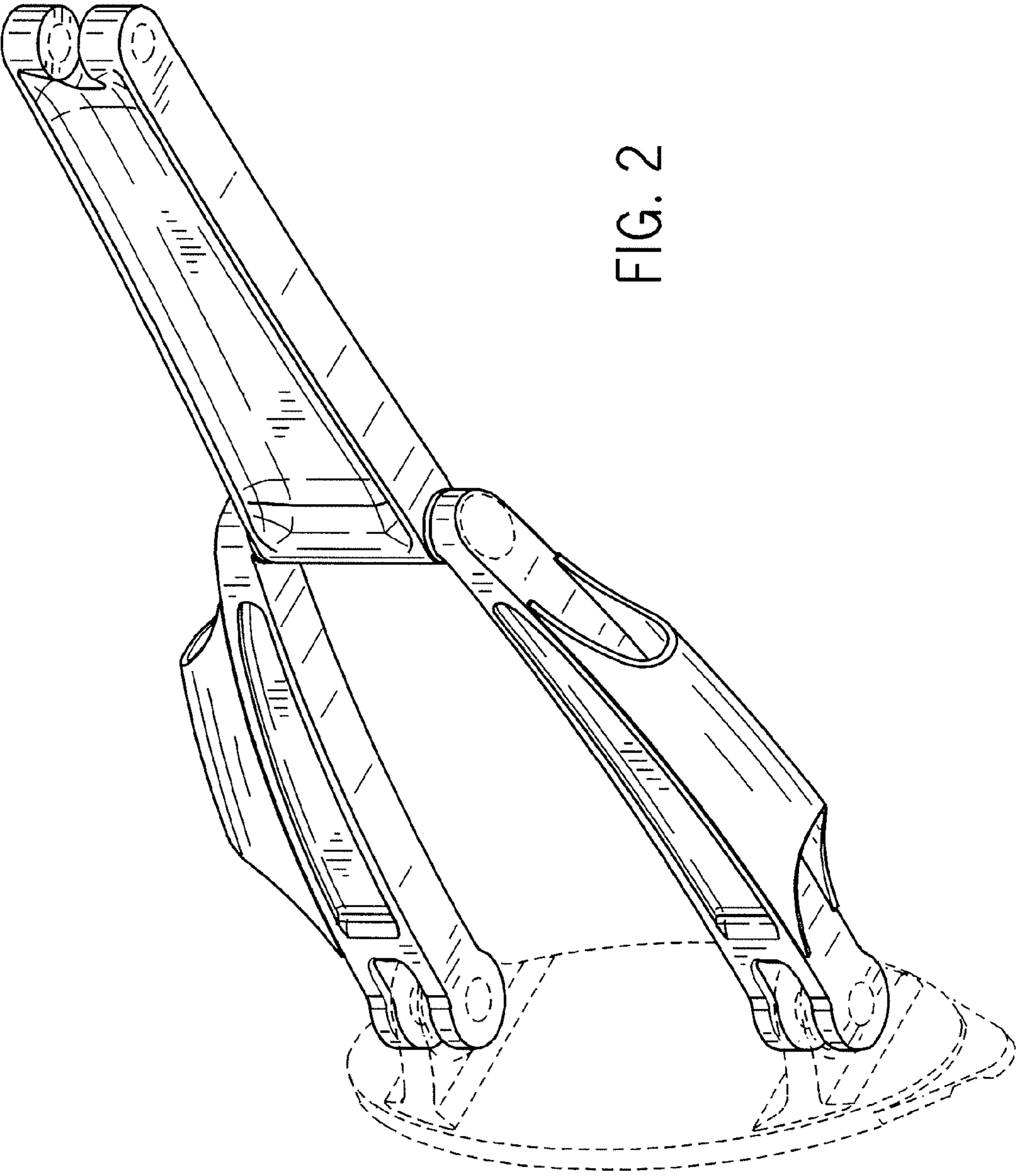


FIG. 2

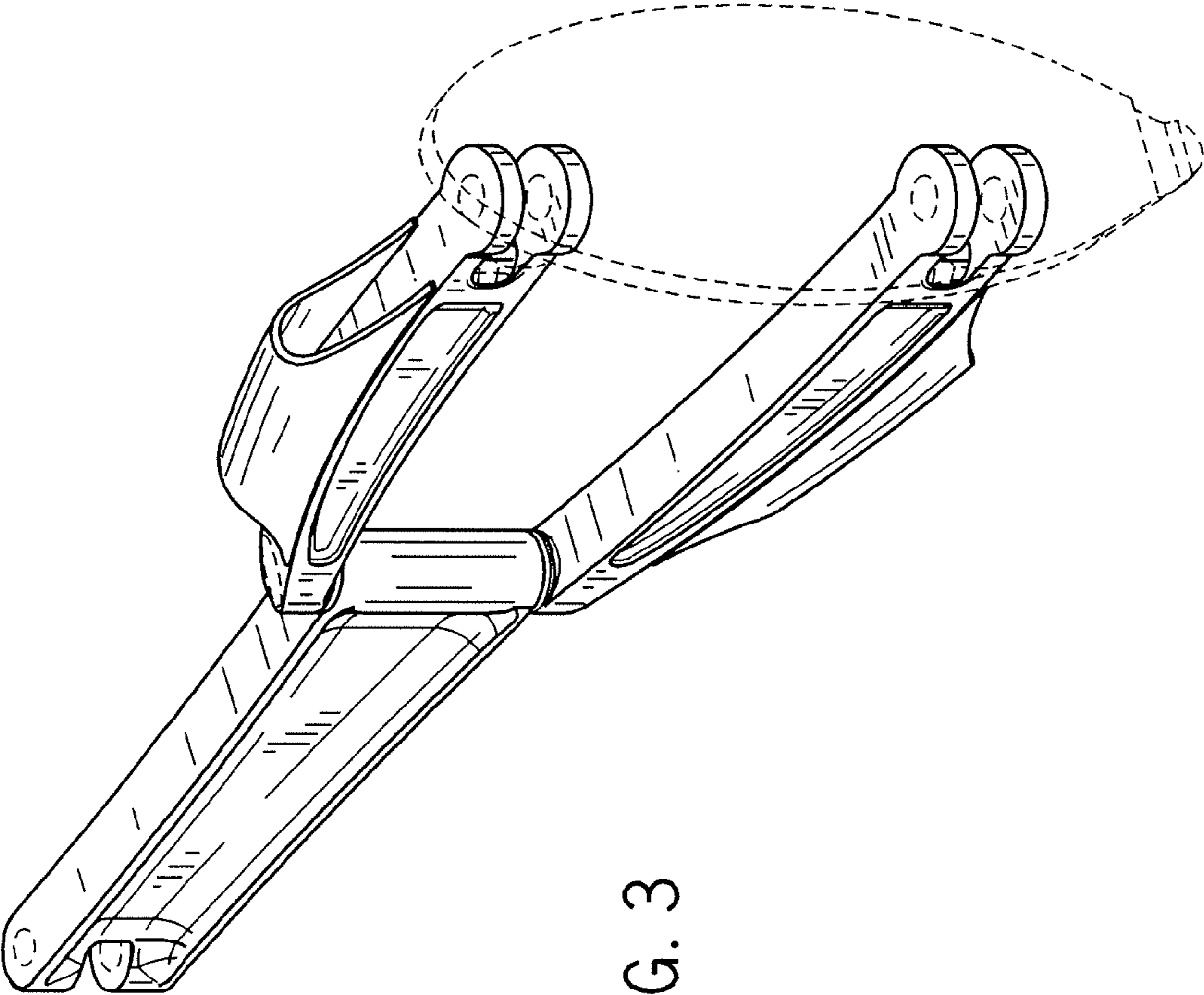


FIG. 3

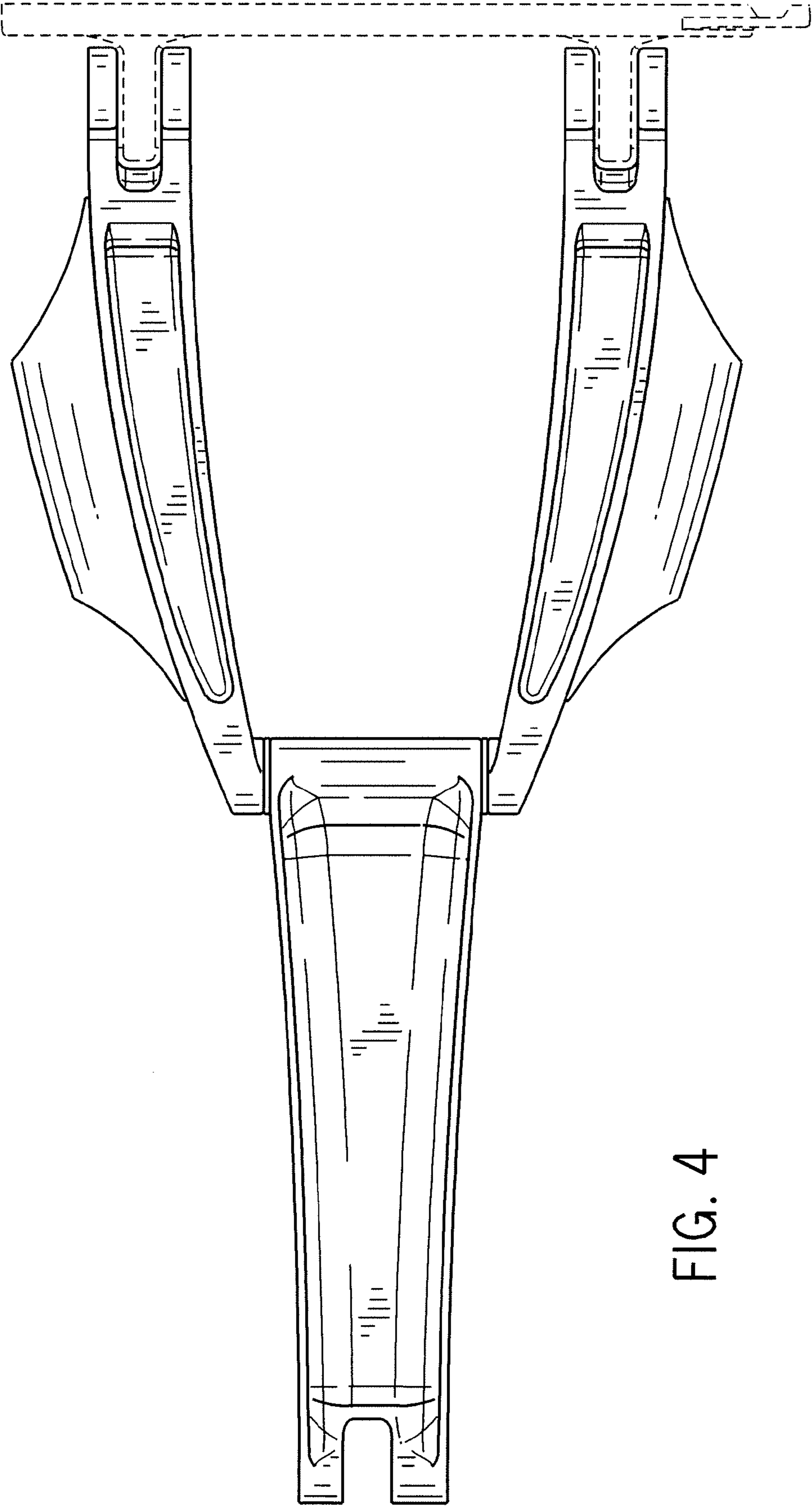


FIG. 4

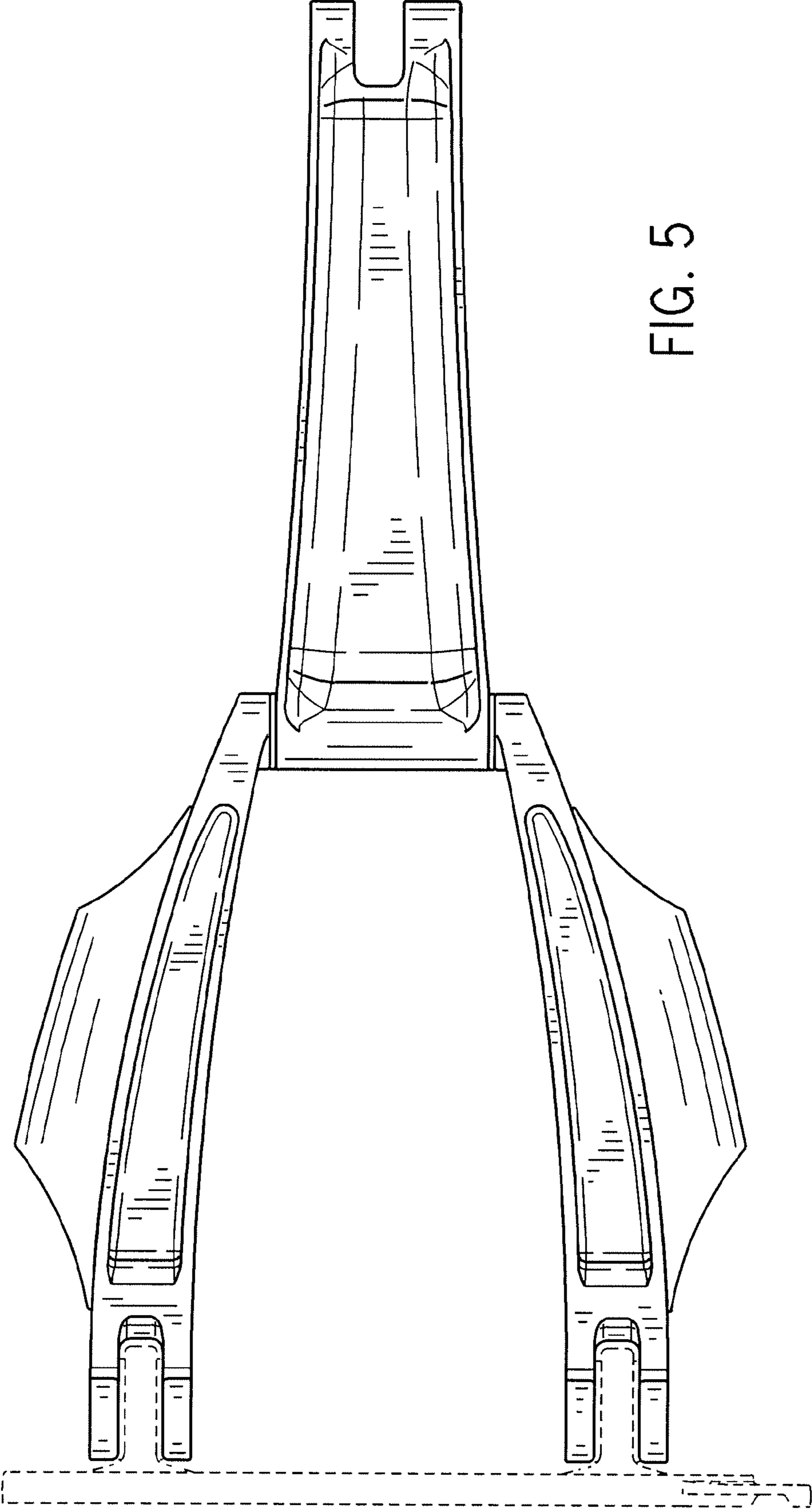


FIG. 5

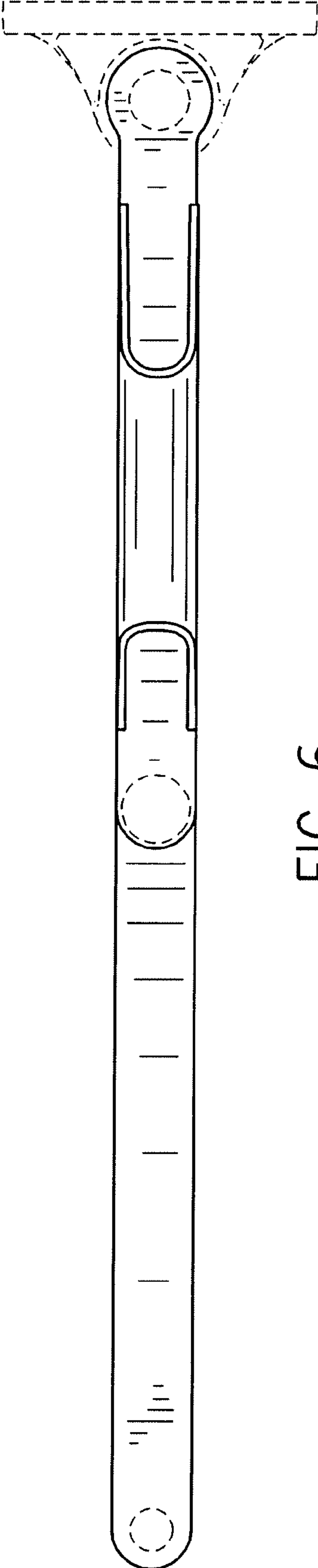


FIG. 6

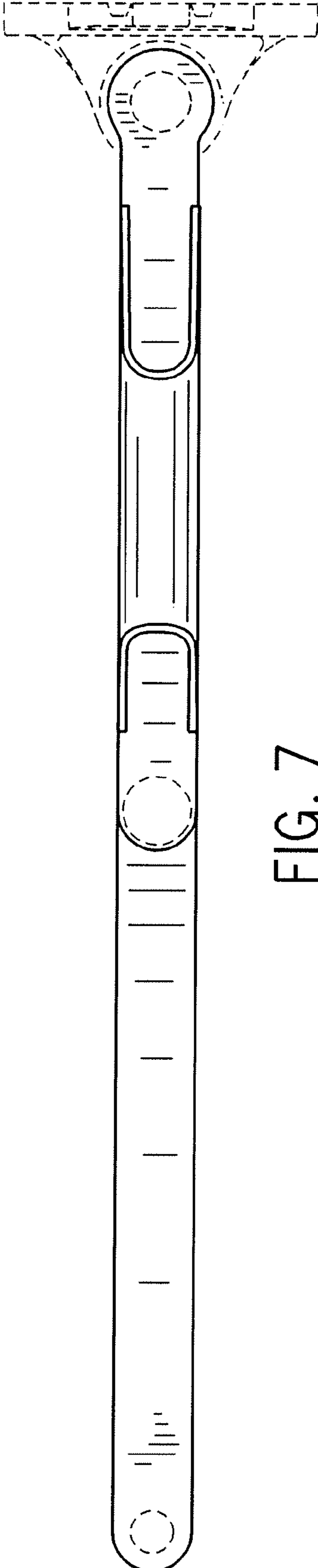


FIG. 7

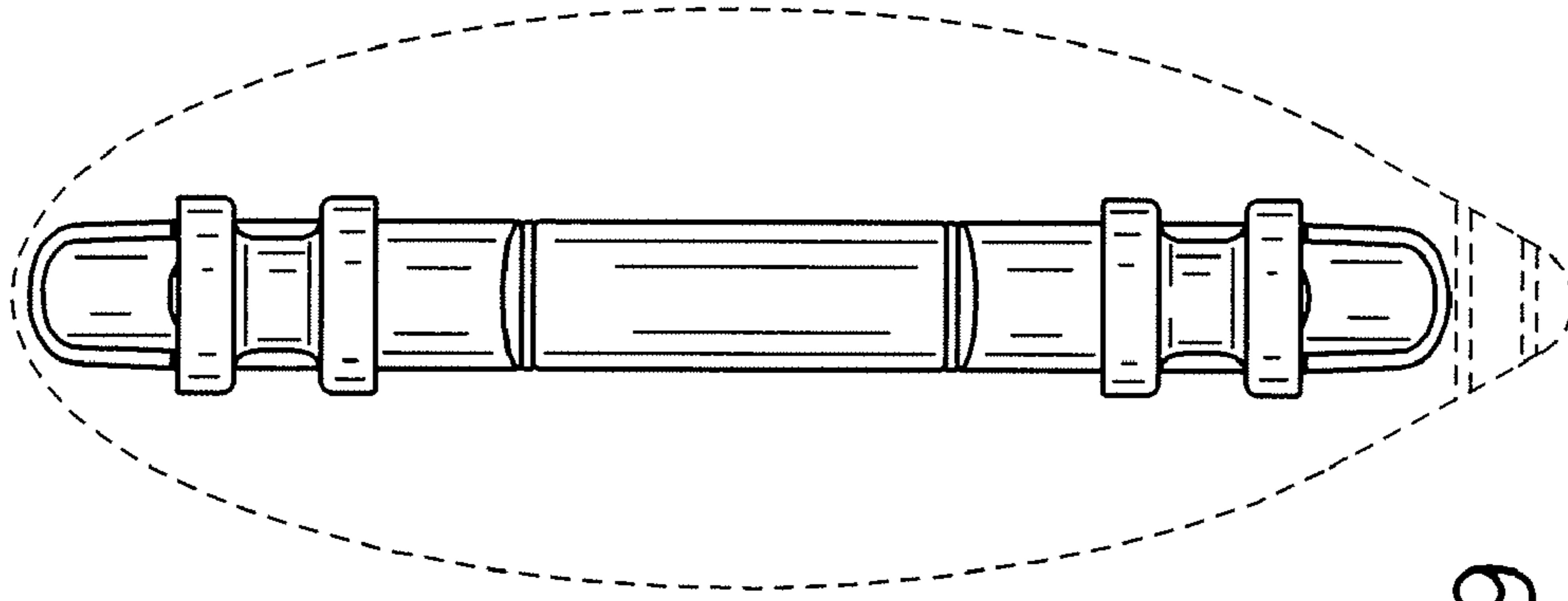


FIG. 9

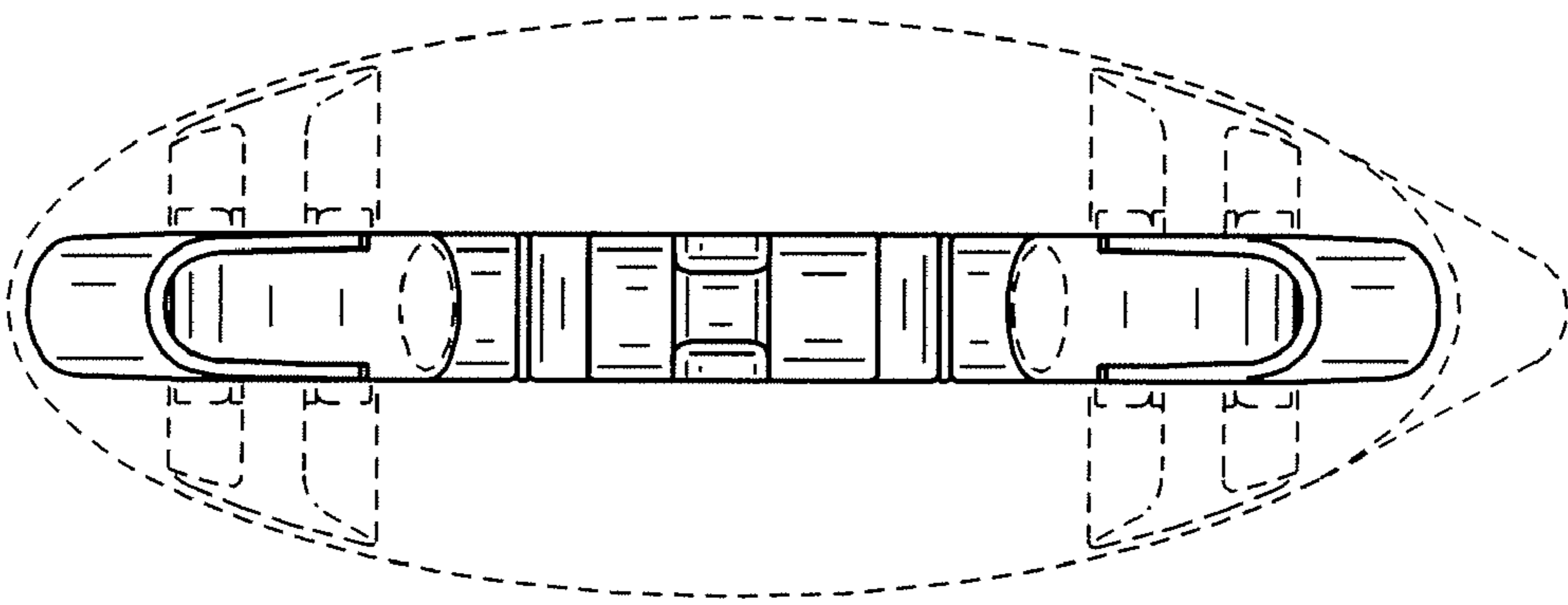


FIG. 8