



US00D631872S

(12) **United States Design Patent**
Sala et al.

(10) **Patent No.:** **US D631,872 S**
(45) **Date of Patent:** **** Feb. 1, 2011**

(54) **ANTENNA ENCLOSURE**

(75) Inventors: **Jack Harry Sala**, Reno, NV (US);
Forrest D. Wolf, Reno, NV (US)

(73) Assignee: **Pinyon Technologies, Inc.**, Reno, NV
(US)

(**) Term: **14 Years**

(21) Appl. No.: **29/361,359**

(22) Filed: **May 10, 2010**

(51) **LOC (9) Cl.** **14-03**

(52) **U.S. Cl.** **D14/230**

(58) **Field of Classification Search** D14/230–238,
D14/240, 299; 343/700 R, 840, 841, 908;
455/3.02, FOR. 215, 575.2

See application file for complete search history.

(56) **References Cited**

U.S. PATENT DOCUMENTS

2,946,883	A *	7/1960	Beever et al.	343/905
D375,327	S *	11/1996	Shigemura et al.	D14/433
D384,036	S *	9/1997	Janci	D13/144
D404,037	S *	1/1999	Gomez et al.	D14/240
D414,797	S *	10/1999	Pollaro	D17/8
6,116,960	A *	9/2000	Lloyd et al.	439/668
D433,019	S *	10/2000	Lee	D14/352
D434,374	S *	11/2000	Ko	D13/123
D453,331	S *	2/2002	Probasco et al.	D14/240
D454,861	S *	3/2002	Jones et al.	D14/230
D486,849	S *	2/2004	Friedricks et al.	D16/237
D496,653	S *	9/2004	Townsend et al.	D14/240
D503,152	S *	3/2005	Suckle et al.	D13/154
D509,822	S *	9/2005	Schwimmer et al.	D14/204
D525,239	S *	7/2006	Lai	D14/230

D577,715	S *	9/2008	Lim et al.	D14/240
D614,610	S *	4/2010	Sala et al.	D14/230
D622,267	S *	8/2010	Tong et al.	D14/240

* cited by examiner

Primary Examiner—Celia A Murphy

Assistant Examiner—John Windmuller

(74) *Attorney, Agent, or Firm*—Holland & Hart, LLP

(57) **CLAIM**

The ornamental design for an antenna enclosure, as shown and described.

DESCRIPTION

FIG. 1 is a perspective view of an antenna enclosure showing our new design;

FIG. 2 is a right side view of the antenna enclosure as shown in FIG. 1;

FIG. 3 is a left side view of the antenna enclosure as shown in FIG. 1;

FIG. 4 is a bottom view of the antenna enclosure as shown in FIG. 1;

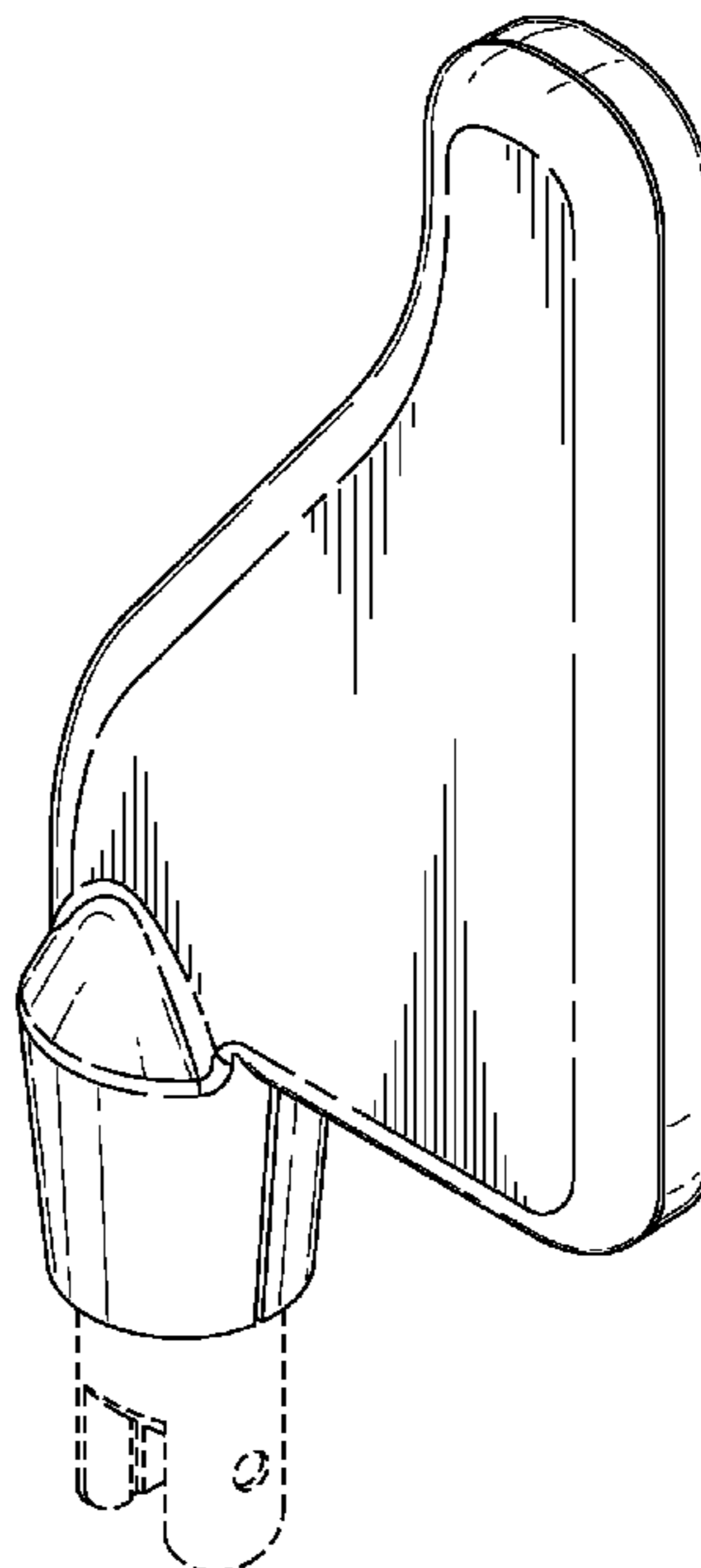
FIG. 5 is a top view of the antenna enclosure as shown in FIG. 1;

FIG. 6 is a front view of the antenna enclosure as shown in FIG. 1; and,

FIG. 7 is a rear view of the antenna enclosure as shown in FIG. 1.

The broken lines showing an exemplary connector to which the antenna enclosure may be coupled are included for the purpose of illustrating an environment of the antenna enclosure and form no part of the claimed design.

1 Claim, 4 Drawing Sheets



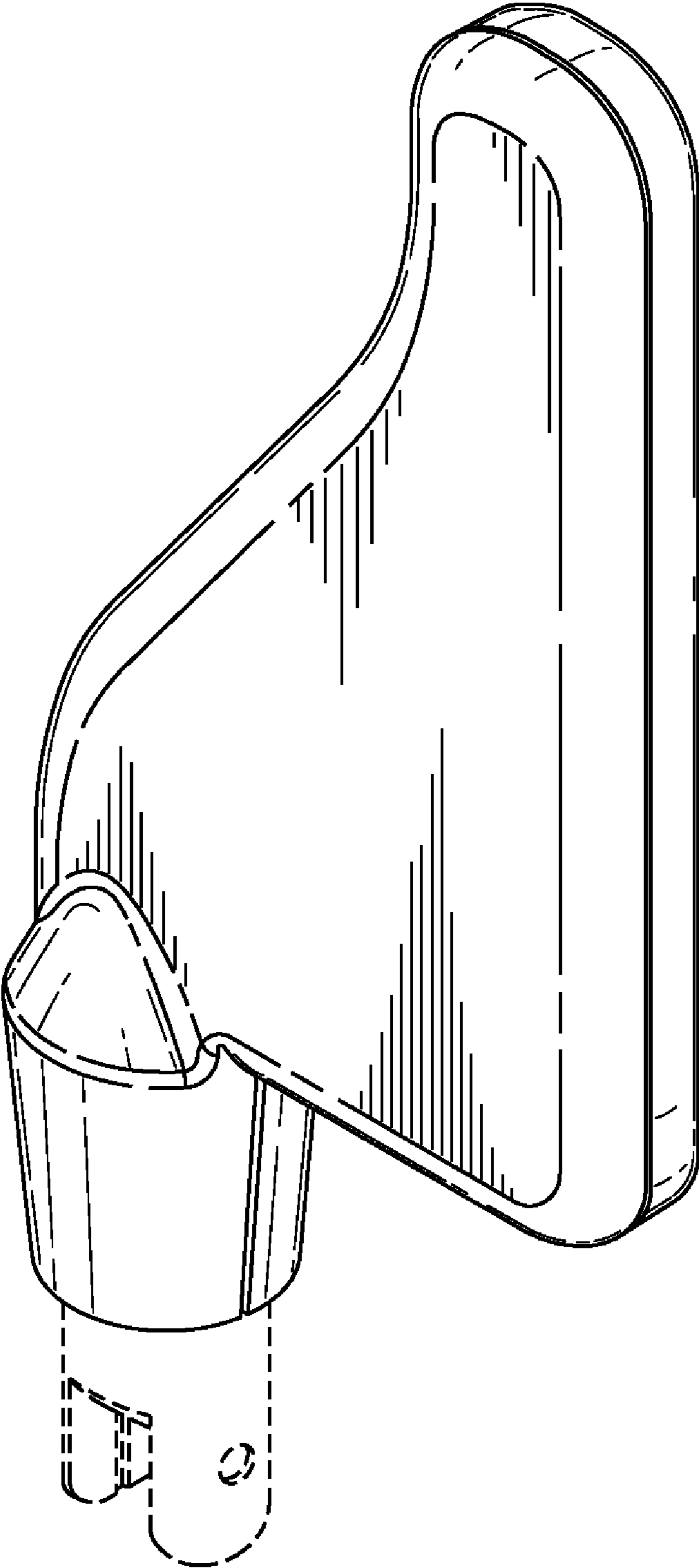


FIG. 1

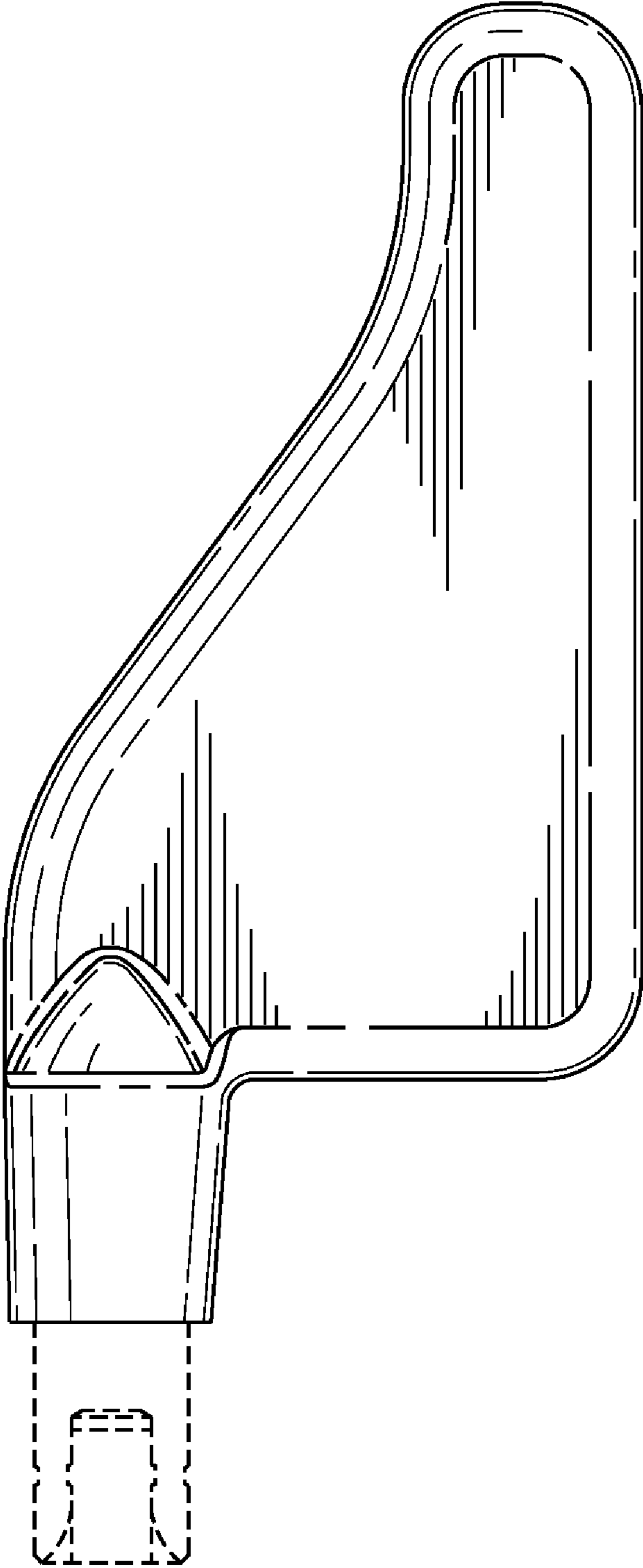


FIG. 2

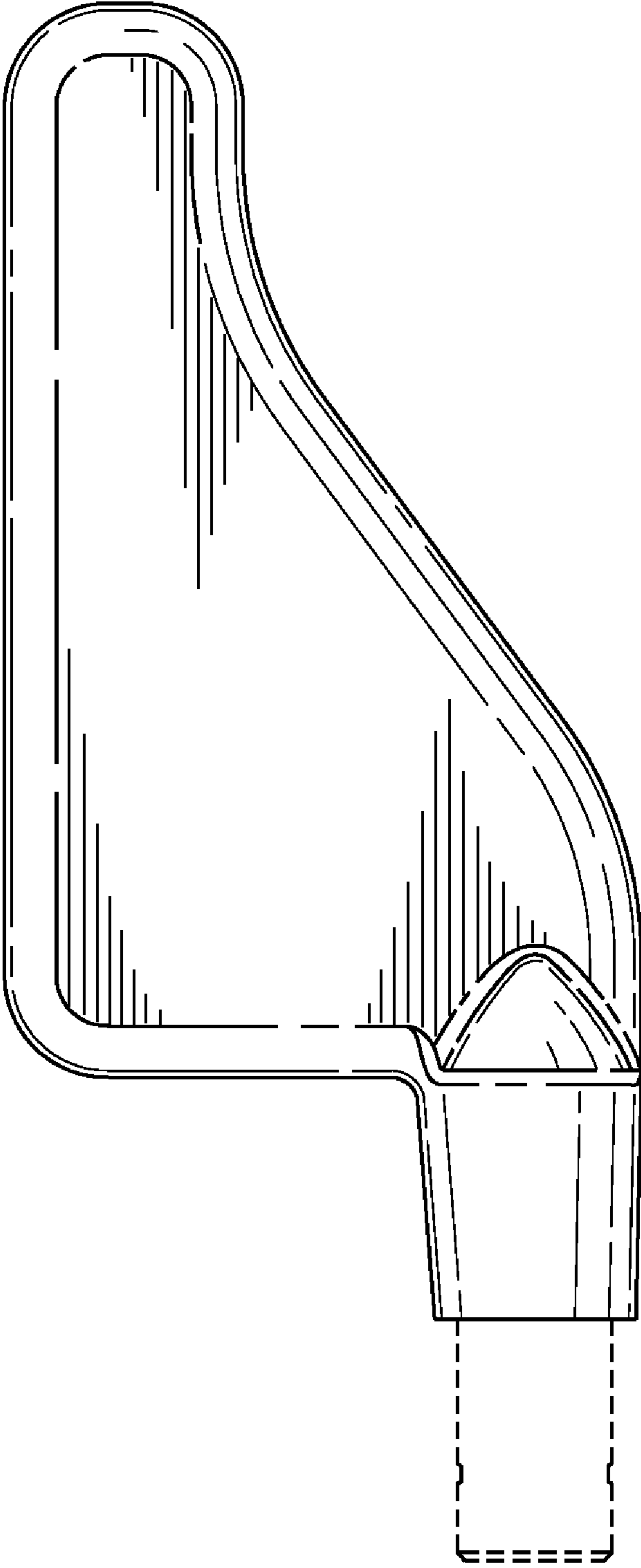


FIG. 3

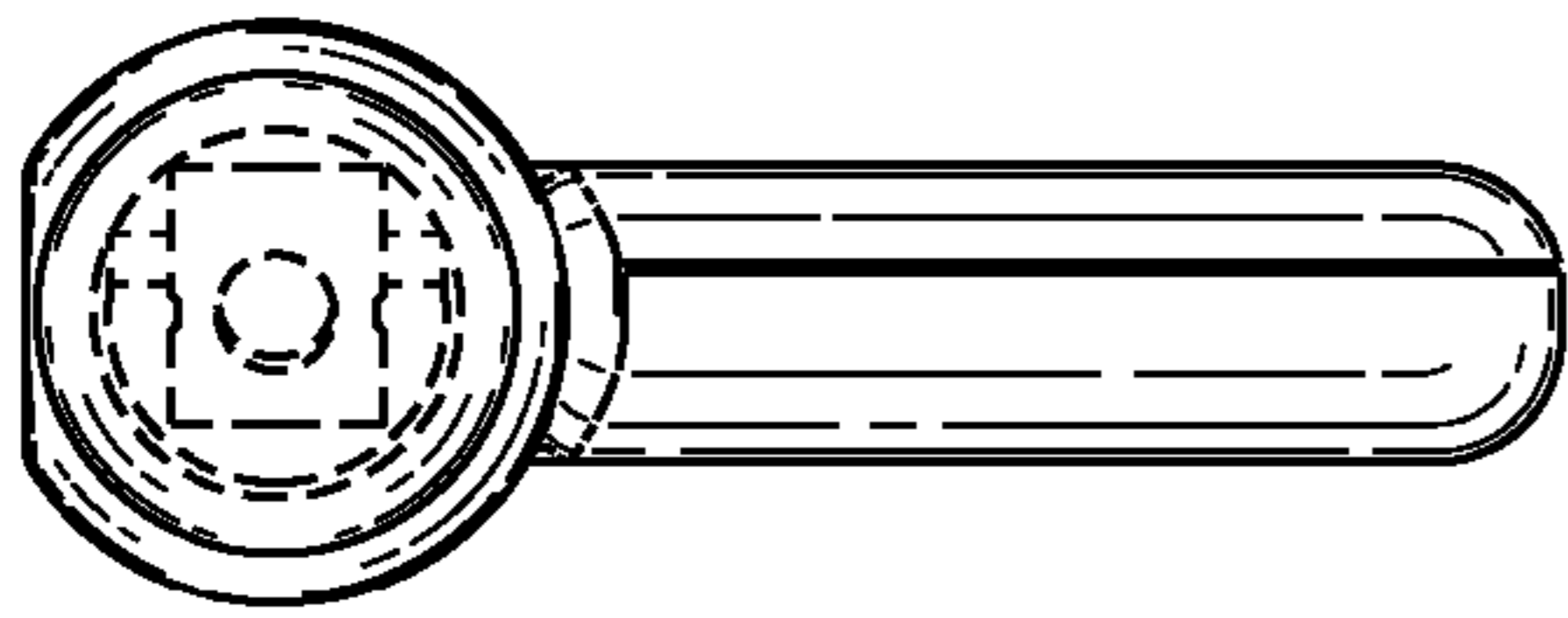


FIG. 4

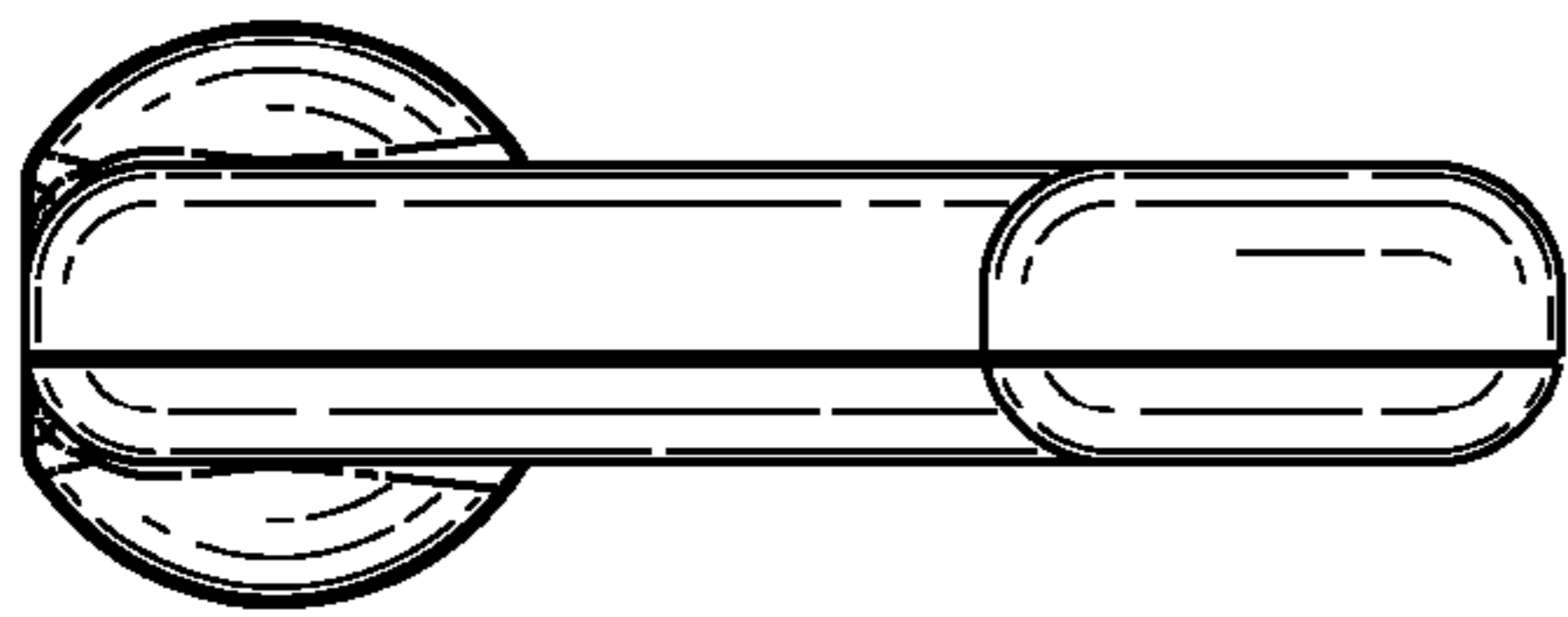


FIG. 5

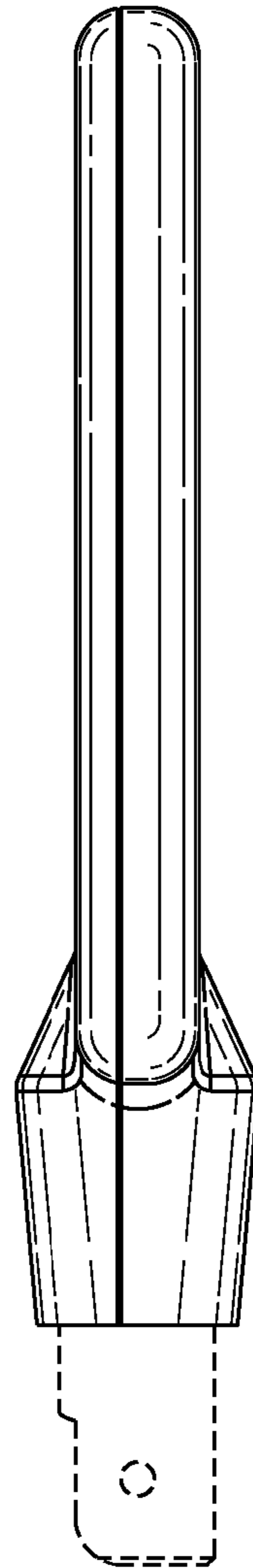


FIG. 6

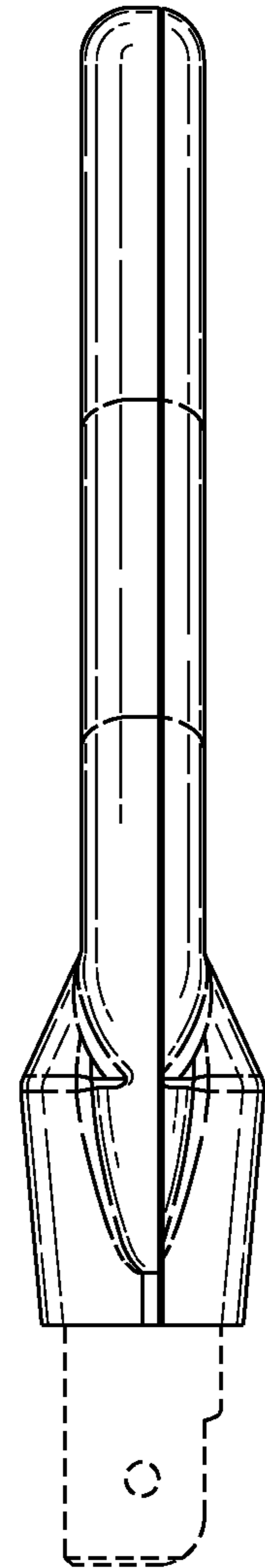


FIG. 7