



US00D631870S

(12) **United States Design Patent**
Nikiforov et al.

(10) **Patent No.:** **US D631,870 S**
(45) **Date of Patent:** **** Feb. 1, 2011**

(54) **APPLE SHAPED ELECTRONIC REMOTE**

(76) Inventors: **Maxim Ilyich Nikiforov**, 62 Tarilkista
Khrustitskogo St. #40, St. Petersburg
(RU) 108217; **Ilya Viktorovich**
Nikiforov, 62 Tarilkista Khrustitskogo
St. #40, St. Petersburg (RU) 108217

(**) Term: **14 Years**

(21) Appl. No.: **29/337,606**

(22) Filed: **May 27, 2009**

(51) **LOC (9) Cl.** **14-03**

(52) **U.S. Cl.** **D14/218**

(58) **Field of Classification Search** D14/218,
D14/455; D13/168; D21/566; D10/104,
D10/106; 345/169; 348/14.05, 114, 211.99,
348/734; 340/825.24; 341/22; 455/92, 95,
455/128, 151.1–151.4, 352, 355, FOR. 121;
700/65

See application file for complete search history.

(56) **References Cited**

U.S. PATENT DOCUMENTS

RE15,641 E *	7/1923	Emery	428/21
D208,639 S *	9/1967	Strauss	D21/628
D281,686 S *	12/1985	Rivette et al.	D14/143
D292,095 S *	9/1987	Yoshiharu	D14/143
D299,992 S *	2/1989	Michel	D7/539
D347,761 S *	6/1994	Arroyo	D7/510
D366,875 S *	2/1996	Kakizaki	D14/218
D397,336 S *	8/1998	Woodworth	D14/126
D412,426 S *	8/1999	Prissberg	D7/651
D423,297 S *	4/2000	Hansen	D7/606
D423,883 S *	5/2000	Hansen	D7/606
D431,097 S *	9/2000	Tamez	D28/67
D442,834 S *	5/2001	Perez	D7/628

D478,785 S *	8/2003	Rorke et al.	D7/628
D506,351 S *	6/2005	Scholze et al.	D7/360
D512,582 S *	12/2005	Scholze et al.	D7/392.1
D582,158 S *	12/2008	Nathanson	D3/271.1
D594,423 S *	6/2009	Glassman et al.	D13/168
D600,216 S *	9/2009	Glassman et al.	D13/168
D610,667 S *	2/2010	Espiritu, Jr.	D23/367
D614,452 S *	4/2010	Ablo	D7/628
D619,120 S *	7/2010	Nikiforov et al.	D14/218

* cited by examiner

Primary Examiner—Celia A Murphy
Assistant Examiner—John Windmuller

(57) **CLAIM**

The ornamental design for an apple shaped electronic remote, as shown and described.

DESCRIPTION

FIG. 1 is a perspective illustration of the apple shaped electronic remote according to the invention;

FIG. 2 is a side elevation view of the apple shaped electronic remote according to the invention, the left side view and rear view being identical;

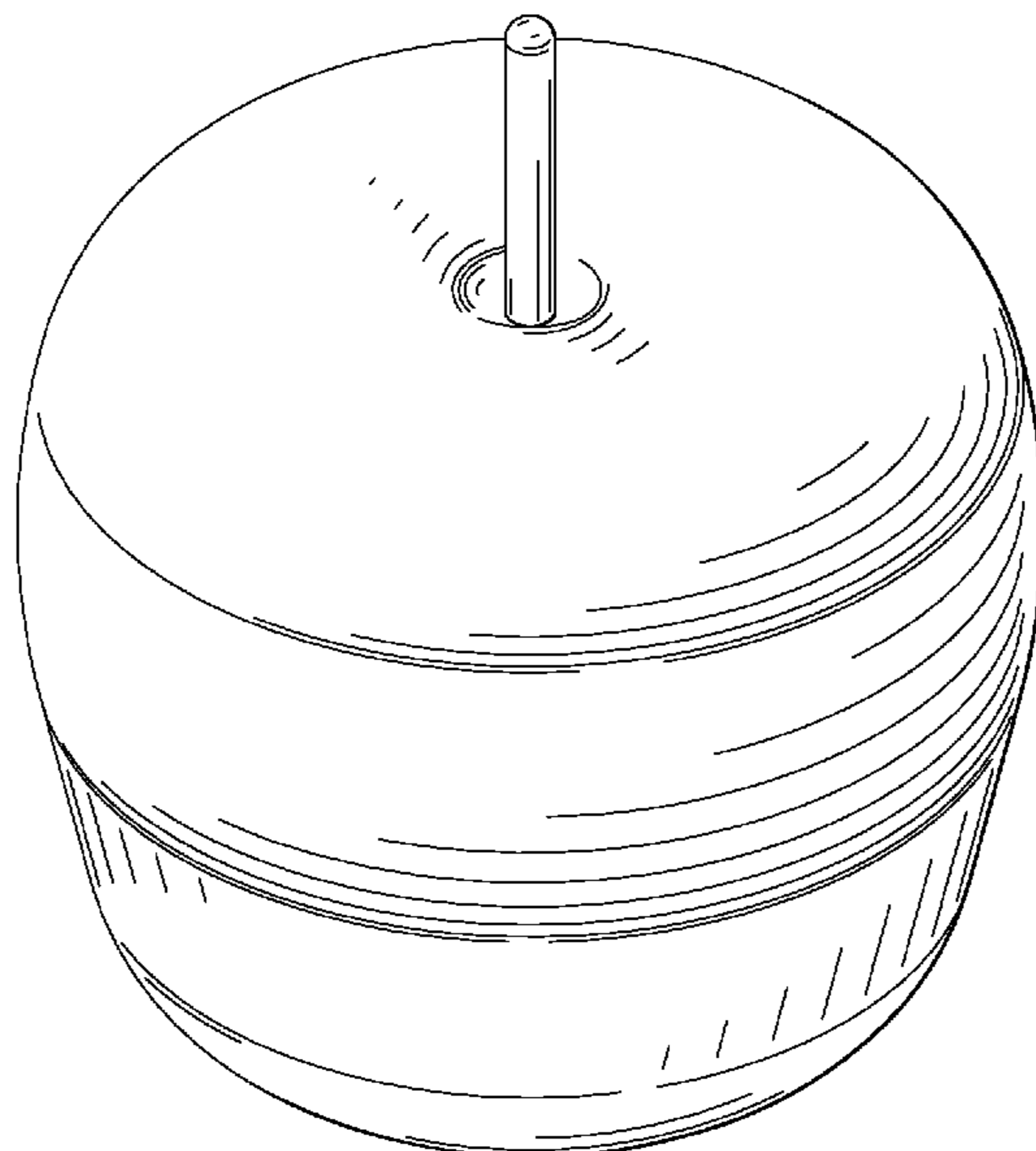
FIG. 3 is a top view of the apple shaped electronic remote according to the present invention;

FIG. 4 is a bottom view of the apple shaped electronic remote according to the present invention; and,

FIG. 5 is a perspective view of the apple shaped electronic remote according to the invention looking from below and slightly to one side.

In FIGS. 4 and 5 the broken line circle is a boundary between claimed and unclaimed subject matter; neither the circle nor the area within it forms any part of the claimed design.

1 Claim, 5 Drawing Sheets



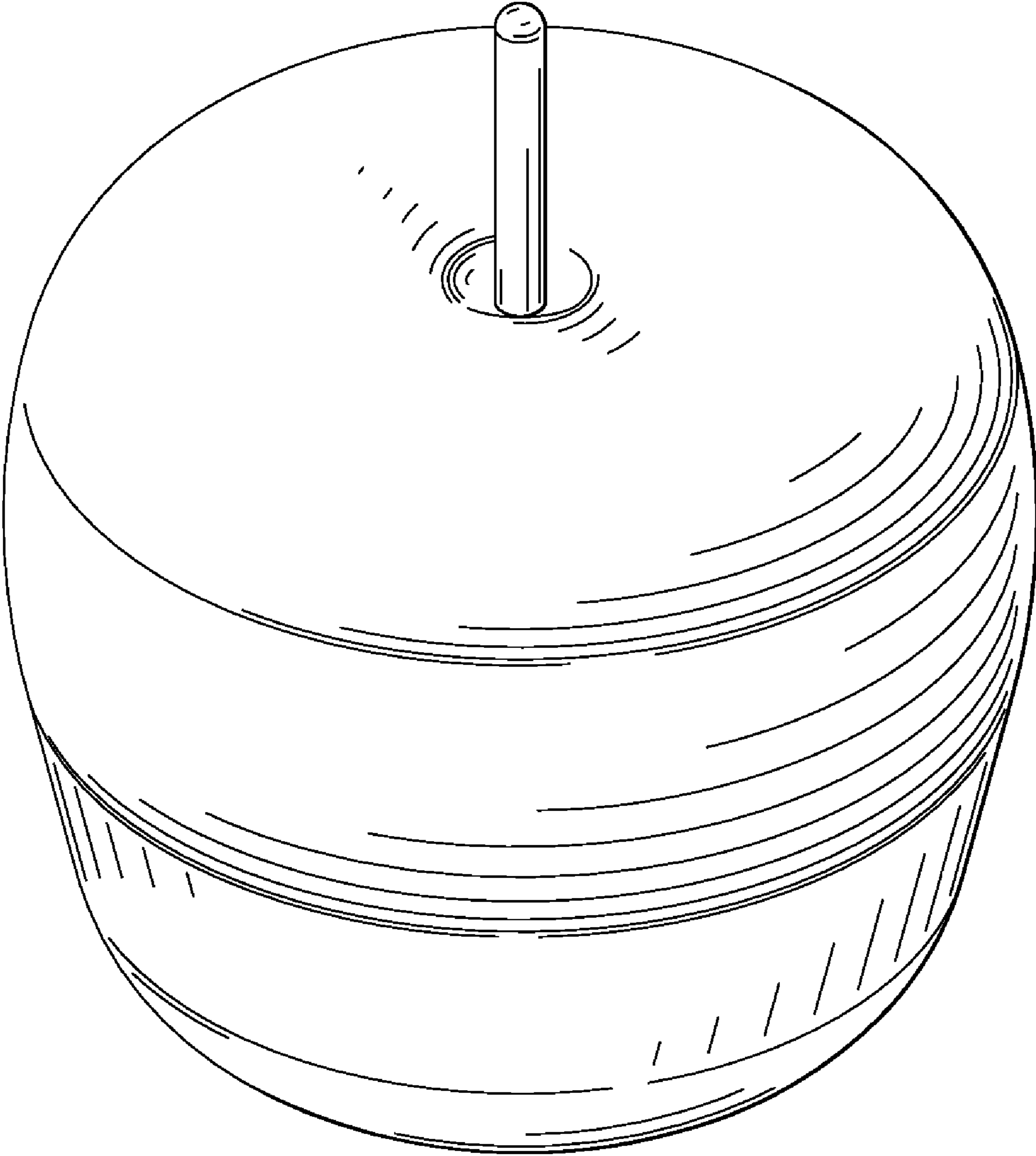


FIG. 1

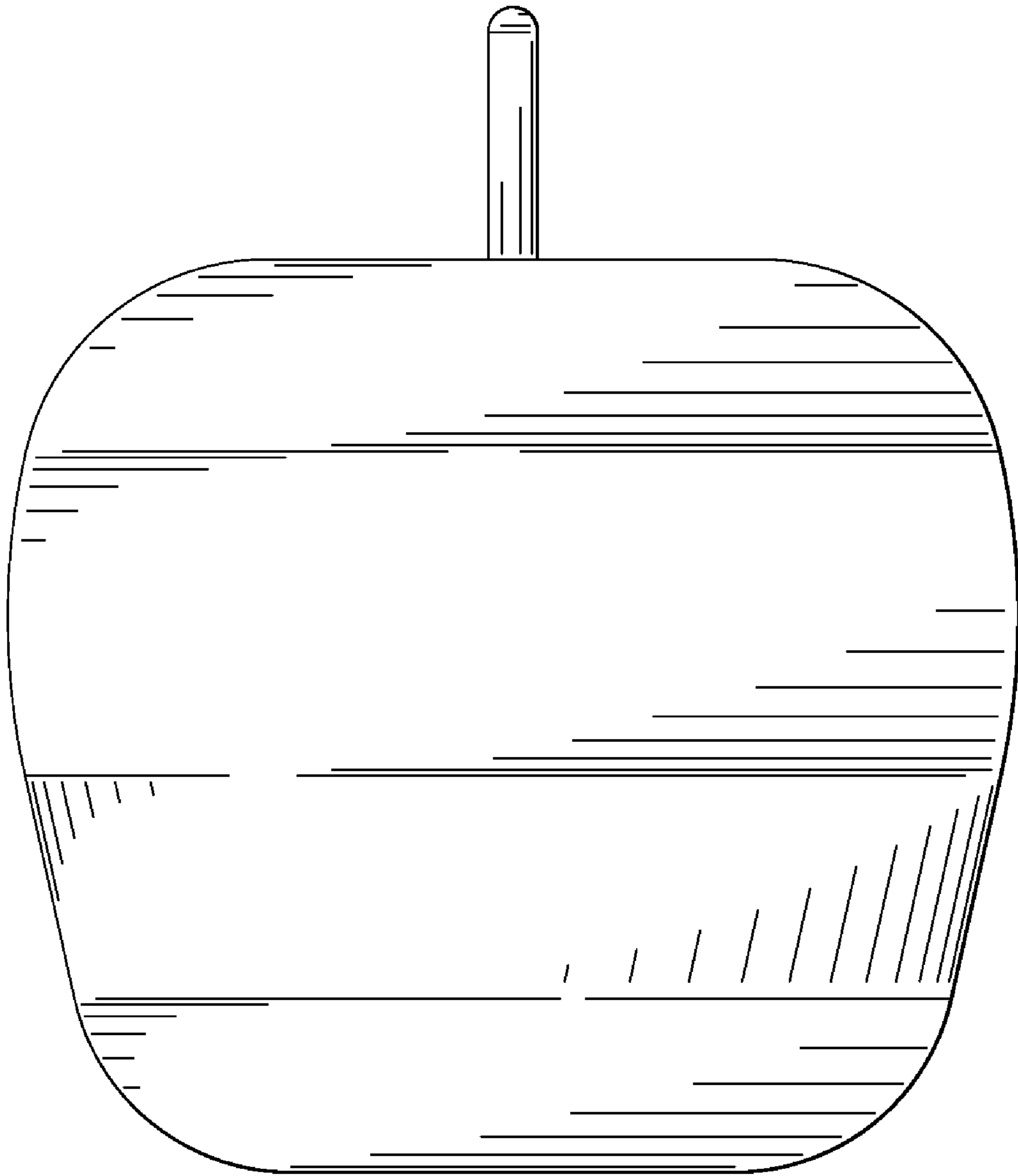


FIG. 2

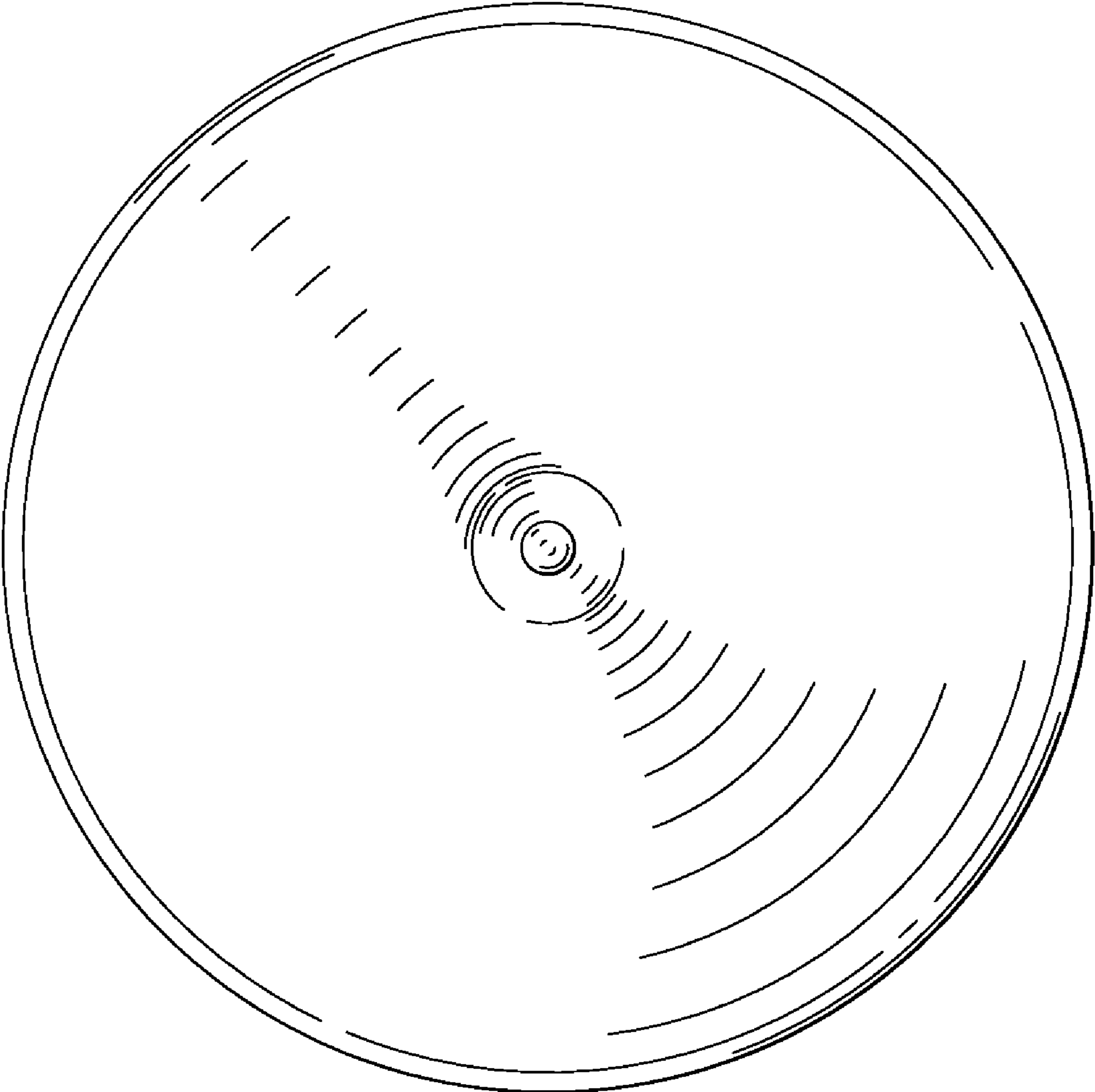


FIG. 3

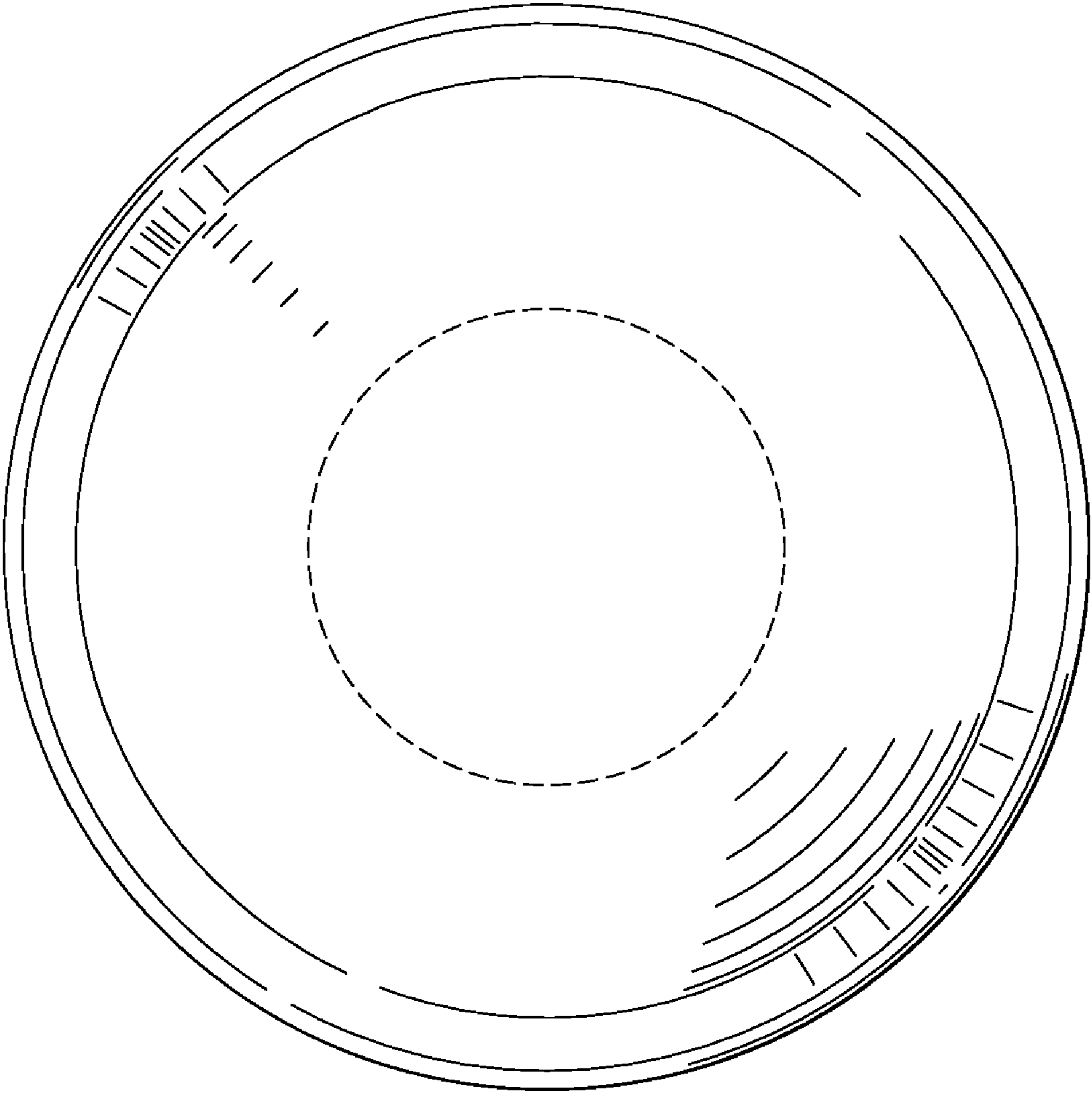


FIG. 4

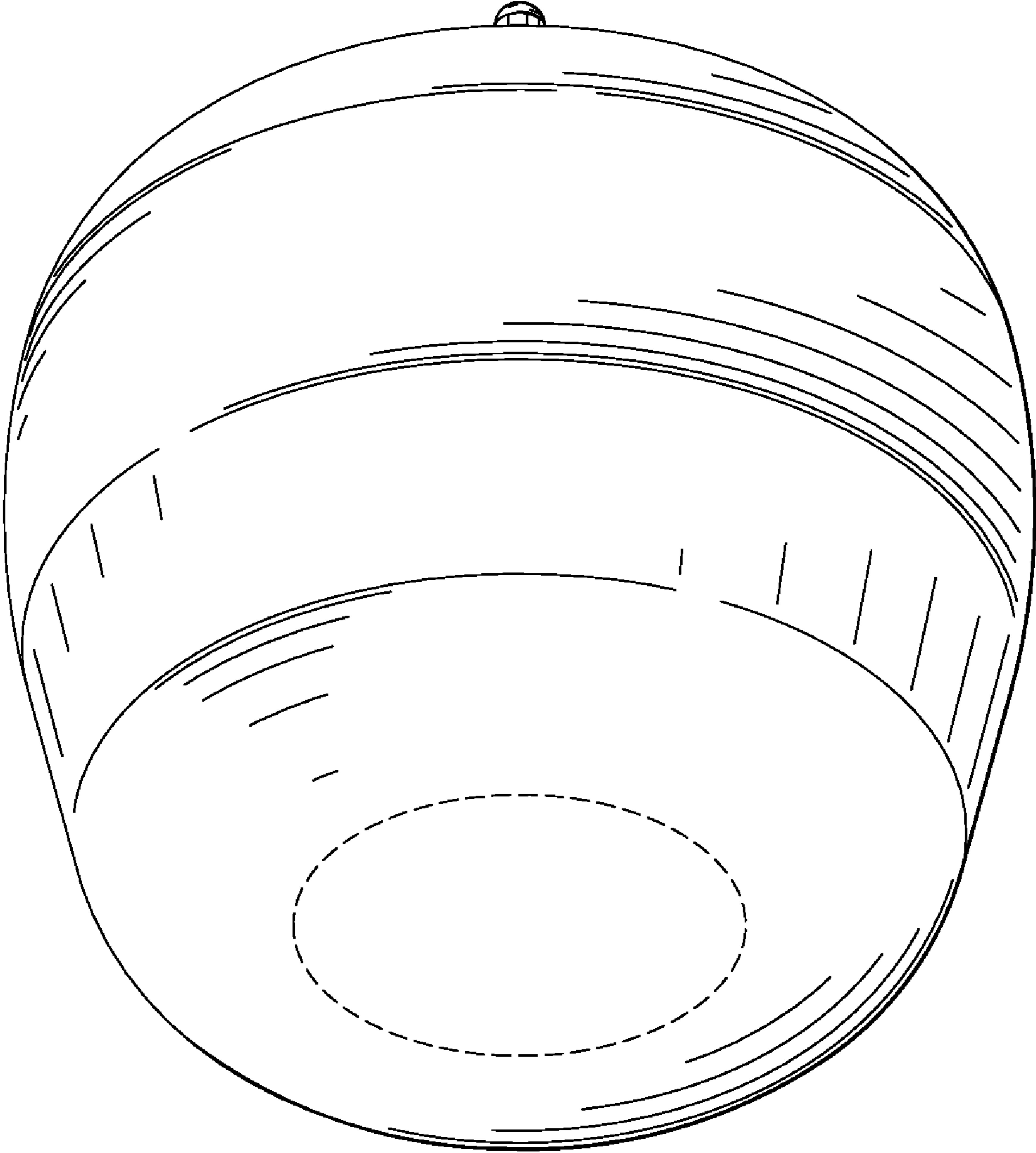


FIG. 5