



US00D631869S

(12) **United States Design Patent**  
**Yamamoto**

(10) **Patent No.:** **US D631,869 S**

(45) **Date of Patent:** **\*\* Feb. 1, 2011**

(54) **DOCK WITH USB PORT**

(75) **Inventor:** **Yasuhiro Yamamoto**, Los Angeles, CA (US)

(73) **Assignee:** **Ever Win International Corporation**, City of Industry, CA (US)

(\*\*) **Term:** **14 Years**

(21) **Appl. No.:** **29/348,830**

(22) **Filed:** **Feb. 12, 2010**

(51) **LOC (9) Cl.** ..... **14-02**

(52) **U.S. Cl.** ..... **D14/217**

(58) **Field of Classification Search** ..... D14/142, D14/149, 155, 157, 188, 191-193, 203.1-203.8, D14/217, 251, 253, 432-435.1, 447, 451, D14/496, 474, 480.1-480.7; D13/107, 108, D13/118; D3/218; 248/221.11, 309.1; 320/107, 320/110, 113-115; 361/600; 439/529, 534; 455/556.1-556.2, 557

See application file for complete search history.

(56) **References Cited**

**U.S. PATENT DOCUMENTS**

D375,080 S \* 10/1996 Sandor et al. .... D13/138.2  
D556,682 S \* 12/2007 Ahlgren et al. .... D13/108  
D557,209 S \* 12/2007 Ahlgren et al. .... D13/108

D574,375 S \* 8/2008 Prest et al. .... D14/253  
D595,223 S \* 6/2009 Yamamoto et al. .... D13/108  
D597,077 S \* 7/2009 Brandenburg ..... D14/217  
D611,415 S \* 3/2010 Andre et al. .... D13/138.1  
D619,128 S \* 7/2010 Tong et al. .... D14/240  
2007/0229025 A1 \* 10/2007 Tsai et al. .... 320/111

\* cited by examiner

*Primary Examiner*—Stella M Reid

*Assistant Examiner*—Keli L Hill

(74) *Attorney, Agent, or Firm*—Joe Nieh

(57) **CLAIM**

The ornamental design for a dock with USB port, as shown and described.

**DESCRIPTION**

FIG. 1 is a perspective view of a dock with USB port showing my new design;

FIG. 2 is another perspective view thereof;

FIG. 3 is a top view thereof;

FIG. 4 is a front view thereof;

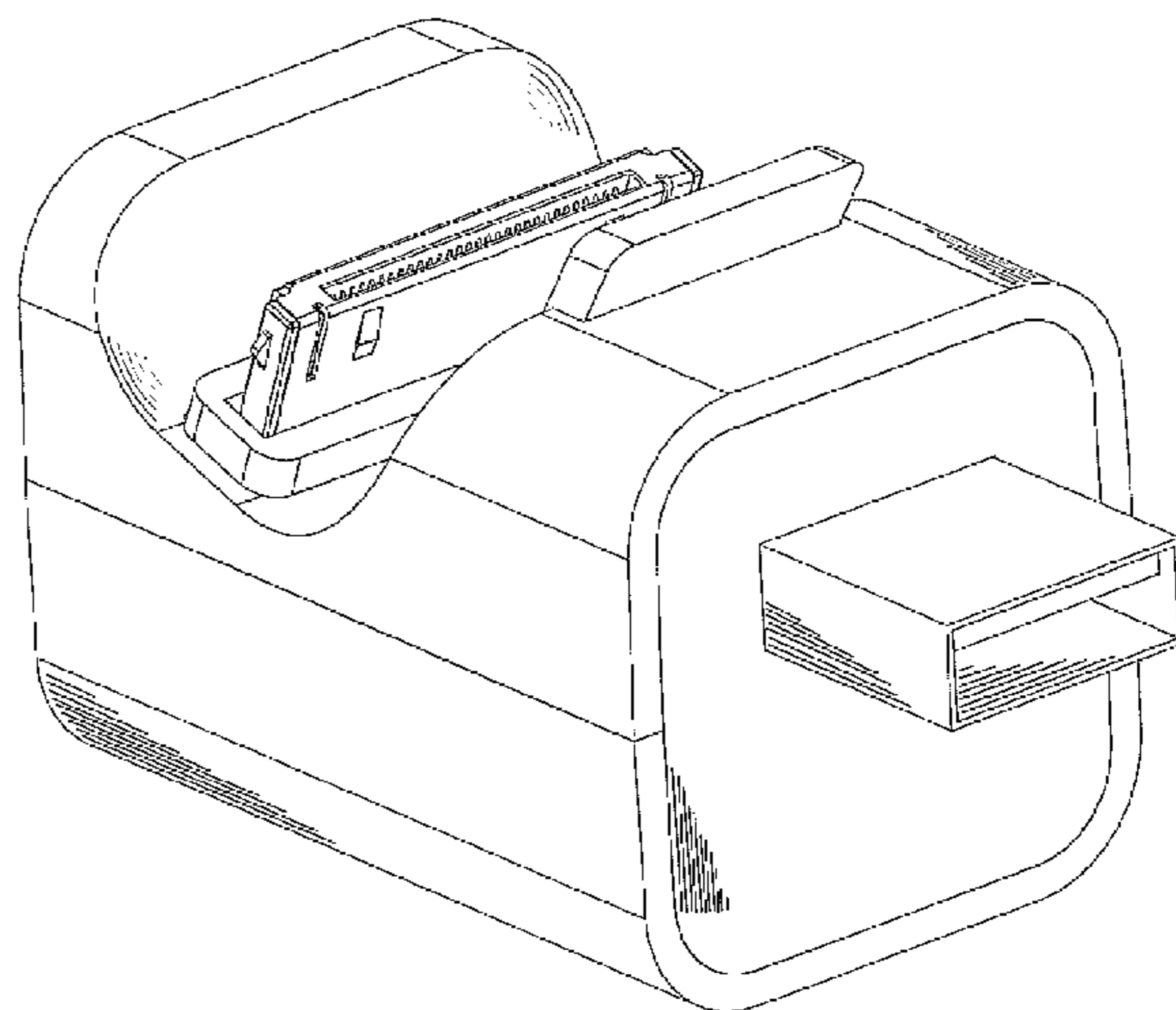
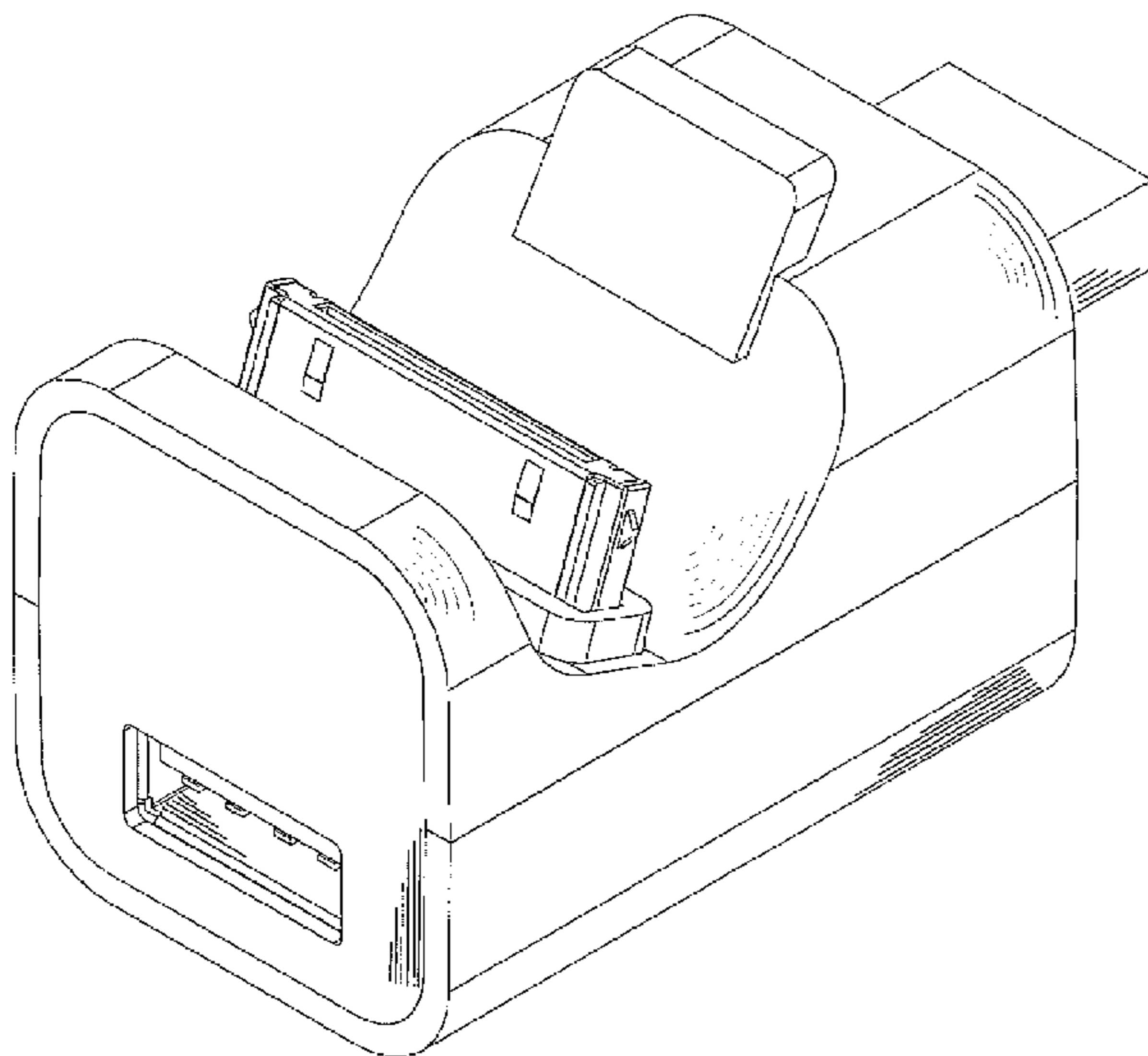
FIG. 5 is a bottom view thereof;

FIG. 6 is a left side view thereof;

FIG. 7 is a right side view thereof; and,

FIG. 8 is a back view thereof.

**1 Claim, 8 Drawing Sheets**



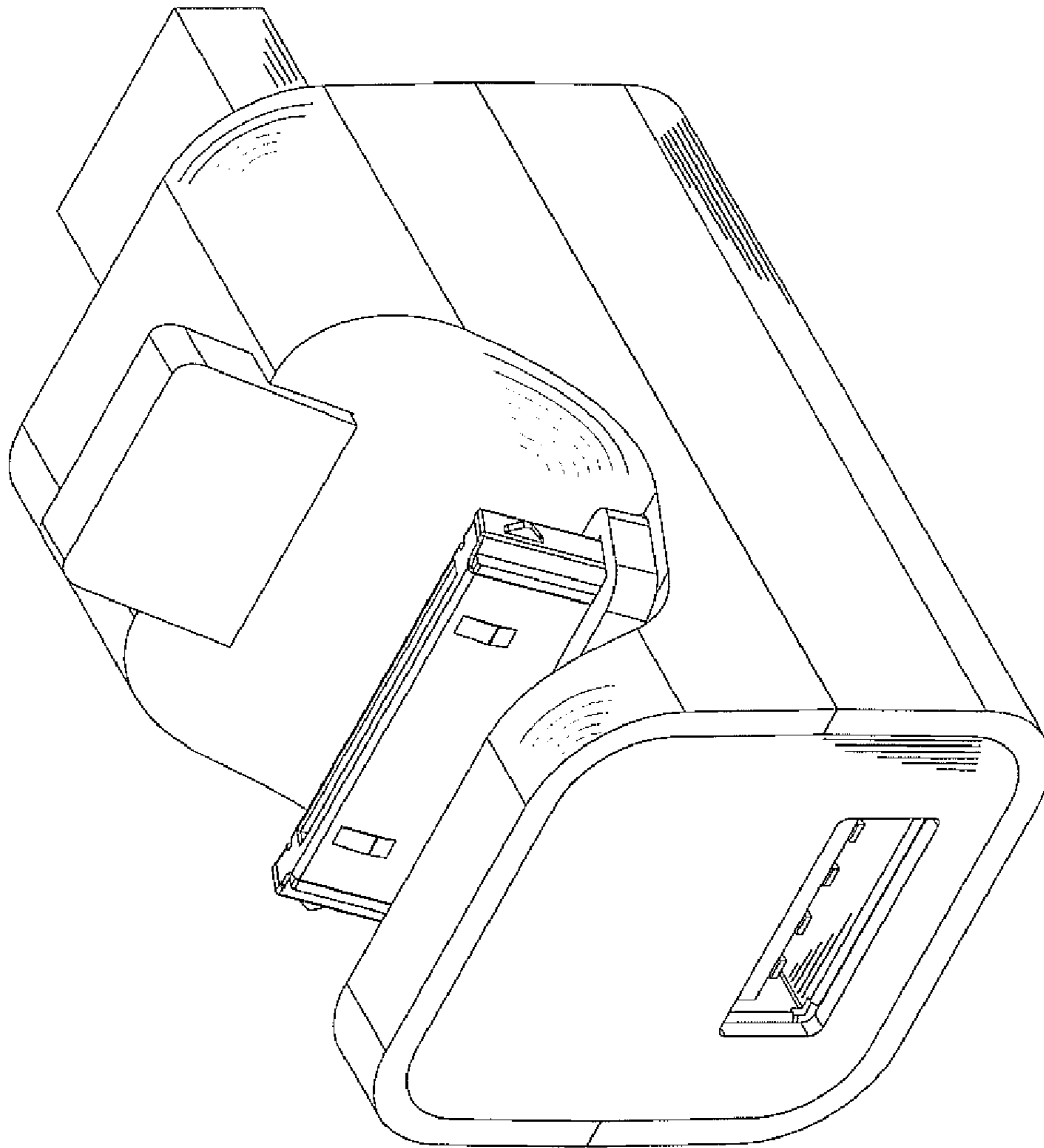


Fig. 1

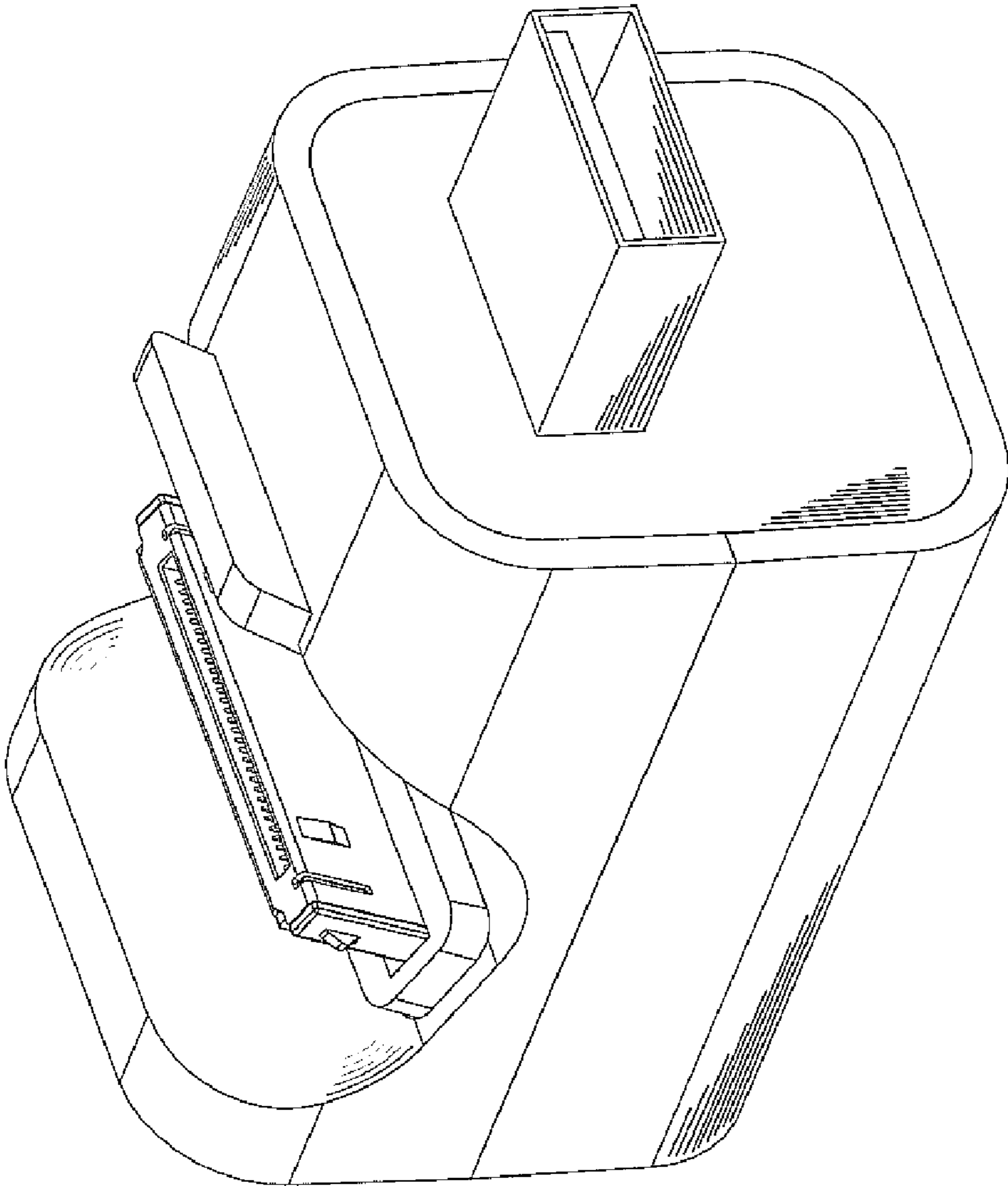


Fig. 2

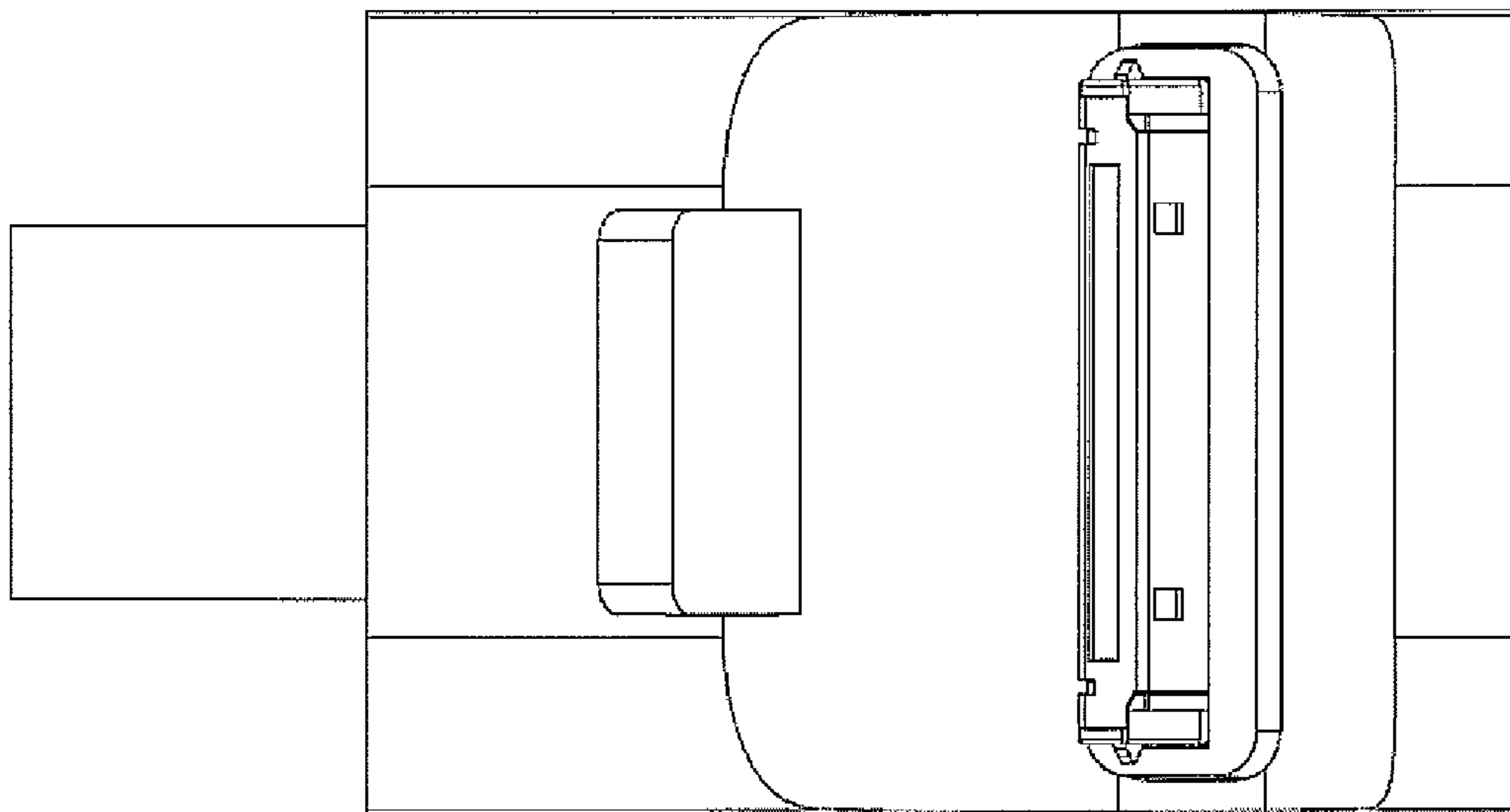


Fig. 3

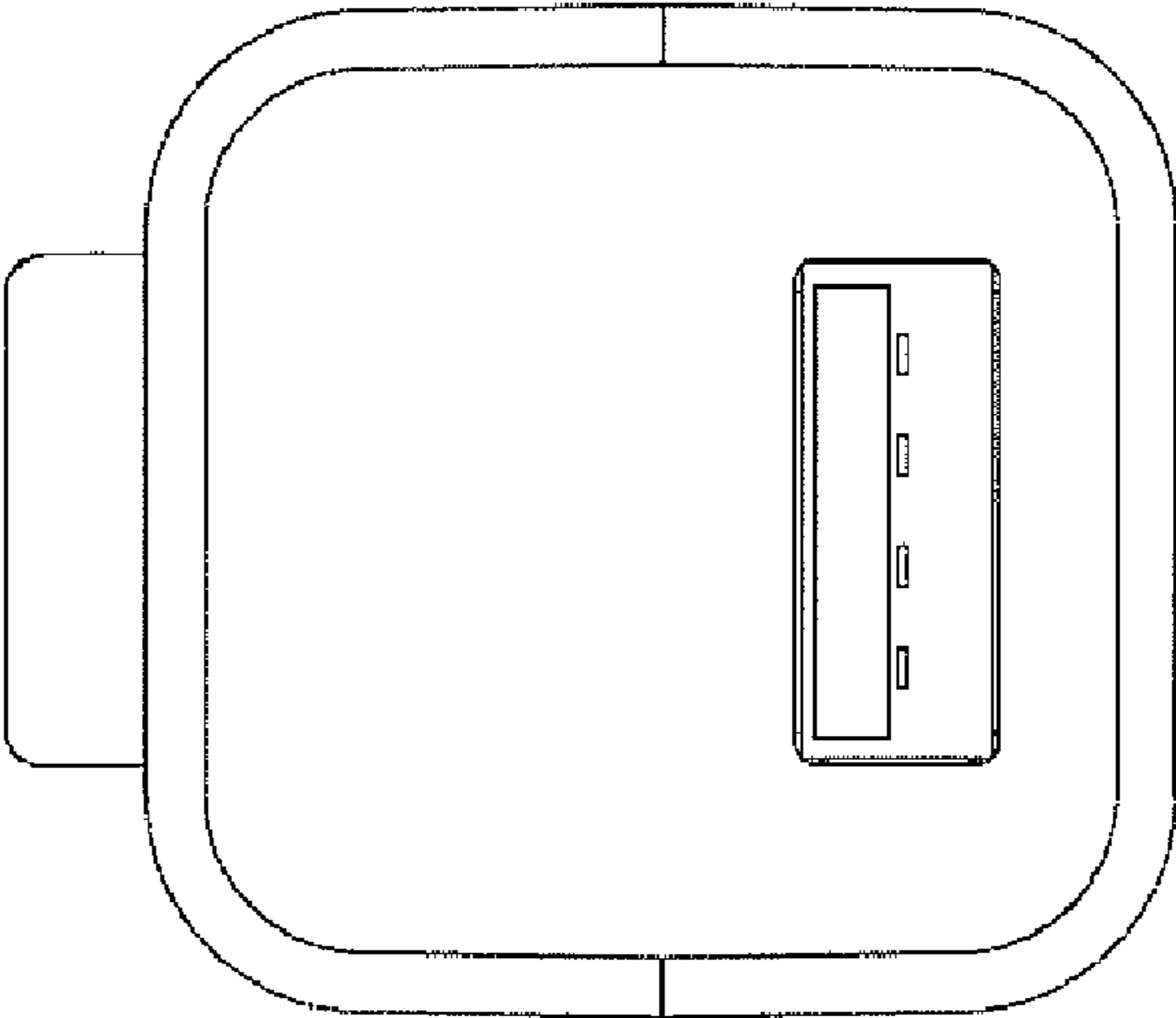


Fig. 4

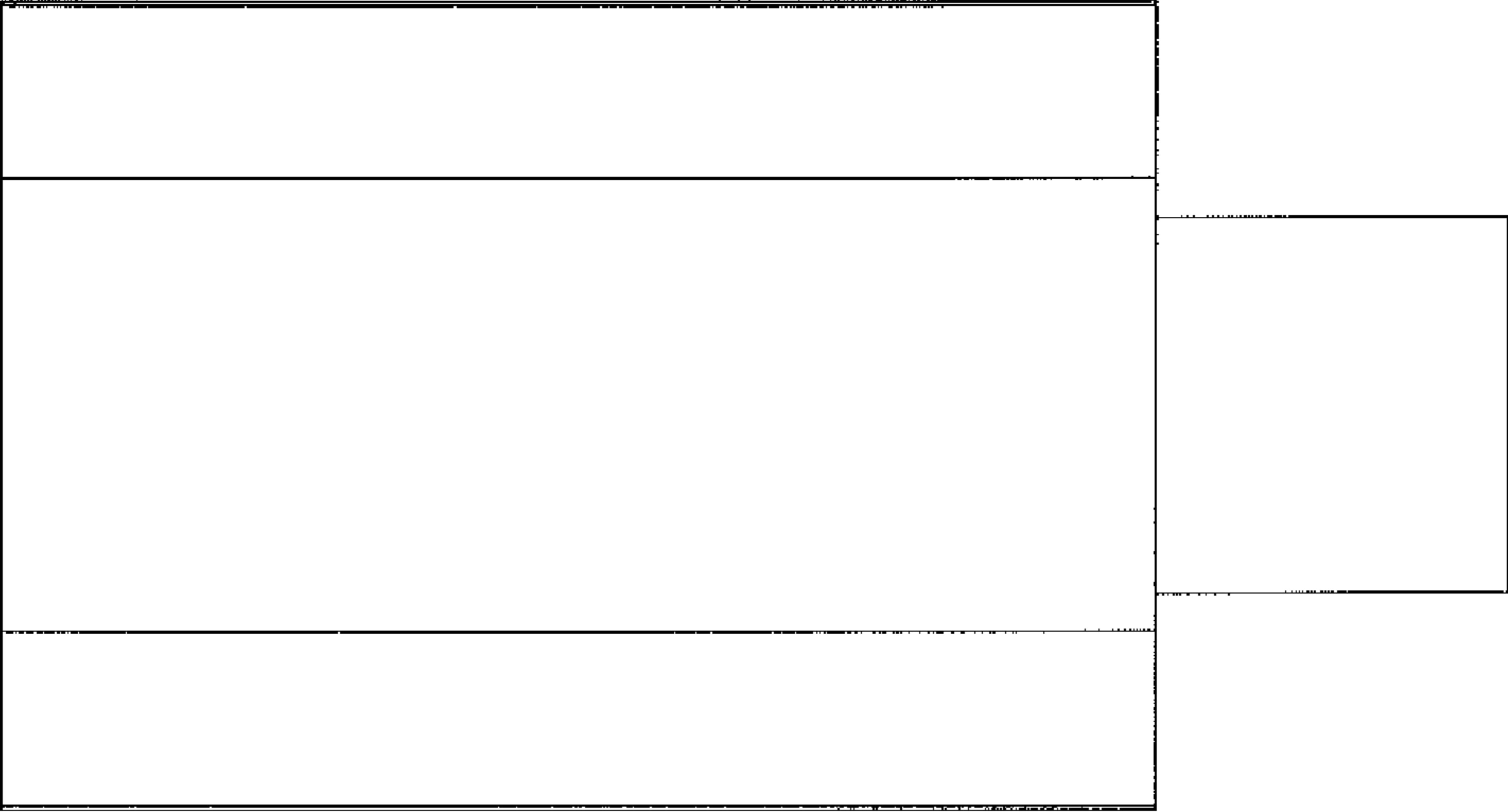


Fig. 5

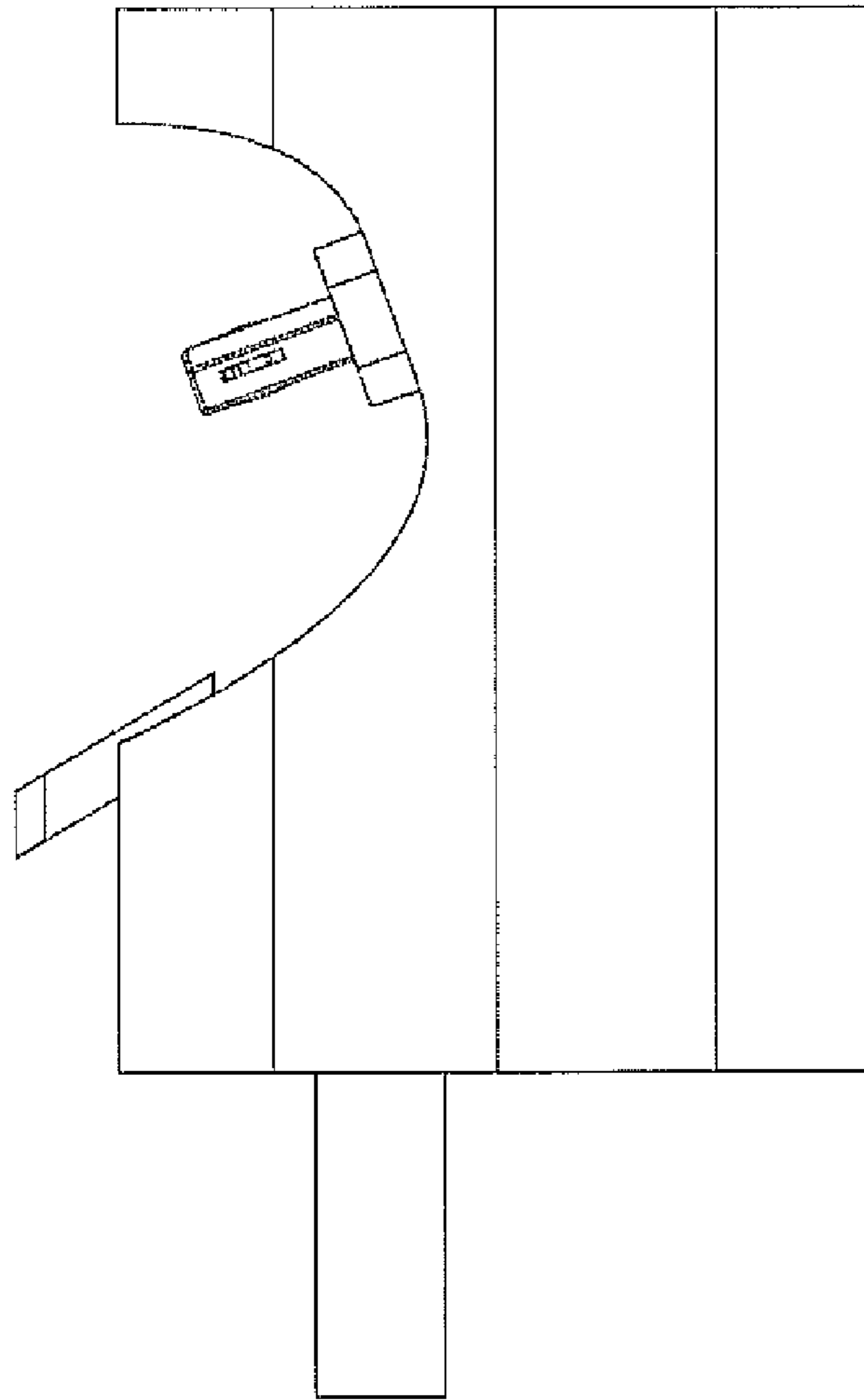


Fig. 6

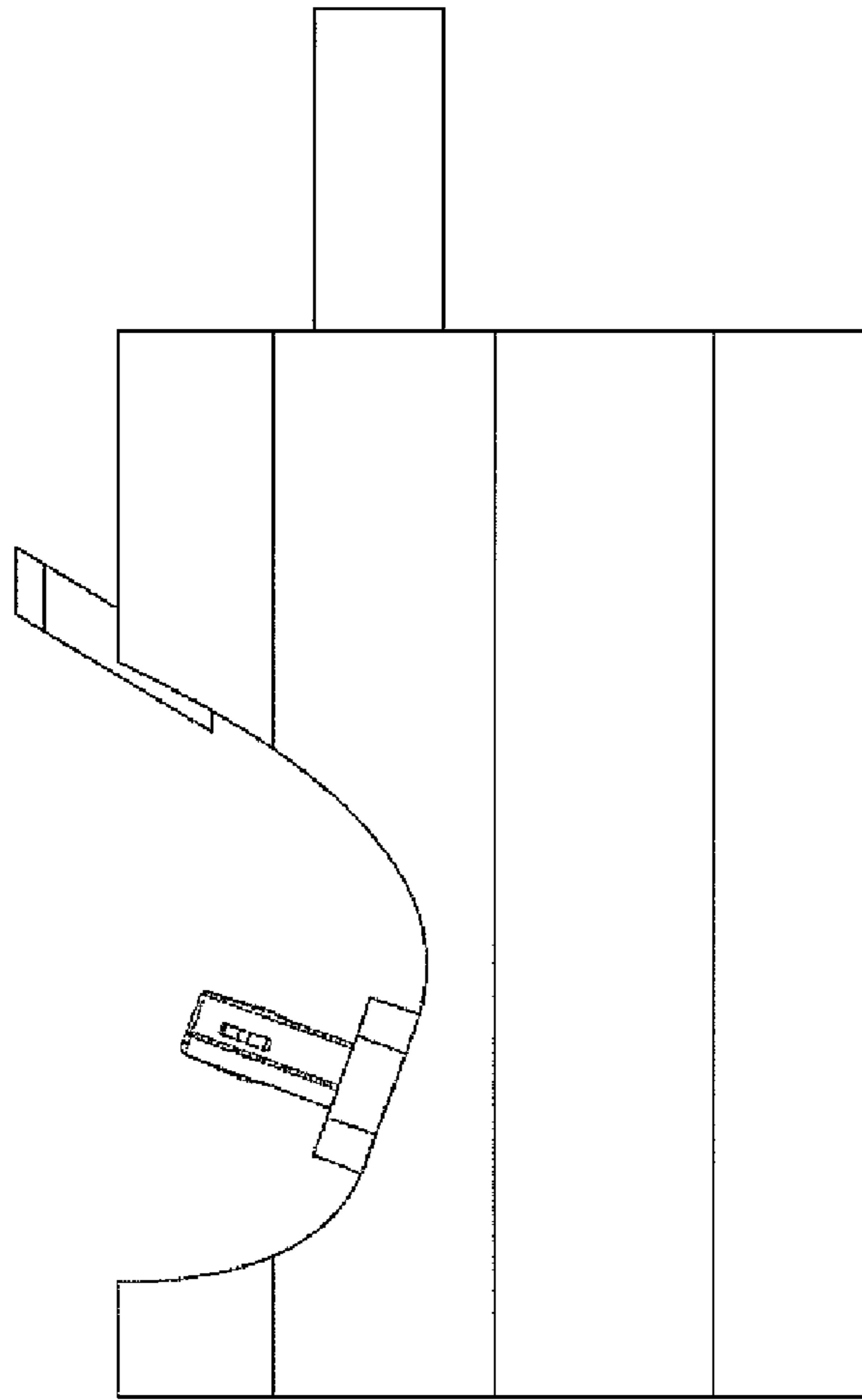


Fig. 7



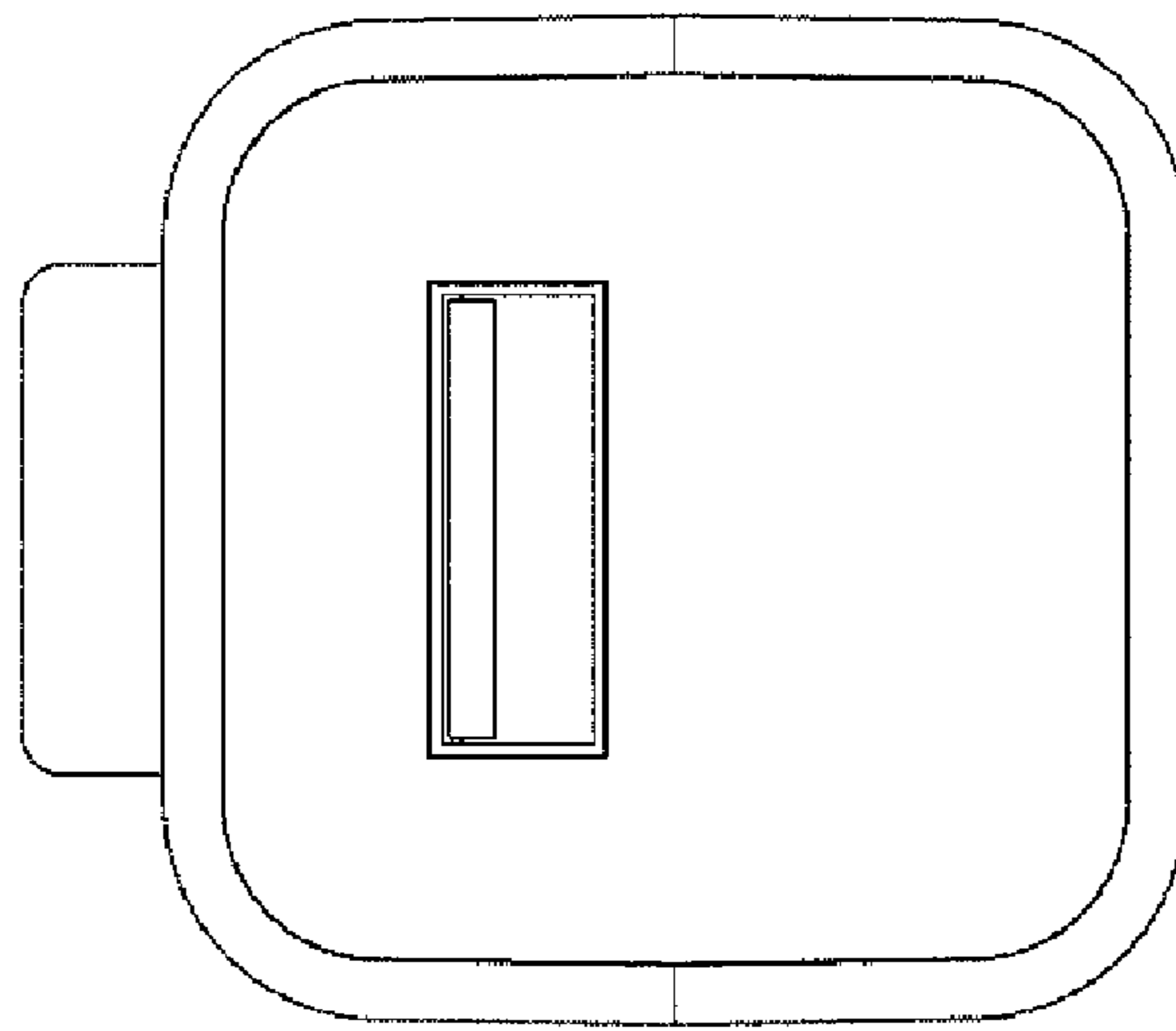


Fig. 8