



US00D631868S

(12) **United States Design Patent**
Chung

(10) **Patent No.:** **US D631,868 S**

(45) **Date of Patent:** **** Feb. 1, 2011**

(54) **SPEAKER**

D566,690 S * 4/2008 Ching D14/214
D589,940 S * 4/2009 Jacobs et al. D14/214

(75) Inventor: **Yeon-Moo Chung**, Seoul (KR)

(73) Assignee: **Samsung Electronics Co., Ltd.**,
Maetan-dong, Yeongtong-gu, Suwon-si,
Gyeonggi-do (KR)

* cited by examiner

Primary Examiner—Nanda Bondade
(74) *Attorney, Agent, or Firm*—Lexyoume IP Group, PLLC.

(**) Term: **14 Years**

(57) **CLAIM**

(21) Appl. No.: **29/357,344**

The ornamental design for a speaker, as shown and described.

(22) Filed: **Mar. 11, 2010**

DESCRIPTION

(51) **LOC (9) Cl.** **14-01**

(52) **U.S. Cl.** **D14/215; D14/214**

(58) **Field of Classification Search** D14/204,
D14/210–216, 172; 181/143–144, 147–148,
181/150–153, 157, 198–199; 381/300–303,
381/306, 332–333, 336, 345, 361–364, 386–388
See application file for complete search history.

FIG. 1 is a perspective view of a speaker showing my new design;

FIG. 2 is a front elevational view thereof;

FIG. 3 is a rear elevational view thereof;

FIG. 4 is a left side elevational view thereof;

FIG. 5 is a right side elevational view thereof;

FIG. 6 is a top plan view thereof; and,

FIG. 7 is a bottom plan view thereof.

(56) **References Cited**

U.S. PATENT DOCUMENTS

D519,105 S * 4/2006 Masui D14/214
D519,492 S * 4/2006 Masui D14/214

1 Claim, 7 Drawing Sheets

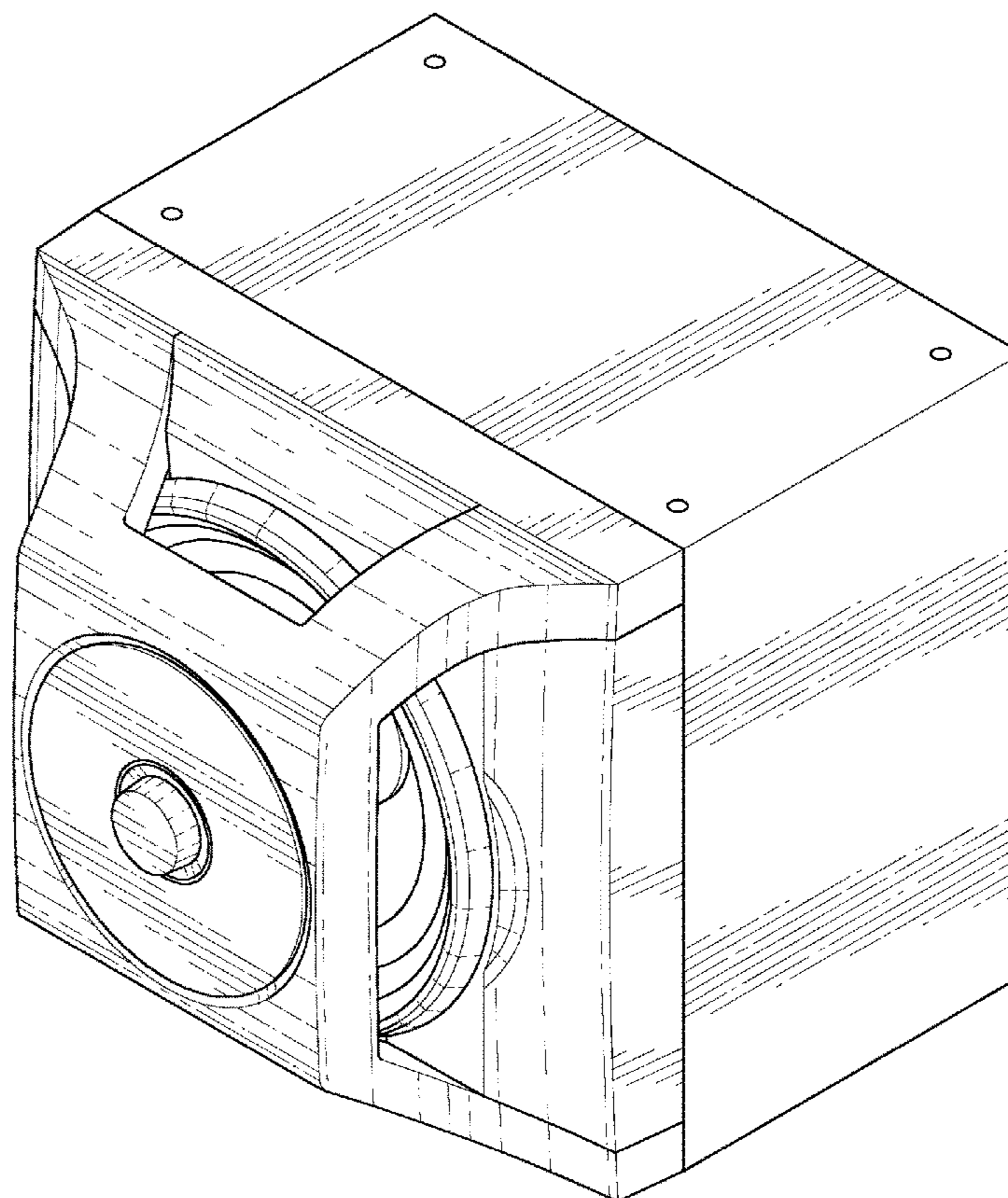


FIG. 1

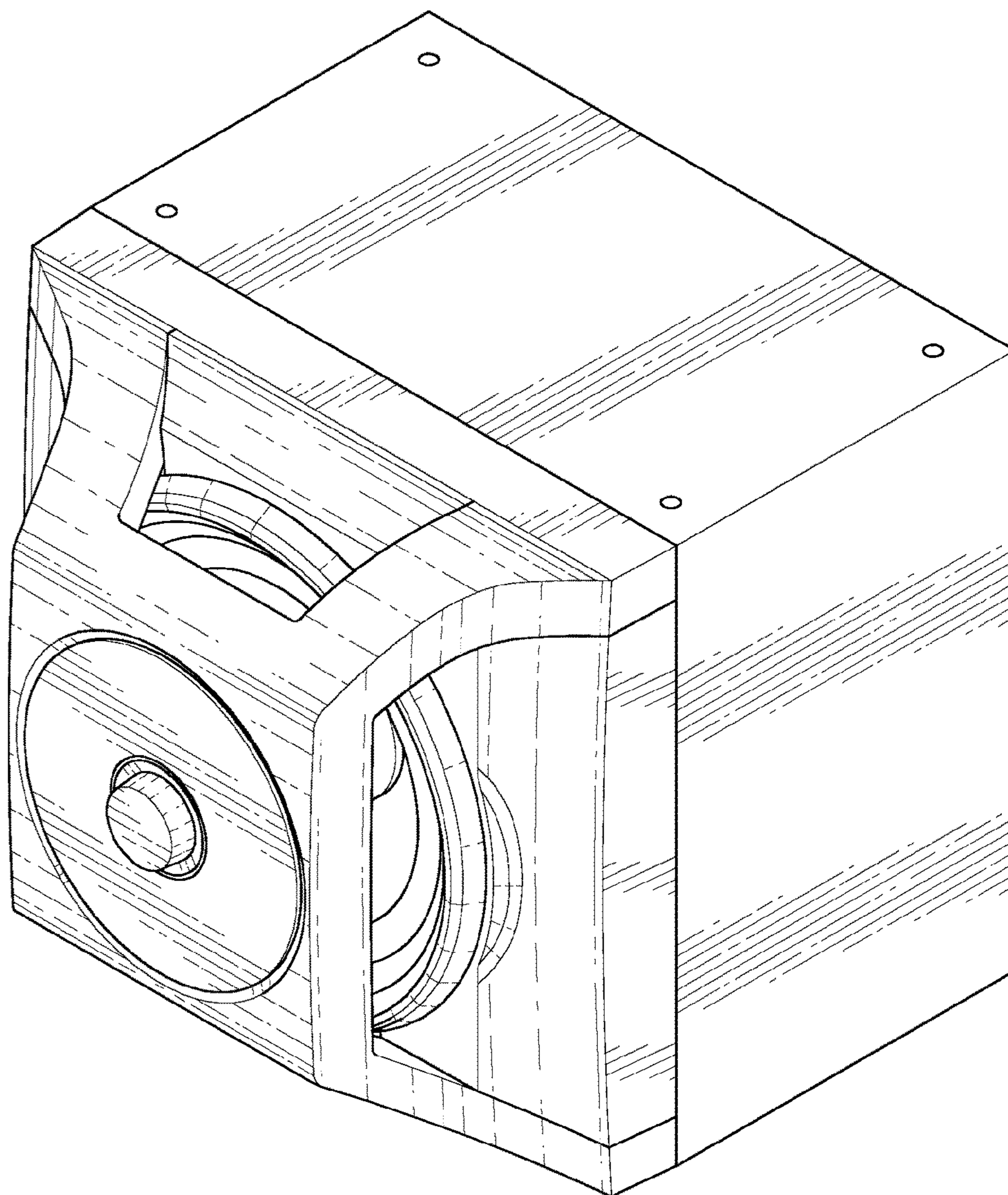


FIG. 2

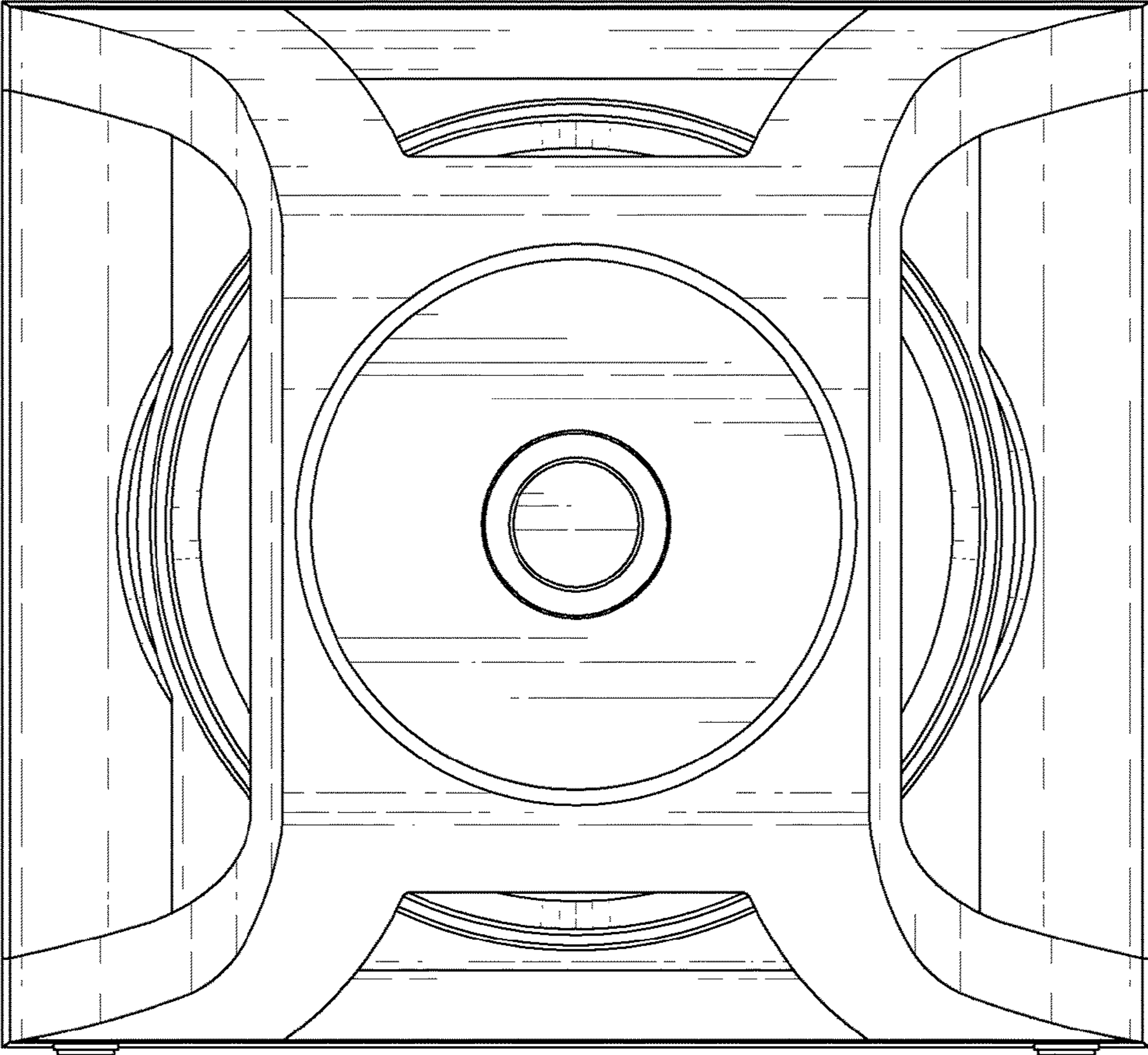


FIG. 3

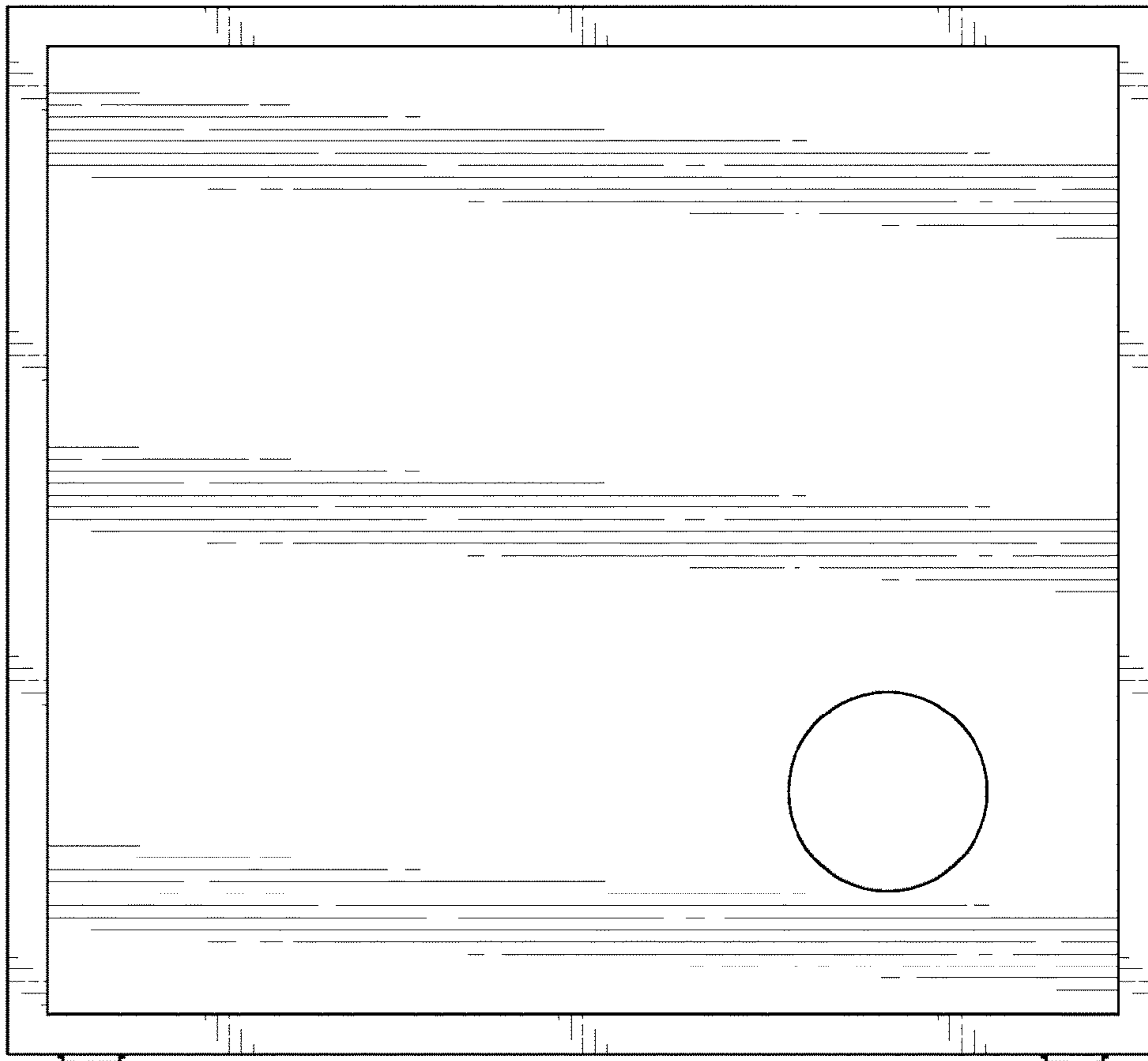


FIG. 4

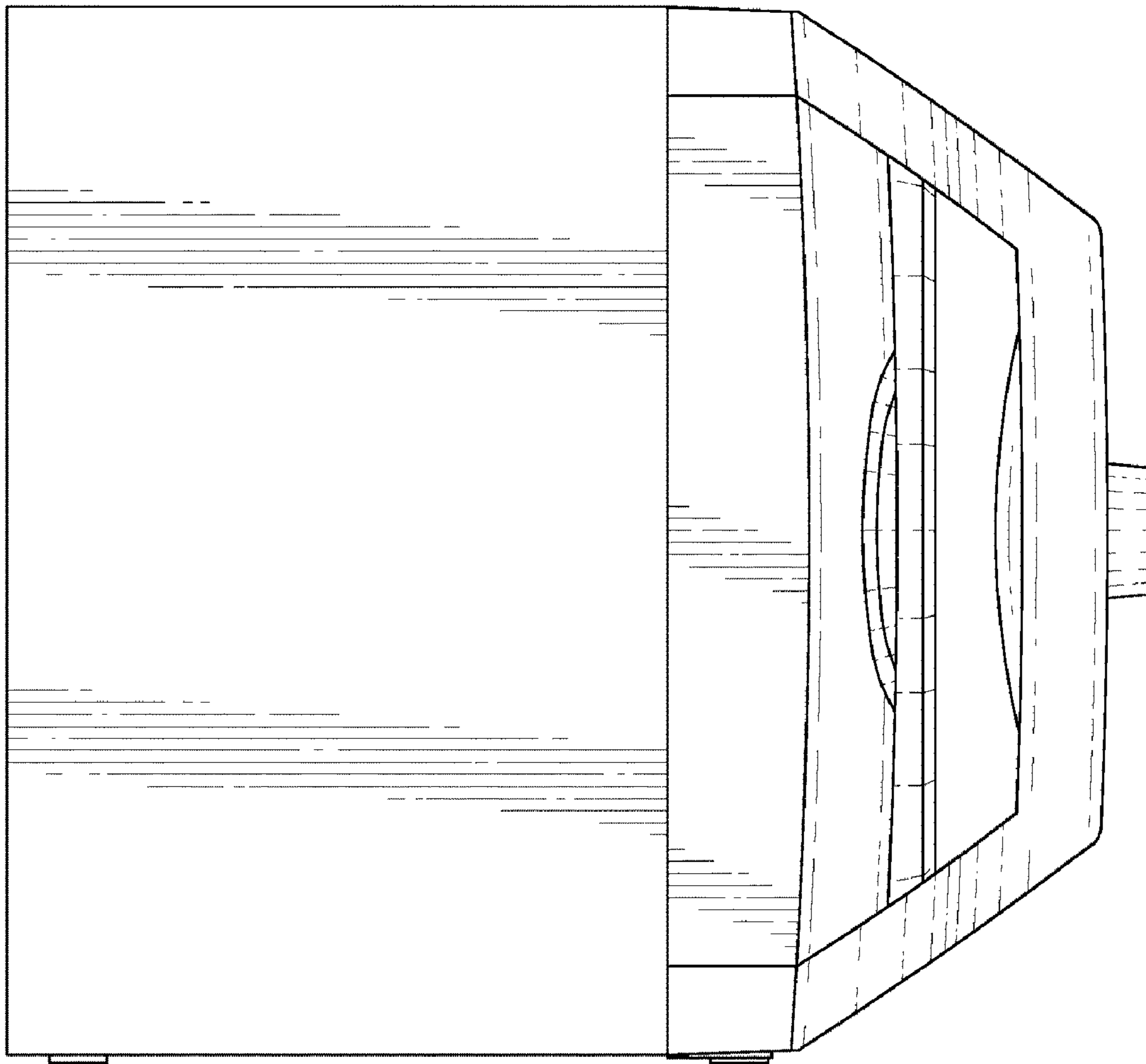


FIG. 5

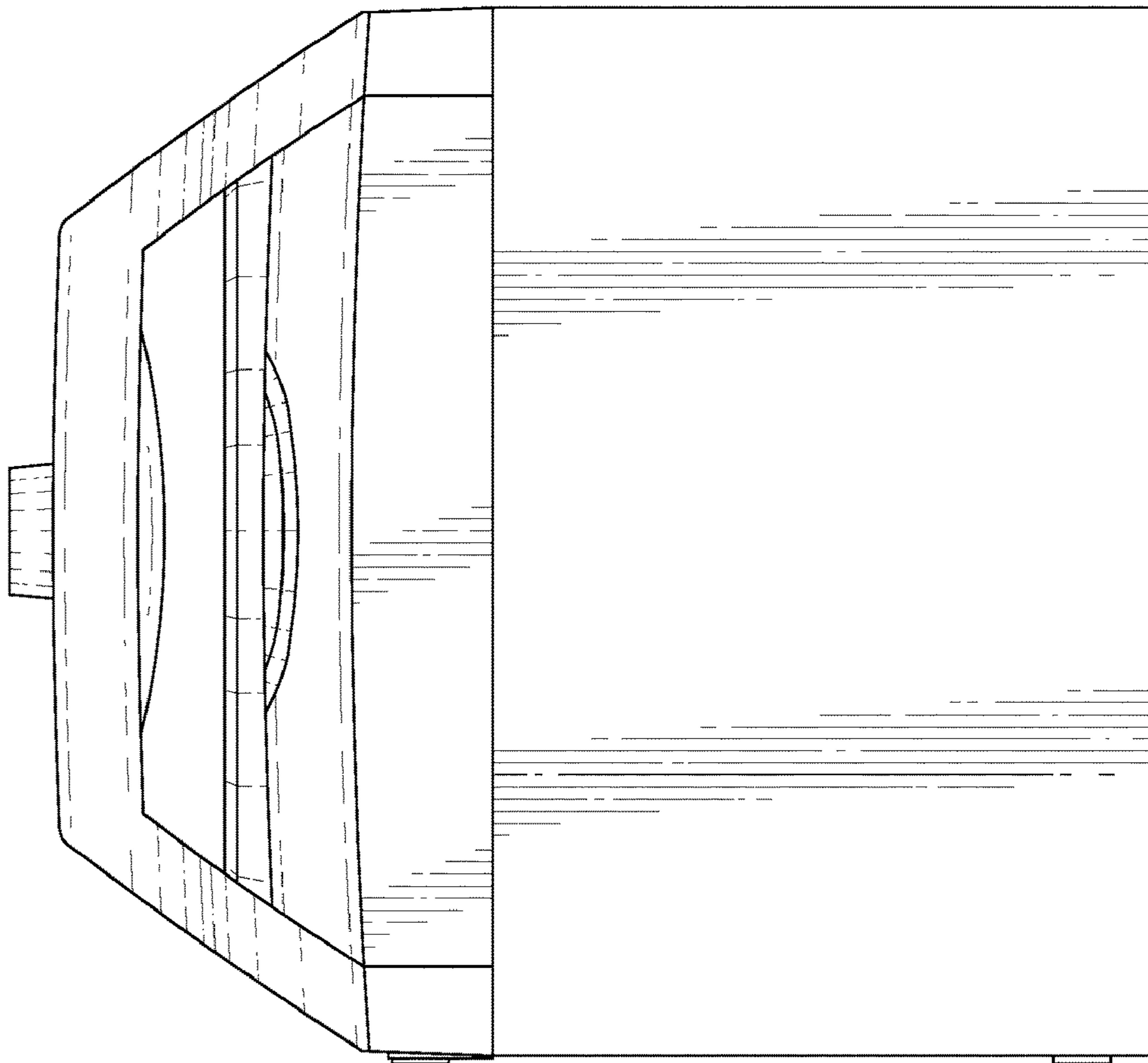


FIG. 6

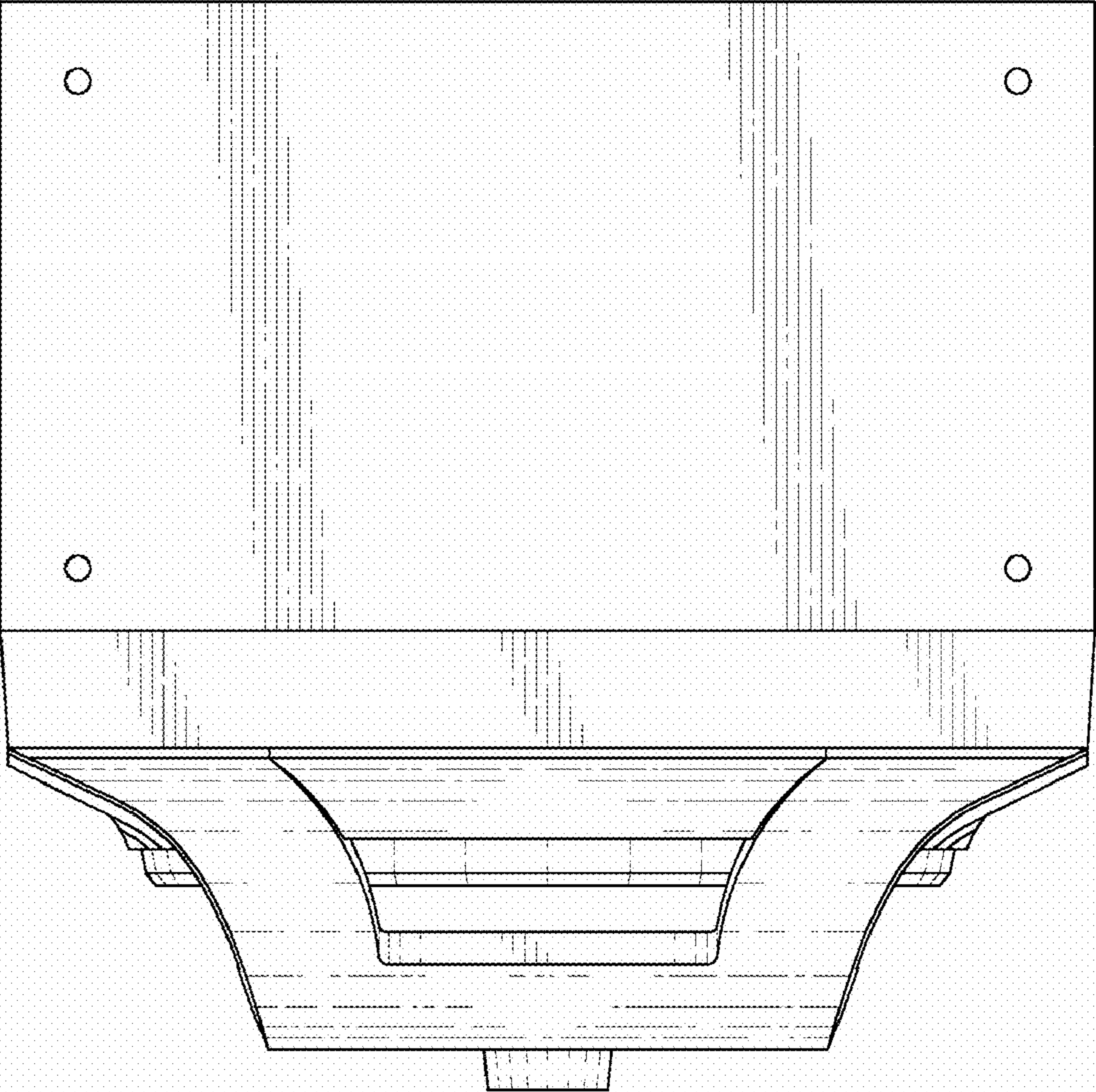


FIG. 7

