



US00D631860S

(12) **United States Design Patent**  
**Chai et al.**

(10) **Patent No.:** **US D631,860 S**

(45) **Date of Patent:** **\*\* Feb. 1, 2011**

(54) **TV SET**

(75) Inventors: **Min-Chieh Chai**, Peng-Hu (TW);  
**Ming-Sung Lin**, Taipei (TW)

(73) Assignee: **Hannstar Display Corp.**, Taipei County  
(TW)

(\*\*) Term: **14 Years**

(21) Appl. No.: **29/360,615**

(22) Filed: **Apr. 28, 2010**

(51) **LOC (9) Cl.** ..... **14-03**

(52) **U.S. Cl.** ..... **D14/126**

(58) **Field of Classification Search** ..... D14/125-134,  
D14/239, 371, 136, 374-377, 440, 450, 448,  
D14/336, 342; 312/7.2; 348/836, 838, 180,  
348/184, 325, 739; 341/12; 248/917-924,  
248/465; 345/104, 133, 156, 168, 87, 173;  
720/605, 669, 600, 655; 369/99, 197; 455/344,  
455/347; D21/329, 515, 577, 622, 333, 433,  
D21/448, 452, 450, 331; D6/447, 479, 300;  
273/148 B; 446/484, 175, 356; D10/15,  
D10/26

See application file for complete search history.

(56) **References Cited**

**U.S. PATENT DOCUMENTS**

D560,625 S \* 1/2008 Niitsu ..... D14/126  
D562,786 S \* 2/2008 Zayana ..... D14/126

D564,990 S \* 3/2008 Ueno ..... D14/126  
D608,314 S \* 1/2010 Boo et al. .... D14/126  
D614,596 S \* 4/2010 Won et al. .... D14/126  
D615,509 S \* 5/2010 Song et al. .... D14/126  
D618,188 S \* 6/2010 Tsai ..... D14/126  
D620,902 S \* 8/2010 Kim et al. .... D14/126

\* cited by examiner

*Primary Examiner*—Raphael Barkai

(74) *Attorney, Agent, or Firm*—Stout, Uxa, Buyan & Mullins,  
LLP

(57) **CLAIM**

The ornamental design for a TV set, as shown and described.

**DESCRIPTION**

FIG. 1 is a perspective view of a TV set showing our new design;

FIG. 2 is a front elevational view thereof;

FIG. 3 is a rear elevational view thereof;

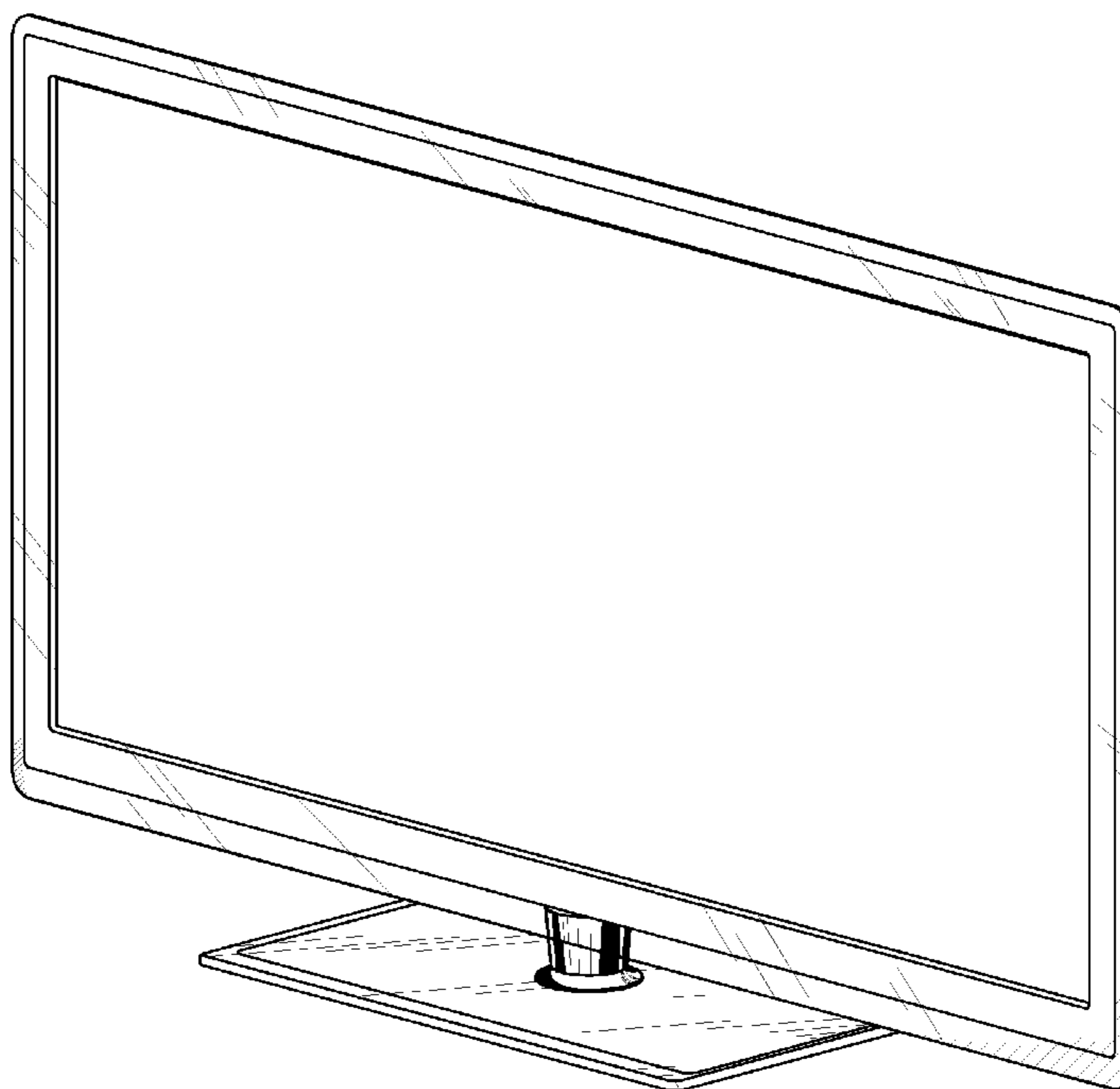
FIG. 4 is a left side elevational view thereof;

FIG. 5 is a right side elevational view thereof;

FIG. 6 is a top plan view thereof; and,

FIG. 7 is a bottom plan view thereof.

**1 Claim, 7 Drawing Sheets**



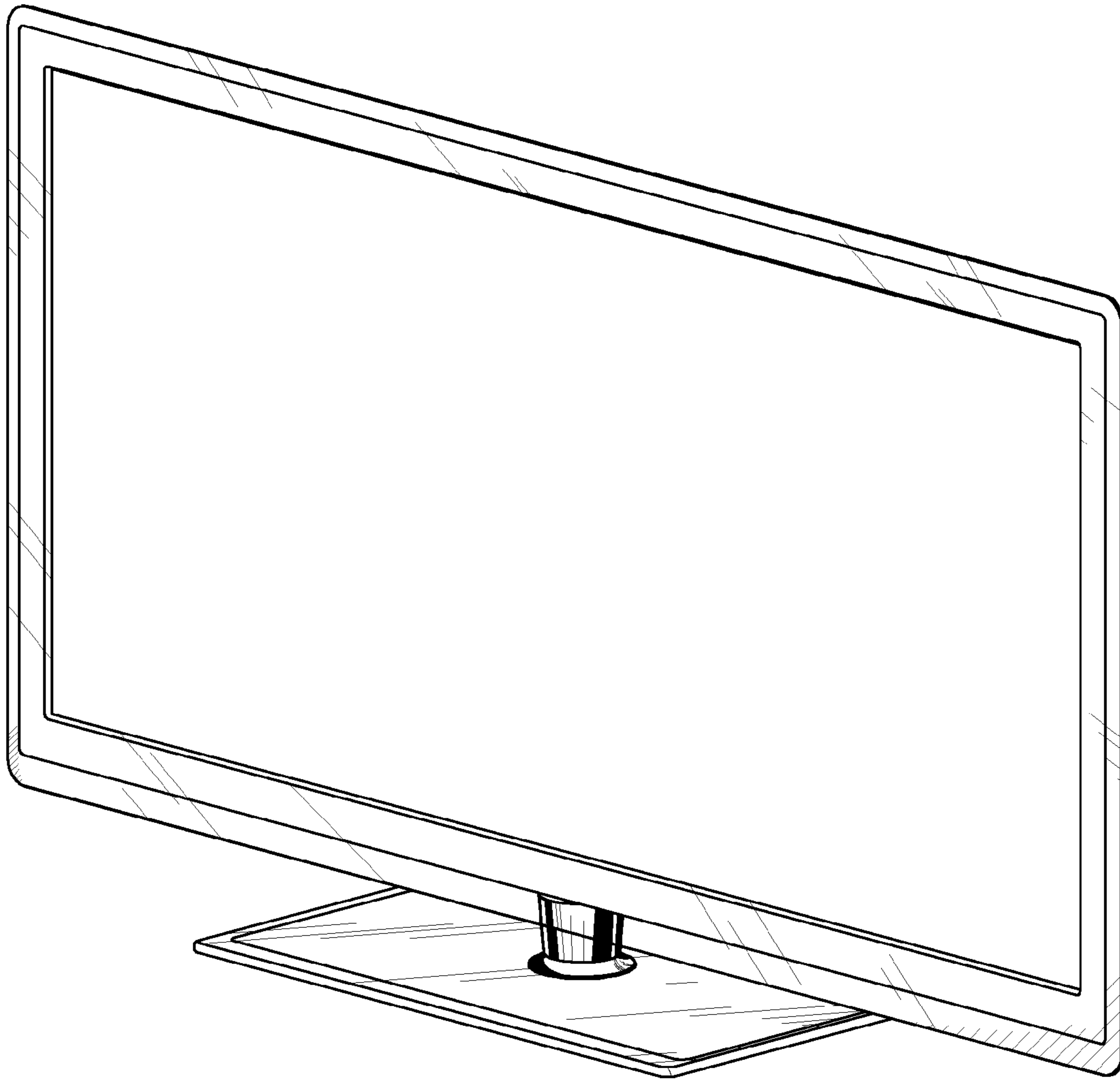


FIG. 1

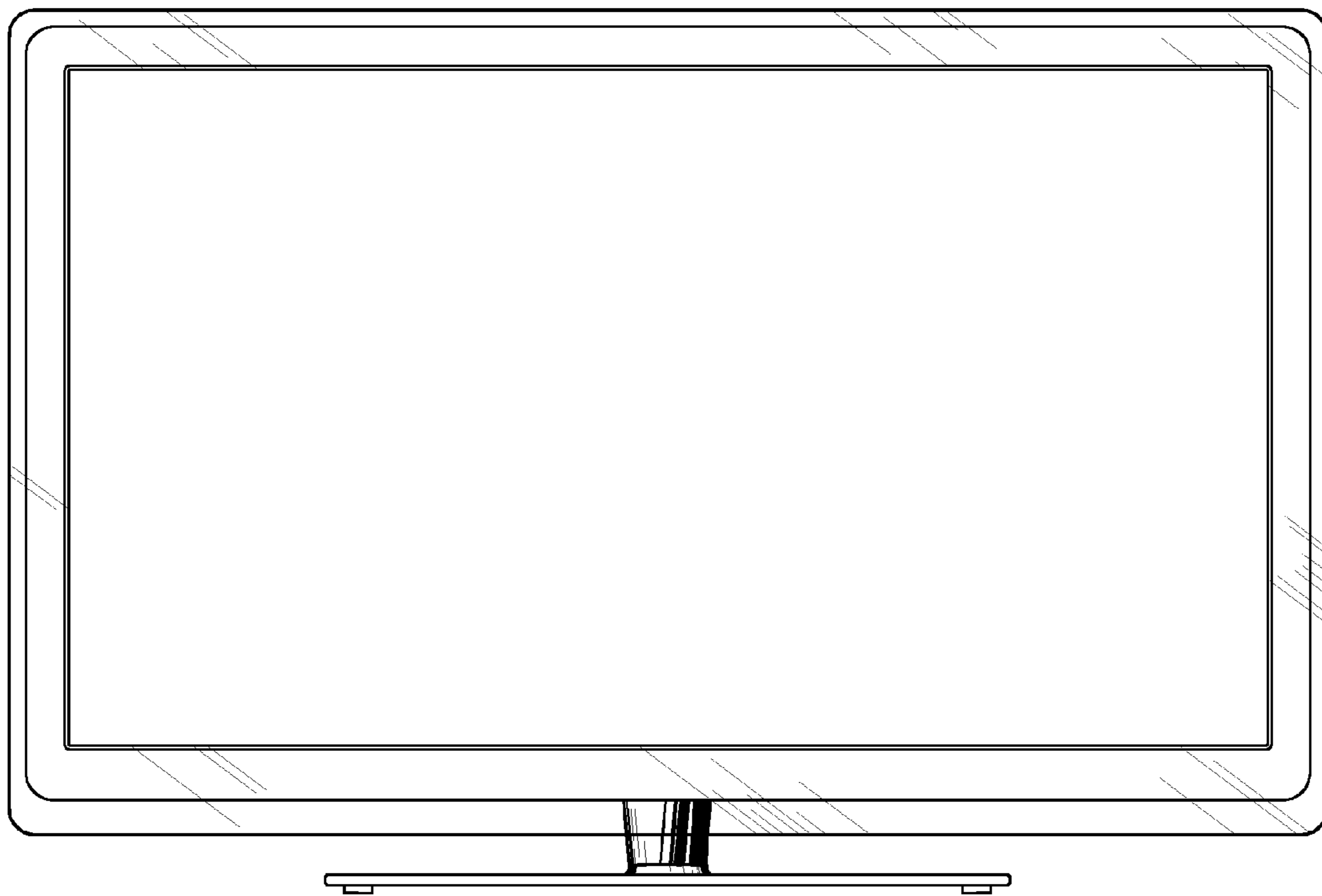


FIG. 2

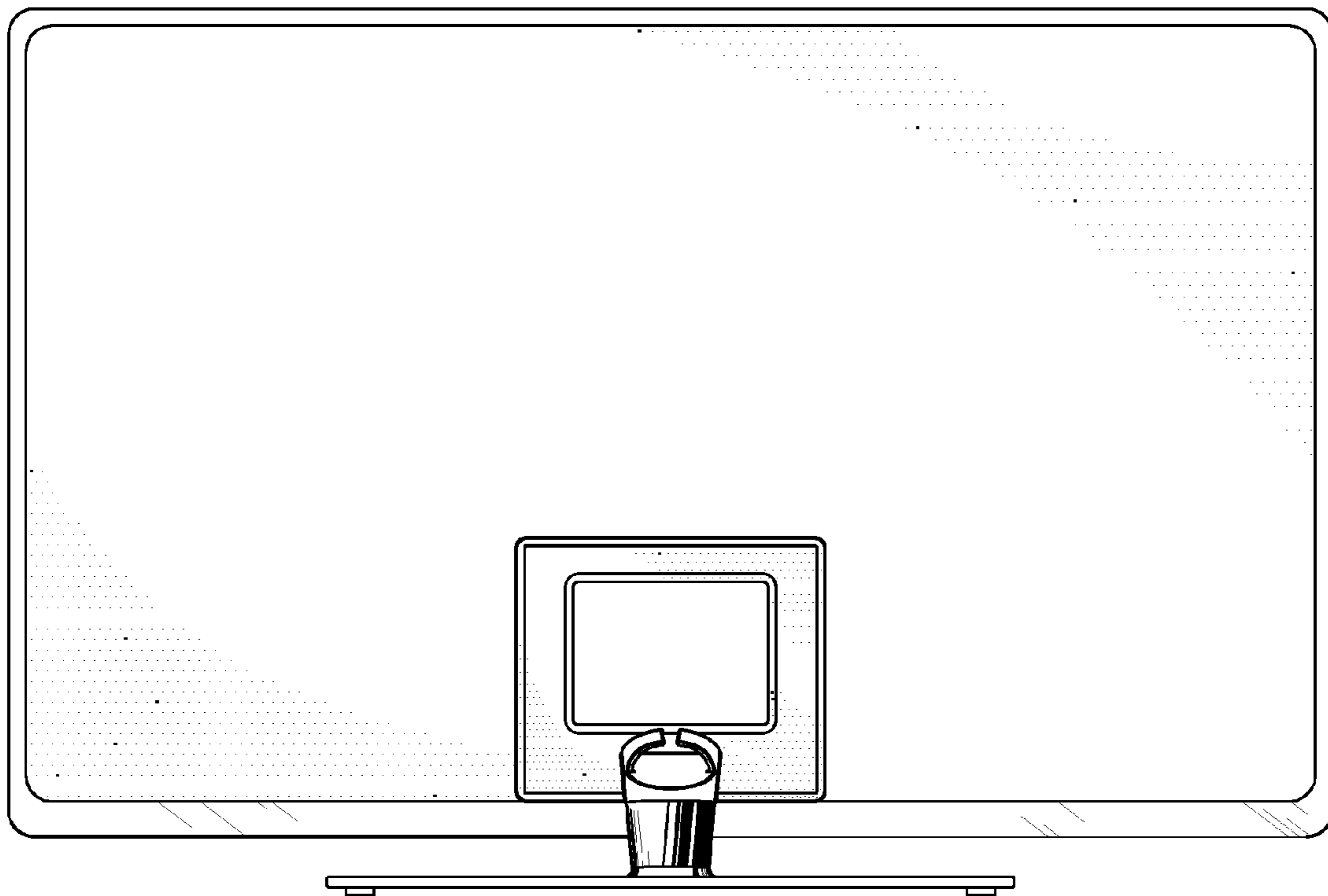


FIG. 3

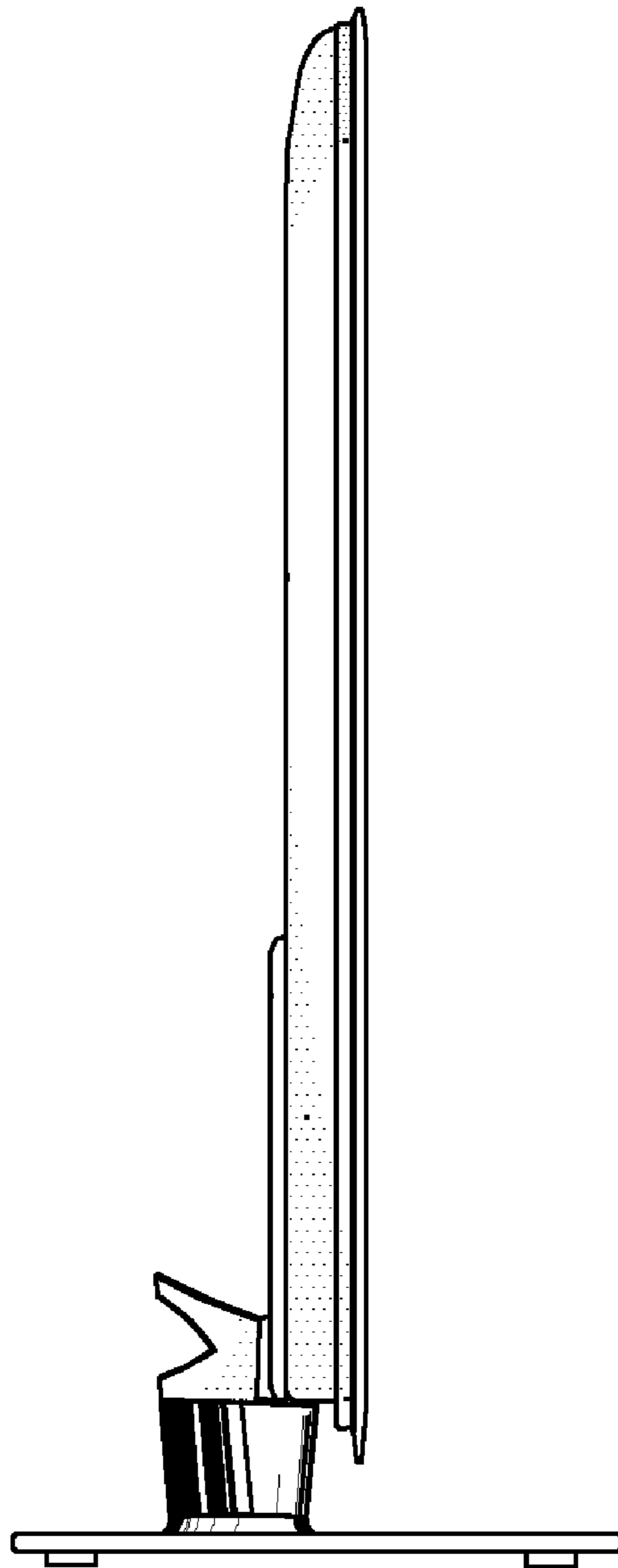


FIG. 4

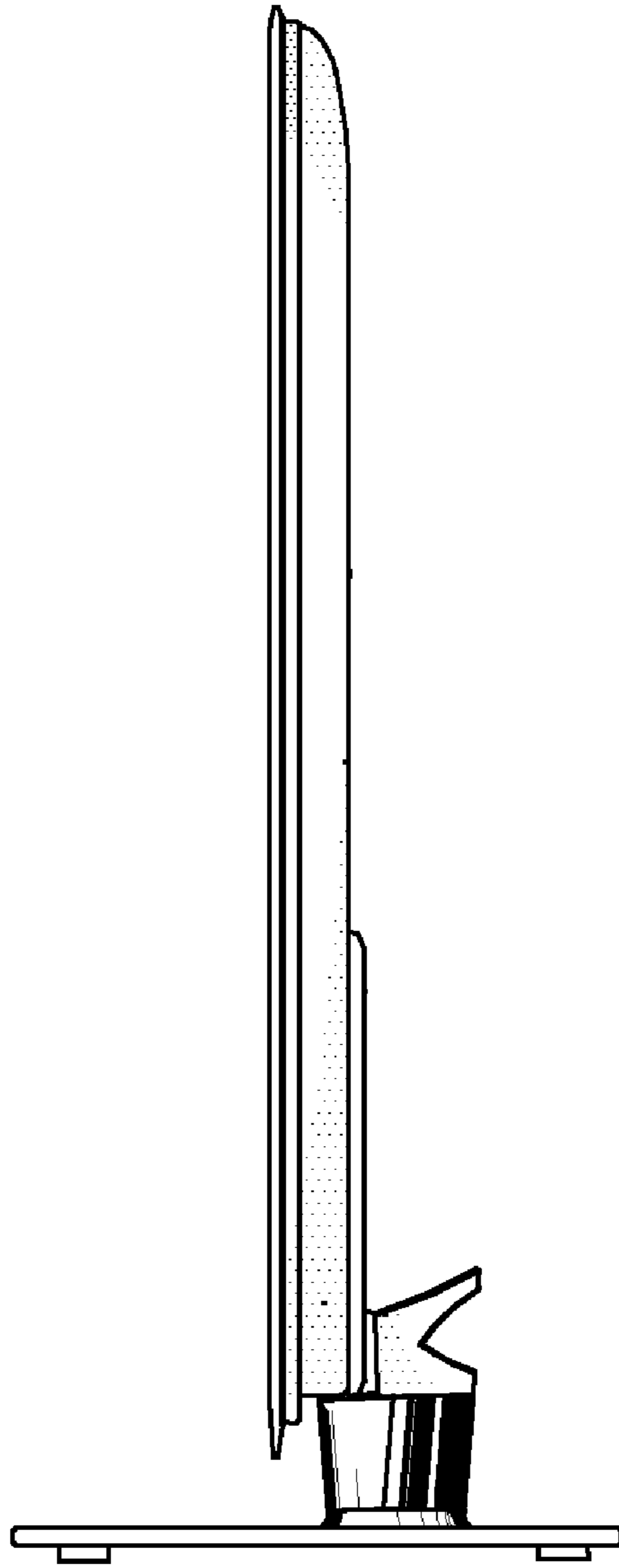


FIG. 5

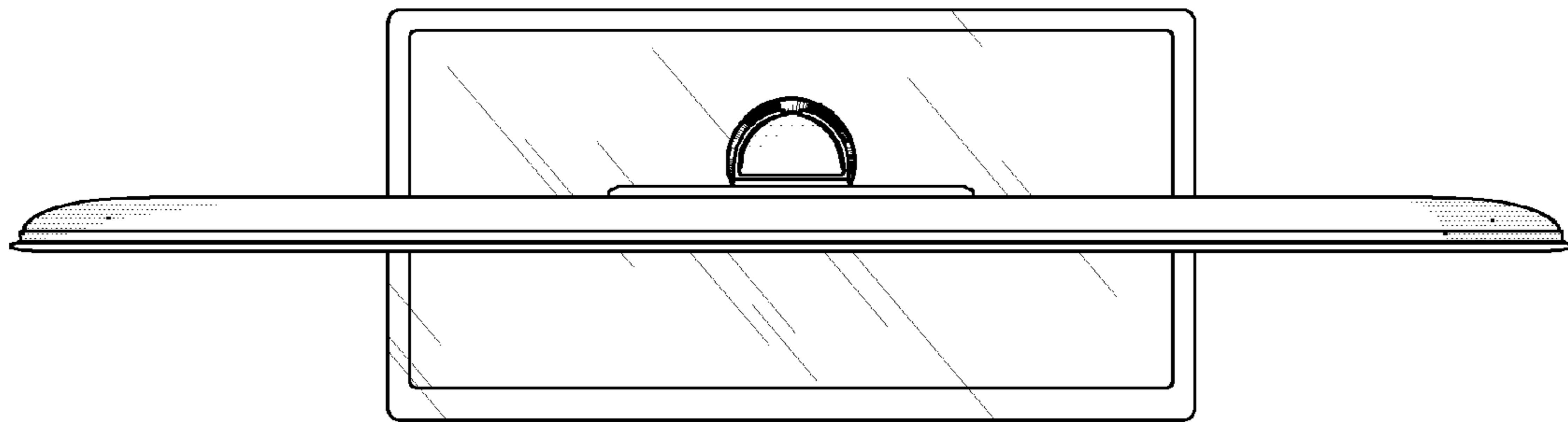


FIG. 6

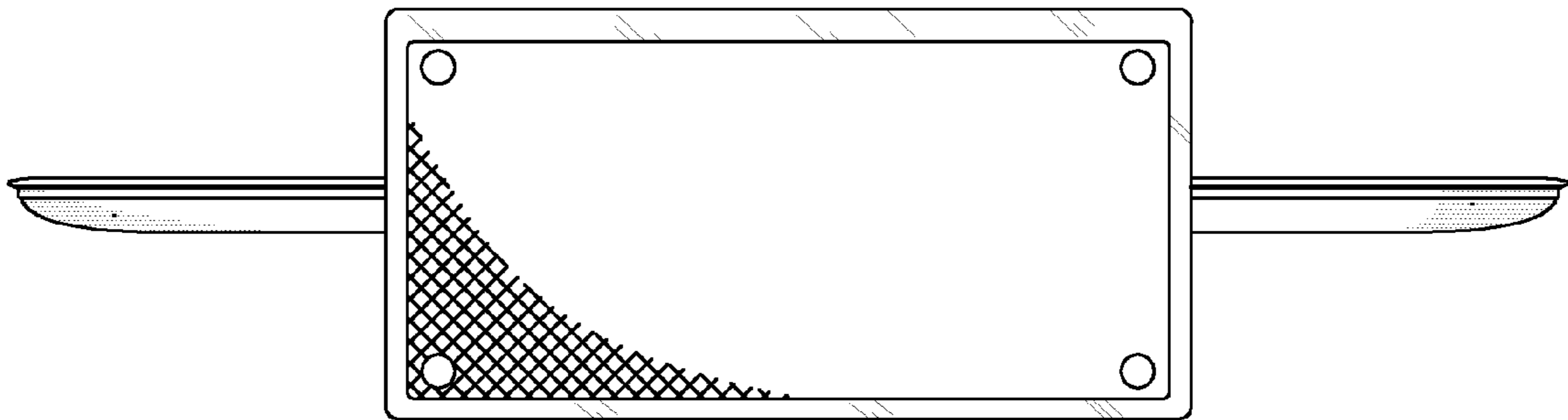


FIG. 7