



US00D631858S

(12) **United States Design Patent**  
**Kim**

(10) **Patent No.:** **US D631,858 S**

(45) **Date of Patent:** **\*\* Feb. 1, 2011**

(54) **SHADOW FRAME**

(75) Inventor: **Kyung-Tae Kim**, Suwon (KR)

(73) Assignee: **Applied Materials, Inc.**, Santa Clara,  
CA (US)

(\*\*) Term: **14 Years**

(21) Appl. No.: **29/327,995**

(22) Filed: **Nov. 17, 2008**

(51) **LOC (9) Cl.** ..... **13-03**

(52) **U.S. Cl.** ..... **D13/182**

(58) **Field of Classification Search** ..... D13/177,  
D13/180–182; D8/349, 354, 382; D6/300;  
D19/26, 32, 34; 206/453; 281/20, 42, 45;  
428/430, 848.5; 430/5; 382/144, 145, 147,  
382/181

See application file for complete search history.

(56) **References Cited**

**U.S. PATENT DOCUMENTS**

5,352,294	A	10/1994	White et al.	
6,106,631	A *	8/2000	Inoue et al.	118/729
6,355,108	B1	3/2002	Won et al.	
6,744,562	B2 *	6/2004	Okada et al.	359/629
6,746,198	B2 *	6/2004	White et al.	414/222.13
6,773,562	B1	8/2004	Inagawa et al.	
D568,839	S *	5/2008	Mitsui et al.	D13/182
D608,742	S *	1/2010	Tiner	D13/182
D608,743	S *	1/2010	Tiner	D13/182
2004/0123799	A1 *	7/2004	Clark	118/504

2006/0011137	A1 *	1/2006	Keller	118/720
2006/0103289	A1 *	5/2006	Kim et al.	313/402
2006/0148368	A1 *	7/2006	Kang et al.	445/47
2008/0213679	A1 *	9/2008	Miyakawa et al.	430/5
2009/0283036	A1 *	11/2009	Duong et al.	118/500

\* cited by examiner

*Primary Examiner*—Thomas J Johannes

(74) *Attorney, Agent, or Firm*—Patterson & Sheridan, LLP

(57) **CLAIM**

The ornamental design for a shadow frame, as shown and described.

**DESCRIPTION**

FIG. 1 is an isometric view of a shadow frame showing my new design;

FIG. 2 is a bottom plan view thereof;

FIG. 3 is a side elevation view thereof; the opposite side being identical thereto;

FIG. 4 is a top plan view thereof;

FIG. 5 is a another side elevation view thereof; the opposite side being identical thereto;

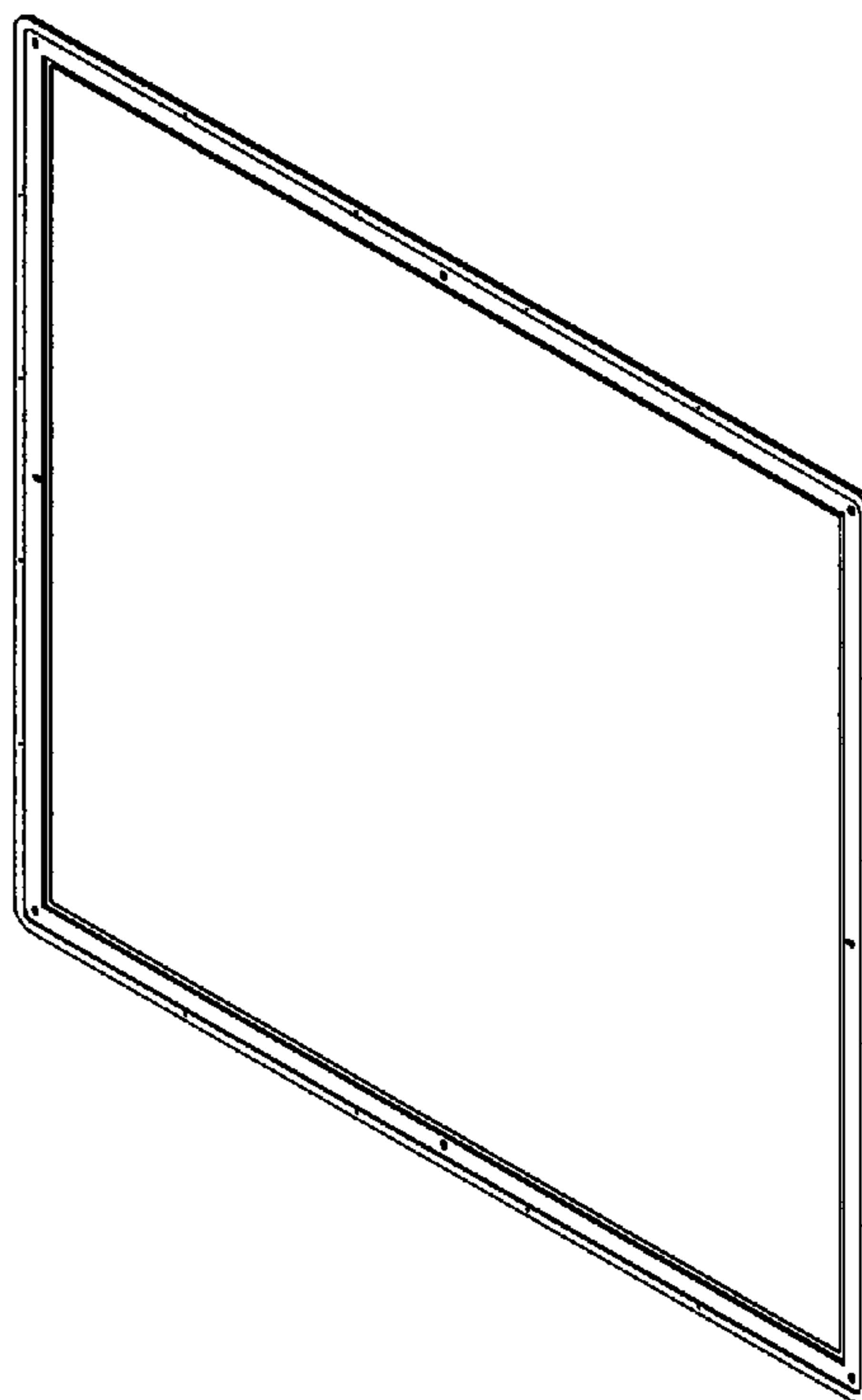
FIG. 6 is an enlarged detailed view of FIG. 2.

FIG. 7 is another enlarged detailed view of FIG. 2; and,

FIG. 8 is a cross section of FIG. 7 taken in the direction of line 8—8.

The broken line portion of FIG. 7 is included to show an unclaimed element and forms no part of the claimed design.

**1 Claim, 4 Drawing Sheets**



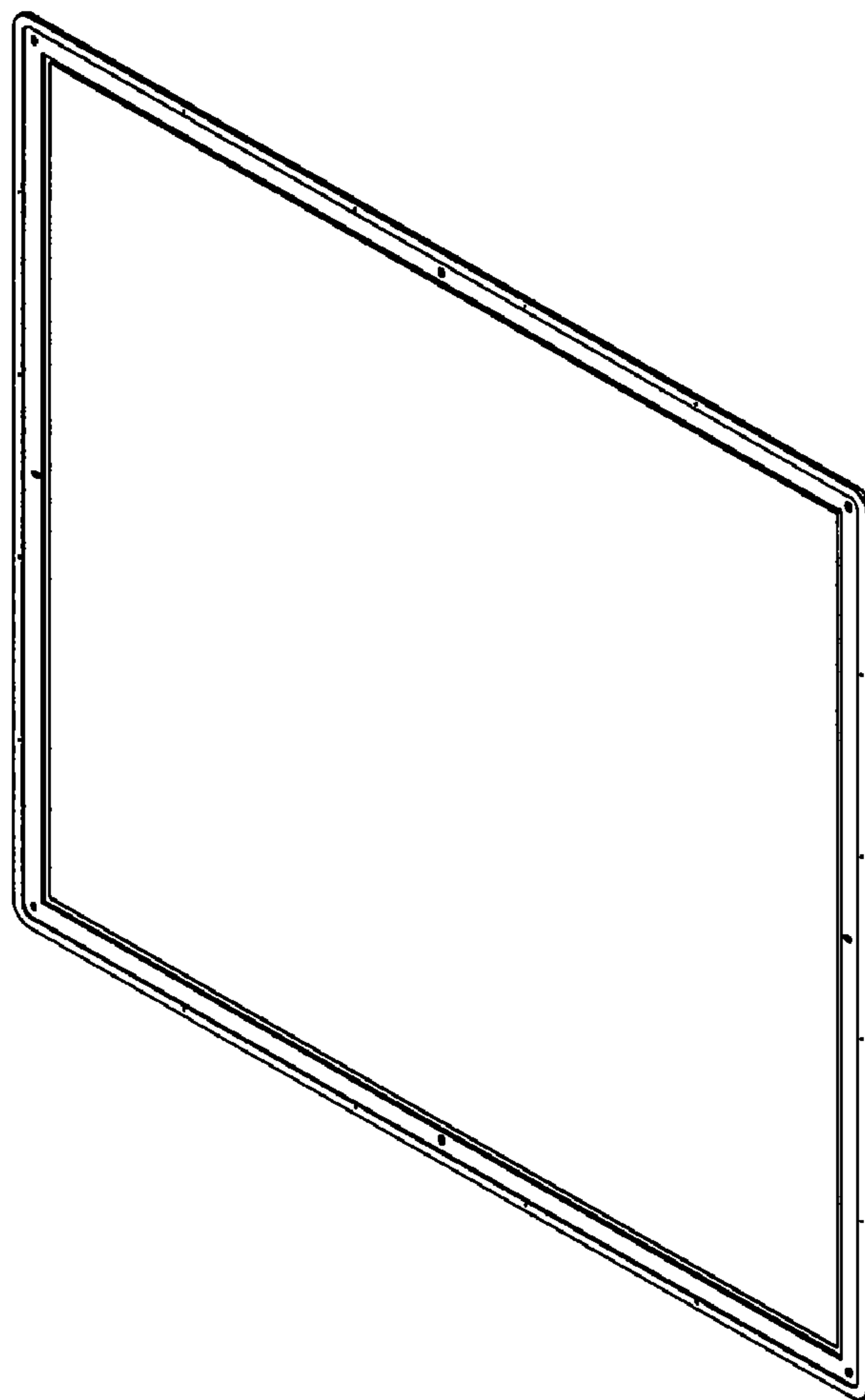


FIG. 1

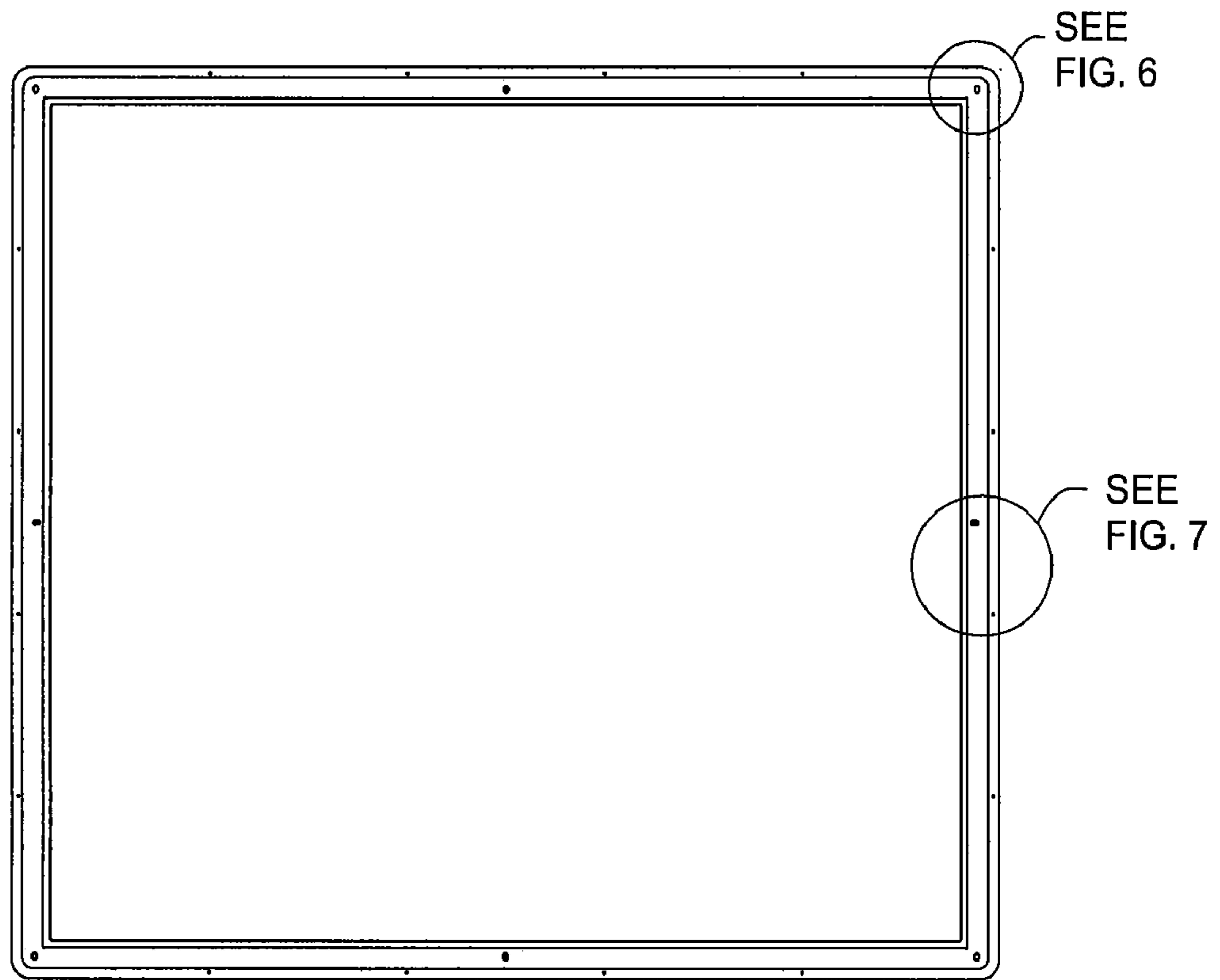


FIG. 2



FIG. 3

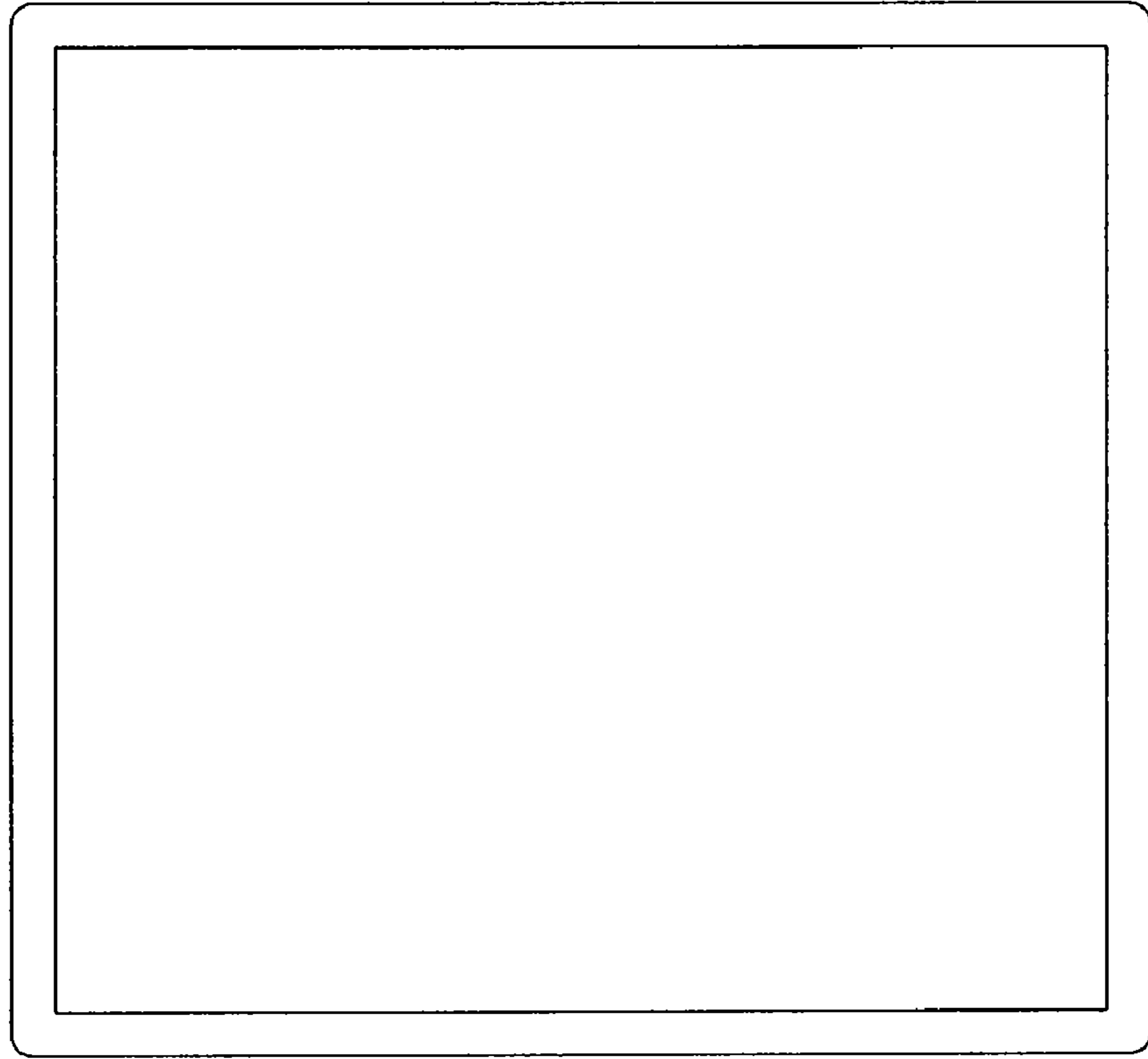


FIG. 4



FIG. 5

FIG. 7

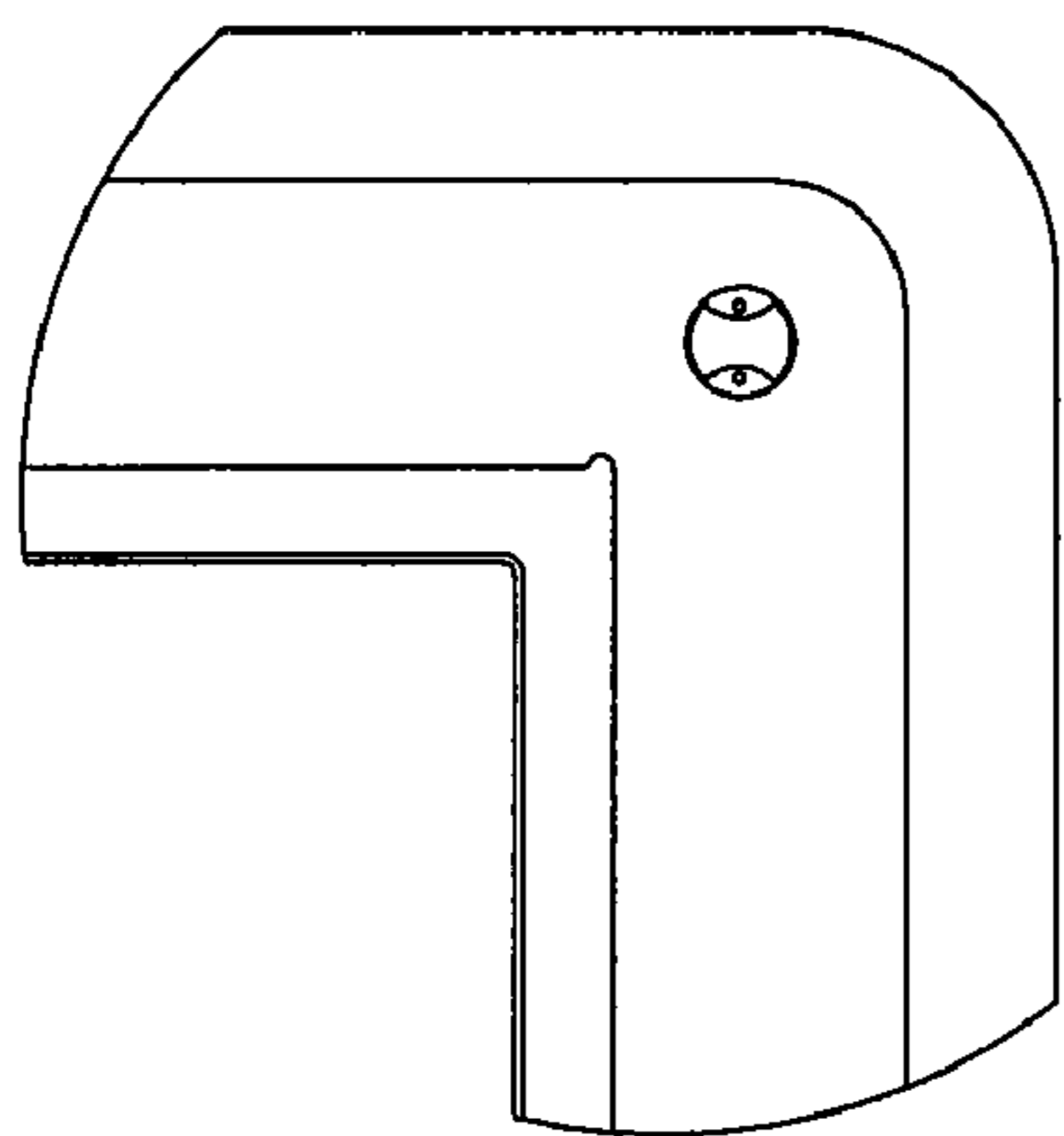
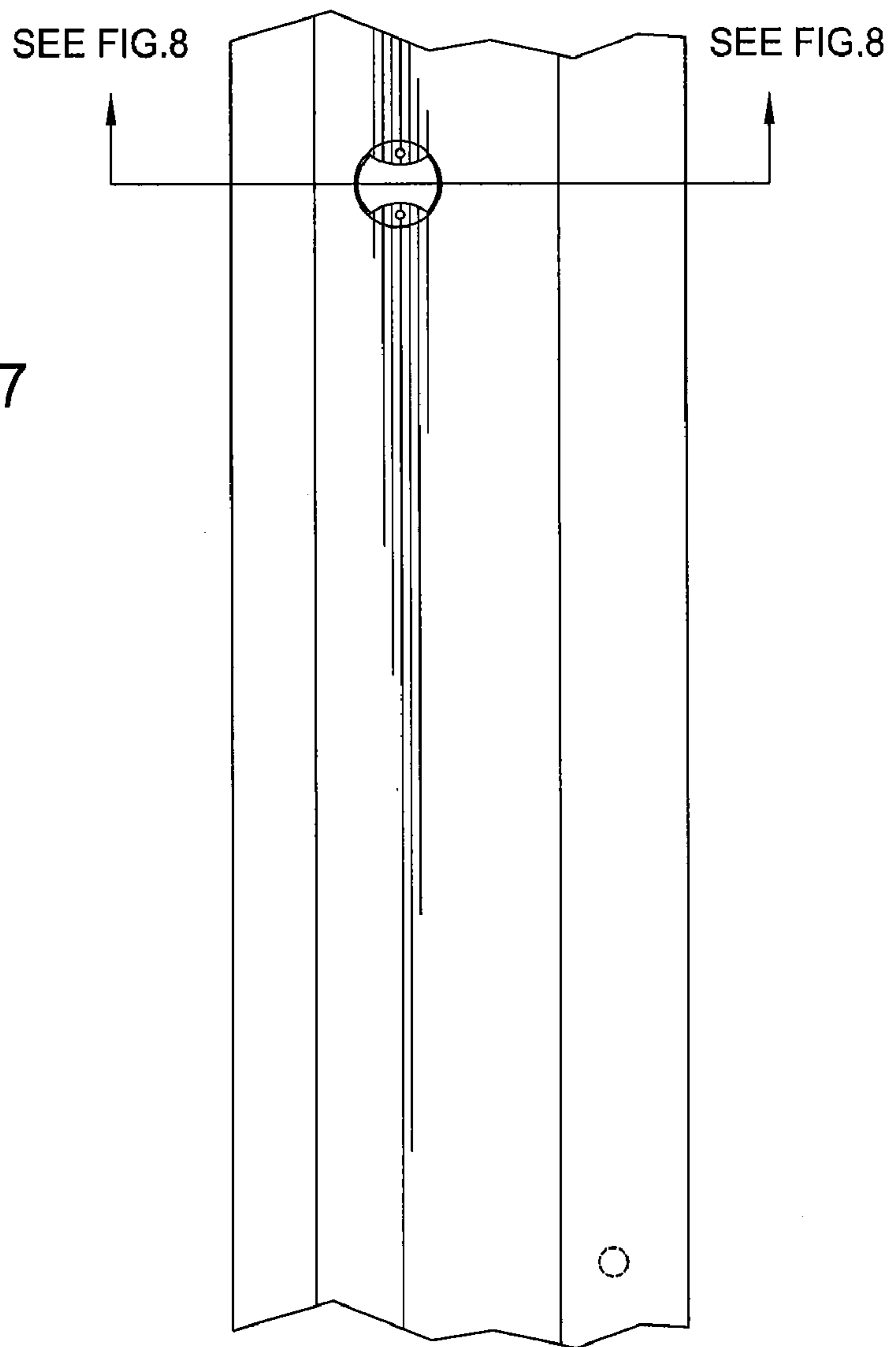


FIG. 6



FIG. 8