



US00D631856S

(12) **United States Design Patent**  
**Altonen et al.**

(10) **Patent No.:** **US D631,856 S**  
(45) **Date of Patent:** **\*\* Feb. 1, 2011**

(54) **BUTTONS FOR A LOAD CONTROL DEVICE**

(75) Inventors: **Gregory Altonen**, Easton, PA (US);  
**Elliot G. Jacoby**, Glenside, PA (US);  
**Noel Mayo**, Philadelphia, PA (US); **Joel S. Spira**, Coopersburg, PA (US)

(73) Assignee: **Lutron Electronics Co., Inc.**,  
Coopersburg, PA (US)

(\*\*) Term: **14 Years**

(21) Appl. No.: **29/360,753**

(22) Filed: **Apr. 30, 2010**

(51) **LOC (9) Cl.** ..... **13-03**

(52) **U.S. Cl.** ..... **D13/174; D13/168**

(58) **Field of Classification Search** ..... D13/164,  
D13/168, 171, 174; D10/104, 106; D14/218,  
D14/247; 200/5 R, 5 A, 293, 296; 315/158,  
315/291-296; 340/825.22, 825.24, 825.25,  
340/825.31, 825.36, 825.69, 825.72; 341/176;  
348/734; 455/352

See application file for complete search history.

(56) **References Cited**

**U.S. PATENT DOCUMENTS**

D320,786 S	10/1991	Darnell et al.
D323,488 S	1/1992	Darnell et al.
D370,663 S	6/1996	Swain et al.
D378,814 S	4/1997	Adams et al.
5,637,964 A *	6/1997	Hakkarainen et al. .... 315/295
D395,037 S	6/1998	Mayo et al.
D436,579 S	1/2001	Mayo et al.
D437,585 S	2/2001	Mayo et al.
D450,043 S	11/2001	Mosebrook
D453,742 S	2/2002	Butler et al.
D461,782 S	8/2002	Butler et al.
D462,332 S	9/2002	Mayo et al.
D490,780 S	6/2004	Mayo et al.
D505,922 S	6/2005	Mayo et al.
D507,244 S	7/2005	Mayo et al.
D518,447 S	4/2006	Spira

D527,711 S	9/2006	Spira et al.
D538,756 S	3/2007	Mayo et al.
D539,238 S	3/2007	Mayo et al.
D592,606 S	5/2009	Felegy, Jr. et al.
D592,607 S *	5/2009	Felegy et al. .... D13/168
D592,608 S	5/2009	Felegy, Jr. et al.
D592,611 S	5/2009	Altonen et al.
D596,143 S	7/2009	Felegy, Jr. et al.
D604,702 S	11/2009	Felegy, Jr. et al.
D606,030 S	12/2009	Felegy, Jr. et al.
D611,431 S *	3/2010	Snyder et al. .... D13/168
D611,915 S *	3/2010	Felegy et al. .... D13/168

(Continued)

**OTHER PUBLICATIONS**

Lutron Electronics Co., Inc., RadioRA Visor Control Transmitter Specification Submittal Sheet, Jan. 2002, 2 pages.

(Continued)

*Primary Examiner*—Selina Sikder

(74) *Attorney, Agent, or Firm*—Mark E. Rose; Philip N. Smith; Bridget L. McDonough

(57)

**CLAIM**

We claim the ornamental design for buttons for a load control device, as shown and described.

**DESCRIPTION**

FIG. 1 is a perspective view of buttons for a load control device according to our new design.

FIG. 2 is a front view thereof.

FIG. 3 is a left side view thereof.

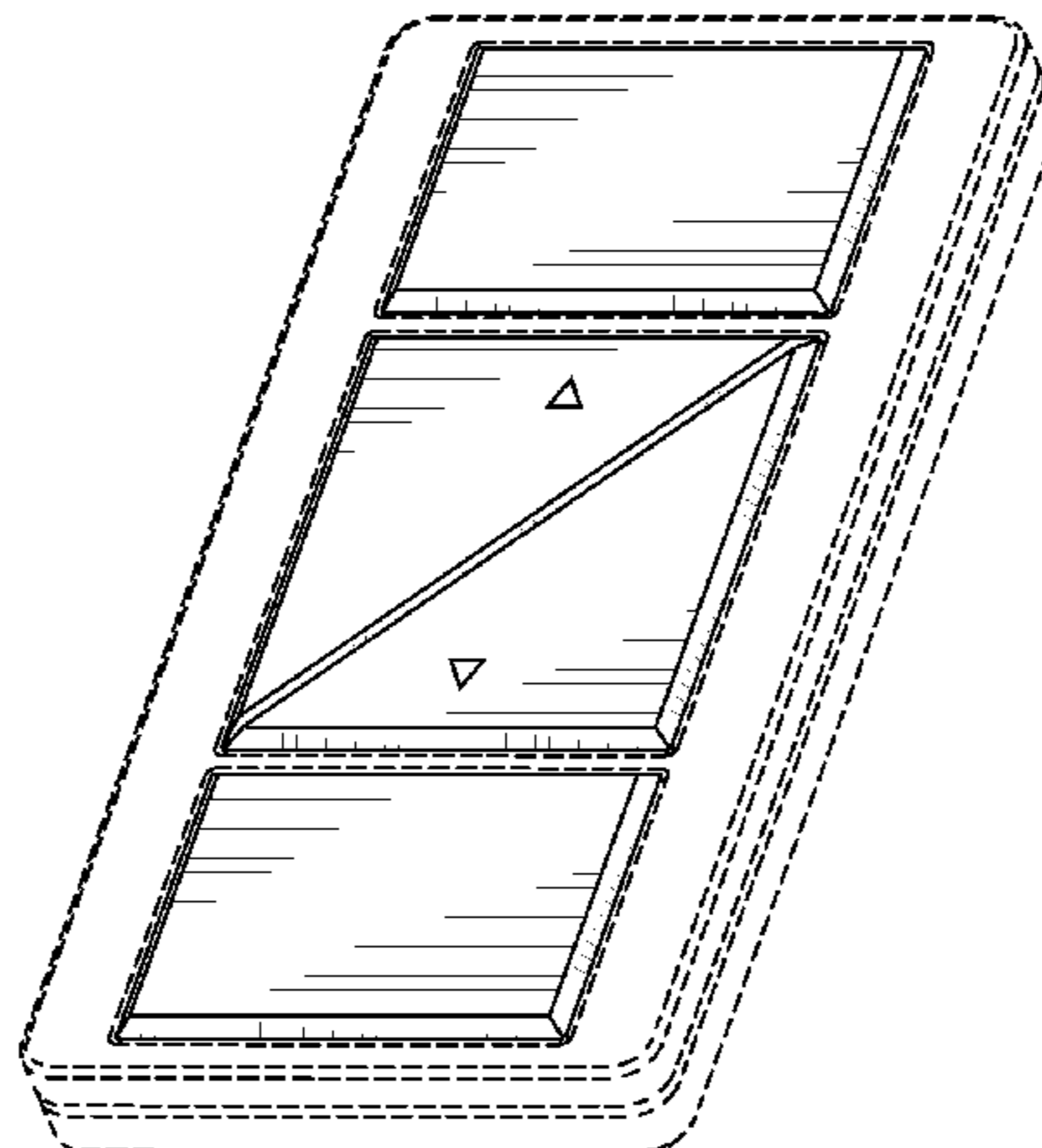
FIG. 4 is a right side view thereof.

FIG. 5 is a top view thereof; and,

FIG. 6 is a bottom view thereof.

The rear view forms no part of the design and is omitted. The portions of the drawings appearing in broken line are for environment only and do not form a part of the claimed design.

**1 Claim, 4 Drawing Sheets**



# US D631,856 S

Page 2

---

## U.S. PATENT DOCUMENTS

D614,589	S	4/2010	Altonen et al.	
D615,046	S	5/2010	Felegy, Jr. et al.	
D616,835	S	6/2010	Felegy, Jr. et al.	
D616,836	S	6/2010	Felegy, Jr. et al.	
D619,105	S	7/2010	Felegy, Jr. et al.	
D619,106	S	7/2010	Felegy, Jr. et al.	
D623,605	S *	9/2010	Flowers et al.	D13/168
2009/0251352	A1 *	10/2009	Altonen et al.	341/176
2010/0026195	A1 *	2/2010	Potter	315/158

## OTHER PUBLICATIONS

Lutron Electronics Co., Inc., RadioRA Visor Control Transmitter Installation Instruction Sheet, Nov. 2001, 2 pages.

Lutron Electronics Co., Inc., Aurora Wireless Lighting Control Brochure, Nov. 2006, 2 pages.

Lutron Electronics Co., Inc., Maestro Wireless Remote Lighting Control Brochure, Sep. 2007, 2 pages.

U.S. Appl. No. 29/360,748, filed Apr. 30, 2010, Felegy, Jr. et al.

U.S. Appl. No. 29/360,752, filed Apr. 30, 2010, Felegy, Jr. et al.

U.S. Appl. No. 29/360,755, filed Apr. 30, 2010, Felegy, Jr. et al.

U.S. Appl. No. 29/360,782, filed Apr. 30, 2010, Lind, III et al.

U.S. Appl. No. 29/360,784, filed Apr. 30, 2010, Lind, III et al.

U.S. Appl. No. 29/363,118, filed Jun. 4, 2010, Blair et al.

U.S. Appl. No. 29/363,120, filed Jun. 4, 2010, Blair et al.

\* cited by examiner

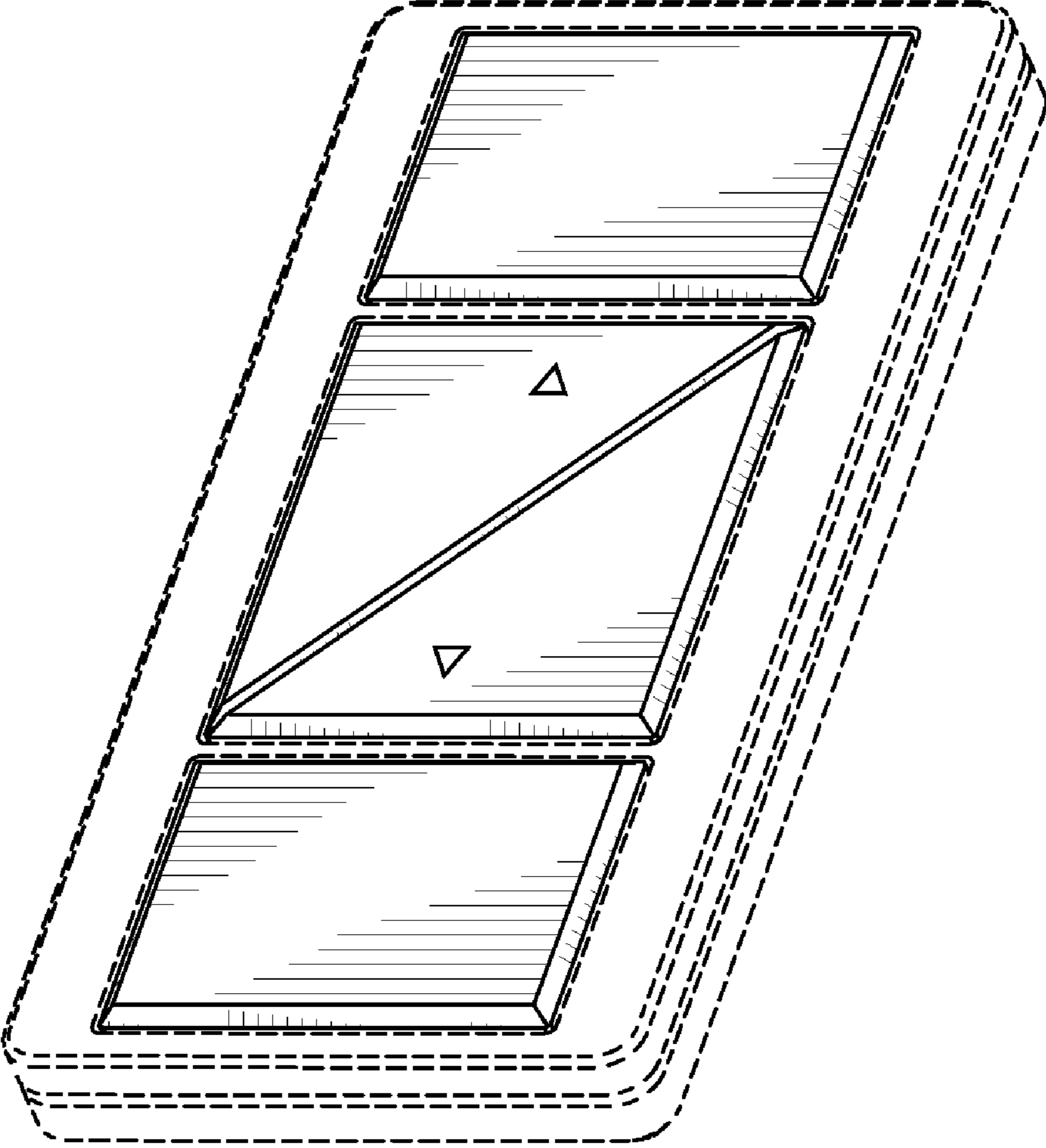


Fig. 1

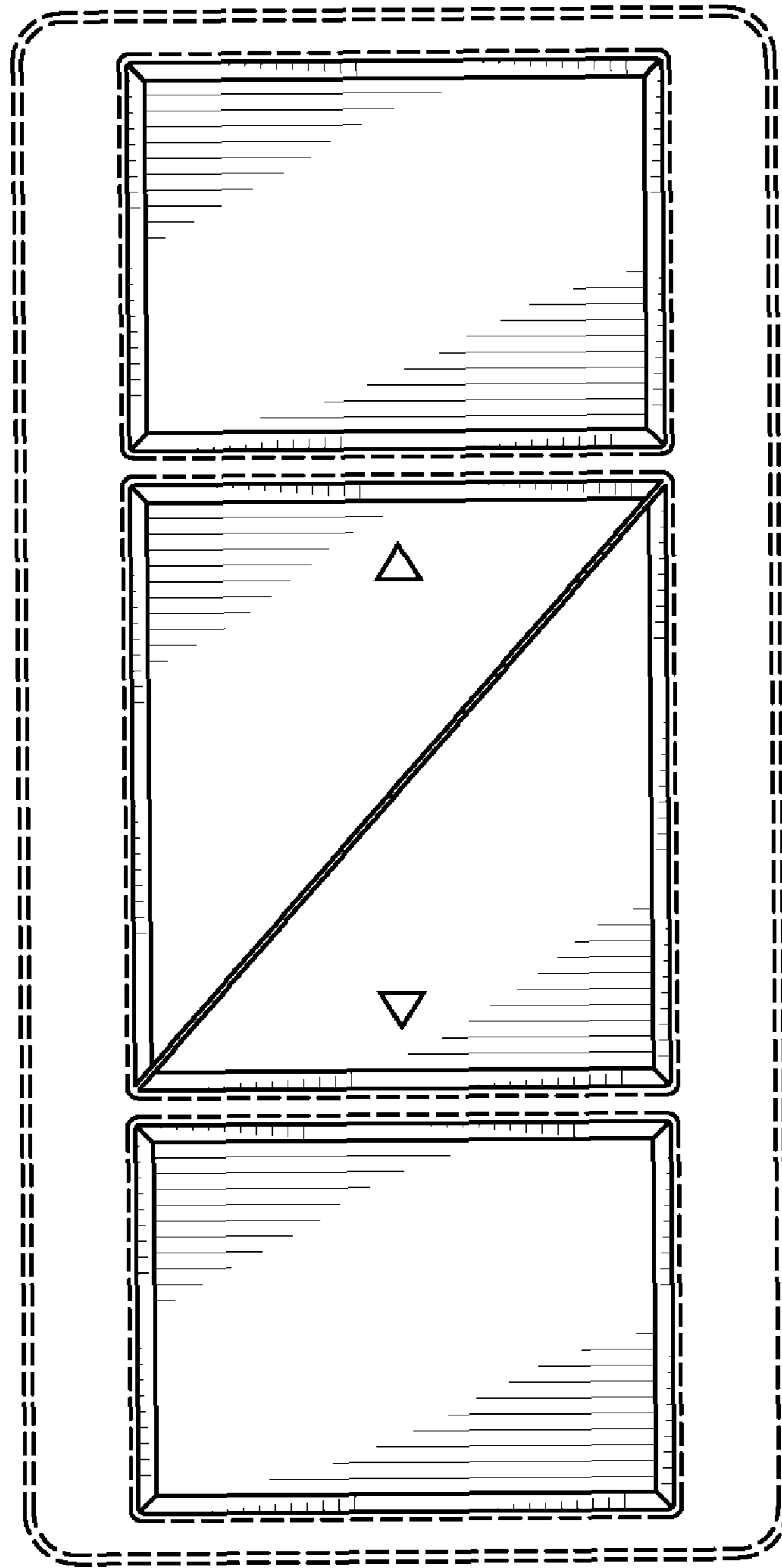


Fig. 2

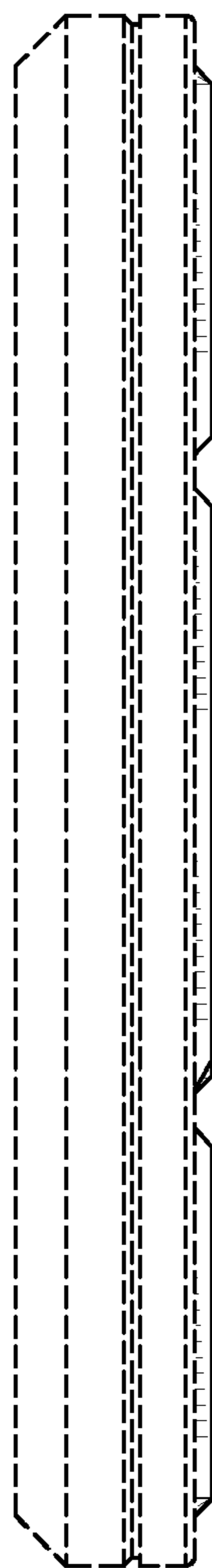


Fig. 3

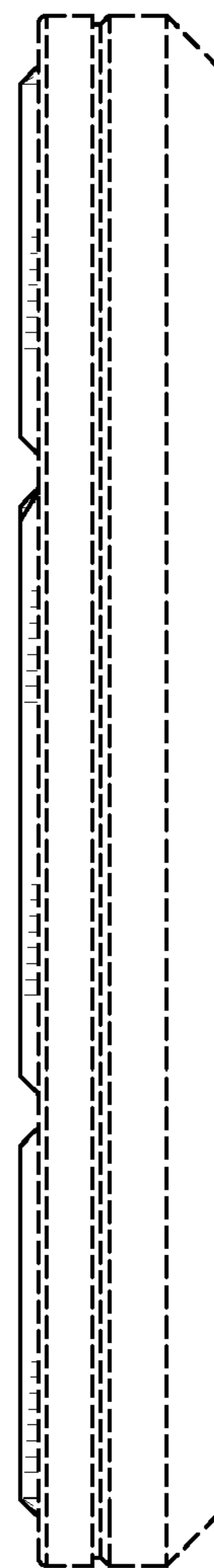


Fig. 4

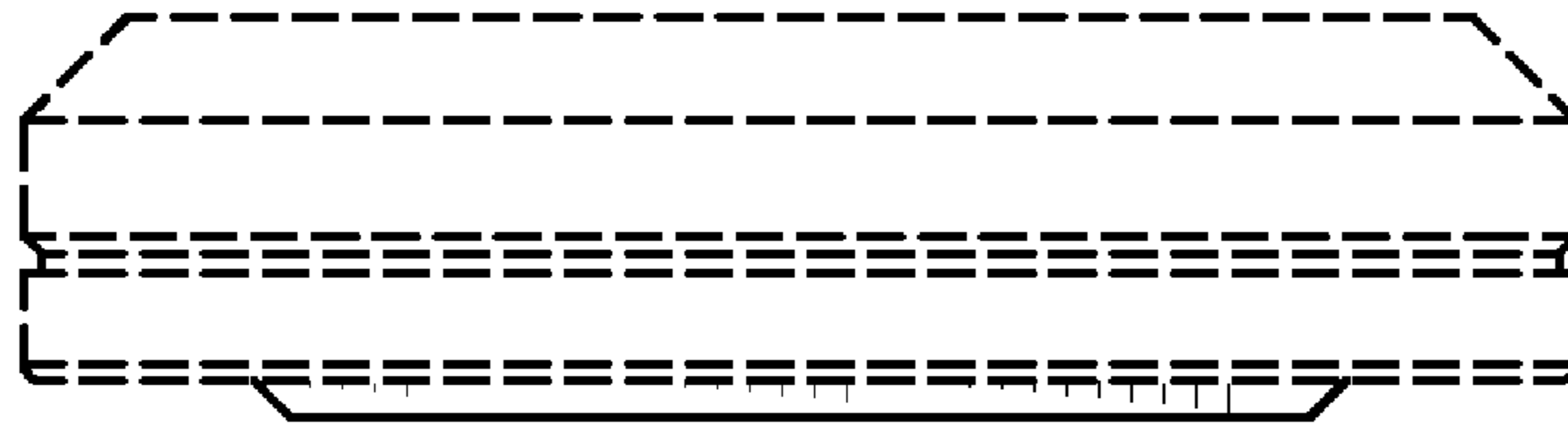


Fig. 5



Fig. 6