



US00D631853S

(12) **United States Design Patent**
Choi et al.

(10) **Patent No.:** **US D631,853 S**

(45) **Date of Patent:** **** Feb. 1, 2011**

(54) **REMOTE CONTROL FOR A MASSAGE DEVICE**

(75) Inventors: **Byung Won Choi**, Asan-si (KR); **Seok Ki Lee**, Chunan-si (KR); **Jin Hee Kim**, Asan-si (KR); **Jae Yeon Jeon**, Chunan-si (KR)

(73) Assignee: **Ceragem Co., Ltd.**, Chunan-Si (KR)

(**) Term: **14 Years**

(21) Appl. No.: **29/356,762**

(22) Filed: **Mar. 2, 2010**

(51) **LOC (9) Cl.** **14-03**

(52) **U.S. Cl.** **D13/168**

(58) **Field of Classification Search** D13/168;
D14/218; D24/200, 215; 340/825.22, 825.24,
340/825.25, 825.31, 825.36, 825.69, 825.72;
341/176; 455/352; 348/734; 601/1, 72;
700/17

See application file for complete search history.

(56) **References Cited**

U.S. PATENT DOCUMENTS

D365,639 S *	12/1995	Teo et al.	D24/200
D382,543 S *	8/1997	Tsung	D13/168
6,117,094 A *	9/2000	Fujii	601/99
D442,564 S *	5/2001	Ohkuma	D13/168
D447,742 S *	9/2001	Cornille	D14/218

D495,801 S *	9/2004	Kim	D24/200
6,899,687 B2 *	5/2005	Hori et al.	601/1
D531,136 S *	10/2006	Schoenert et al.	D13/168
D533,516 S *	12/2006	Murata et al.	D13/168
D584,696 S *	1/2009	Howman et al.	D13/168
D607,846 S *	1/2010	Daniels	D13/168
D618,628 S *	6/2010	Giugiaro	D13/168
2005/0090768 A1 *	4/2005	Brattesani et al.	601/70
2009/0126115 A1 *	5/2009	Doering et al.	5/616

* cited by examiner

Primary Examiner—Selina Sikder

(74) *Attorney, Agent, or Firm*—IPLA P.A.; James E. Bame

(57) **CLAIM**

The ornamental design for a remote control for a massaging device, as shown and described.

DESCRIPTION

FIG. 1 is a perspective view of a remote control for a massaging device showing our new design;

FIG. 2 is a front elevational view thereof;

FIG. 3 is a side elevational view thereof, the other side being a mirror image;

FIG. 4 is a top plan view thereof; and,

FIG. 5 is a bottom plan view thereof.

The broken line showing is for illustrative purposes only and forms no part of the claimed design.

1 Claim, 4 Drawing Sheets

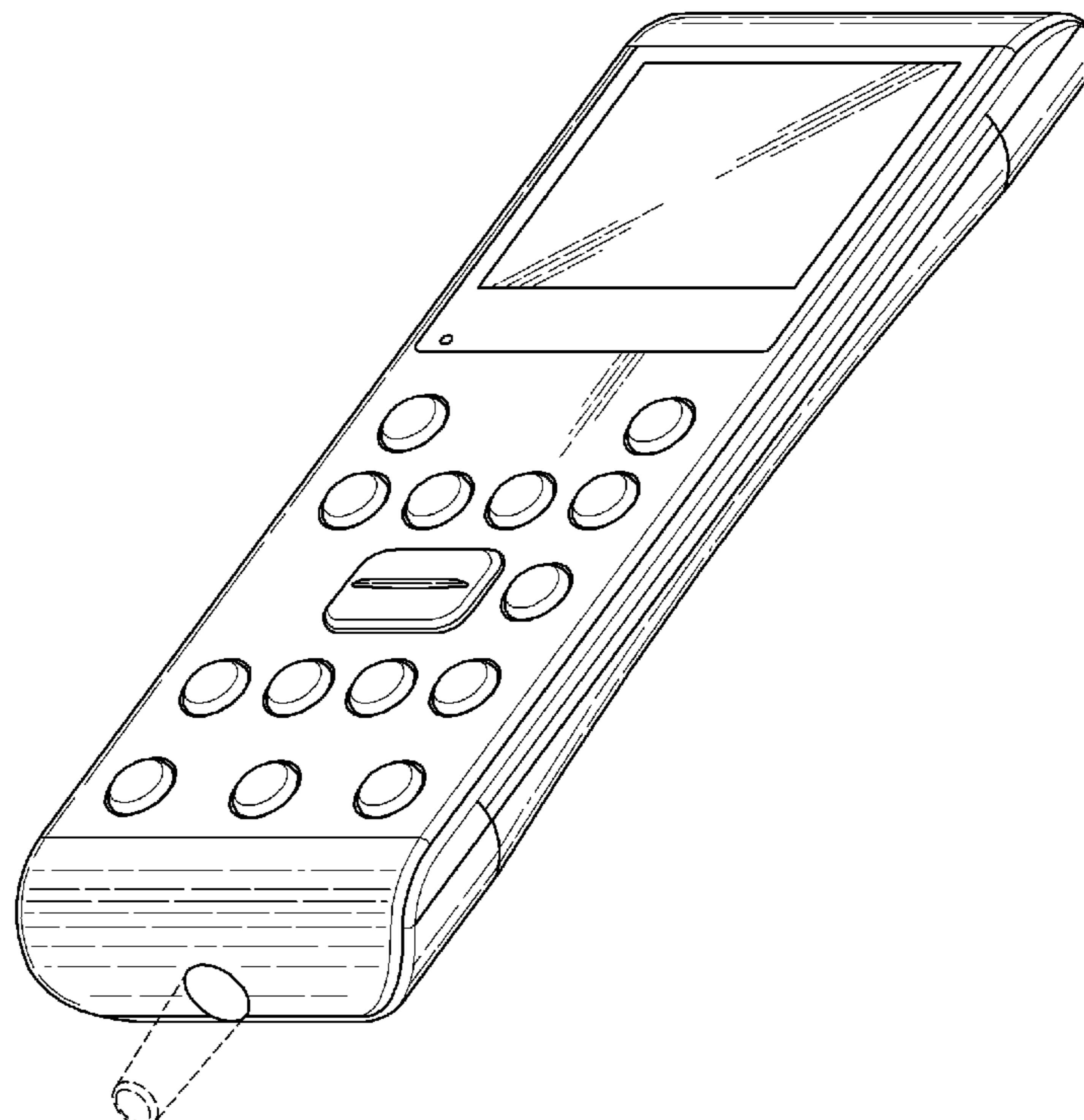


FIG. 1

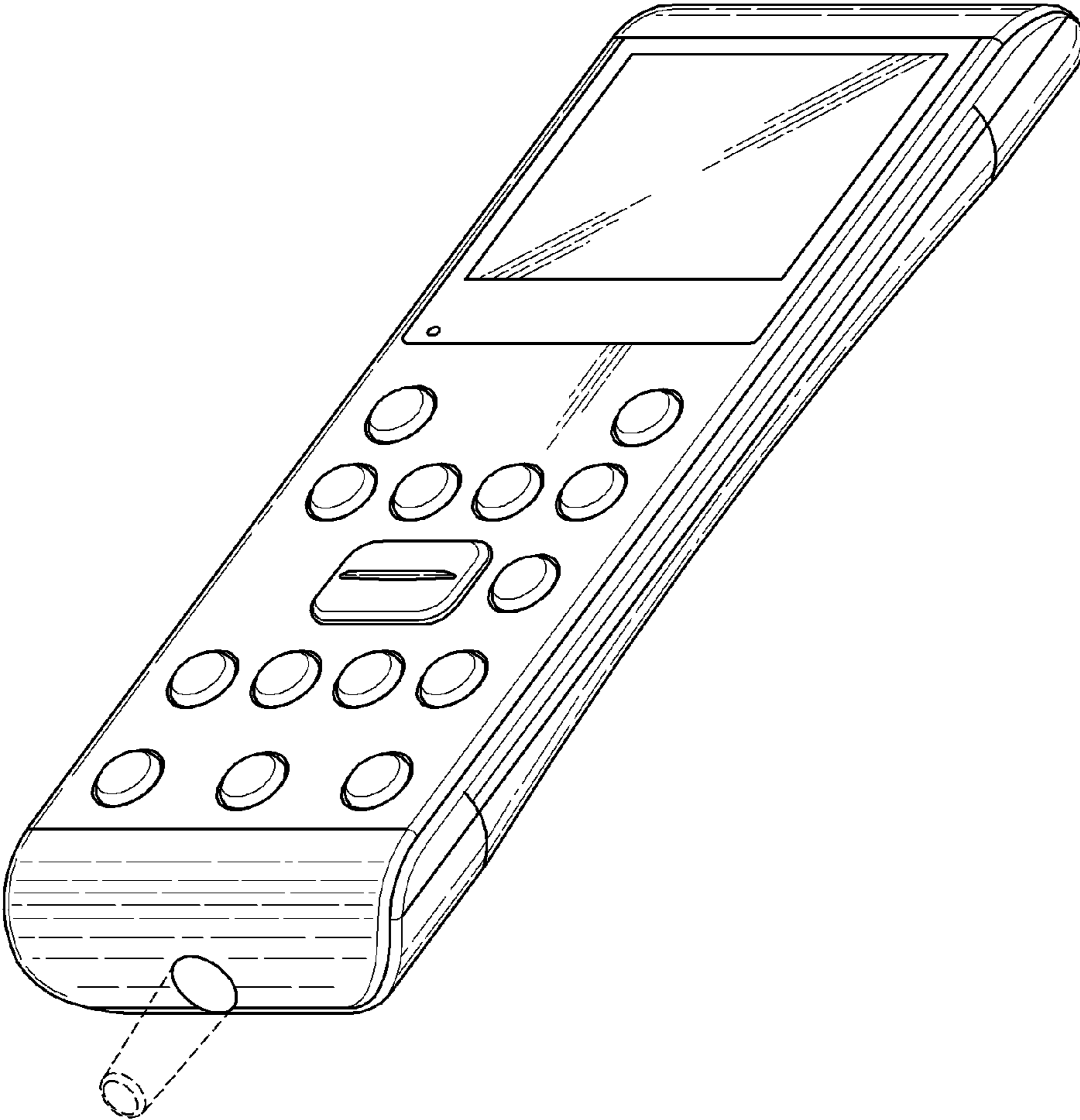


FIG. 2

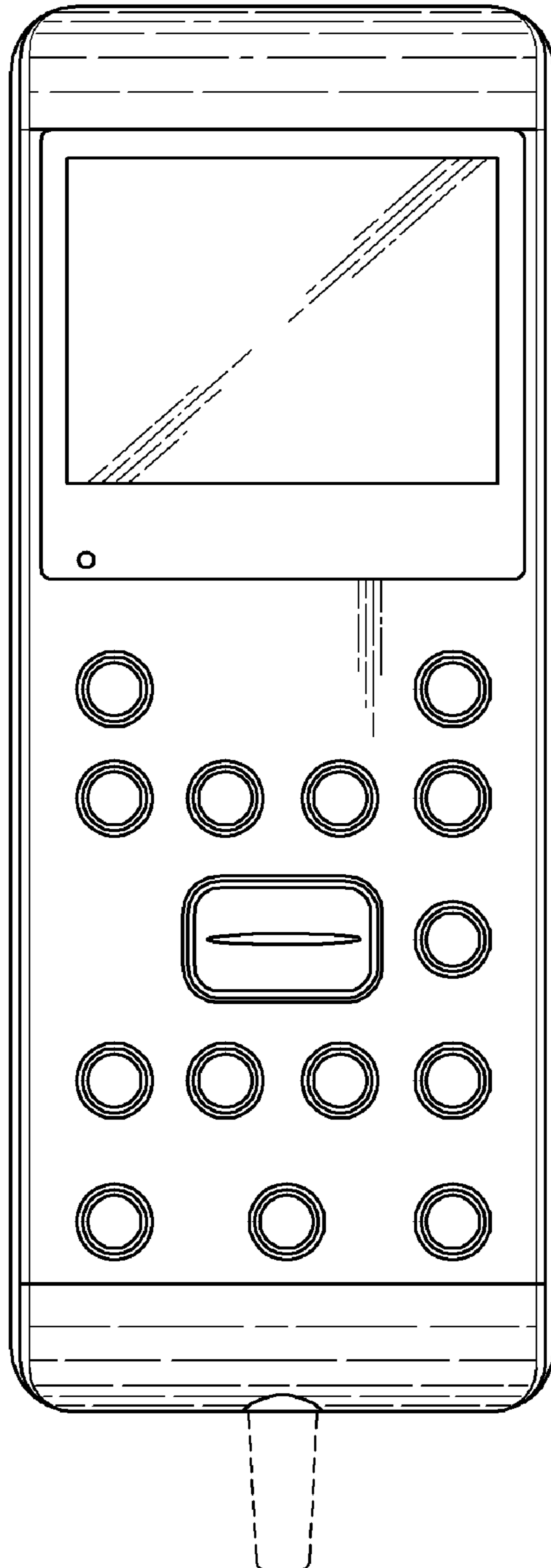


FIG. 3

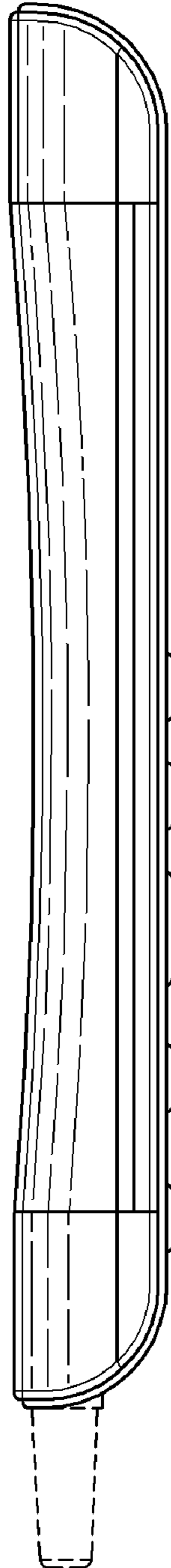


FIG. 4

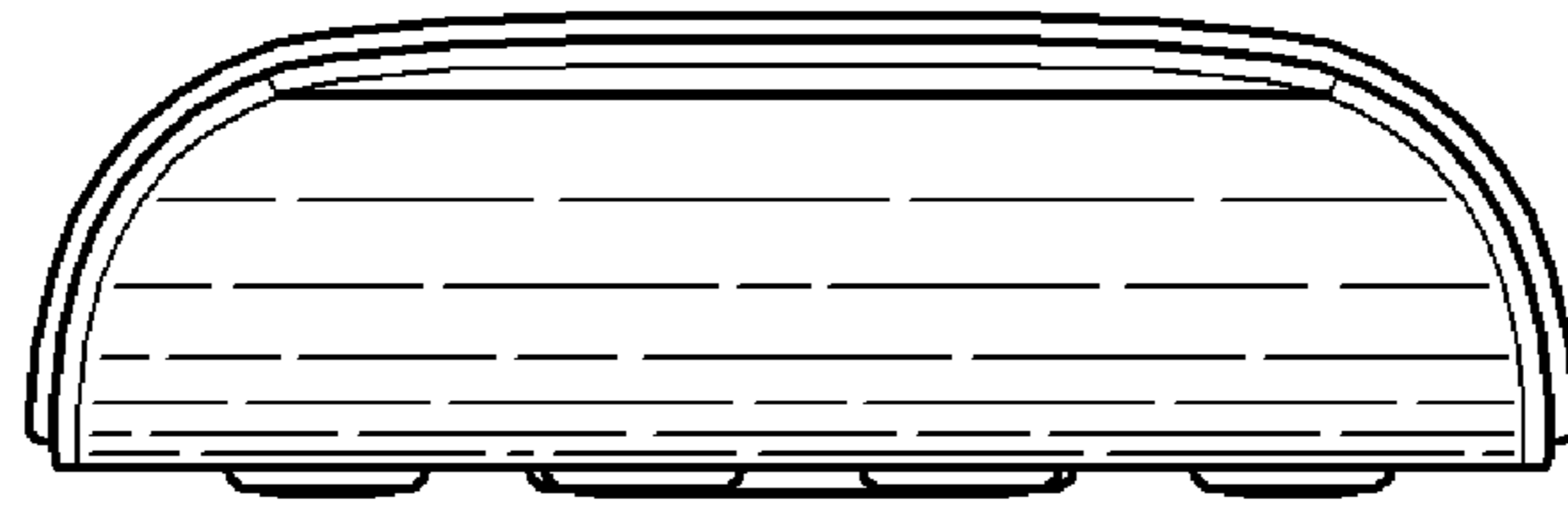


FIG. 5

