



US00D631852S

(12) **United States Design Patent**  
**Clymer et al.**

(10) **Patent No.:** **US D631,852 S**

(45) **Date of Patent:** **\*\* \*Feb. 1, 2011**

(54) **TABLETOP REMOTE CONTROL KEYPAD**

D485,534 S 1/2004 Mayo et al.  
D490,780 S 6/2004 Mayo et al.

(75) Inventors: **Erica L. Clymer**, Nazareth, PA (US);  
**Elliot G. Jacoby**, Glenside, PA (US);  
**David William Petrillo**, Bethlehem, PA  
(US); **Joel S. Spira**, Coopersburg, PA  
(US)

(Continued)

FOREIGN PATENT DOCUMENTS

CA 123790 S 6/2009

(73) Assignee: **Lutron Electronics Co., Inc.**,  
Coopersburg, PA (US)

OTHER PUBLICATIONS

(\*) Notice: This patent is subject to a terminal disclaimer.

Crestron Electronics, Inc., Keypads Overview, 2004, 2 pages.

(Continued)

(\*\*) Term: **14 Years**

*Primary Examiner*—Selina Sikder

(21) Appl. No.: **29/356,293**

(74) *Attorney, Agent, or Firm*—Mark E. Rose; Philip N. Smith; Bridget L. McDonough

(22) Filed: **Feb. 23, 2010**

(57) **CLAIM**

(51) **LOC (9) Cl.** ..... **14-03**

We claim the ornamental design for a tabletop remote control keypad, as shown and described.

(52) **U.S. Cl.** ..... **D13/168**

(58) **Field of Classification Search** ..... D13/168;

D10/104, 106; D14/218, 247; 340/825.22,

340/825.24, 825.25, 825.31, 825.36, 825.69,

340/825.72; 341/176; 455/352; 398/106

See application file for complete search history.

**DESCRIPTION**

FIG. 1 is a perspective view of a tabletop remote control keypad according to a first embodiment of our new design.

FIG. 2 is a front view thereof.

FIG. 3 is a left side view thereof.

FIG. 4 is a right side view thereof.

FIG. 5 is a top view thereof.

FIG. 6 is a bottom view thereof.

FIG. 7 is a perspective view of a tabletop remote control keypad according to a second embodiment of our new design.

FIG. 8 is a front view thereof; and,

FIG. 9 is a bottom view thereof, the left side, right side, and top views, respectively, of the second embodiment being identical to the left side, right side, and top views of the first embodiment.

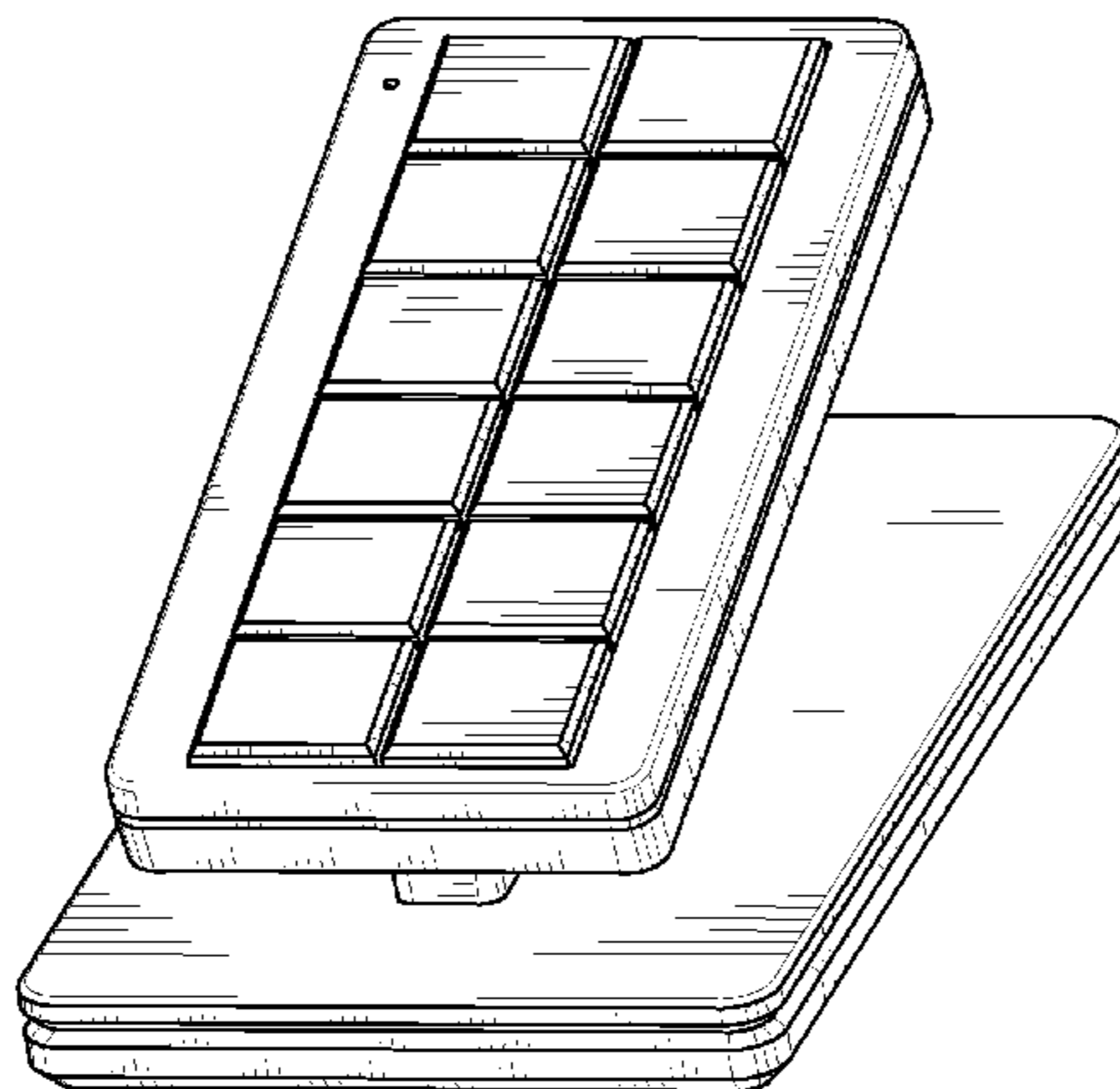
The rear views form no part of the design and are omitted.

(56) **References Cited**

U.S. PATENT DOCUMENTS

D397,996 S	9/1998	Smith	
D422,567 S	4/2000	Mayo et al.	
D453,742 S	2/2002	Butler et al.	
D456,783 S	5/2002	Mayo et al.	
D461,782 S	8/2002	Butler et al.	
D462,332 S	9/2002	Mayo et al.	
D464,635 S	10/2002	Oyama, Jr. et al.	
D465,460 S	11/2002	Mayo et al.	
D465,770 S	11/2002	Bennett et al.	
D466,090 S	11/2002	Bennett et al.	
D466,091 S	11/2002	Bennett et al.	
D466,484 S	12/2002	Bennett et al.	
D475,024 S	5/2003	Bennett et al.	
D475,025 S	5/2003	Bennett et al.	
6,593,530 B2 *	7/2003	Hunt	174/66

**1 Claim, 7 Drawing Sheets**



# US D631,852 S

Page 2

## U.S. PATENT DOCUMENTS

D496,335 S 9/2004 Spira et al.  
6,930,260 B2\* 8/2005 Clegg et al. .... 200/5 A  
D509,805 S 9/2005 Spira  
D510,073 S 9/2005 Jacoby et al.  
D518,794 S\* 4/2006 Hedderich et al. .... D13/164  
D546,280 S 7/2007 Marchetto et al.  
D553,123 S 10/2007 Solland  
D554,107 S 10/2007 Calco et al.  
D557,259 S 12/2007 Hirsch  
D592,606 S 5/2009 Felegy, Jr. et al.  
D592,607 S 5/2009 Felegy, Jr. et al.  
D592,608 S 5/2009 Felegy, Jr. et al.  
D592,609 S 5/2009 Felegy, Jr. et al.  
D596,143 S 7/2009 Felegy, Jr. et al.  
D602,446 S 10/2009 Felegy, Jr. et al.  
D604,702 S 11/2009 Felegy, Jr. et al.  
D606,030 S 12/2009 Felegy, Jr. et al.  
D611,431 S 3/2010 Snyder et al.  
D611,915 S 3/2010 Felegy, Jr. et al.  
D614,146 S 4/2010 Felegy, Jr. et al.  
D614,147 S 4/2010 Snyder et al.  
D614,588 S 4/2010 Snyder et al.

D615,046 S 5/2010 Felegy, Jr. et al.

## OTHER PUBLICATIONS

Vantage Controls Inc., Vantage Online Binder, 2004, pp. 1, 3-4, 7, 33-34, 113.  
Lutron Electronics Co., Inc., NTGRX-LB6 Specification Submittal Sheet, Jan. 16, 2004, 6 pages.  
Lutron Electronics Co Inc., RadioRA Visor Control Transmitter Specification Submittal Sheet, Jan. 2002, 2 pages.  
Lutron Electronics Co Inc., RadioRA Visor Control Transmitter Installation Instruction Sheet, Nov. 2001, 2 pages.  
Lutron Electronics Co., Inc., Aurora Wireless Lighting Control Brochure, Nov. 2006, 2 pages.  
Lutron Electronics Co., Inc., Maestro Wireless Remote Lighting Control Brochure, Sep. 2007, 2 pages.  
Lutron Electronics Co., Inc., Stanza Hotel Guestrom Light Control Brochure, Feb. 20, 2008, 12 pages.  
U.S. Appl. No. 29/293,669, filed Dec. 4, 2007, Biery et al.  
U.S. Appl. No. 29/316,534, filed Oct. 5, 2009, Biery et al.  
U.S. Appl. No. 29/345,905, filed Oct. 23, 2009, Felegy, Jr. et al.  
U.S. Appl. No. 29/345,916, filed Oct. 23, 2009, Felegy, Jr. et al.  
U.S. Appl. No. 29/345,922, filed Oct. 23, 2009, Jacoby et al.  
U.S. Appl. No. 29/345,927, filed Oct. 23, 2009, Jacoby et al.  
U.S. Appl. No. 29/356,282, filed Feb. 23, 2010, Clymer et al.  
U.S. Appl. No. 29/356,287, filed Feb. 23, 2010, Clymer et al.  
U.S. Appl. No. 29/356,291, filed Feb. 23, 2010, Clymer et al.

\* cited by examiner

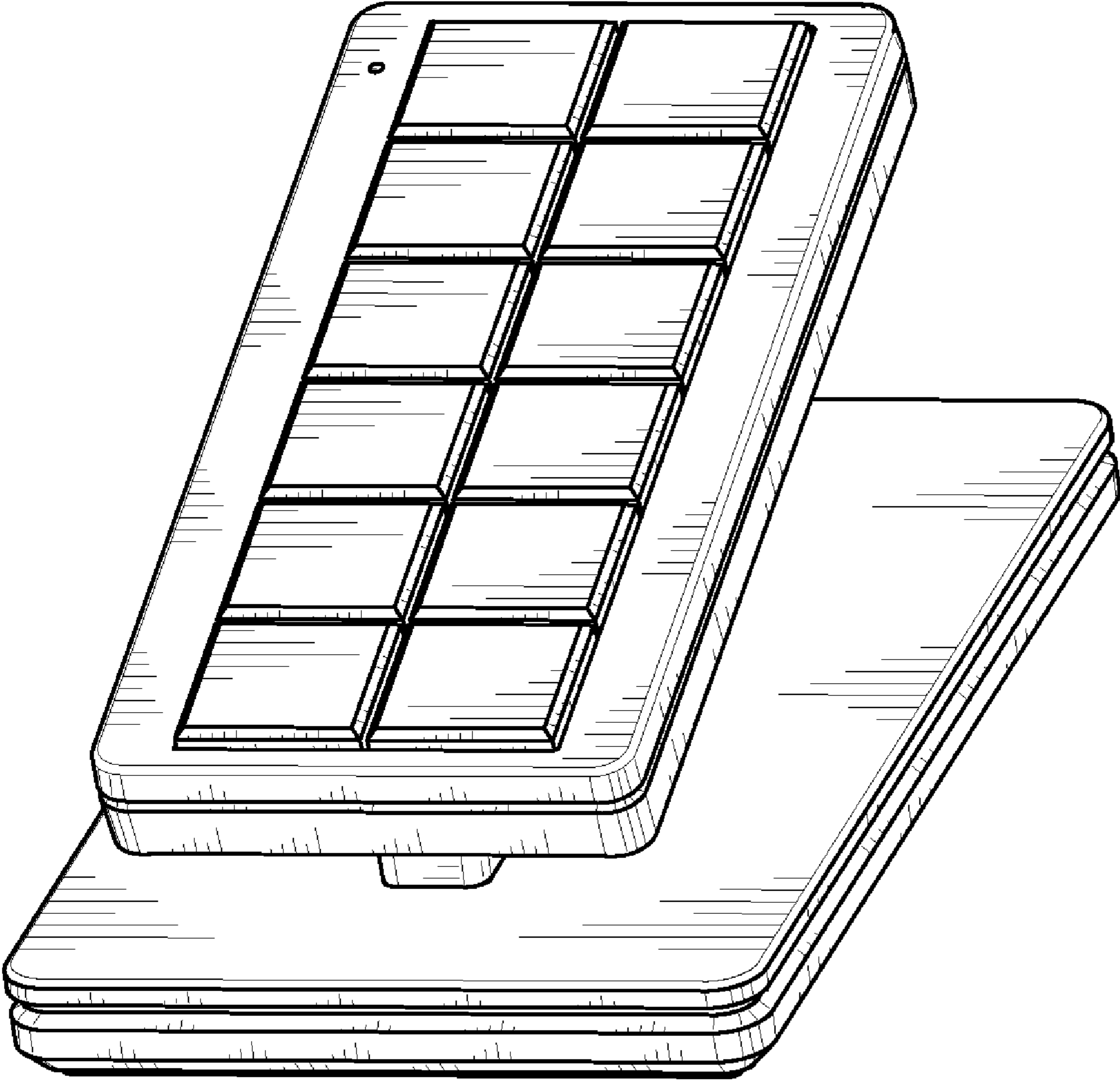


Fig. 1

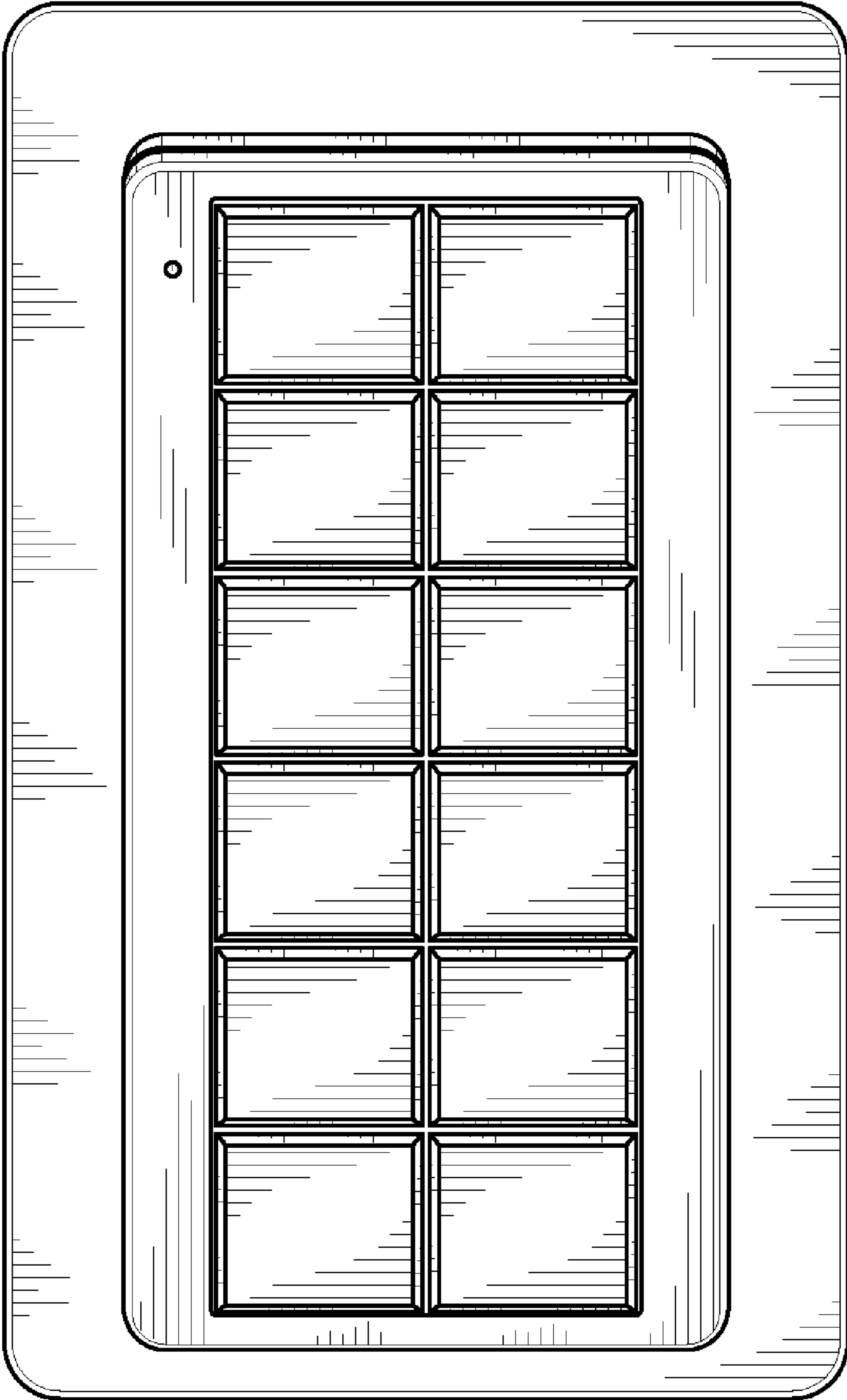


Fig. 2

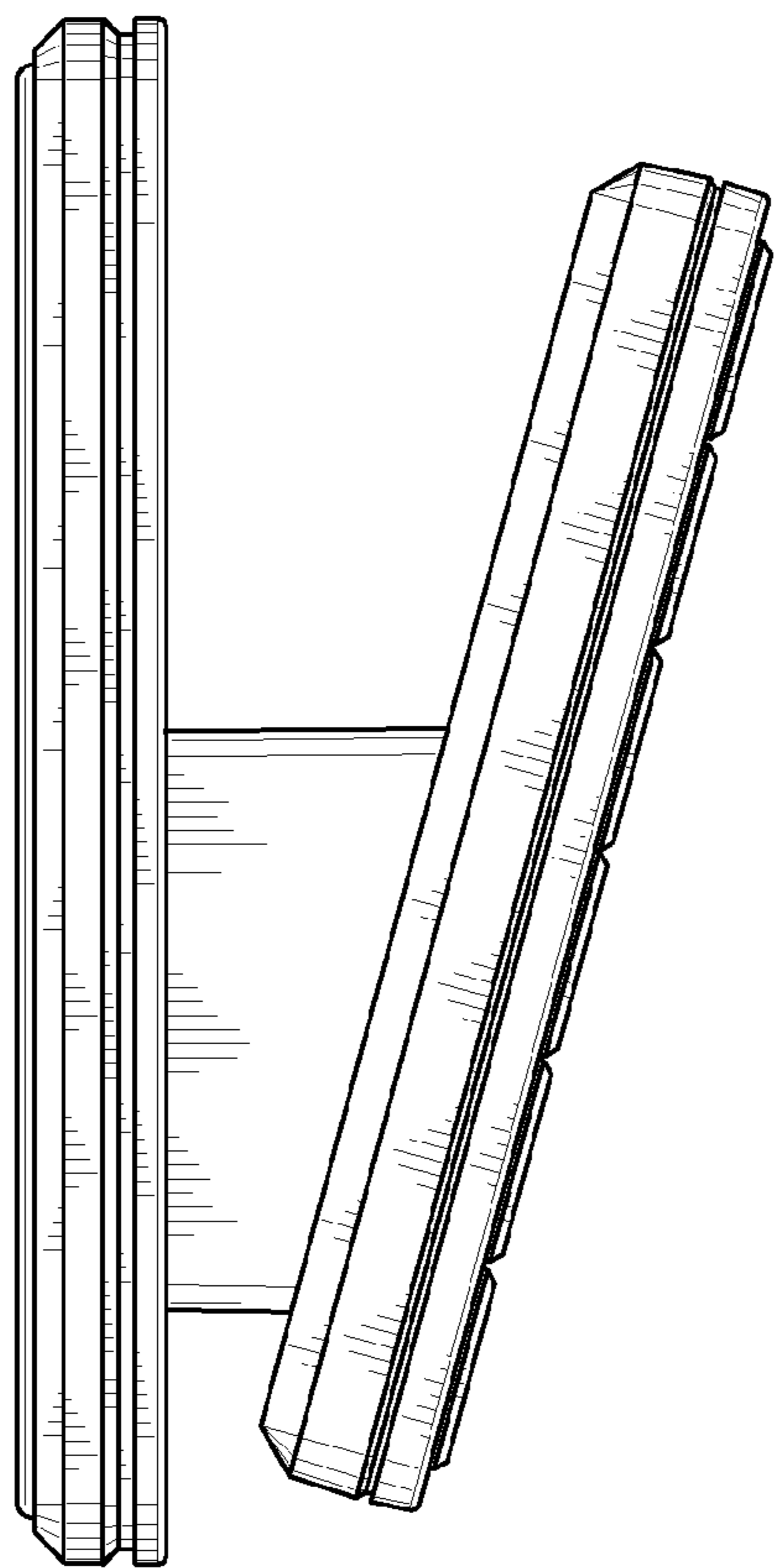


Fig. 3

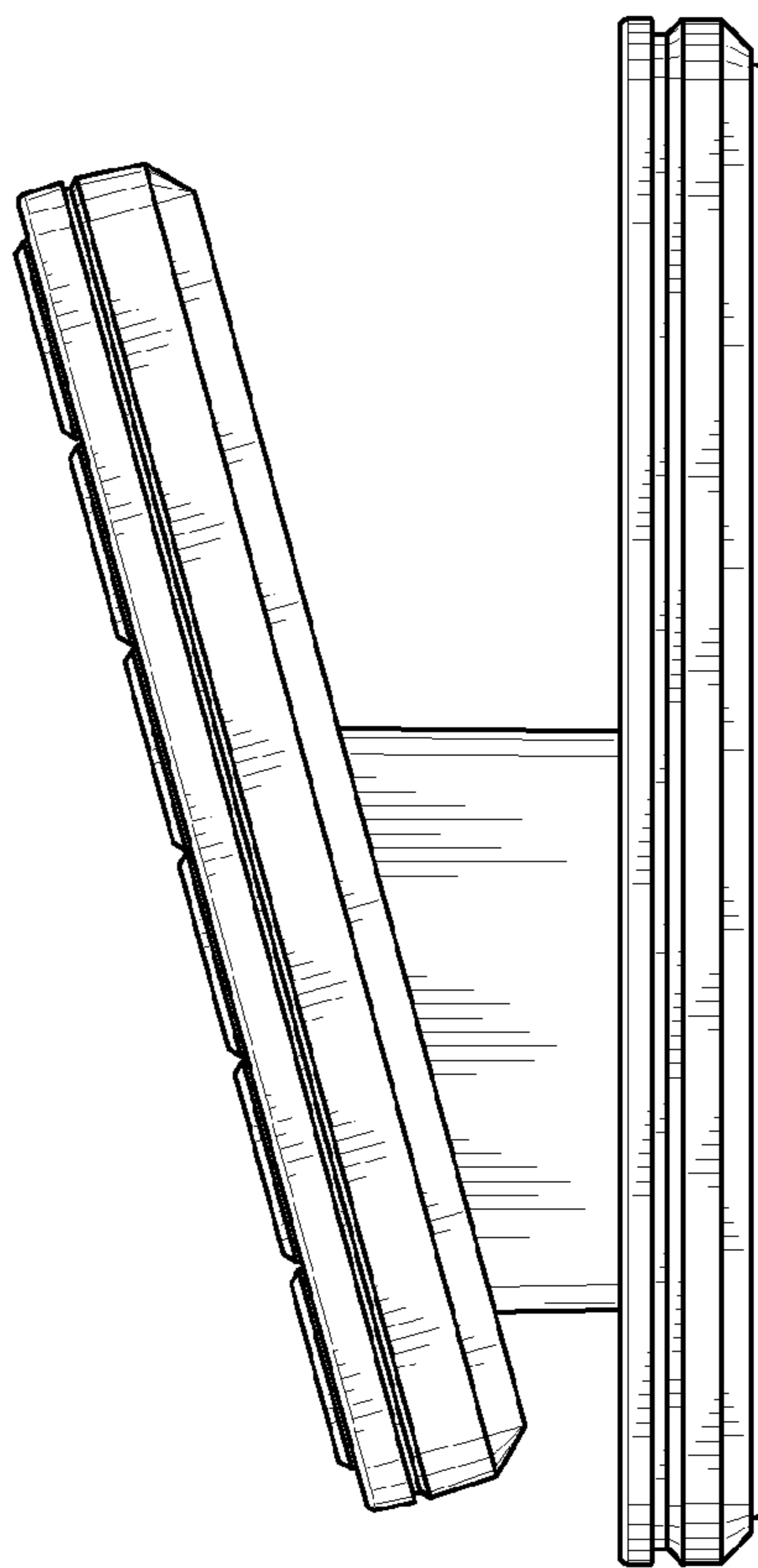


Fig. 4

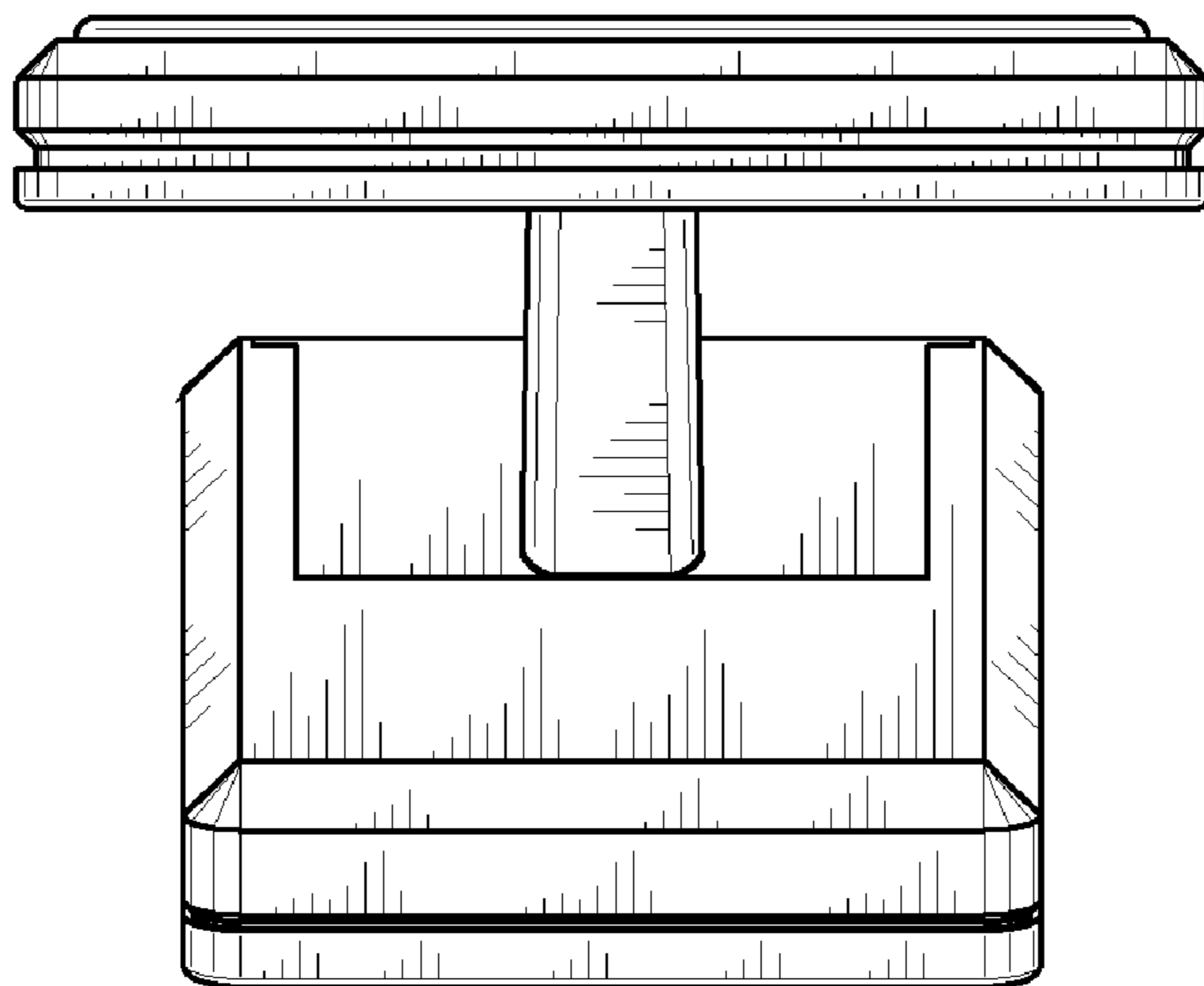


Fig. 5

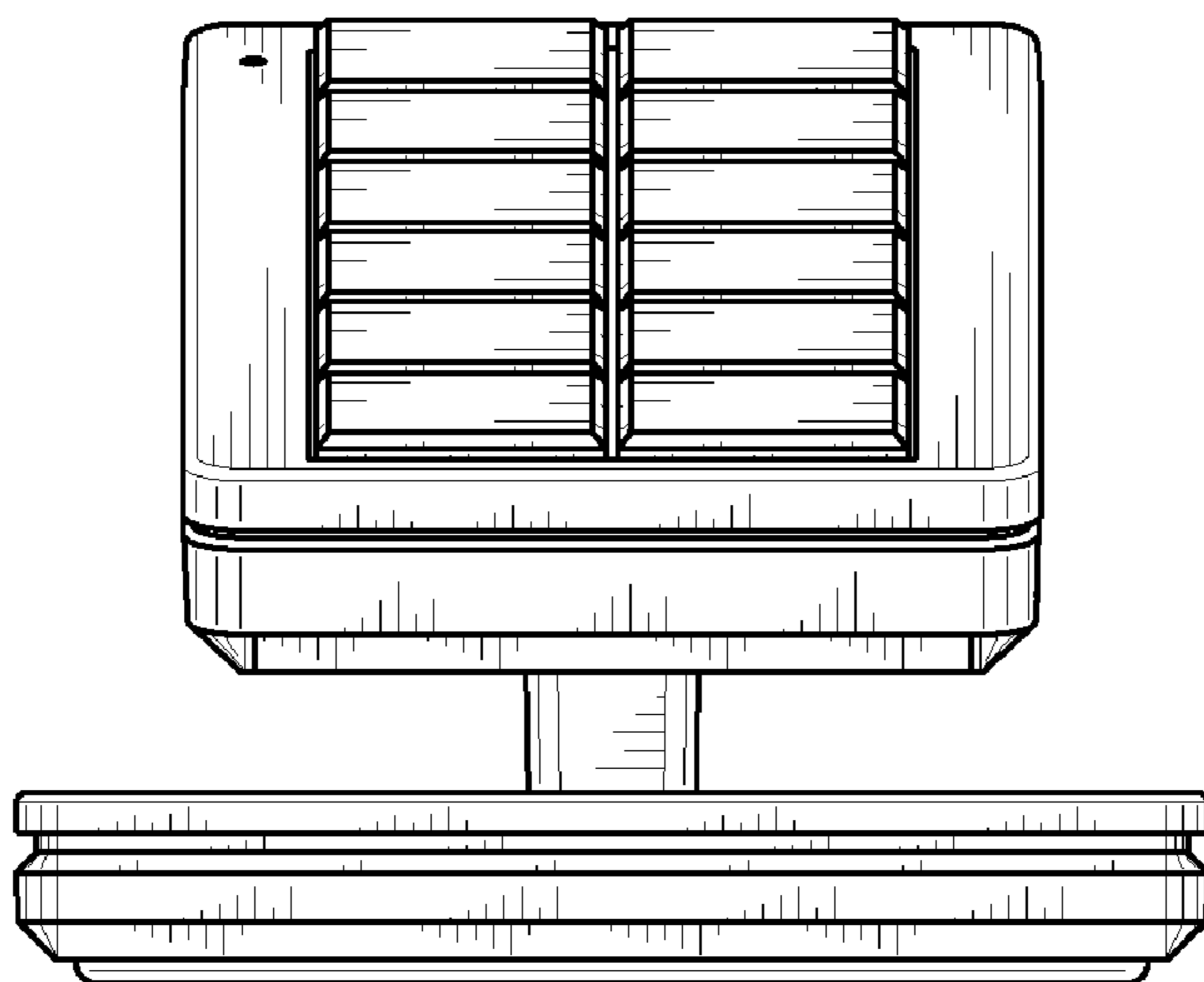


Fig. 6

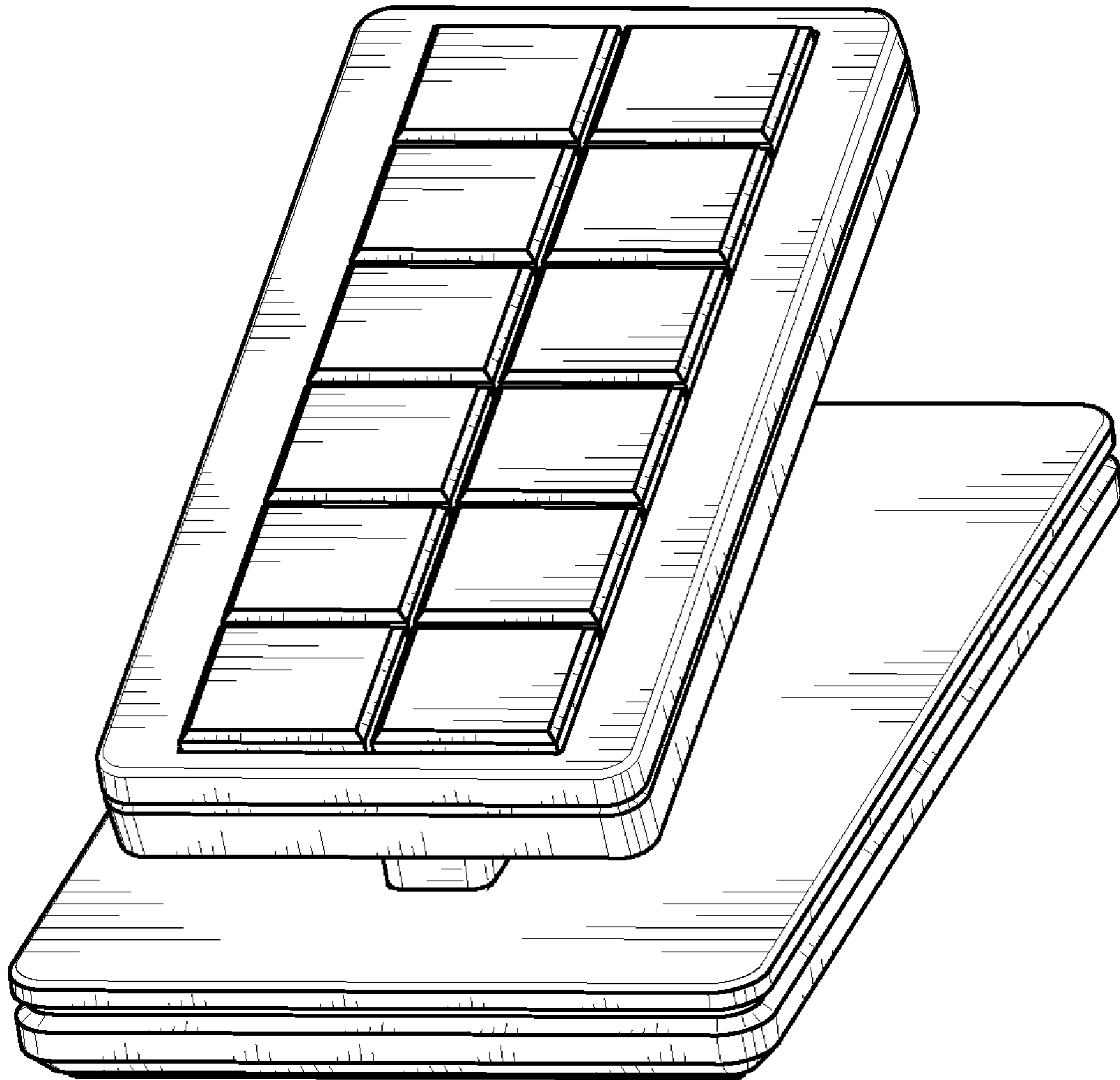


Fig. 7

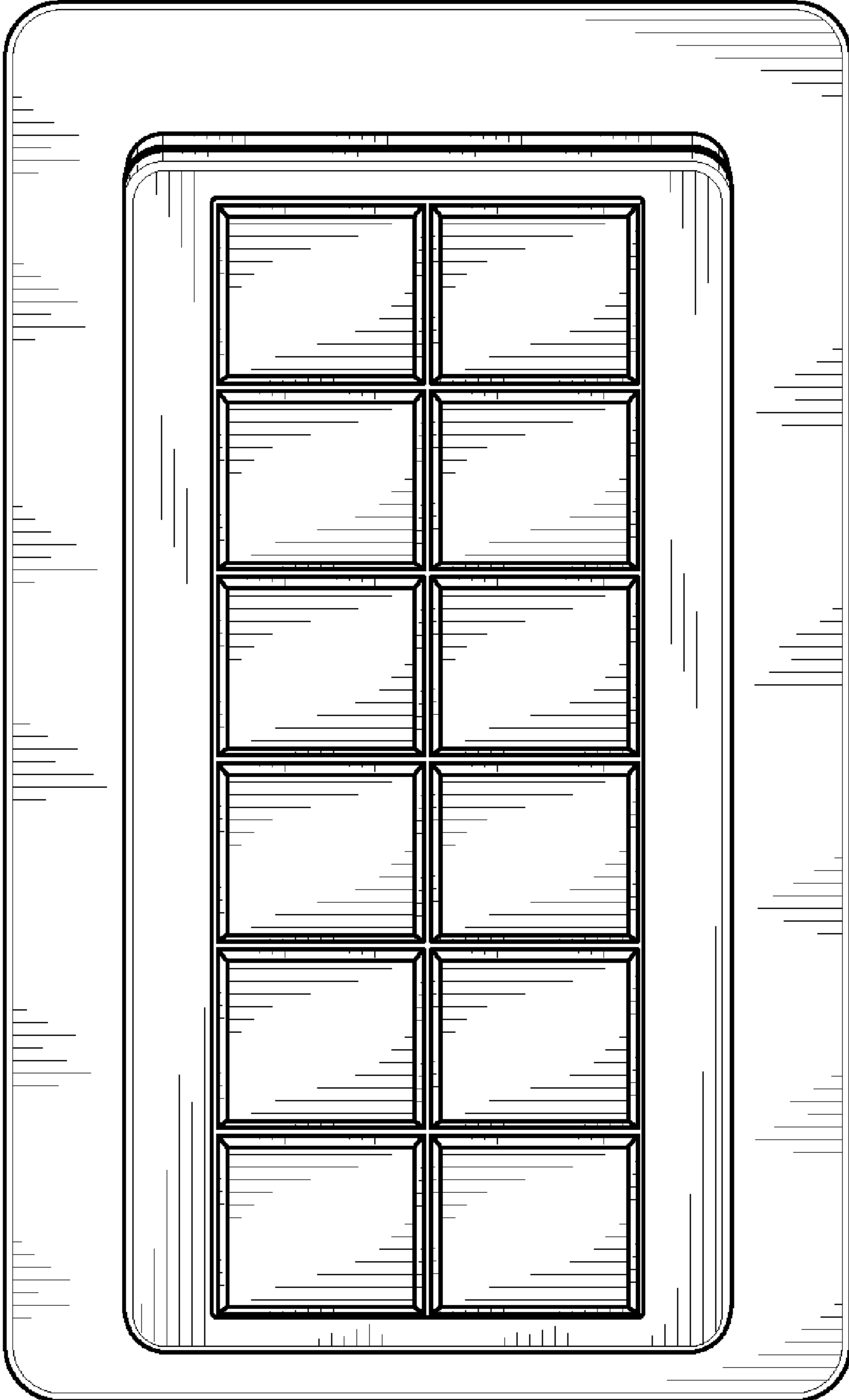


Fig. 8



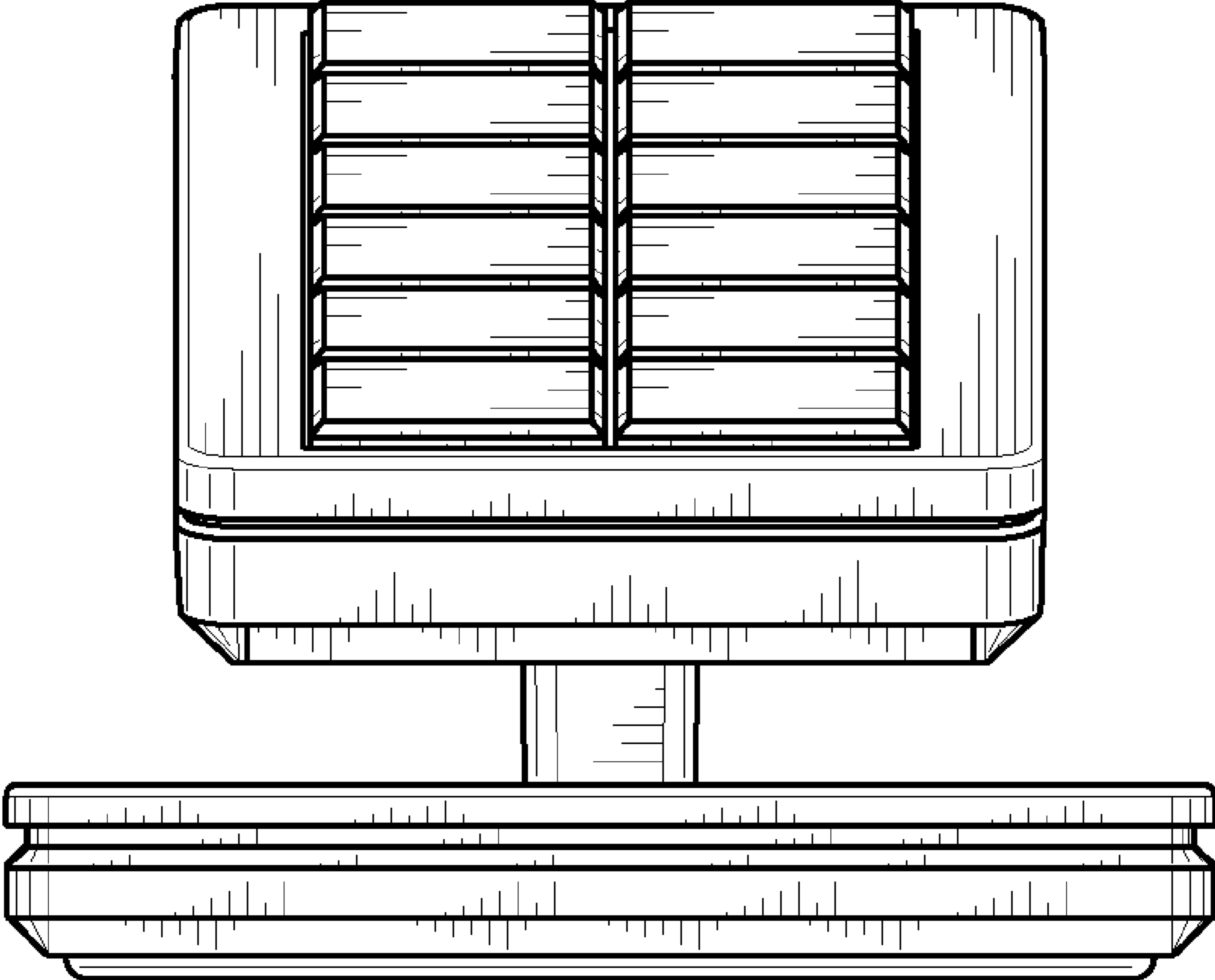


Fig. 9