



US00D631851S

(12) **United States Design Patent**
Smith et al.

(10) **Patent No.:** **US D631,851 S**

(45) **Date of Patent:** **** Feb. 1, 2011**

(54) **REMOTE CONTROL**

(75) Inventors: **Arran George Smith**, Malmesbury (GB); **Ian John Brough**, Malmesbury (GB); **Mon Shy Teyu**, Johor Bahru (MY); **Peter David Gammack**, Malmesbury (GB); **James Dyson**, Malmesbury (GB)

(73) Assignee: **Dyson Limited**, Malmesbury, Wiltshire (GB)

(**) Term: **14 Years**

(21) Appl. No.: **29/351,558**

(22) Filed: **Dec. 8, 2009**

(30) **Foreign Application Priority Data**

Jun. 24, 2009 (GB) 4011581

(51) **LOC (9) Cl.** **14-03**

(52) **U.S. Cl.** **D13/168**

(58) **Field of Classification Search** D32/31-34;
15/414-422.1, 236.04, 144.4, 144.3, 406,
15/104.05, 383, 377, 412, 400-402, 387,
15/322, 344; D14/218, 455; D13/168; D21/566;
345/169; 348/14.05, 211.99; 340/825.22;
455/92, 128, 151.1, 352

See application file for complete search history.

(56) **References Cited**

U.S. PATENT DOCUMENTS

D339,137 S * 9/1993 Takeda D14/218

D346,152 S * 4/1994 Zaugg D13/168

D361,058 S * 8/1995 Domel et al. D13/168
D416,909 S * 11/1999 Renk D14/218
D417,220 S * 11/1999 Godette et al. D14/218
D418,141 S * 12/1999 Godette et al. D14/218
D433,404 S * 11/2000 Thakur D14/218
D450,313 S * 11/2001 Koinuma D14/218
D546,782 S * 7/2007 Poulet et al. D13/168
D585,077 S * 1/2009 Sheba et al. D14/496
D595,669 S * 7/2009 Endo et al. D13/168
D597,879 S * 8/2009 Aikawa D10/104
D602,880 S * 10/2009 Tseng D13/168
D614,604 S * 4/2010 Hoehn et al. D14/218
D620,456 S * 7/2010 Akana et al. D13/168
D621,371 S * 8/2010 Sheppard et al. D13/168

* cited by examiner

Primary Examiner—Ruth McInroy

(74) *Attorney, Agent, or Firm*—Morrison & Foerster LLP

(57) **CLAIM**

We claim the ornamental design for a remote control, as shown and described.

DESCRIPTION

FIG. 1 is a perspective view of a remote control showing our new design;

FIG. 2 is a plan view thereof from above;

FIG. 3 is a bottom view thereof;

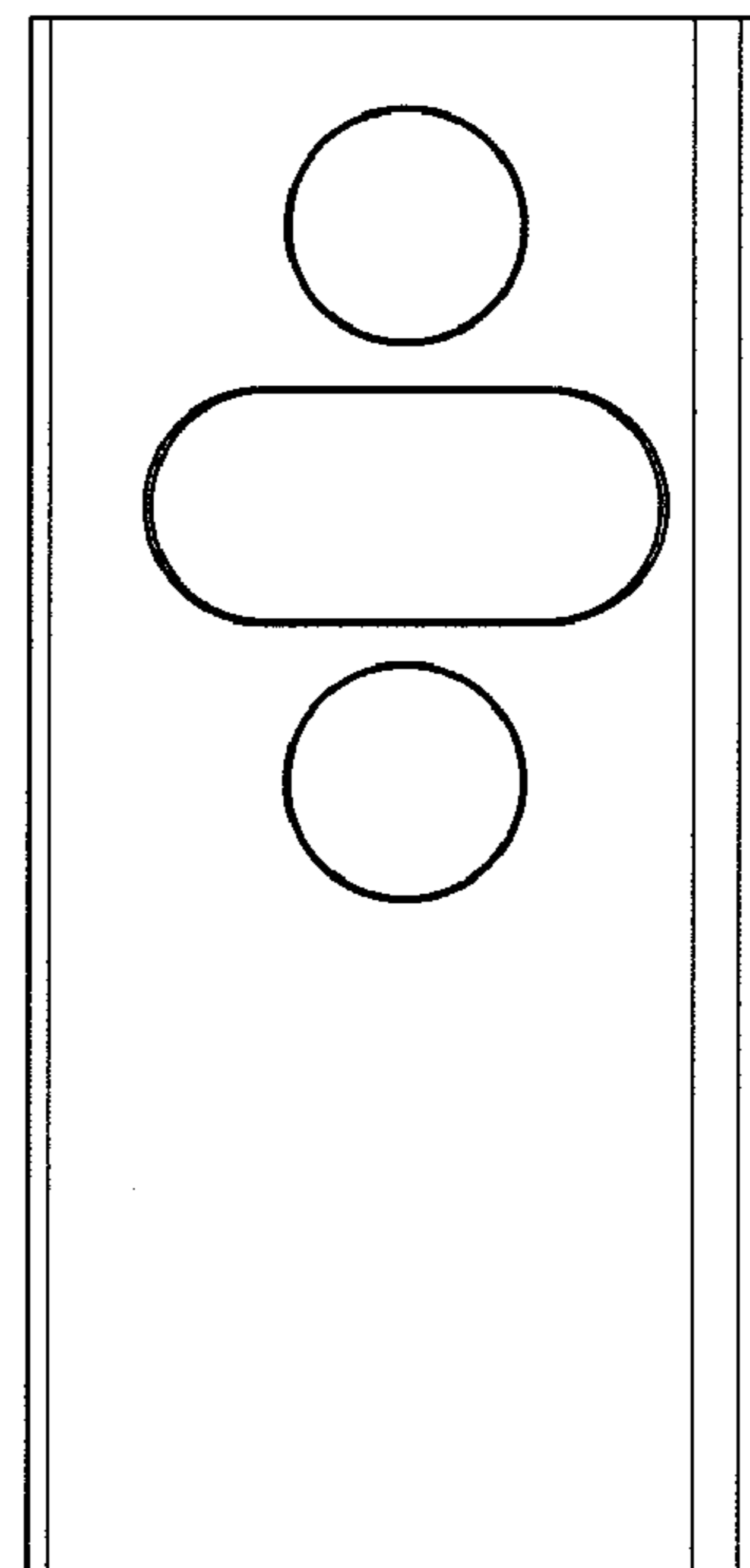
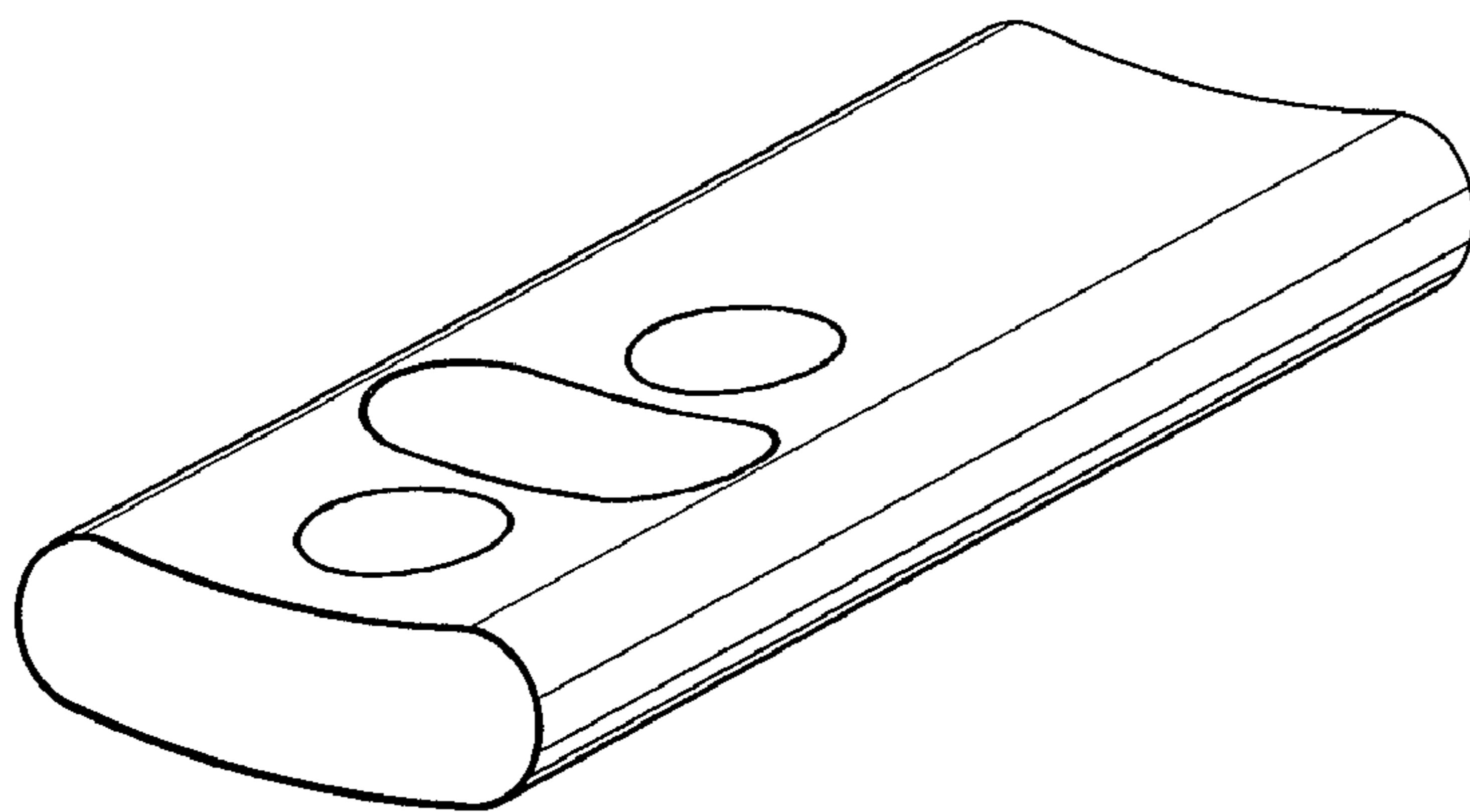
FIG. 4 is a front view thereof;

FIG. 5 is a rear view thereof;

FIG. 6 is a side view thereof; and,

FIG. 7 is a view of the opposite side of FIG. 6.

1 Claim, 2 Drawing Sheets



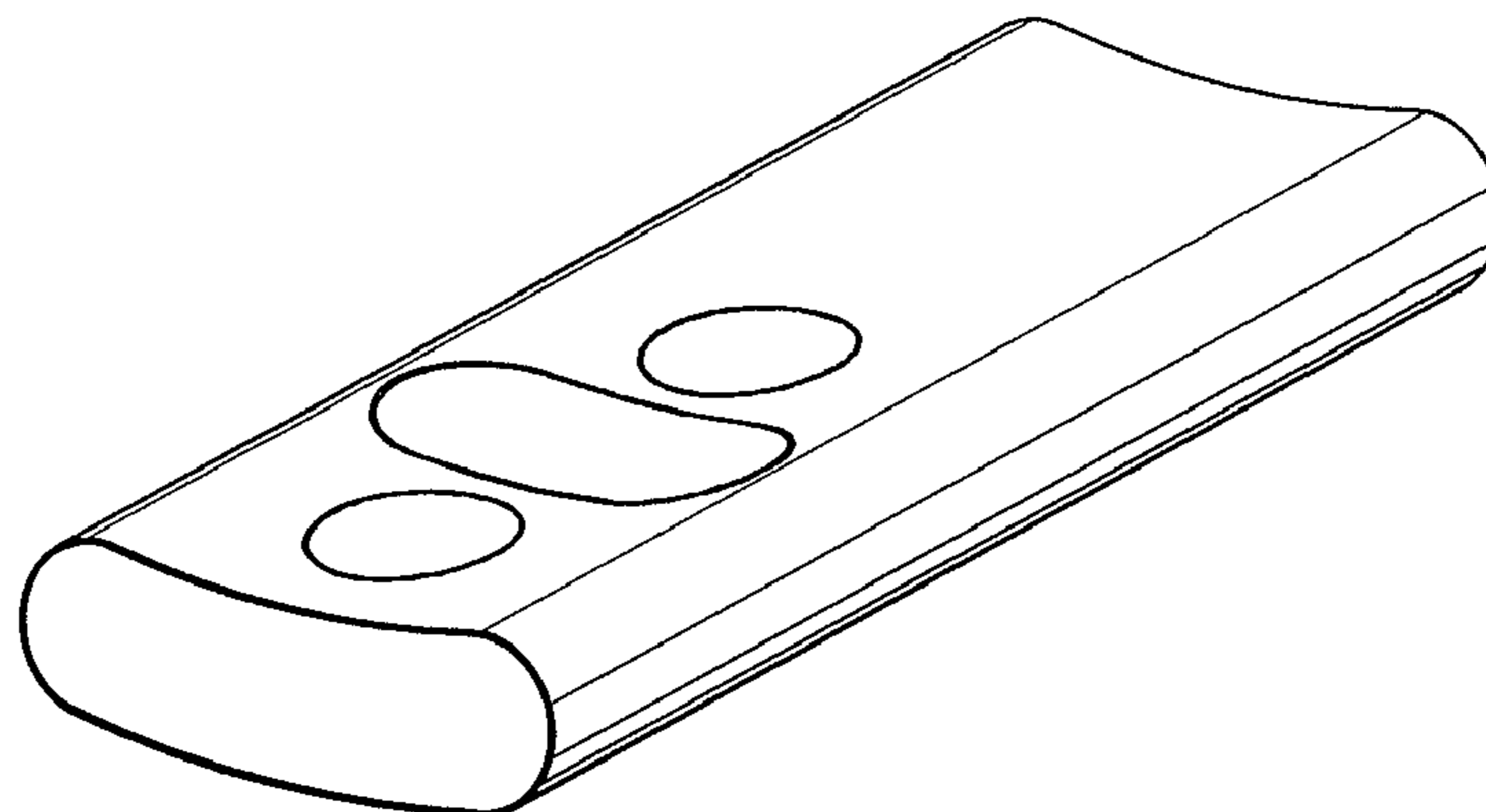


FIG. 1

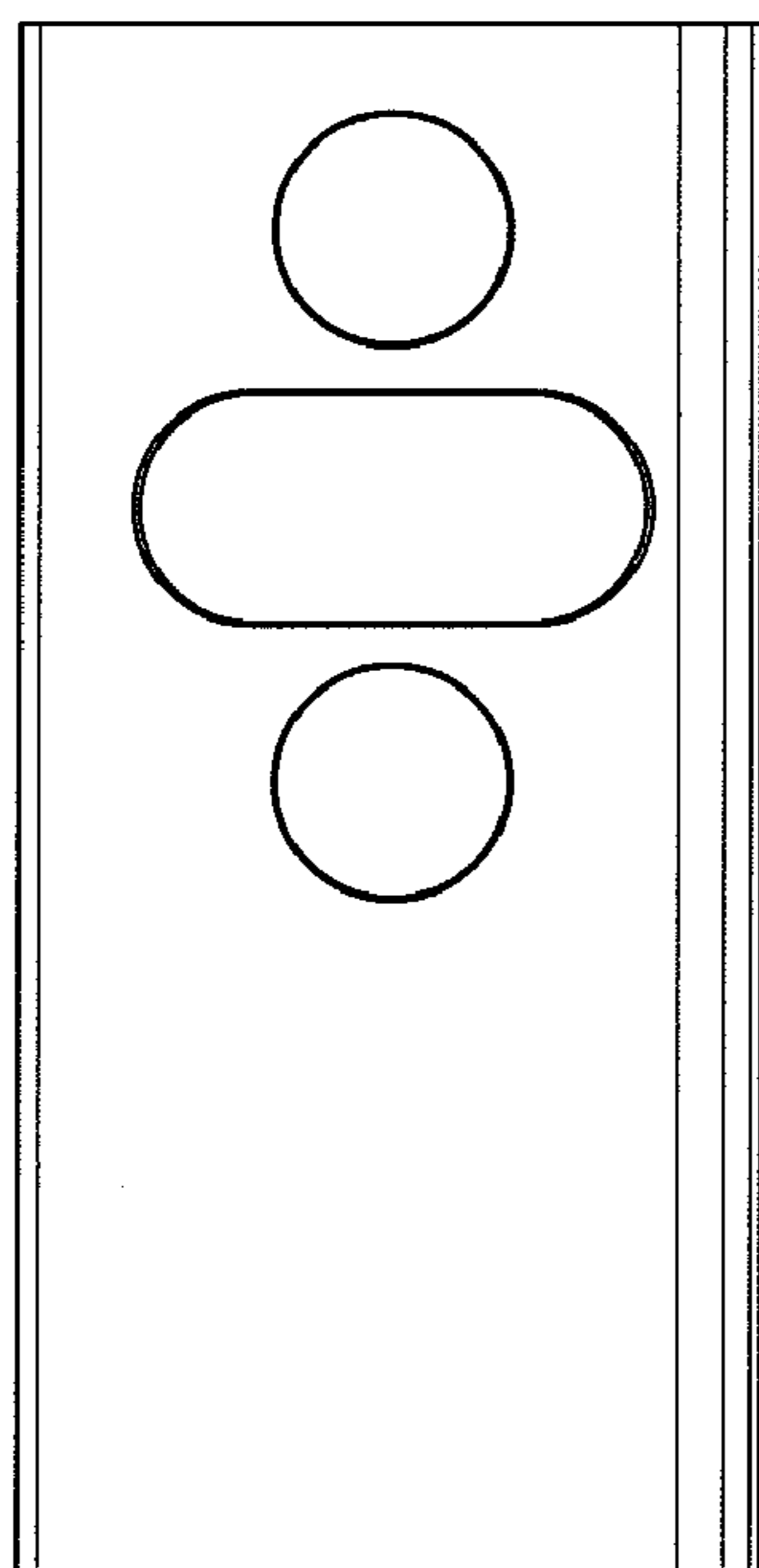


FIG. 2

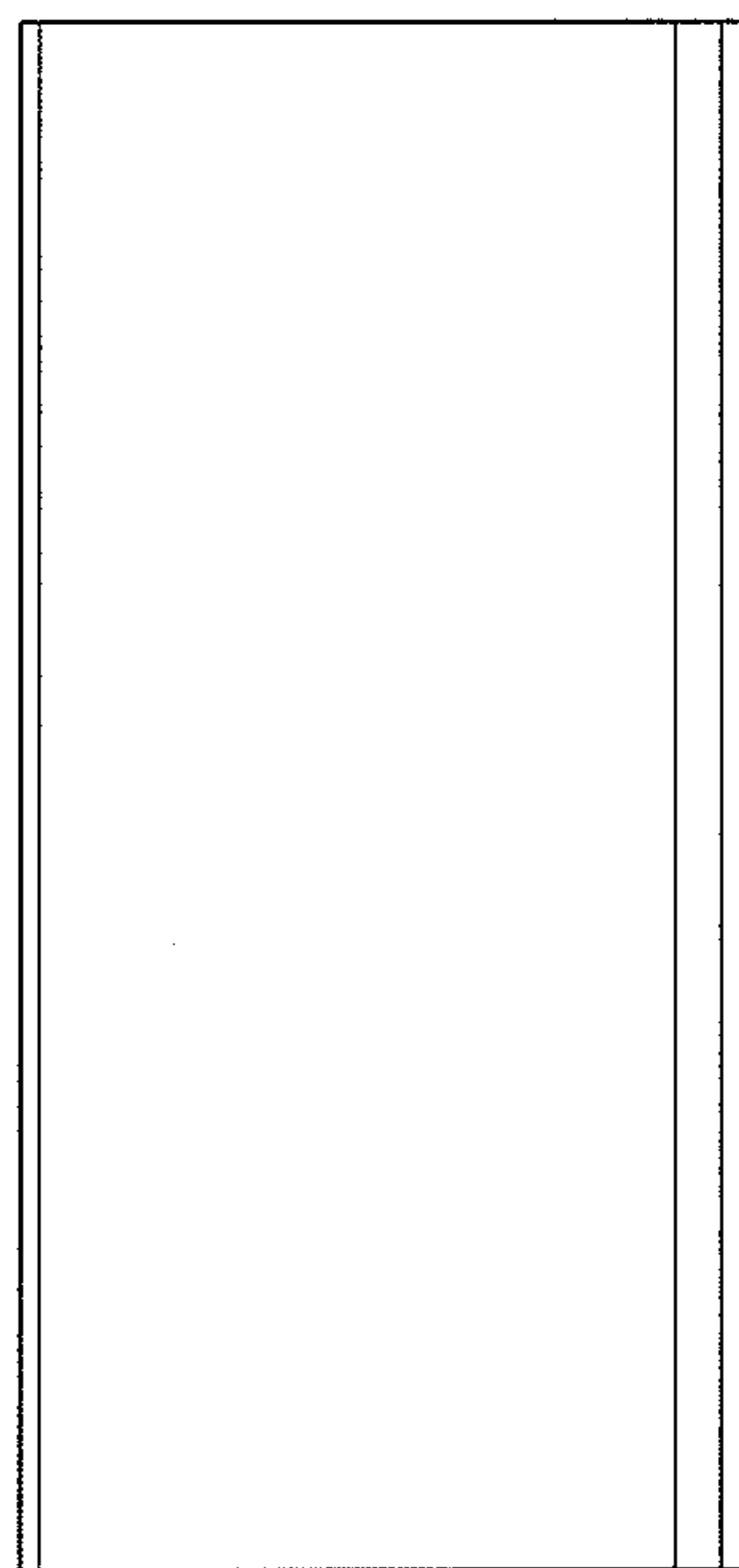


FIG. 3



FIG. 4

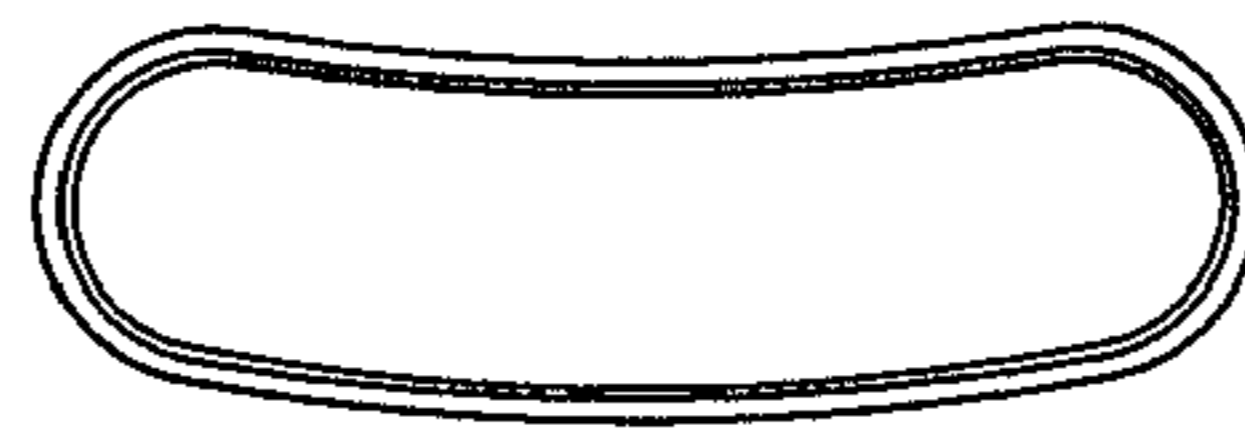


FIG. 5

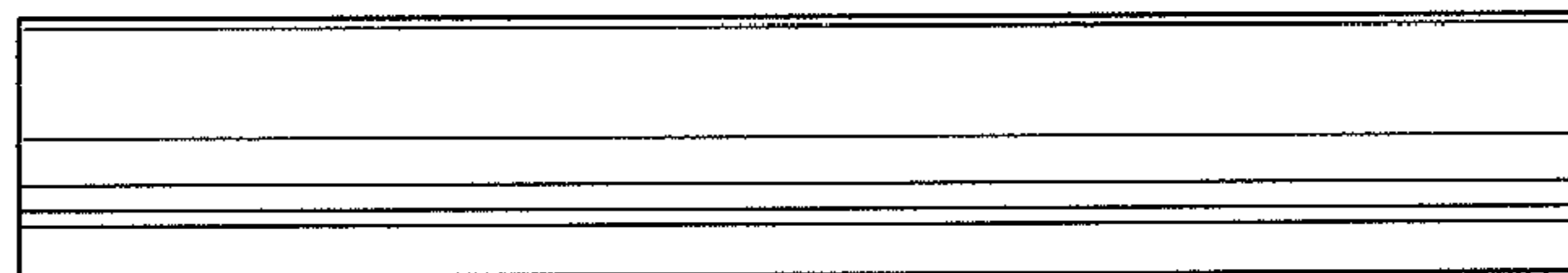


FIG. 6

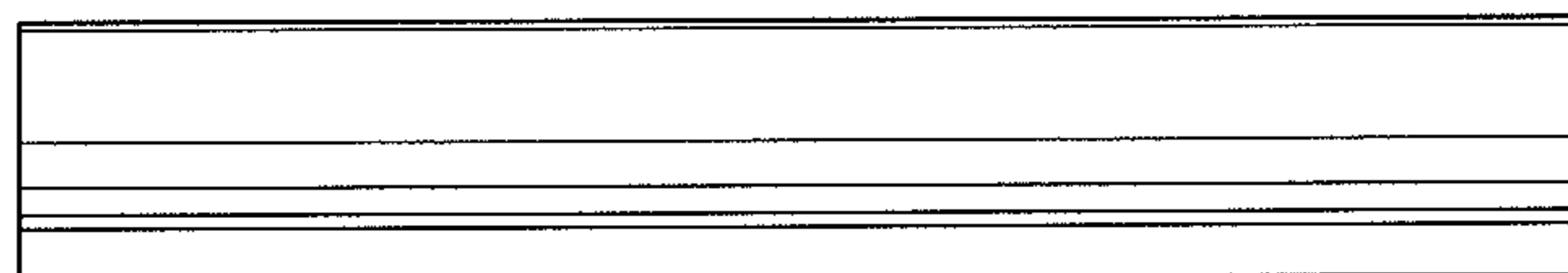


FIG. 7