



US00D631848S

(12) **United States Design Patent**
Montena et al.

(10) **Patent No.:** **US D631,848 S**
(45) **Date of Patent:** **** Feb. 1, 2011**

(54) **WEATHER PROOFING SYSTEM FOR COAXIAL CABLE CONNECTORS**

(75) Inventors: **Noah Montena**, Syracuse, NY (US);
Chris Natoli, Fulton, NY (US)

(73) Assignee: **John Mezzalingua Associates, Inc.**,
East Syracuse, NY (US)

(**) Term: **14 Years**

(21) Appl. No.: **29/376,600**

(22) Filed: **Oct. 8, 2010**

Related U.S. Application Data

(63) Continuation of application No. 12/760,134, filed on
Apr. 14, 2010.

(51) **LOC (9) Cl.** **13-03**

(52) **U.S. Cl.** **D13/154; D13/133; D13/156**

(58) **Field of Classification Search** D13/133,
D13/149, 151, 152, 154, 156, 177, 184, 199;
439/63, 188, 246, 252, 306, 367-369, 371,
439/476.1, 578, 580, 583, 584, 585, 805;
174/50; 175/75 C; 385/53, 55, 92, 60, 87,
385/78

See application file for complete search history.

(56) **References Cited**

U.S. PATENT DOCUMENTS

D231,534 S * 4/1974 Carder D13/156
D322,954 S * 1/1992 Avramovich D13/133
D456,363 S * 4/2002 Lee D13/154
D458,351 S * 6/2002 Chen D23/262

D496,000 S * 9/2004 Cornell D13/156
D504,113 S * 4/2005 Montena D13/154
D512,023 S * 11/2005 Bachmann D13/149
D549,178 S * 8/2007 Amidon D13/151
D584,228 S * 1/2009 Strickland, Jr. D13/133
D586,757 S * 2/2009 Minnick D13/156
D597,947 S * 8/2009 Ono D13/133
D601,090 S * 9/2009 Vigorito et al. D13/133
D605,595 S * 12/2009 Thomas D13/133

* cited by examiner

Primary Examiner—Thomas J Johannes

(74) *Attorney, Agent, or Firm*—Stephen R. Yoder

(57) **CLAIM**

The ornamental design for a weather proofing system for coaxial cable connectors, as shown and described.

DESCRIPTION

FIG. 1 is a front perspective view of a weather proofing system for coaxial cable connectors showing our new design;

FIG. 2 is a back perspective view thereof;

FIG. 3 is a top plan view thereof, the claimed portion of which is a mirror image of the bottom plan view;

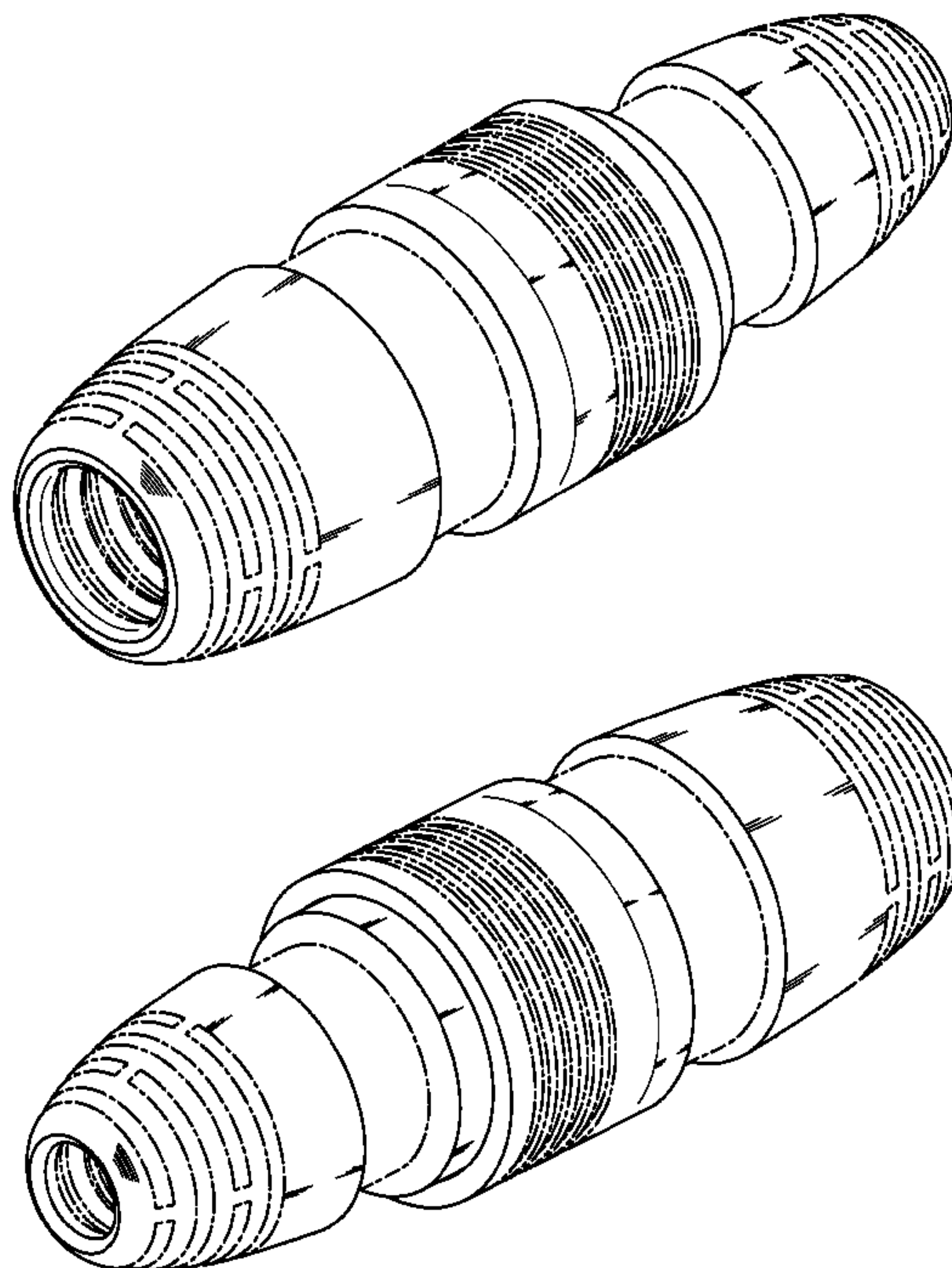
FIG. 4 is a right side elevation view thereof, the claimed portion of which is a mirror image of the left side elevation view;

FIG. 5 is a front elevation view thereof; and,

FIG. 6 is a back elevation view thereof.

The broken lines in the figures show unclaimed subject matter only and form no part of the claimed design.

1 Claim, 4 Drawing Sheets



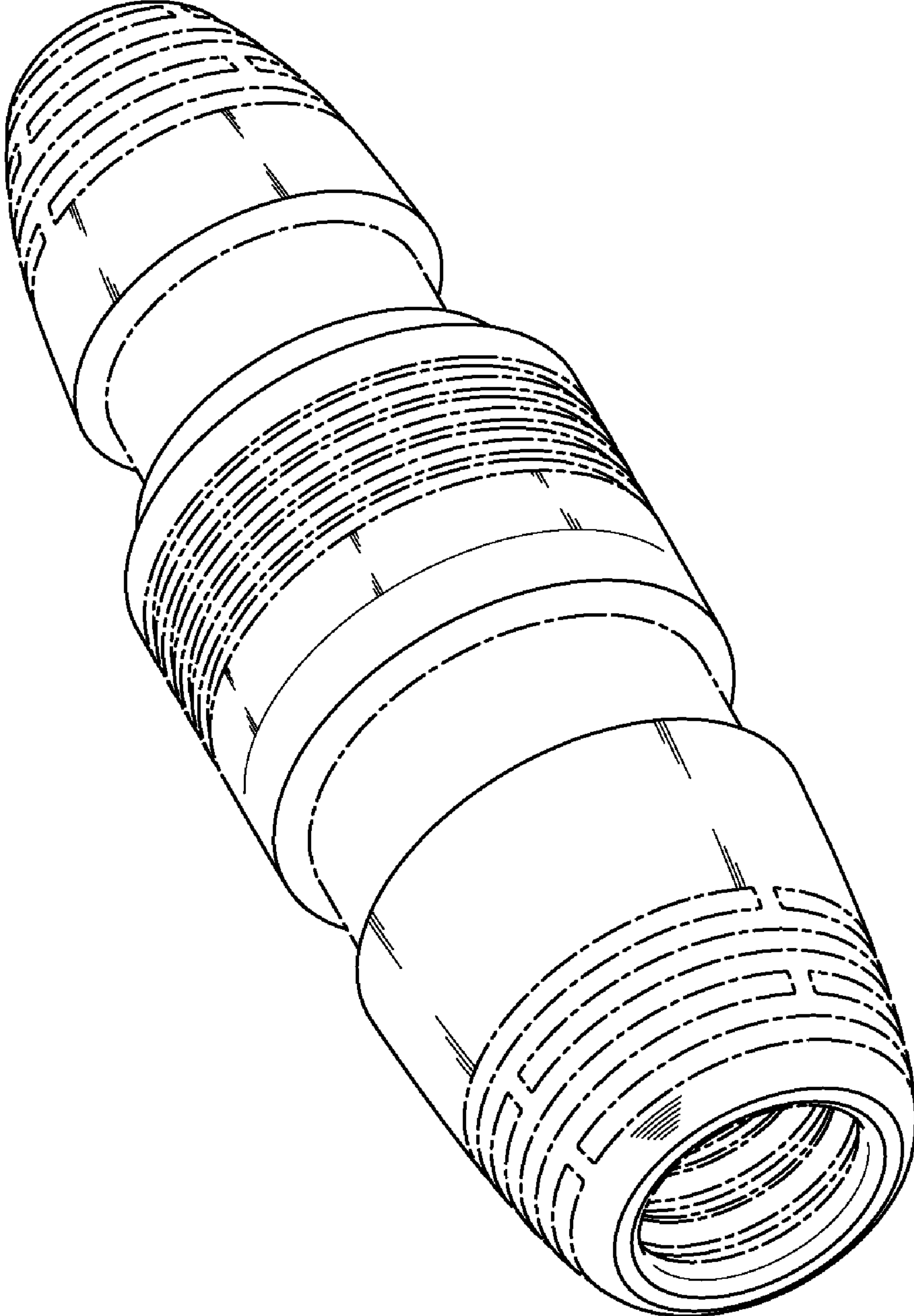


FIG. 1

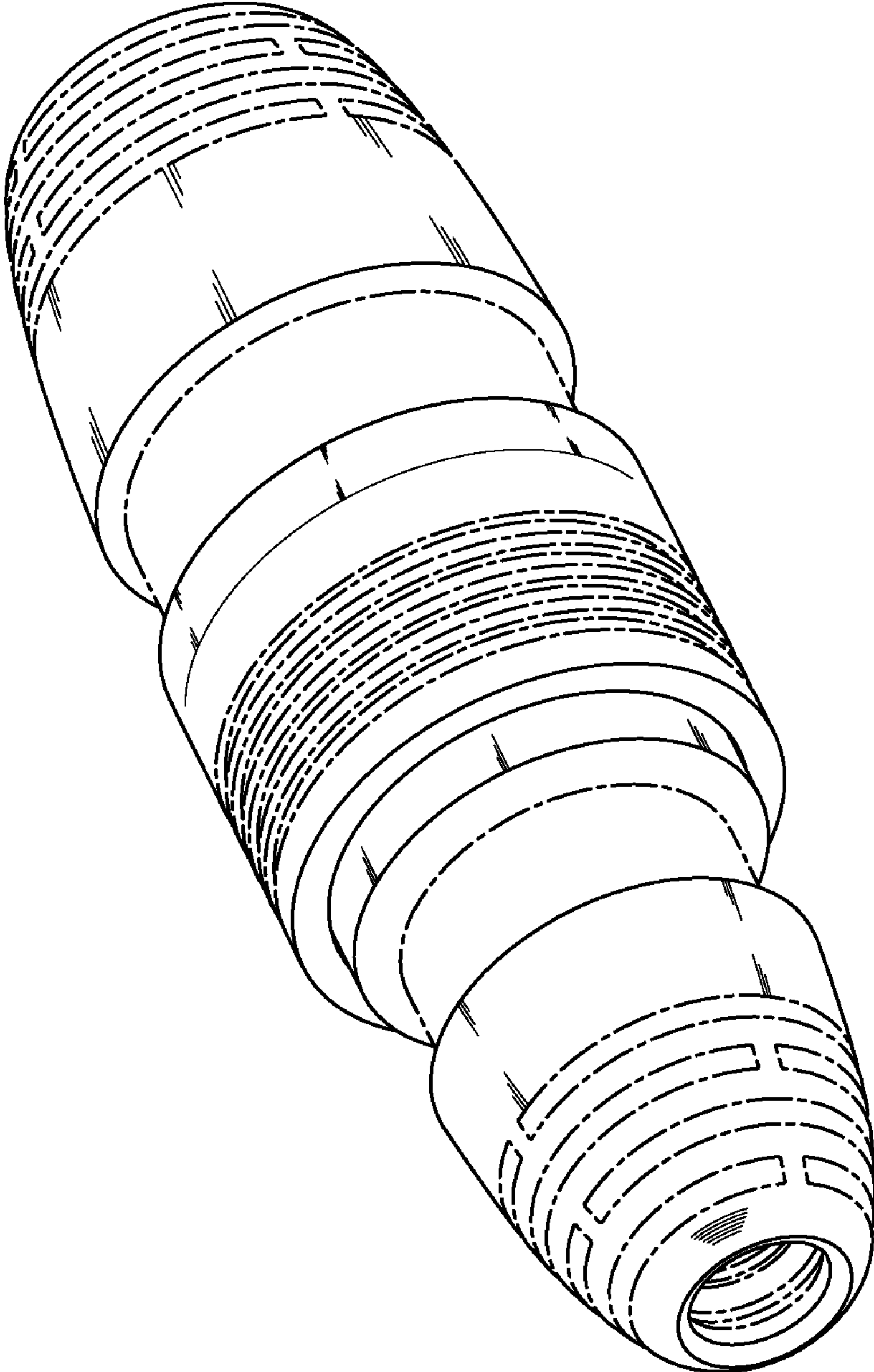


FIG. 2

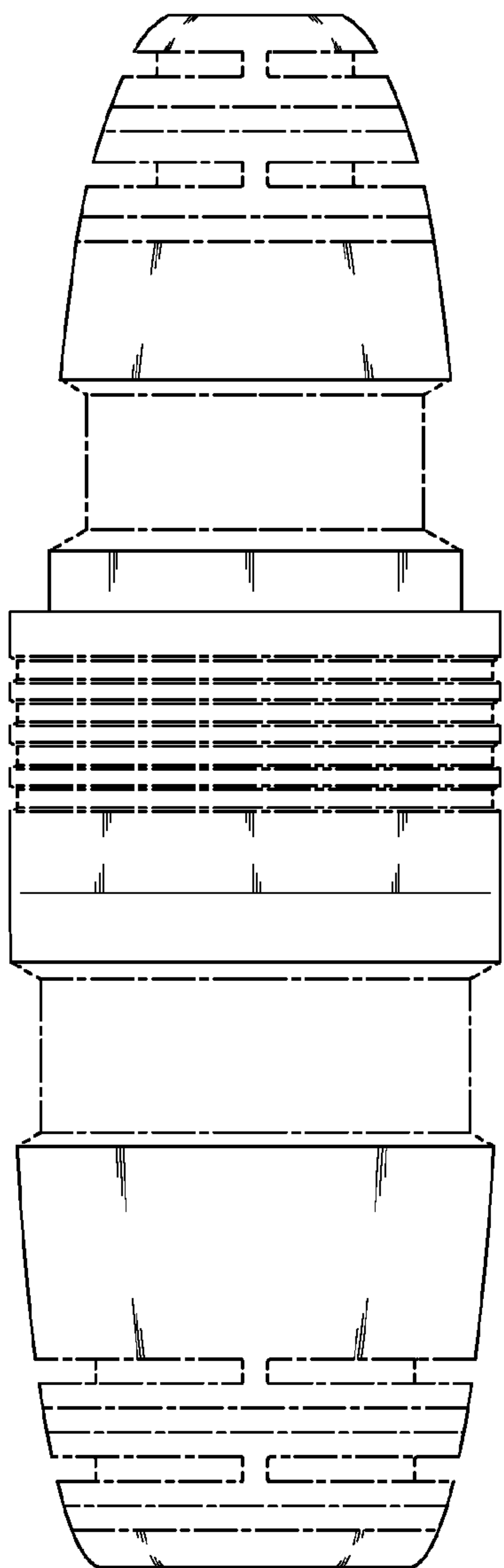


FIG. 3

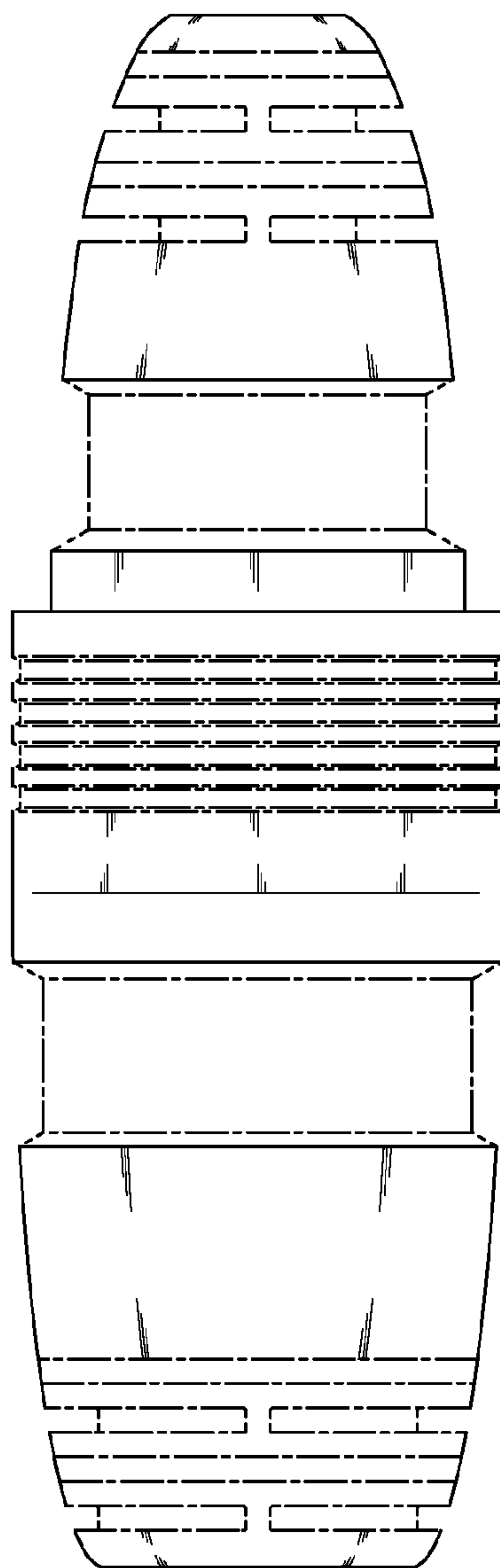


FIG. 4

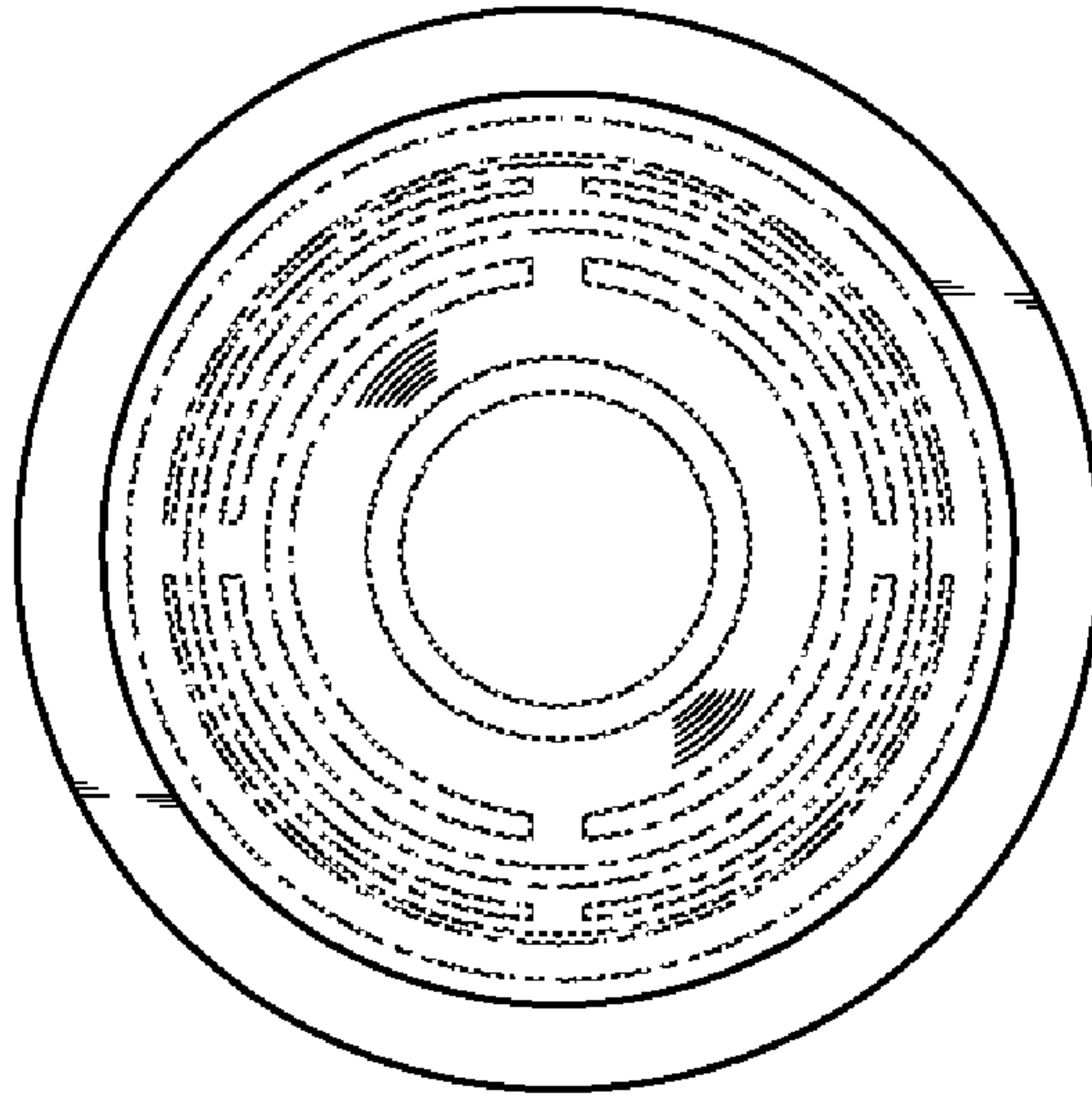


FIG. 6

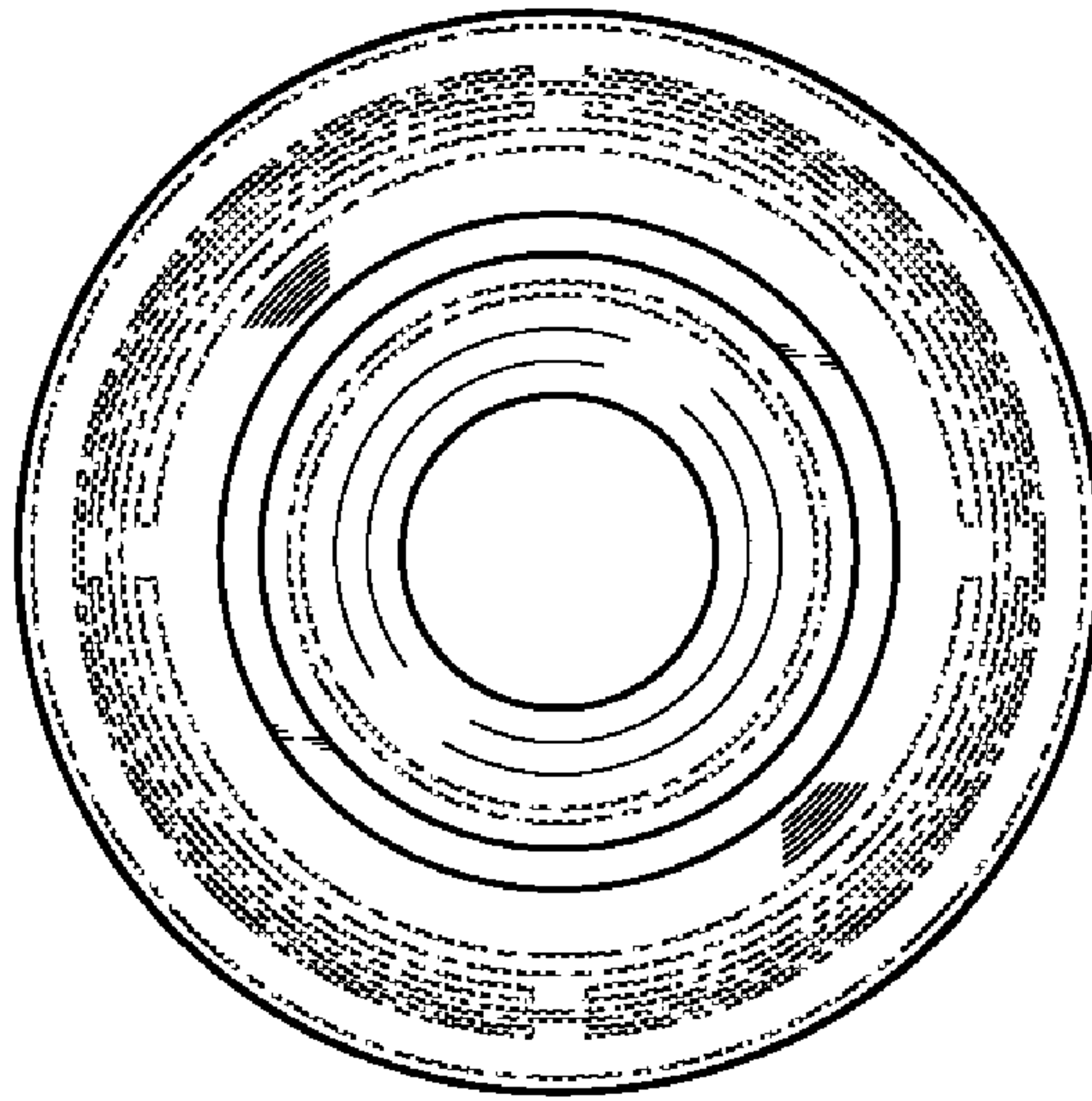


FIG. 5