



US00D631847S

(12) **United States Design Patent**
Ma et al.

(10) **Patent No.:** **US D631,847 S**
(45) **Date of Patent:** **** Feb. 1, 2011**

(54) **LEVER FOR ELECTRICAL SOCKET CONNECTOR ASSEMBLY**

(75) Inventors: **Hao-Yun Ma**, Tu-Cheng (TW); **Darrell Wertz**, Chandler, AZ (US)

(73) Assignee: **Hon Hai Precision Ind. Co., Ltd.**, Taipei Hsien (TW)

(**) Term: **14 Years**

(21) Appl. No.: **29/349,671**

(22) Filed: **Apr. 20, 2010**

Related U.S. Application Data

(63) Continuation of application No. 11/728,392, filed on Mar. 26, 2007, now Pat. No. 7,699,636.

(51) **LOC (9) Cl.** **13-03**

(52) **U.S. Cl.** **D13/154**

(58) **Field of Classification Search** D13/123, D13/133, 146, 147, 149, 154, 184, 199; 439/65, 439/73, 108, 135, 157, 266, 331, 342, 345, 439/346, 526; 200/332; 257/727; 261/52
See application file for complete search history.

(56) **References Cited**

U.S. PATENT DOCUMENTS

D505,921 S * 6/2005 Ma D13/149
7,396,248 B2 * 7/2008 Zhang 439/331
7,402,065 B1 * 7/2008 Polnyi 439/331
7,476,115 B2 * 1/2009 Zhang et al. 439/331

7,497,717 B2 * 3/2009 Zhang 439/331
7,553,178 B1 * 6/2009 Wertz et al. 439/331
2008/0057751 A1 * 3/2008 Zhang 439/73
2008/0113545 A1 * 5/2008 Zhang et al. 439/345
2008/0220643 A1 * 9/2008 Zhang 439/331
2008/0242122 A1 * 10/2008 Ma et al. 439/66
2009/0047807 A1 * 2/2009 Ma 439/68
2009/0075493 A1 * 3/2009 Ma 439/55
2009/0104794 A1 * 4/2009 Ma 439/66

* cited by examiner

Primary Examiner—Thomas J Johannes

(74) *Attorney, Agent, or Firm*—Andrew C. Cheng; Wei Te Chung; Ming Chieh Chang

(57) **CLAIM**

The ornamental design for a lever for electrical socket connector assembly, as shown and described.

DESCRIPTION

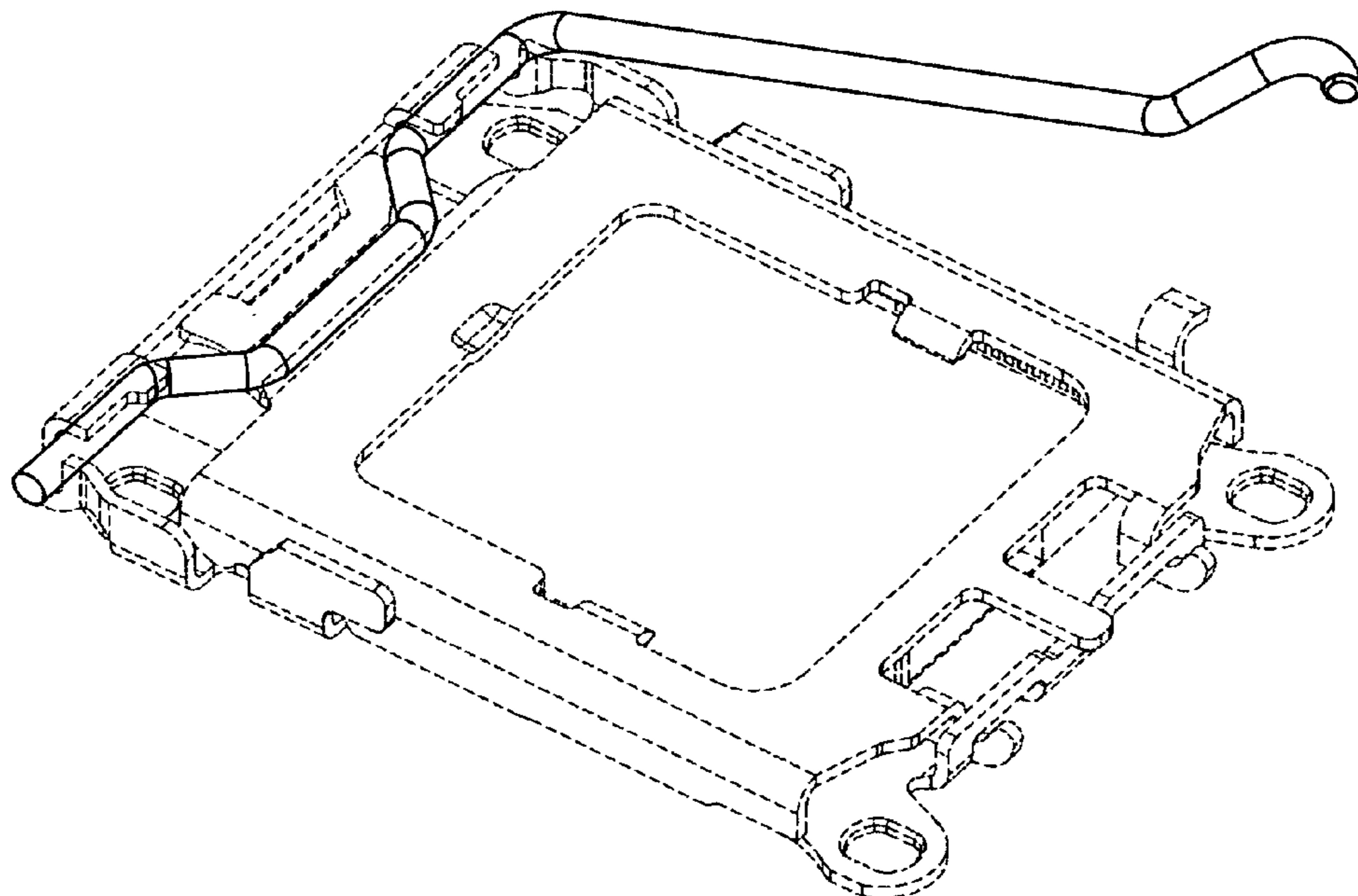
FIG. 1 is a perspective view of a lever for electrical socket connector assembly, showing our new design, in a typical usage environment, wherein the lever is in a released position;

FIG. 2 is a left side elevational view thereof; and,

FIG. 3 is another perspective view thereof, in a typical usage environment, wherein the lever is in a locked and retained position.

The broken line portion of the figure drawings is included to show unclaimed subject matter and usage environment only and forms no part of the claimed design.

1 Claim, 3 Drawing Sheets



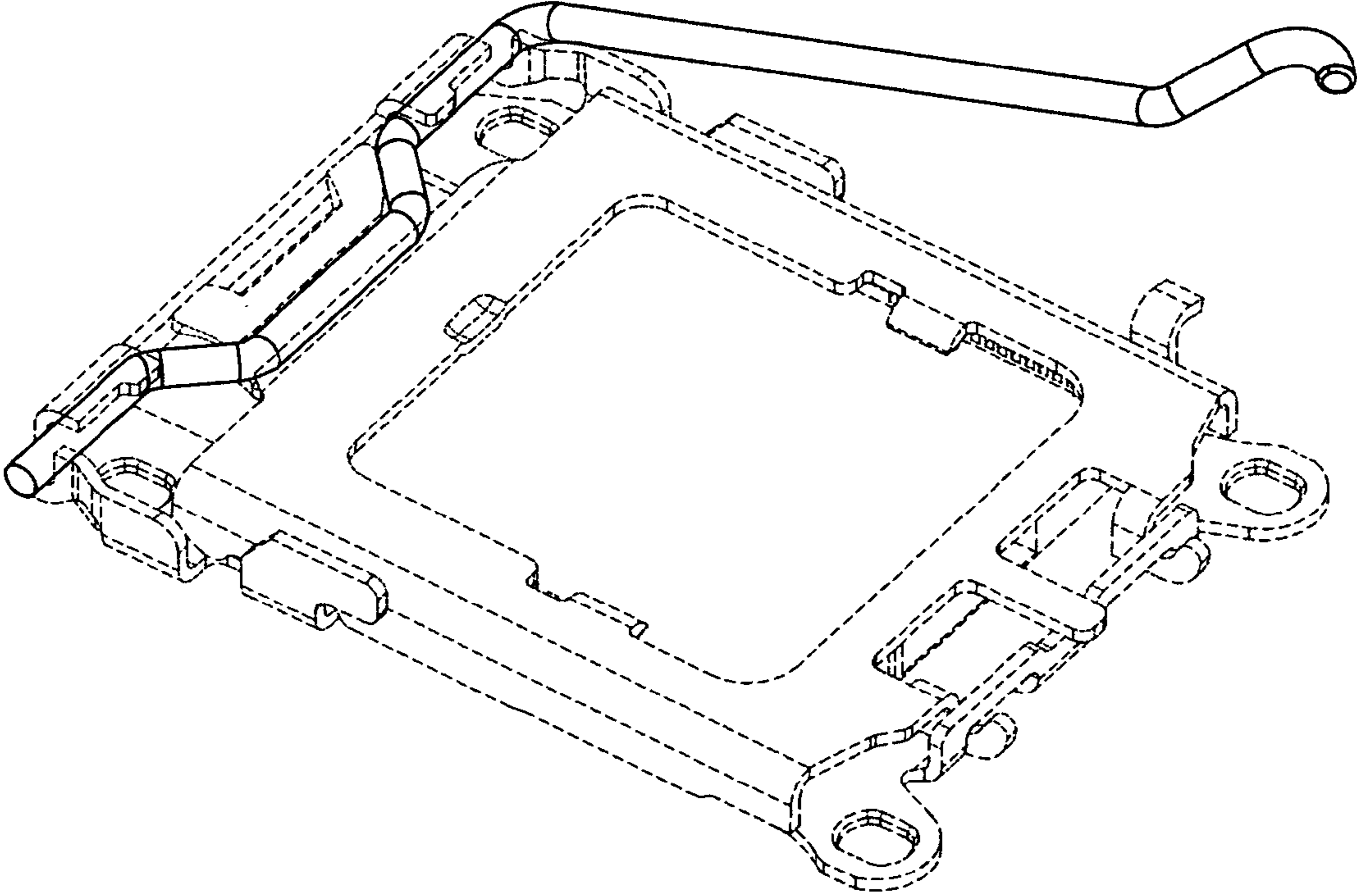


FIG. 1

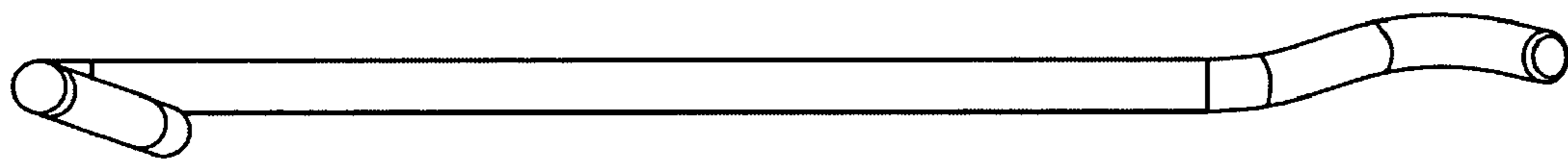


FIG. 2

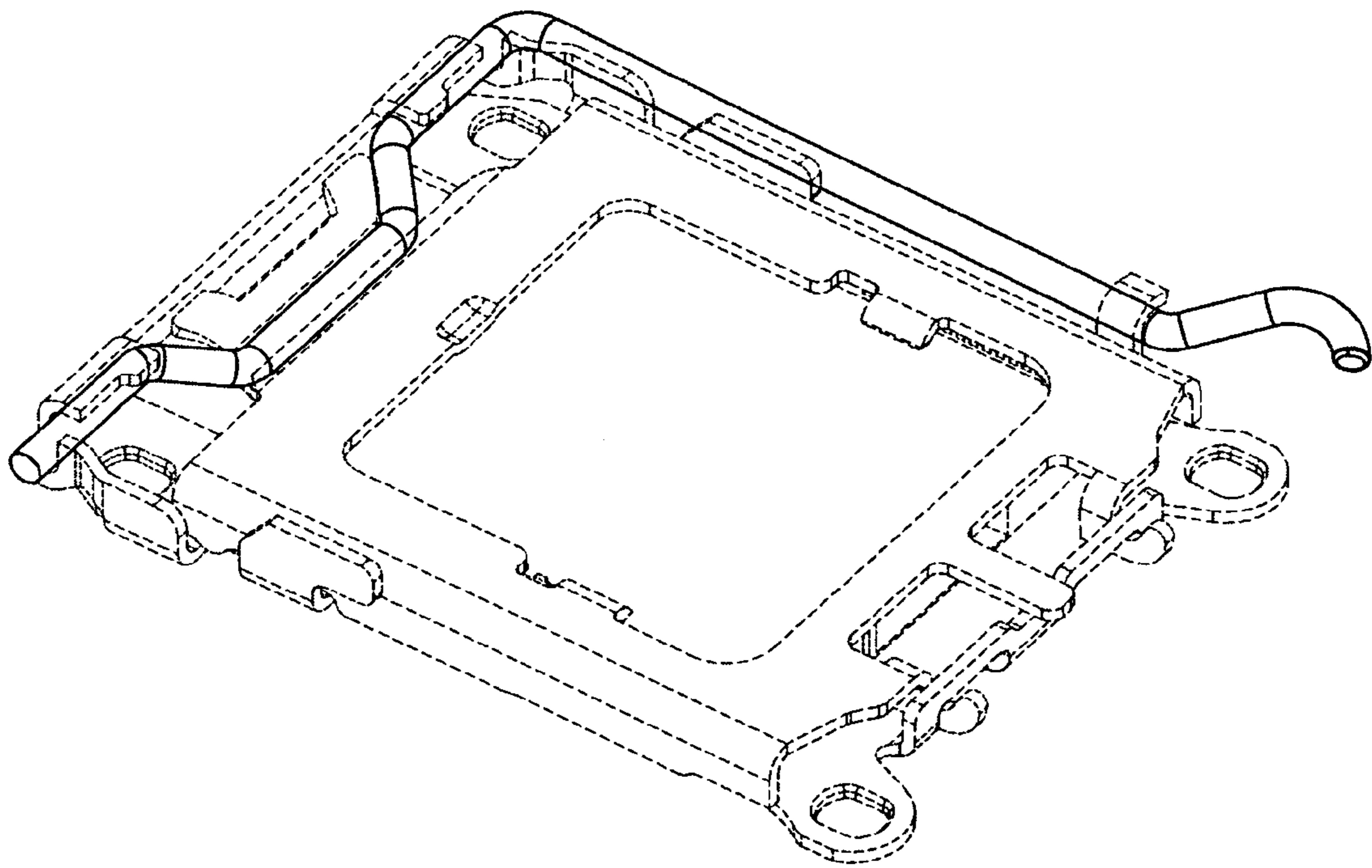


FIG. 3