



US00D631845S

(12) **United States Design Patent**
Zhang et al.

(10) **Patent No.:** **US D631,845 S**

(45) **Date of Patent:** **** *Feb. 1, 2011**

(54) **INTERFACES OF AN ELECTRICAL CONNECTOR ASSEMBLY**

(75) Inventors: **George (Huanyi) Zhang**, Irvin, CA (US); **Bin Pan**, Irvine, CA (US)

(73) Assignee: **Hon Hai Precision Ind. Co., Ltd.**, Taipei Hsien (TW)

(*) Notice: This patent is subject to a terminal disclaimer.

(**) Term: **14 Years**

(21) Appl. No.: **29/312,280**

(22) Filed: **Oct. 10, 2008**

(51) **LOC (9) Cl.** **13-03**

(52) **U.S. Cl.** **D13/154; D13/147**

(58) **Field of Classification Search** D13/147, D13/154, 184; 439/62, 79, 108, 260, 329, 439/375, 422, 495, 499, 607-610, 637-639
See application file for complete search history.

(56) **References Cited**

U.S. PATENT DOCUMENTS

D455,127 S * 4/2002 Wu D13/147
D526,277 S * 8/2006 Wu D13/147

D578,480 S * 10/2008 Zhu et al. D13/147
D578,964 S * 10/2008 Luo et al. D13/147

* cited by examiner

Primary Examiner—Daniel D Bui

(74) *Attorney, Agent, or Firm*—Wei Te Chung; Andrew C. Cheng; Ming Chieh Chang

(57) **CLAIM**

The ornamental design for interfaces of an electrical connector assembly, as shown and described.

DESCRIPTION

FIG. 1 is a perspective of the female portion of the interfaces of an electrical connector assembly, showing our new design; FIG. 2 is a front elevation view thereof;

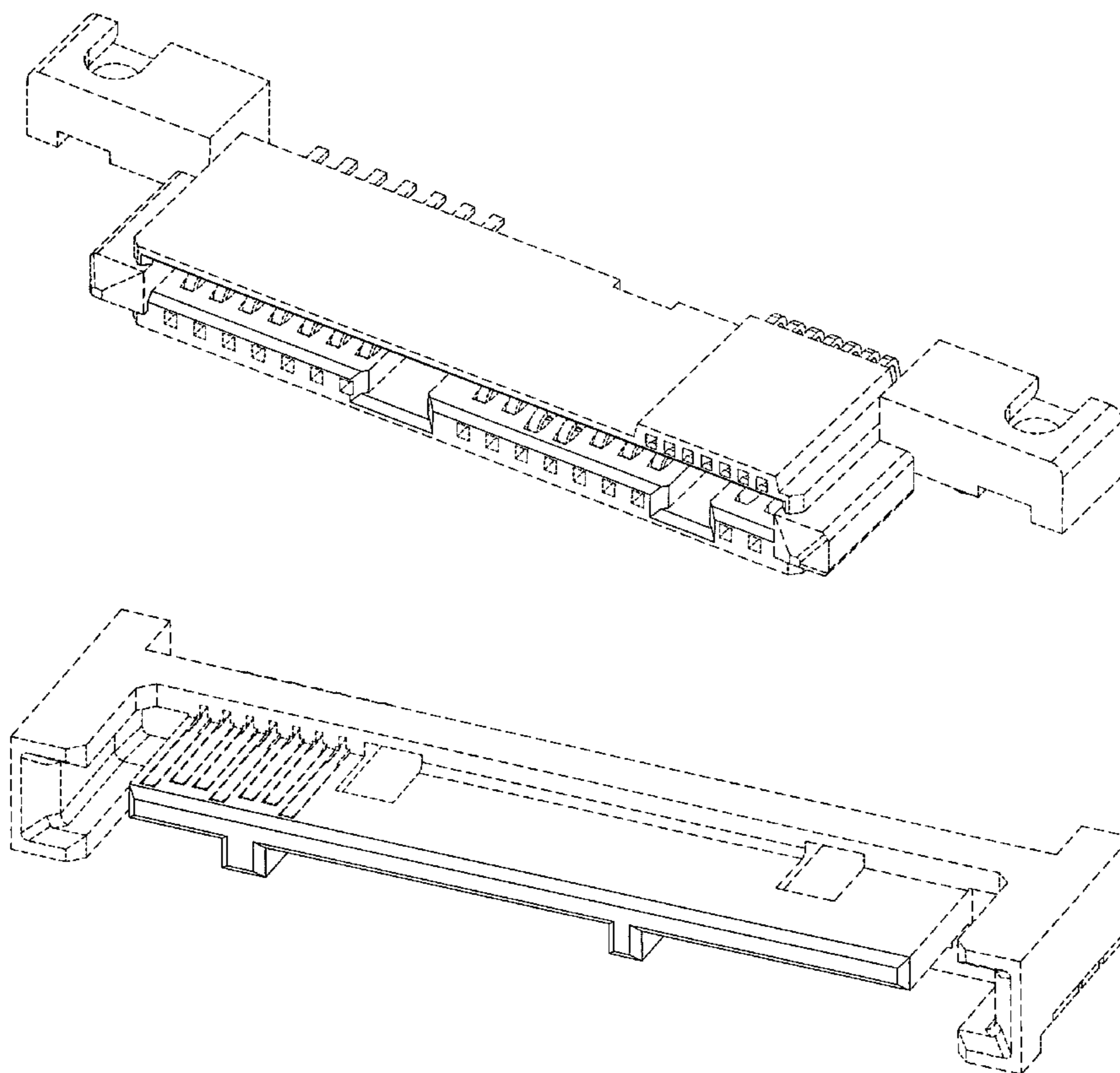
FIG. 3 is perspective view of the male portion of the interfaces of an electrical connector assembly thereof;

FIG. 4 is a front elevation view thereof; and,

FIG. 5 is a perspective view of the female and male portions of the interfaces of an electrical connector assembly in use condition thereof.

The broken line in the drawings showing of the environment is for illustrative purposes only and forms no part of the claimed design.

1 Claim, 5 Drawing Sheets



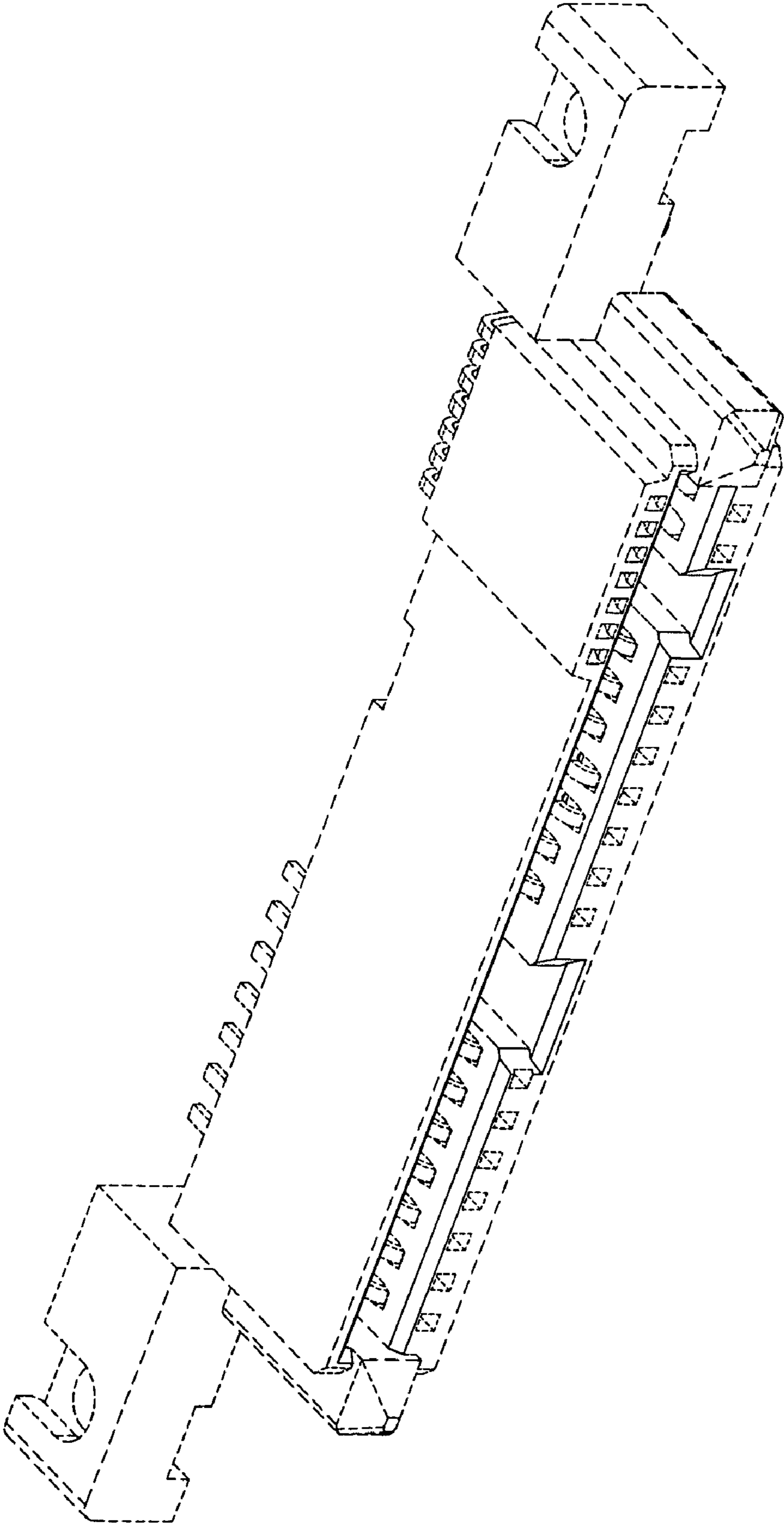


FIG. 1

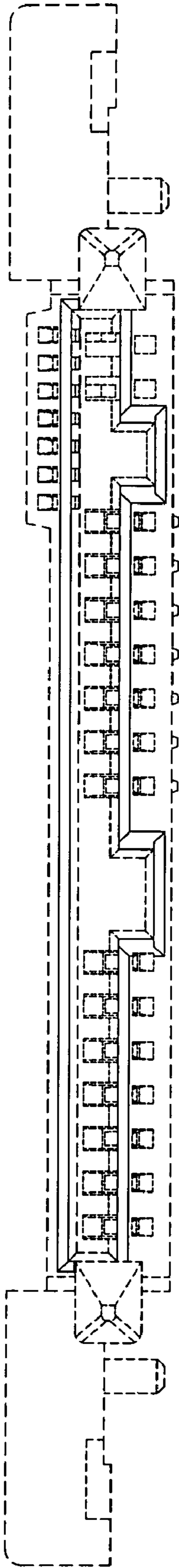


FIG. 2

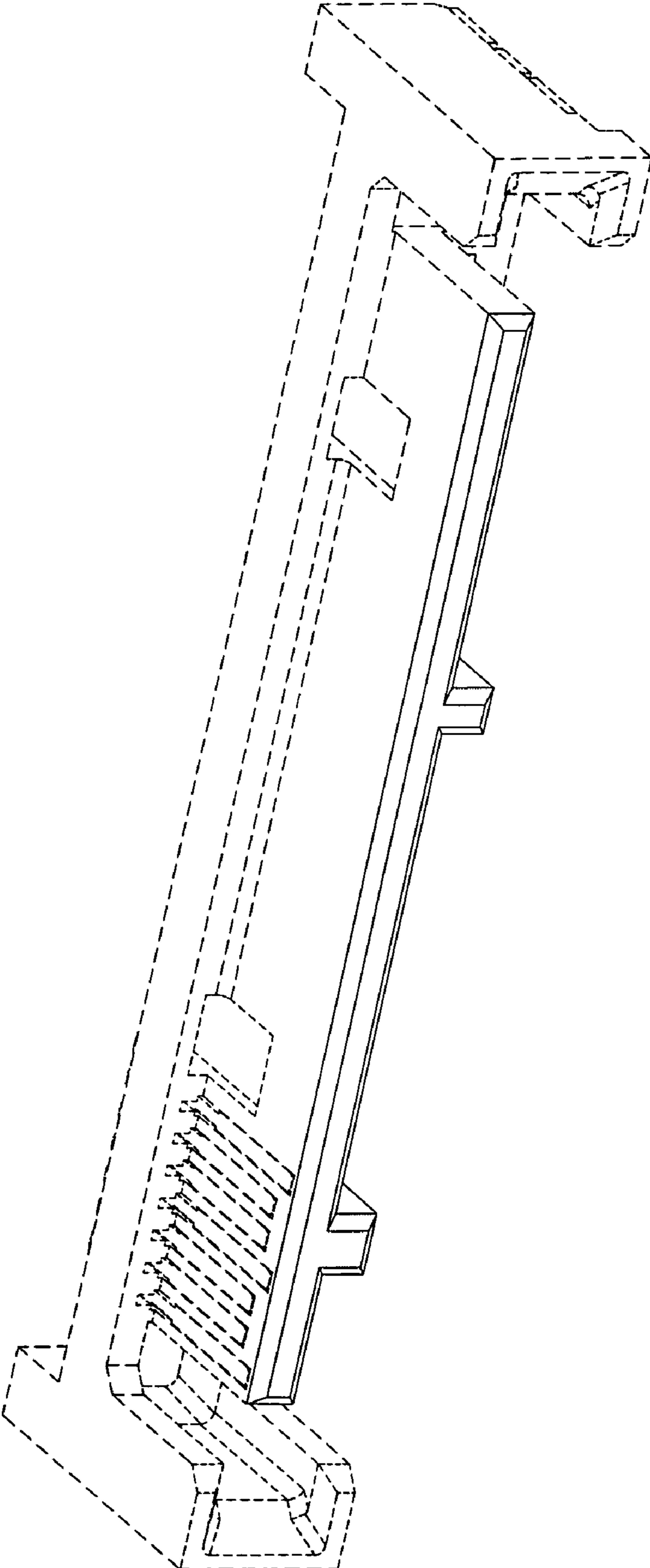


FIG. 3

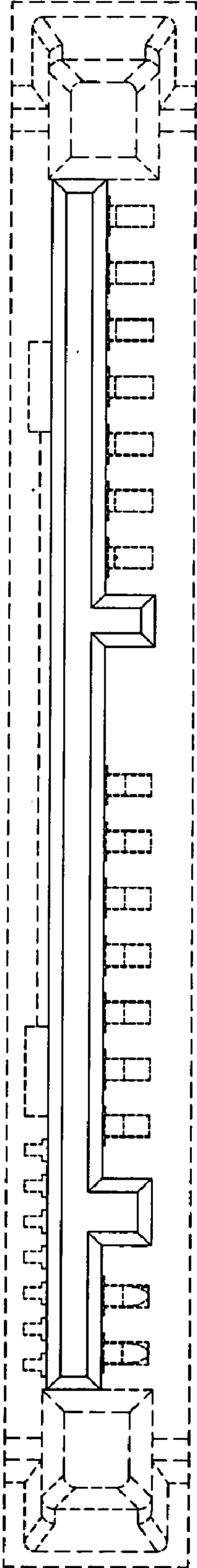


FIG. 4

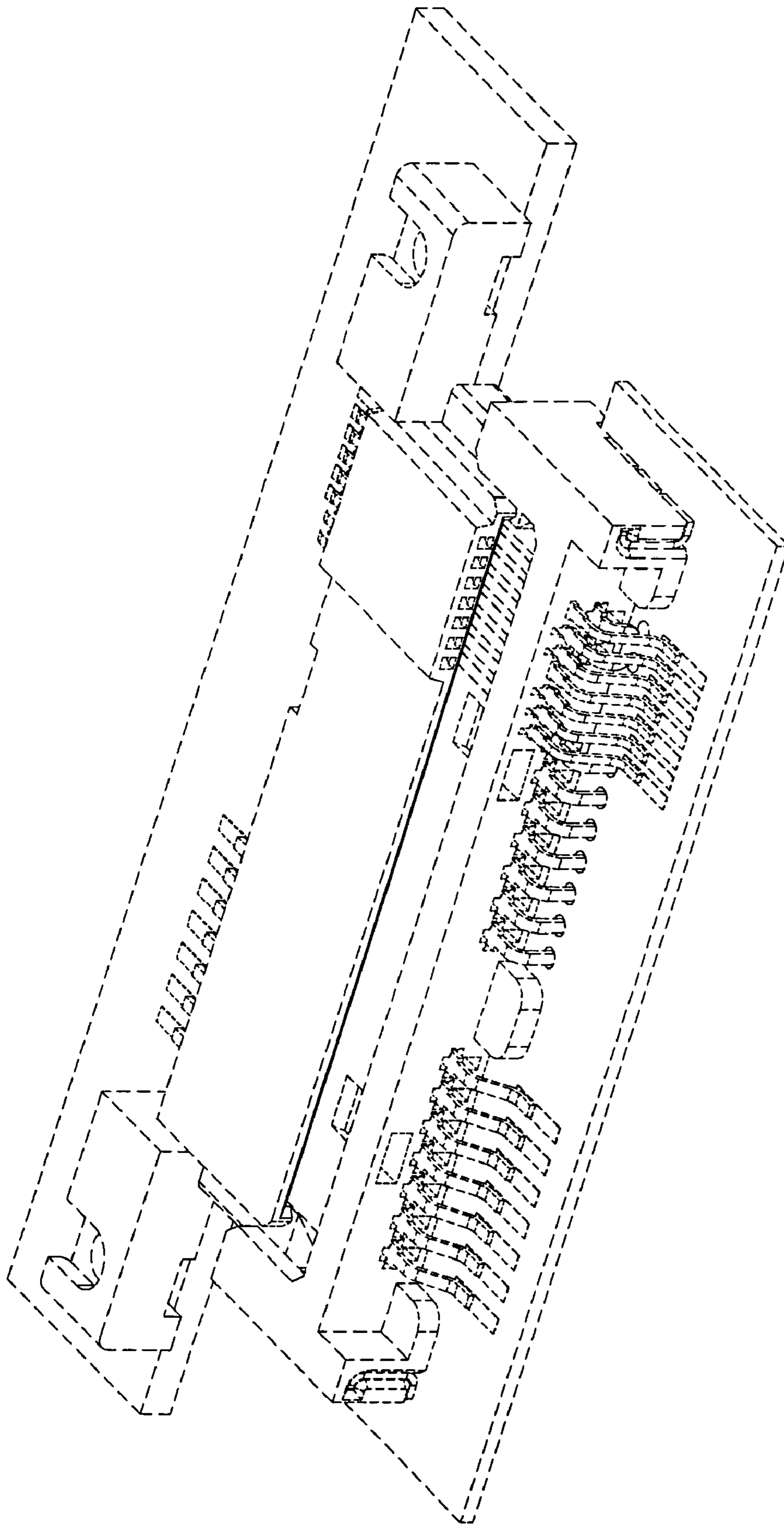


FIG. 5