



US00D631844S

(12) **United States Design Patent**
Su et al.

(10) **Patent No.:** **US D631,844 S**
(45) **Date of Patent:** **** Feb. 1, 2011**

(54) **AUDIO JACK CONNECTOR**

D576,101 S * 9/2008 Wu et al. D13/133
D611,414 S * 3/2010 Huang D13/133

(75) Inventors: **Yu-Hung Su**, Tu-Cheng (TW);
Yao-Ting Wang, Tu-Cheng (TW)

* cited by examiner

(73) Assignee: **Cheng Uei Precision Industry Co., Ltd.**, Tu-Cheng, Taipei Hsien (TW)

Primary Examiner—Daniel D Bui
(74) *Attorney, Agent, or Firm*—Cheng-Ju Chiang

(**) Term: **14 Years**

(57) **CLAIM**

(21) Appl. No.: **29/364,454**

The ornamental design for an audio jack connector, as shown and described.

(22) Filed: **Jun. 23, 2010**

DESCRIPTION

(51) **LOC (9) Cl.** **13-03**

(52) **U.S. Cl.** **D13/147**

(58) **Field of Classification Search** D13/147,
D13/154, 184; 439/188, 607.01, 607.04,
439/607.05, 607.17, 607.25, 607.34, 607.41,
439/607.53, 668, 540.1, 541.5, 939
See application file for complete search history.

FIG. 1 is a perspective view of an audio jack connector showing our new design;
FIG. 2 is a front elevational view thereof;
FIG. 3 is a rear elevational view thereof;
FIG. 4 is a left side elevational view thereof;
FIG. 5 is a right side elevational view thereof;
FIG. 6 is a top plan view thereof;
FIG. 7 is a bottom plan view thereof; and,
FIG. 8 is another perspective view of the audio jack connector showing our new design.

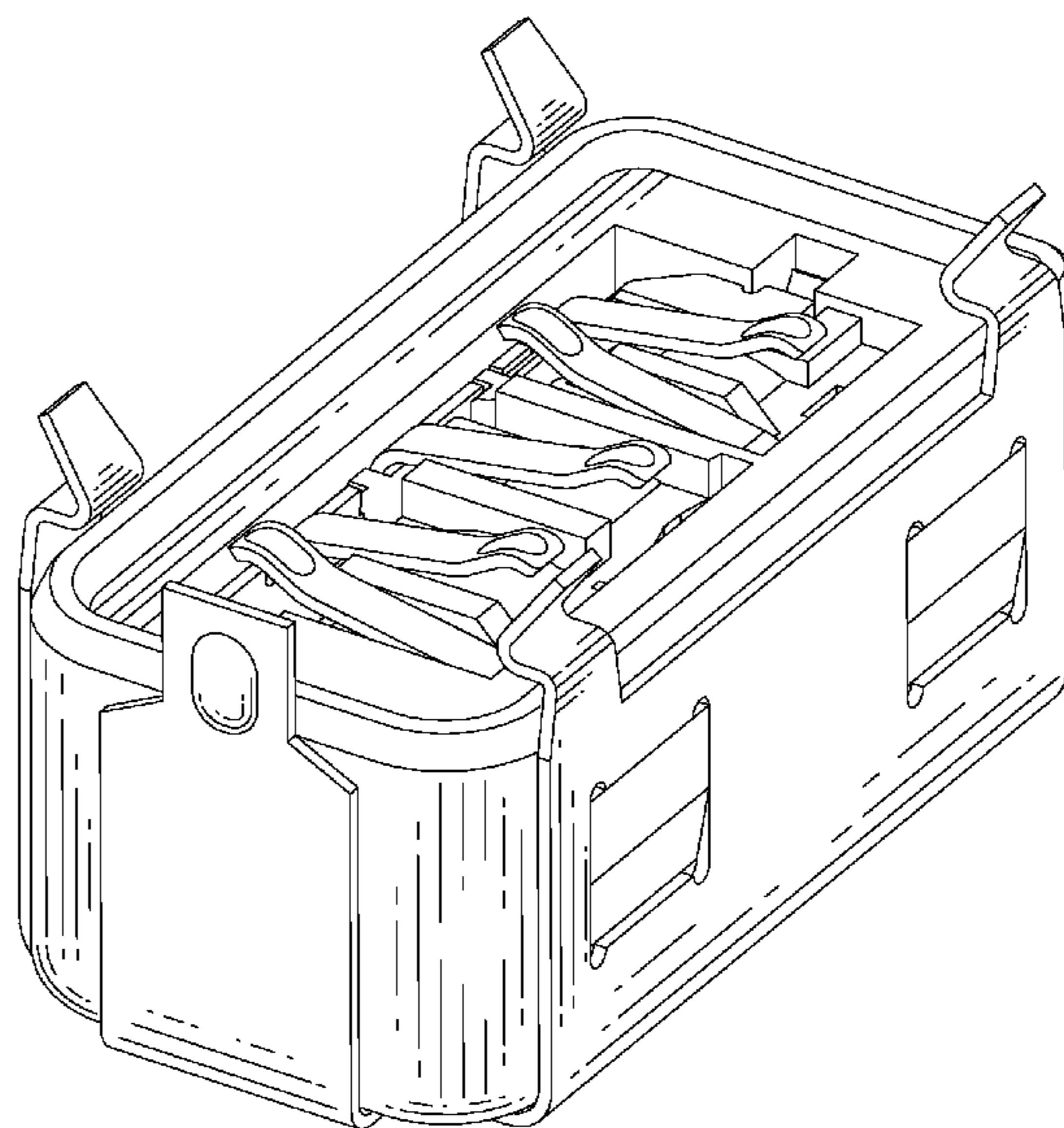
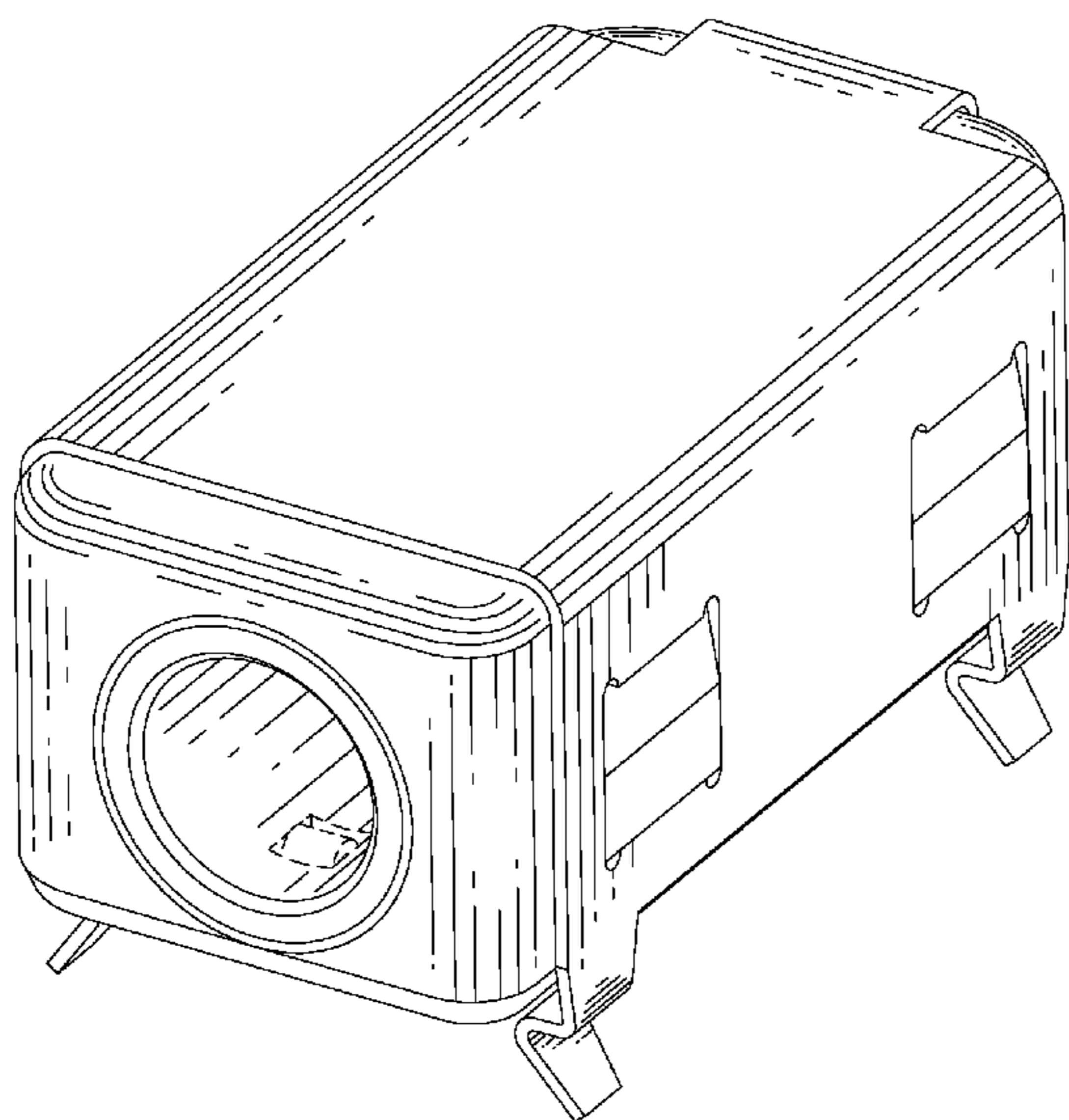
(56) **References Cited**

U.S. PATENT DOCUMENTS

D451,472 S	*	12/2001	Suzuki	D13/133
D533,835 S	*	12/2006	Lee	D13/133
D534,494 S	*	1/2007	Li	D13/133
D534,868 S	*	1/2007	Lee	D13/133
D552,032 S	*	10/2007	Peng	D13/133
D555,098 S	*	11/2007	Wu et al.	D13/133
D558,675 S	*	1/2008	Chien et al.	D13/133
D575,232 S	*	8/2008	Chiang et al.	D13/133

The broken line portion of the figure drawings is included to show unclaimed subject matter only and forms no part of the claimed design.

1 Claim, 8 Drawing Sheets



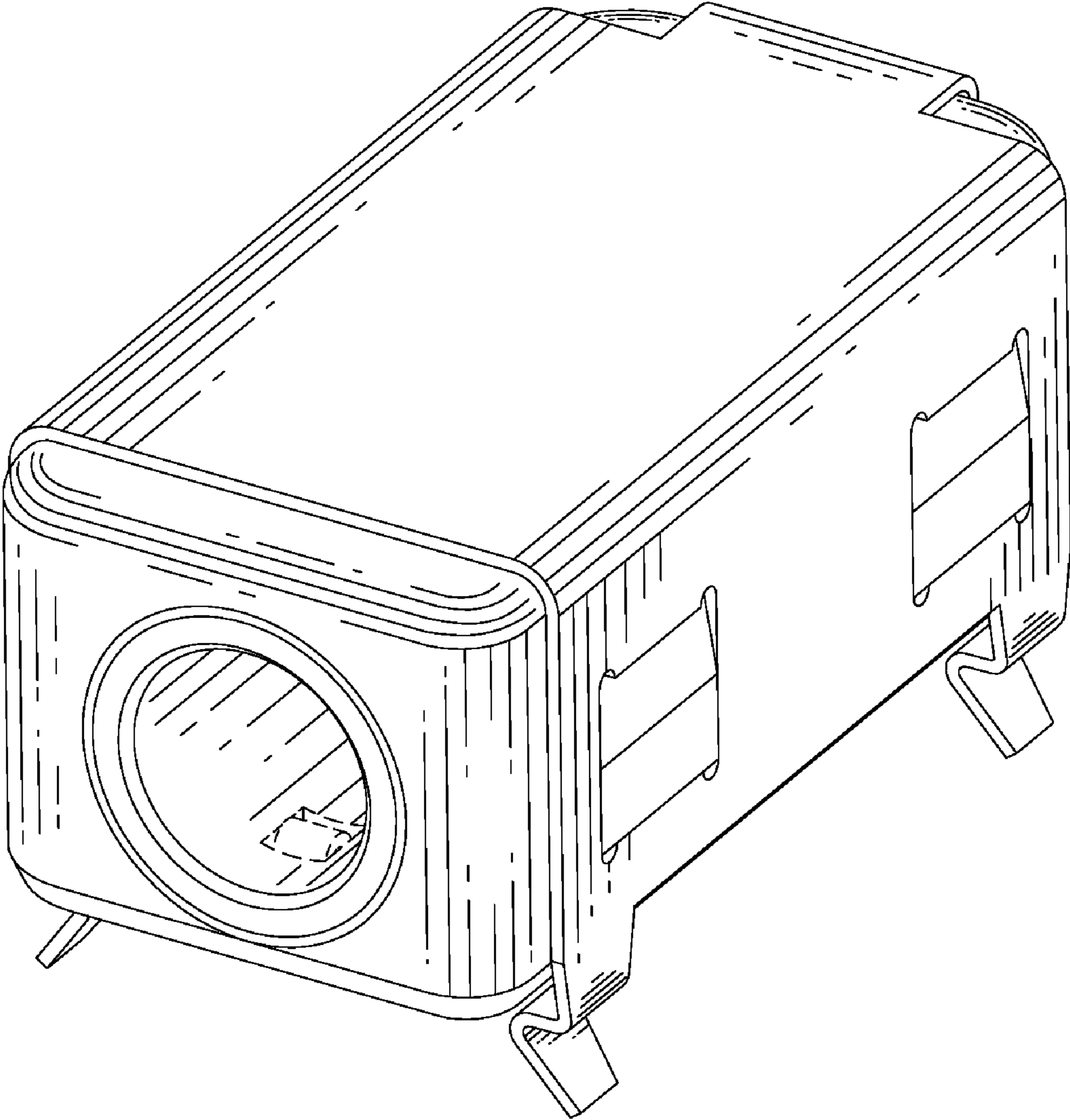


FIG. 1

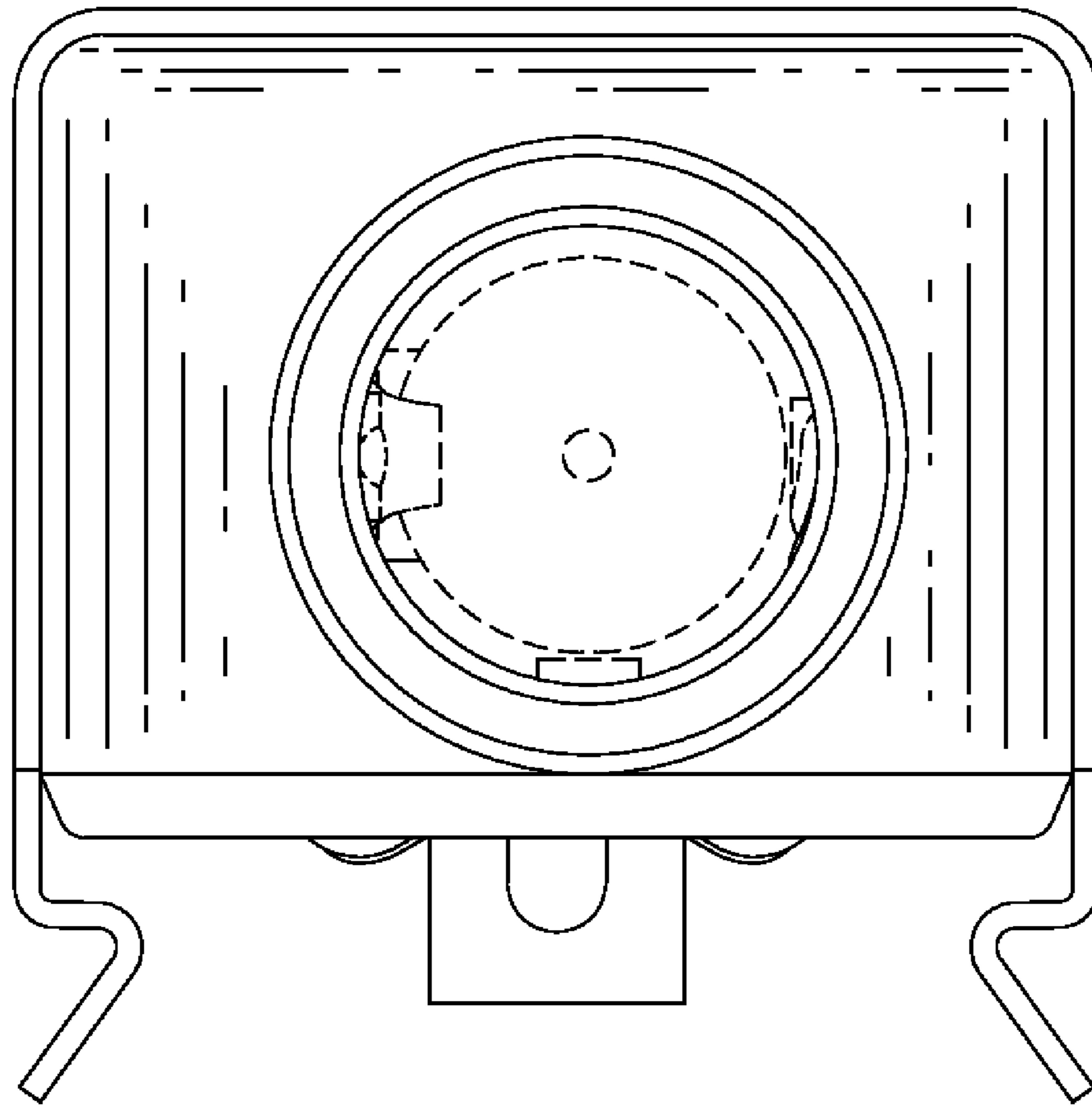


FIG. 2

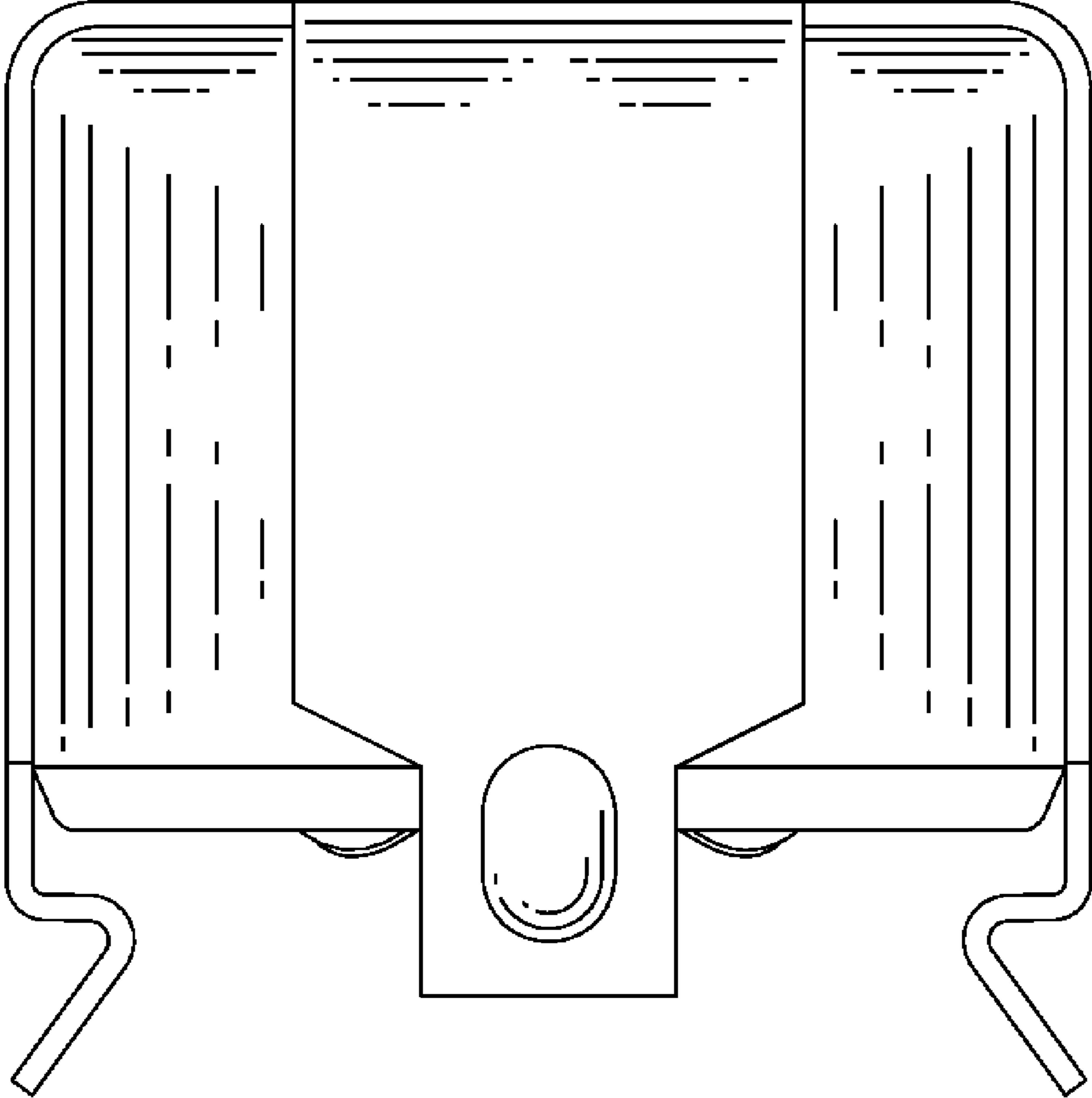


FIG. 3

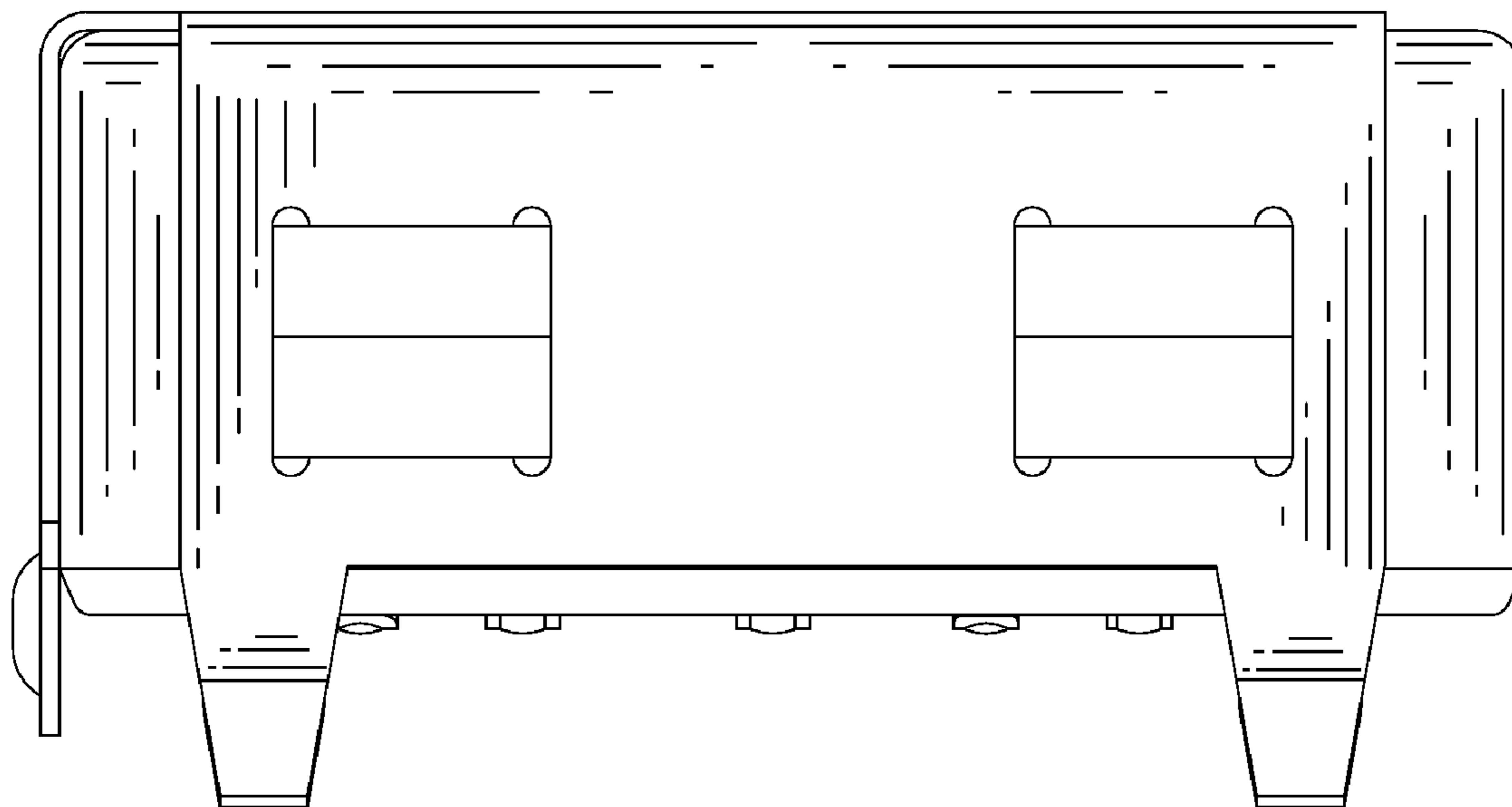


FIG. 4

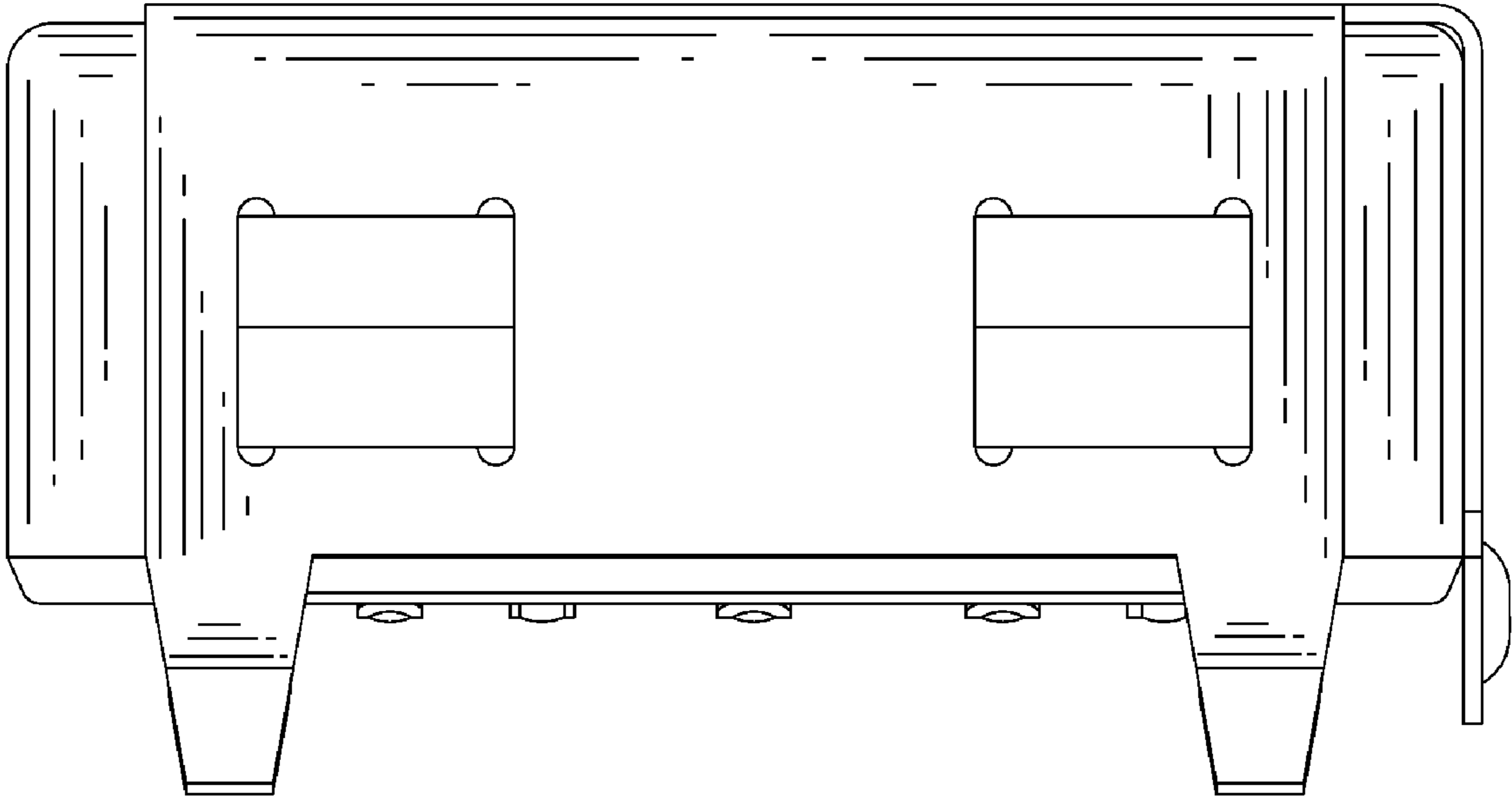


FIG. 5

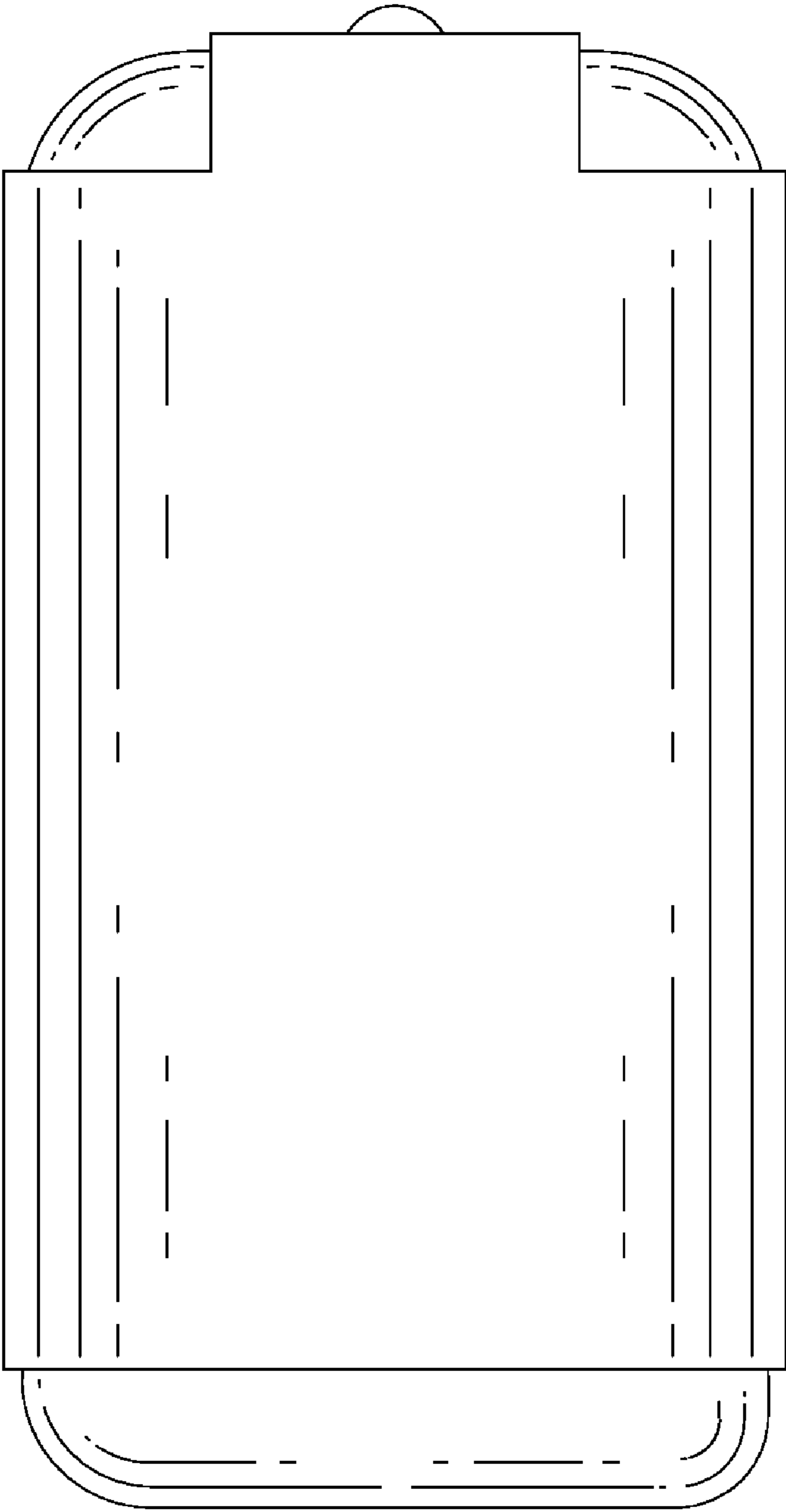


FIG. 6

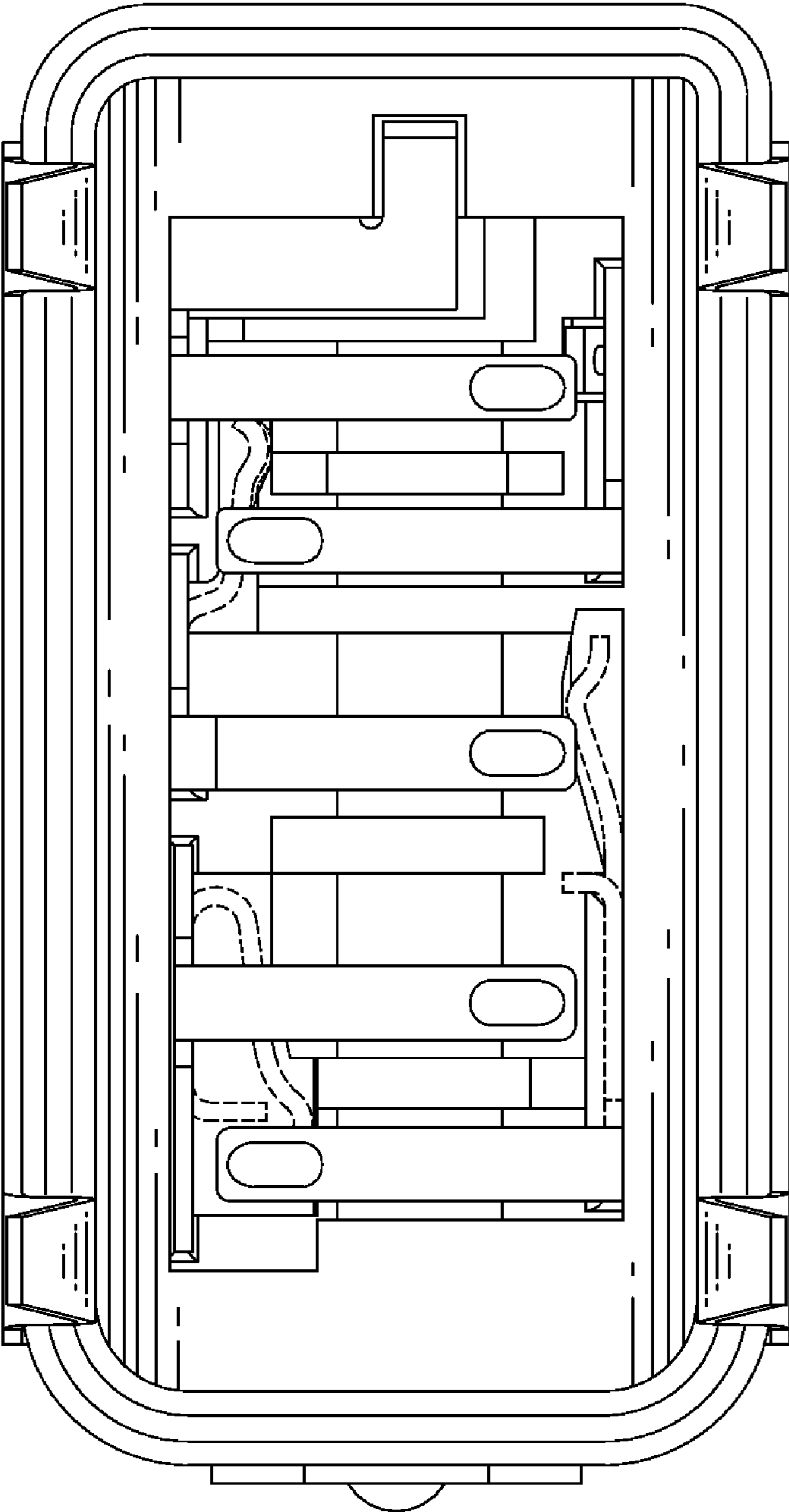


FIG. 7

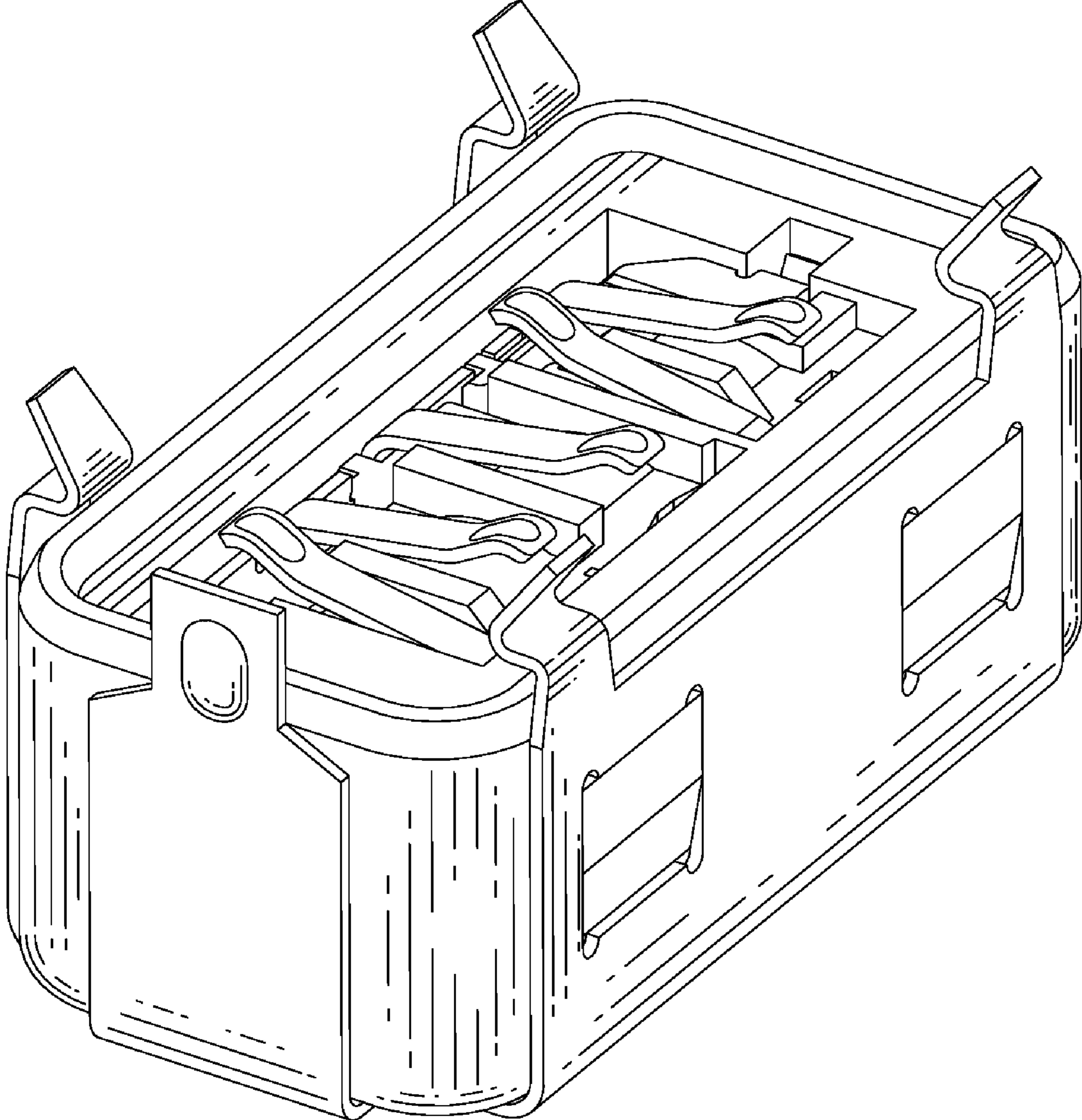


FIG. 8