



US00D631843S

(12) **United States Design Patent**
Nagata

(10) **Patent No.:** **US D631,843 S**
(45) **Date of Patent:** **** Feb. 1, 2011**

- (54) **ELECTRICAL CONNECTOR**
- (75) Inventor: **Takayuki Nagata, Yao (JP)**
- (73) Assignee: **Hosiden Corporation, Yao-shi (JP)**
- (**) Term: **14 Years**
- (21) Appl. No.: **29/362,216**
- (22) Filed: **May 21, 2010**

- D548,191 S 8/2007 Arai et al.
- D586,754 S 2/2009 Yuan et al.
- D593,495 S 6/2009 Zhu et al.
- D593,496 S 6/2009 Zhu et al.
- D600,646 S 9/2009 Han et al.

Primary Examiner—Daniel D Bui
(74) *Attorney, Agent, or Firm*—Rankin, Hill & Clark LLP

Related U.S. Application Data

- (62) Division of application No. 29/341,087, filed on Jul. 30, 2009, now Pat. No. Des. 618,620.

Foreign Application Priority Data

- (30) Feb. 3, 2009 (JP) 2009-002136
- Feb. 3, 2009 (JP) 2009-002137
- Feb. 3, 2009 (JP) 2009-002138
- Feb. 16, 2009 (JP) 2009-002991

- (51) **LOC (9) Cl.** **13-03**
- (52) **U.S. Cl.** **D13/147**
- (58) **Field of Classification Search** D13/147,
D13/154, 184; 439/108, 476.1, 483, 527,
439/533, 607-610, 892, 894
See application file for complete search history.

(56) **References Cited**

U.S. PATENT DOCUMENTS

- D432,992 S 10/2000 Lok
- D538,232 S 3/2007 Wan et al.

(57) **CLAIM**

I claim the ornamental design for an electrical connector, as shown and described.

DESCRIPTION

FIG. 1 is a front, right side and top perspective view of an electrical connector showing my new design;
 FIG. 2 is a rear, left side and bottom perspective view thereof;
 FIG. 3 is a front elevation view thereof;
 FIG. 4 is a rear elevation view thereof;
 FIG. 5 is a left side view thereof, a right side view being a mirror image thereof;
 FIG. 6 is top plan view thereof; and,
 FIG. 7 is a bottom plan view thereof.

The broken line portion of the figure drawings is included to show unclaimed subject matter only and forms no part of the claimed design.

1 Claim, 4 Drawing Sheets

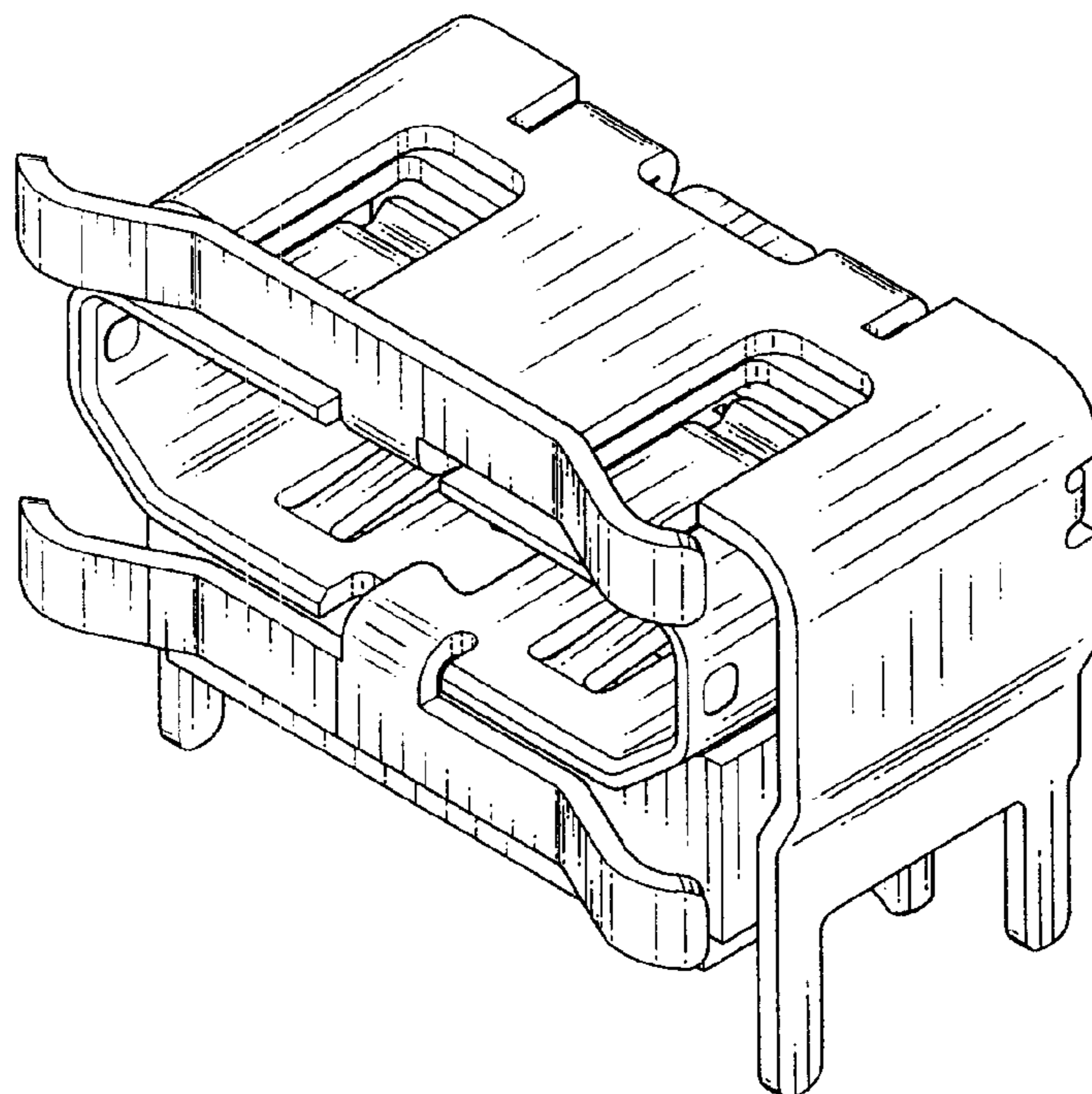


FIG. 1

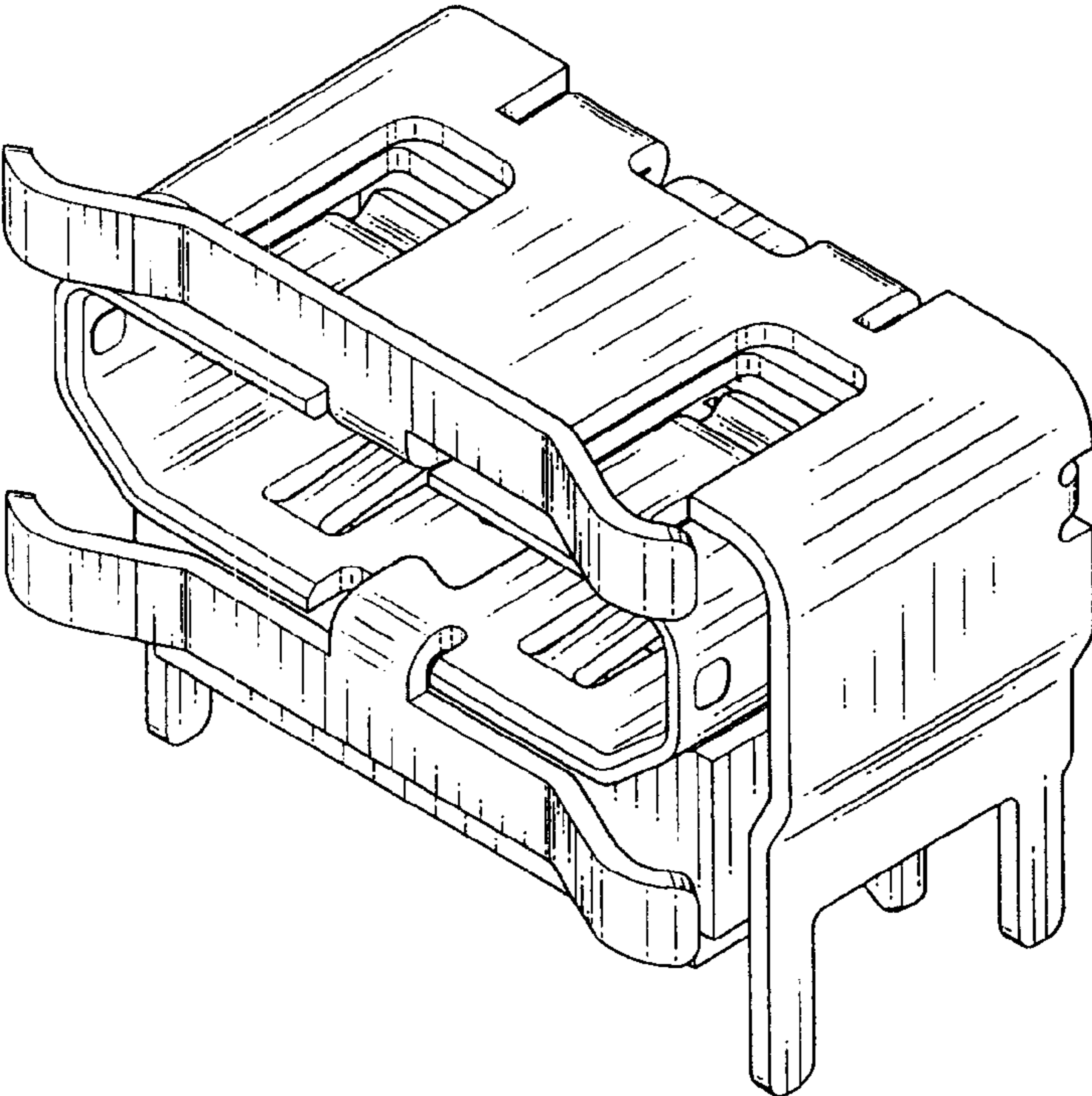


FIG. 2

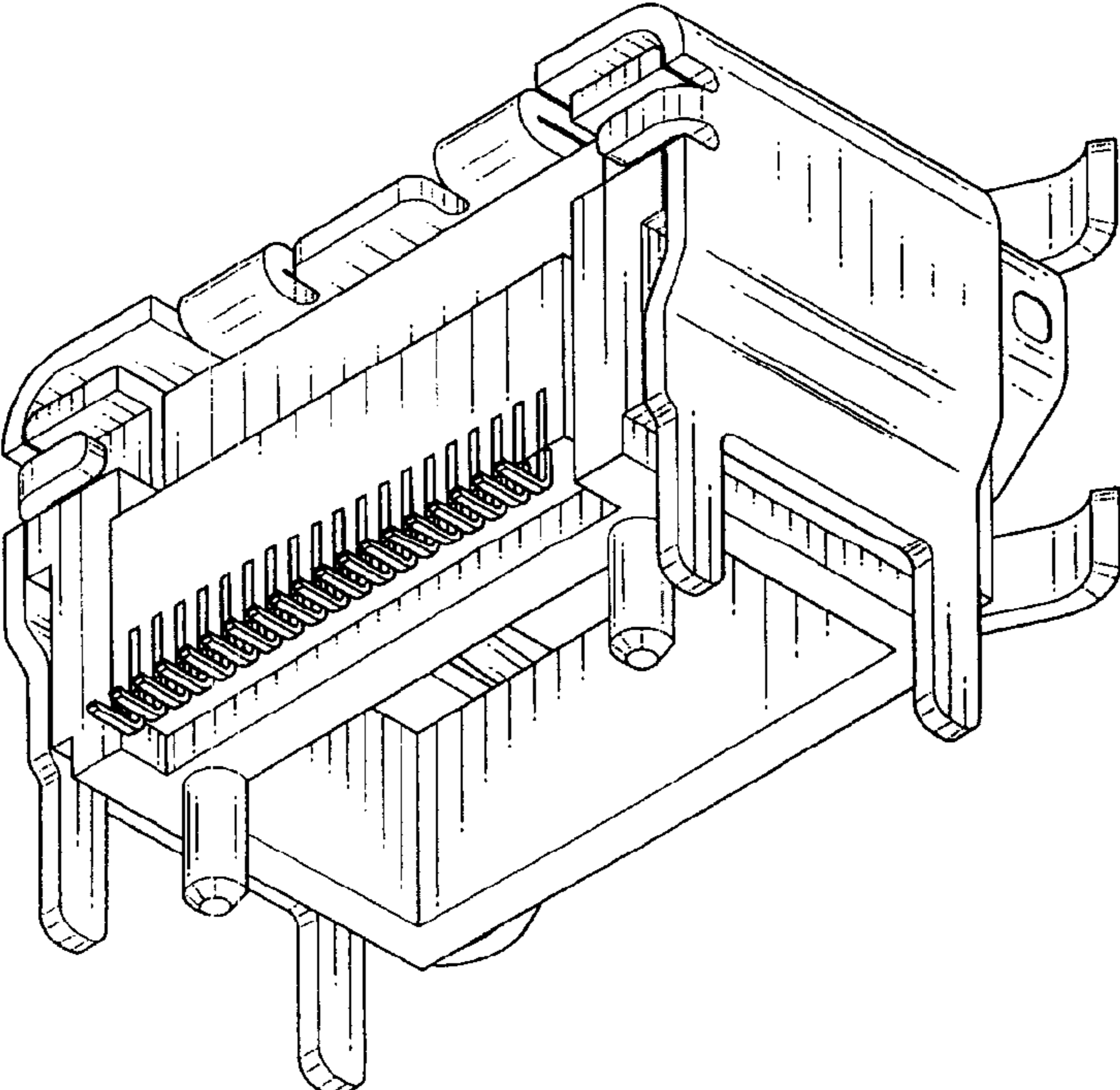


FIG. 3

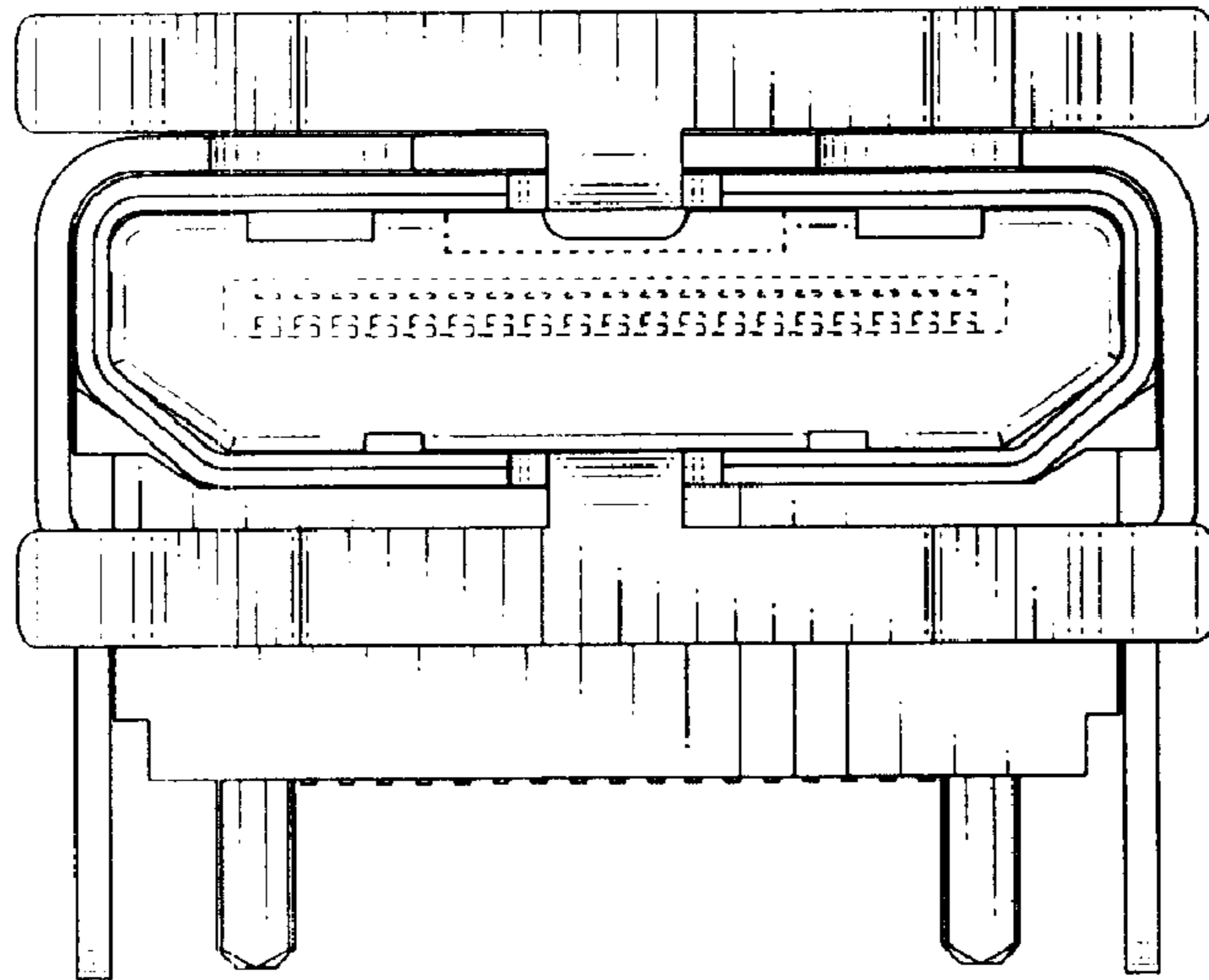


FIG. 4

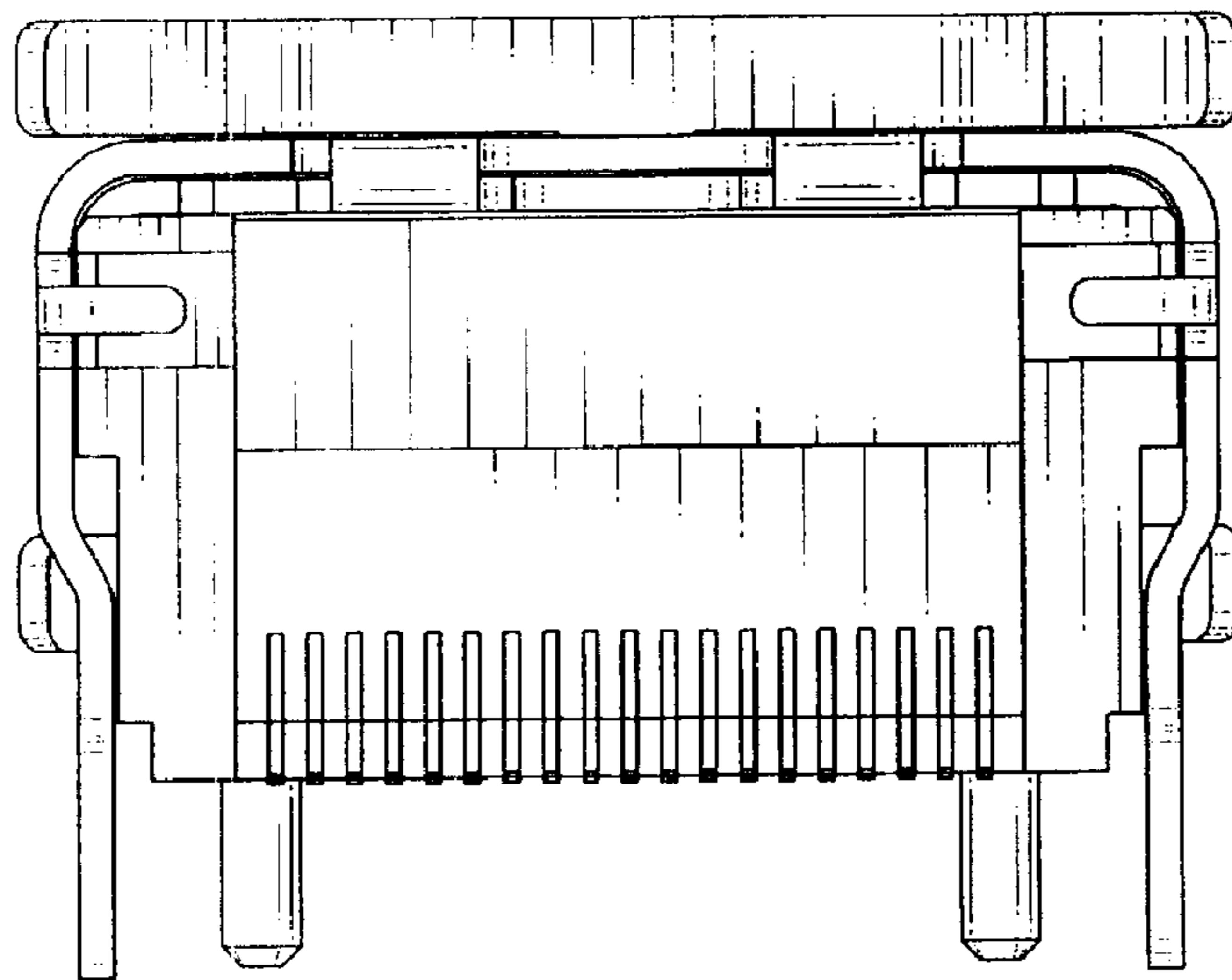


FIG. 5

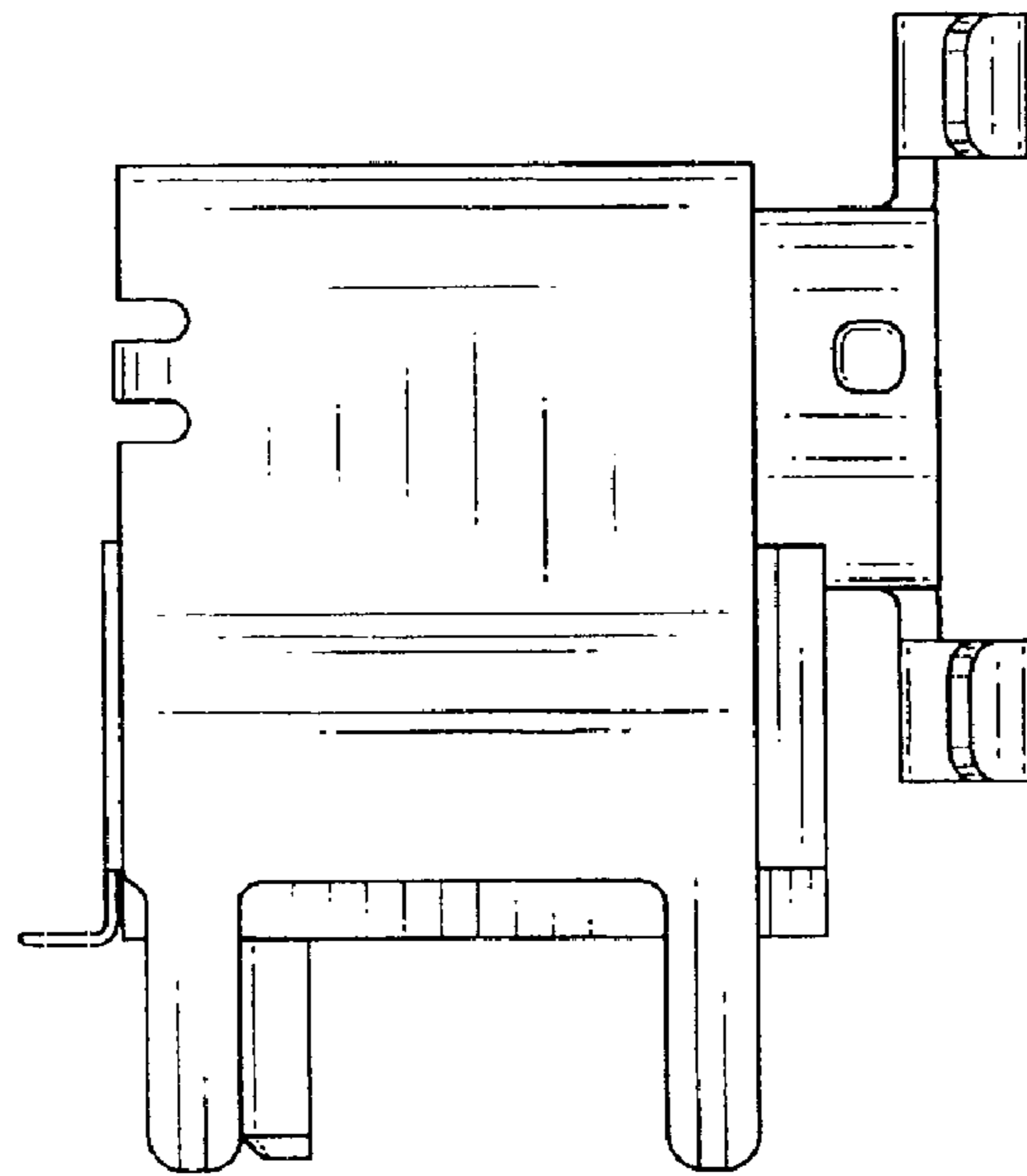


FIG. 6

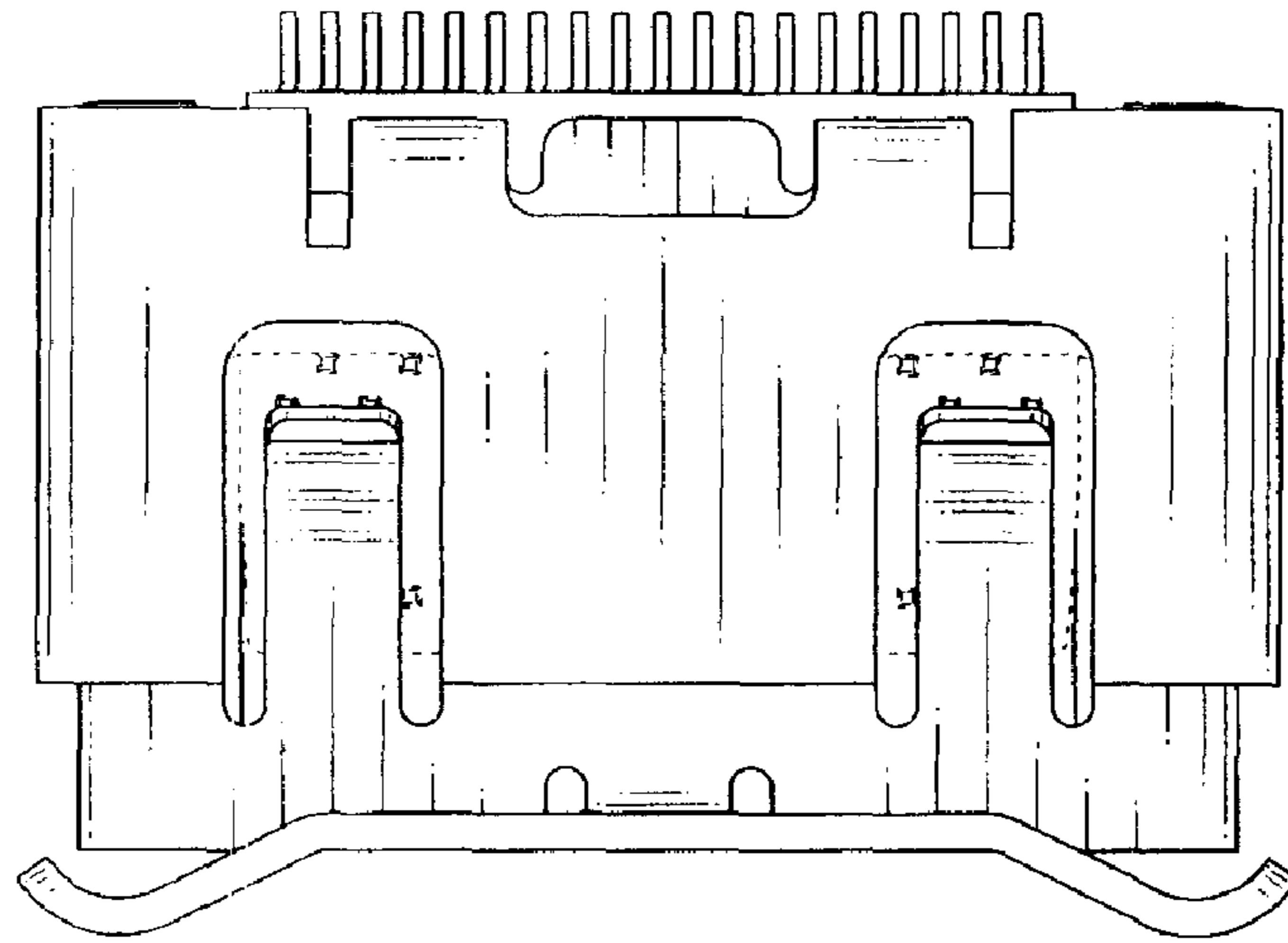


FIG. 7

