



US00D631842S

(12) **United States Design Patent**  
**Sun et al.**

(10) **Patent No.:** **US D631,842 S**

(45) **Date of Patent:** **\*\* Feb. 1, 2011**

(54) **AUDIO JACK CONNECTOR**

(75) Inventors: **Dao-Rui Sun**, Guang-Dong (CN); **Feng Zhu**, Guang-Dong (CN); **Kuo-Chin Lin**, Tu-Cheng (TW)

(73) Assignee: **Cheng Uei Precision Industry Co., Ltd.**, Tu-Cheng, Taipei Hsien (TW)

(\*\*) Term: **14 Years**

(21) Appl. No.: **29/351,523**

(22) Filed: **Dec. 7, 2009**

(51) **LOC (9) Cl.** ..... **13-03**

(52) **U.S. Cl.** ..... **D13/147**

(58) **Field of Classification Search** ..... D13/147,  
D13/154, 184; 439/188, 607.01, 607.04,  
439/607.05, 607.17, 607.25, 607.34, 607.41,  
439/607.53, 668, 540.1, 541.5, 939

See application file for complete search history.

(56) **References Cited**

**U.S. PATENT DOCUMENTS**

D462,054 S \* 8/2002 Ma et al. .... D13/133

D467,872 S \* 12/2002 Yeh ..... D13/133

D575,231 S \* 8/2008 Ho et al. .... D13/133

D577,674 S \* 9/2008 Long et al. .... D13/133

\* cited by examiner

*Primary Examiner*—Daniel D Bui

(74) *Attorney, Agent, or Firm*—Cheng-Ju Chiang

(57) **CLAIM**

The ornamental design for an audio jack connector, as shown and described.

**DESCRIPTION**

FIG. 1 is a perspective view of an audio jack connector showing our new design;

FIG. 2 is a front elevational view thereof;

FIG. 3 is a rear elevational view thereof;

FIG. 4 is a left side elevational view thereof;

FIG. 5 is a right side elevational view thereof;

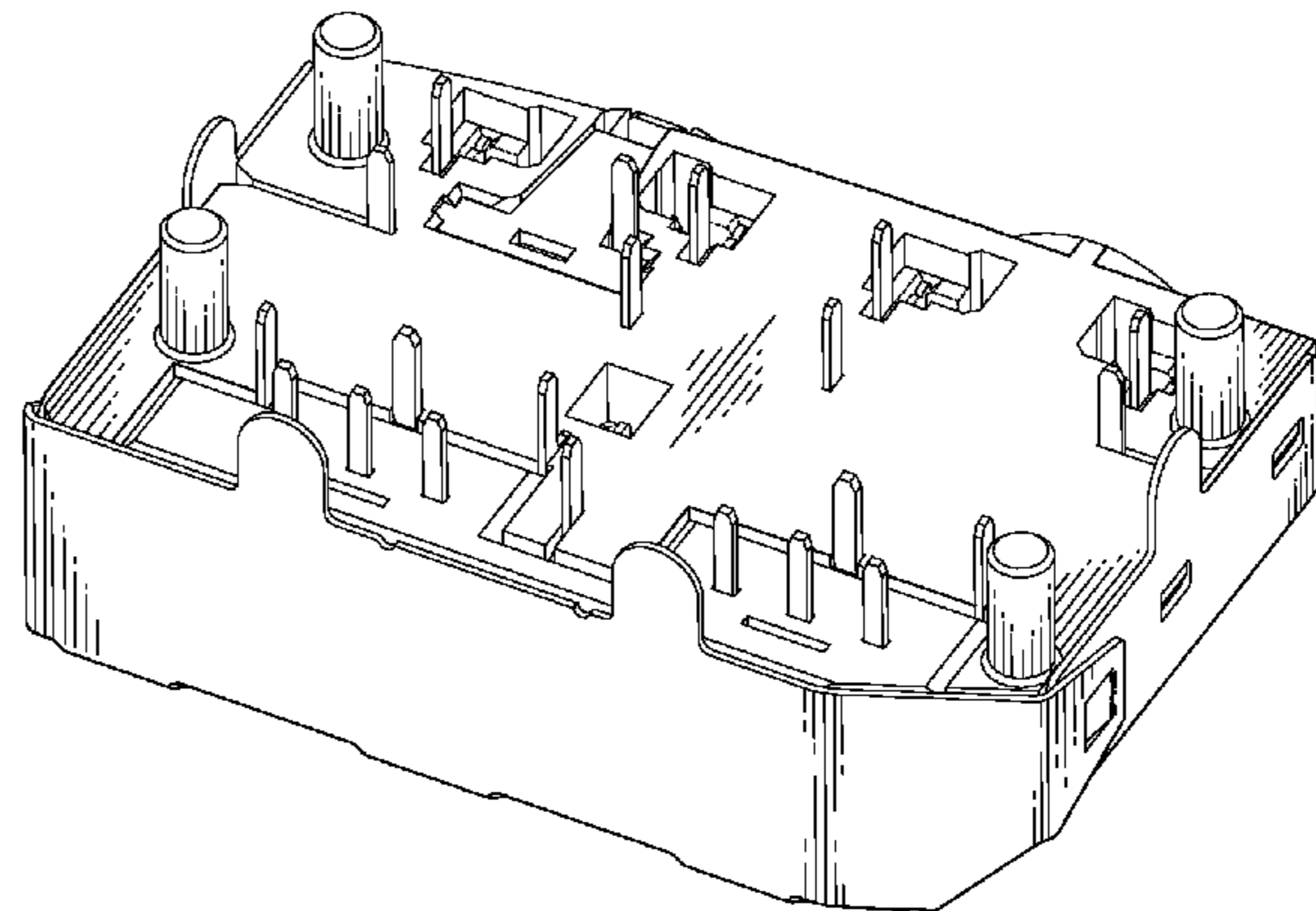
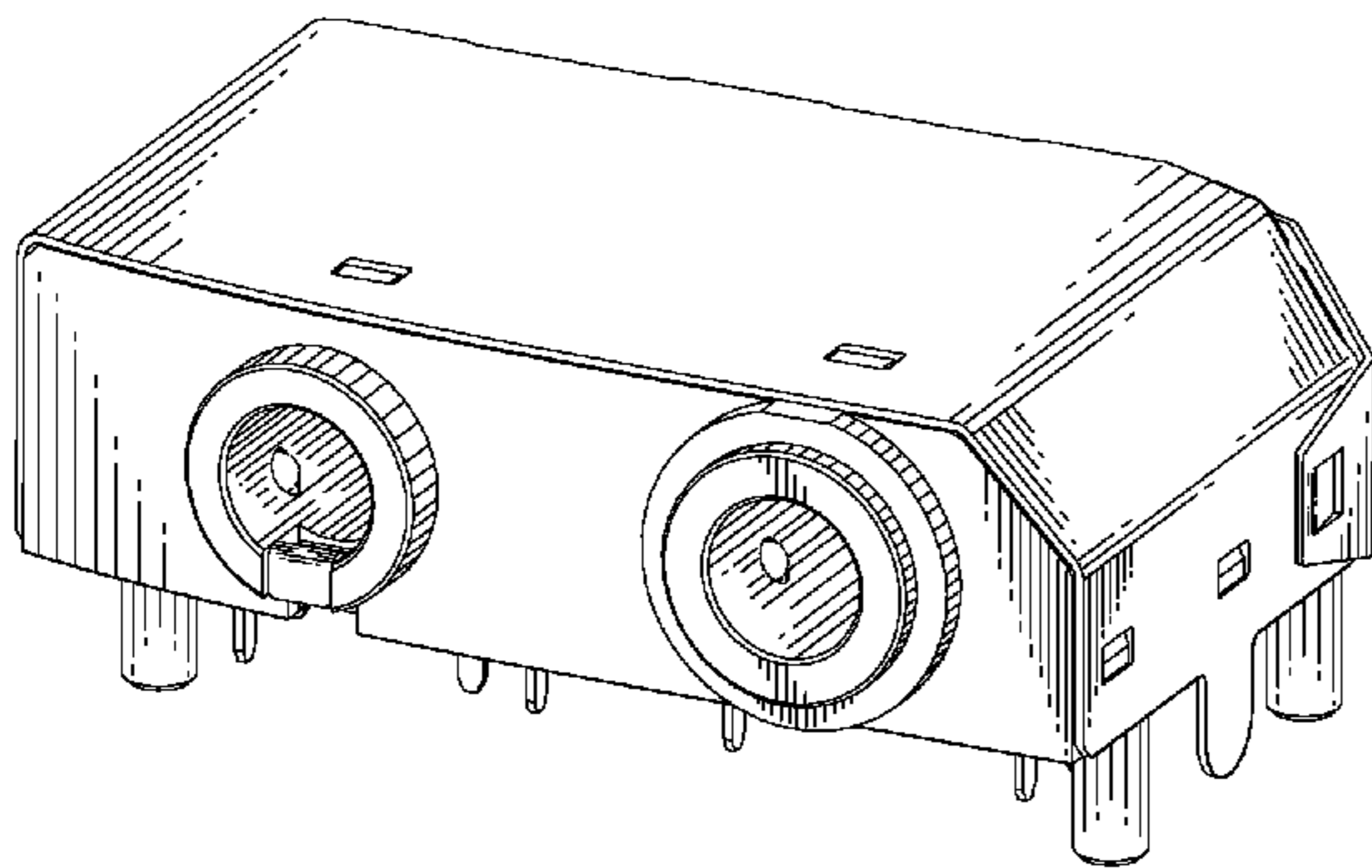
FIG. 6 is a top plan view thereof;

FIG. 7 is a bottom plan view thereof; and,

FIG. 8 is another perspective view of the audio jack connector showing our new design.

The broken lines in the Figures are included to show unclaimed subject matter only and form no part of the claimed designs.

**1 Claim, 8 Drawing Sheets**



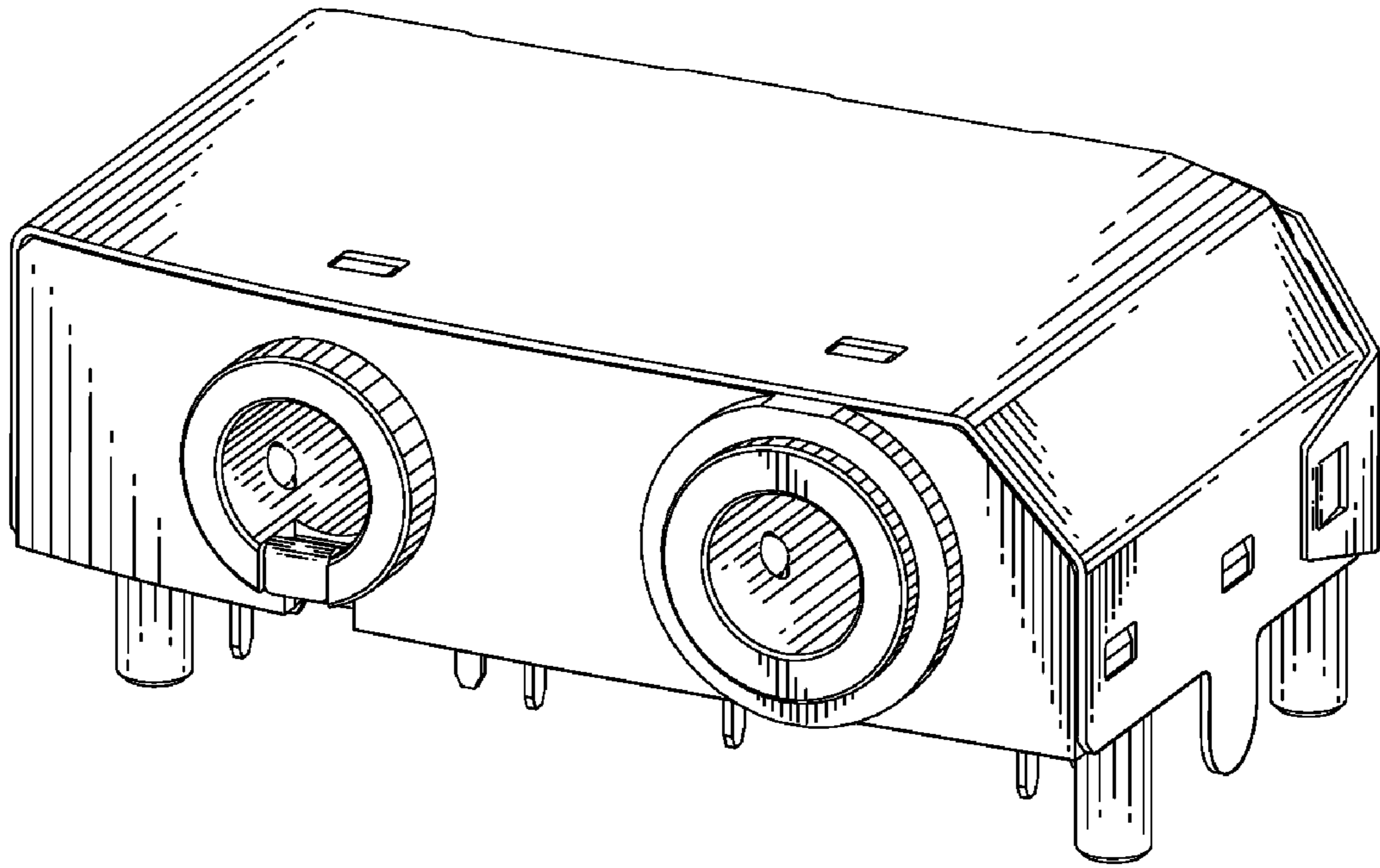


FIG. 1

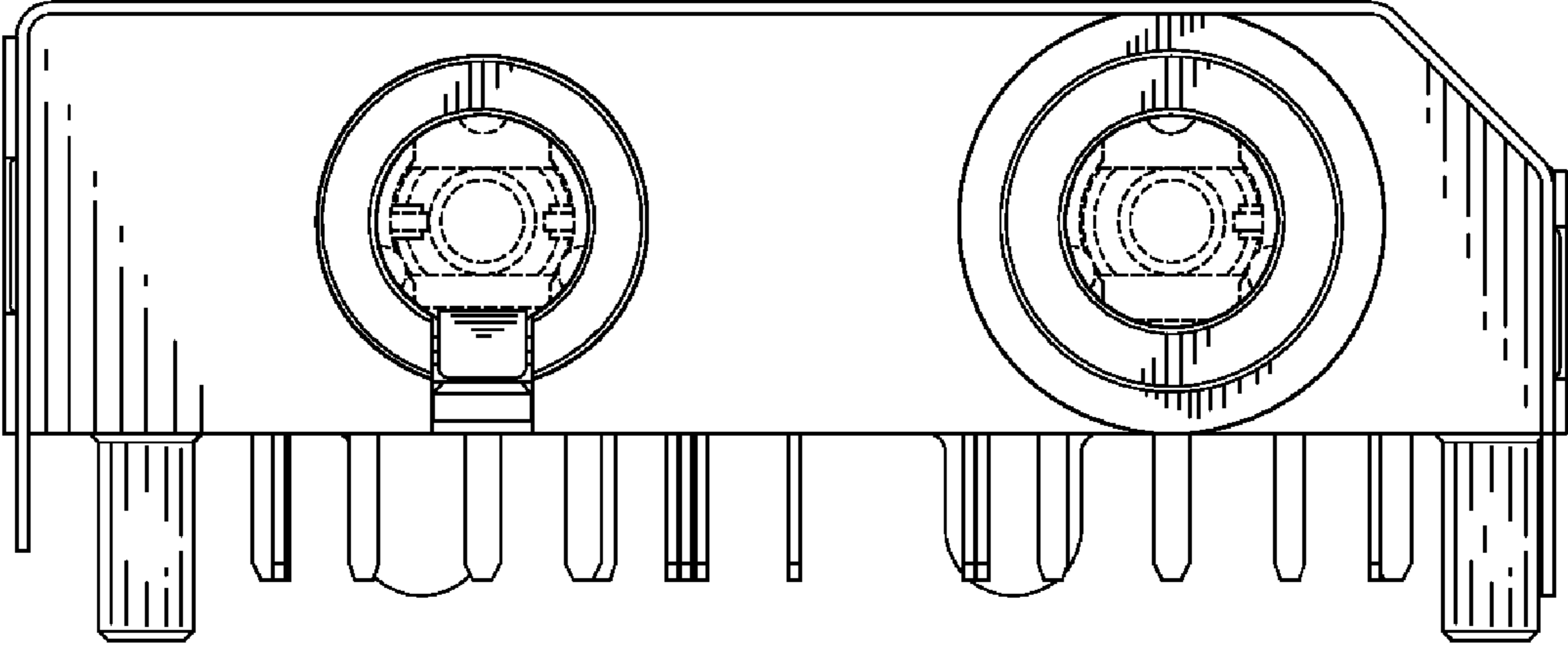


FIG. 2

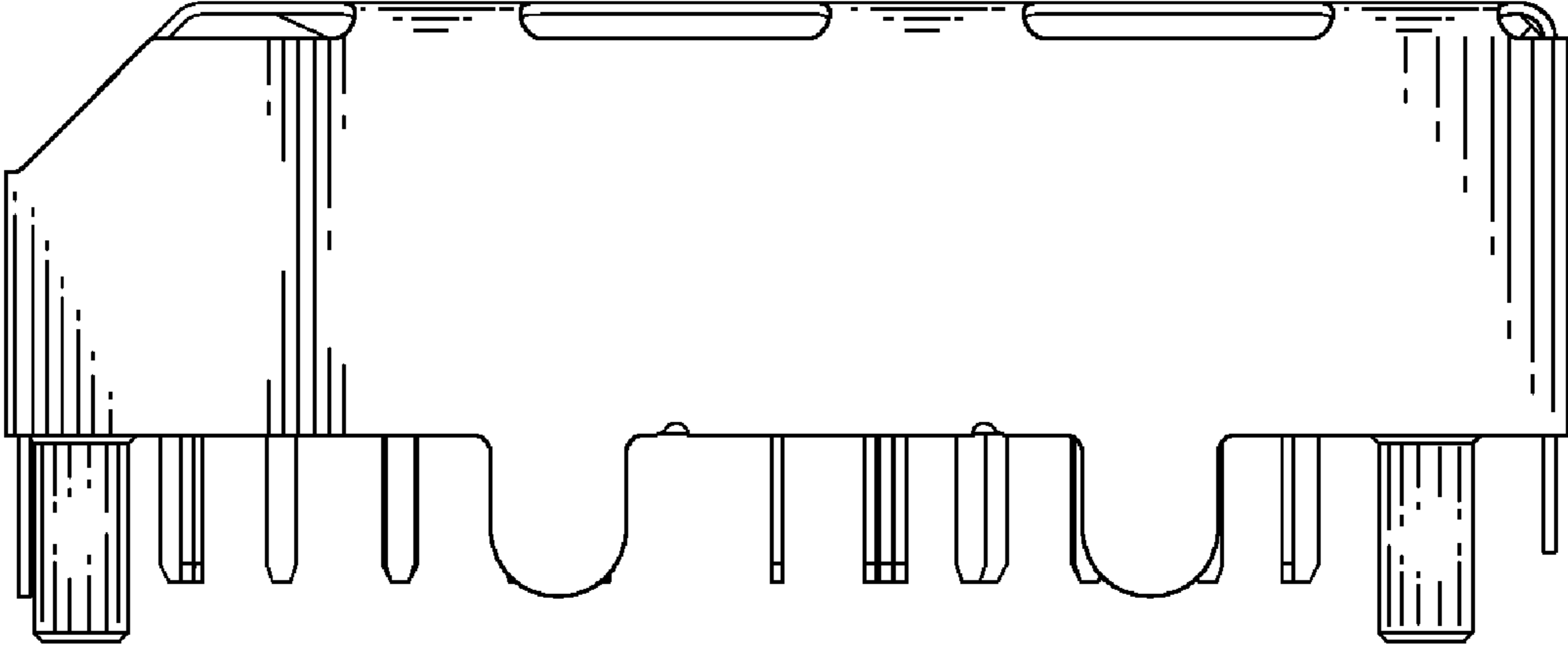


FIG. 3

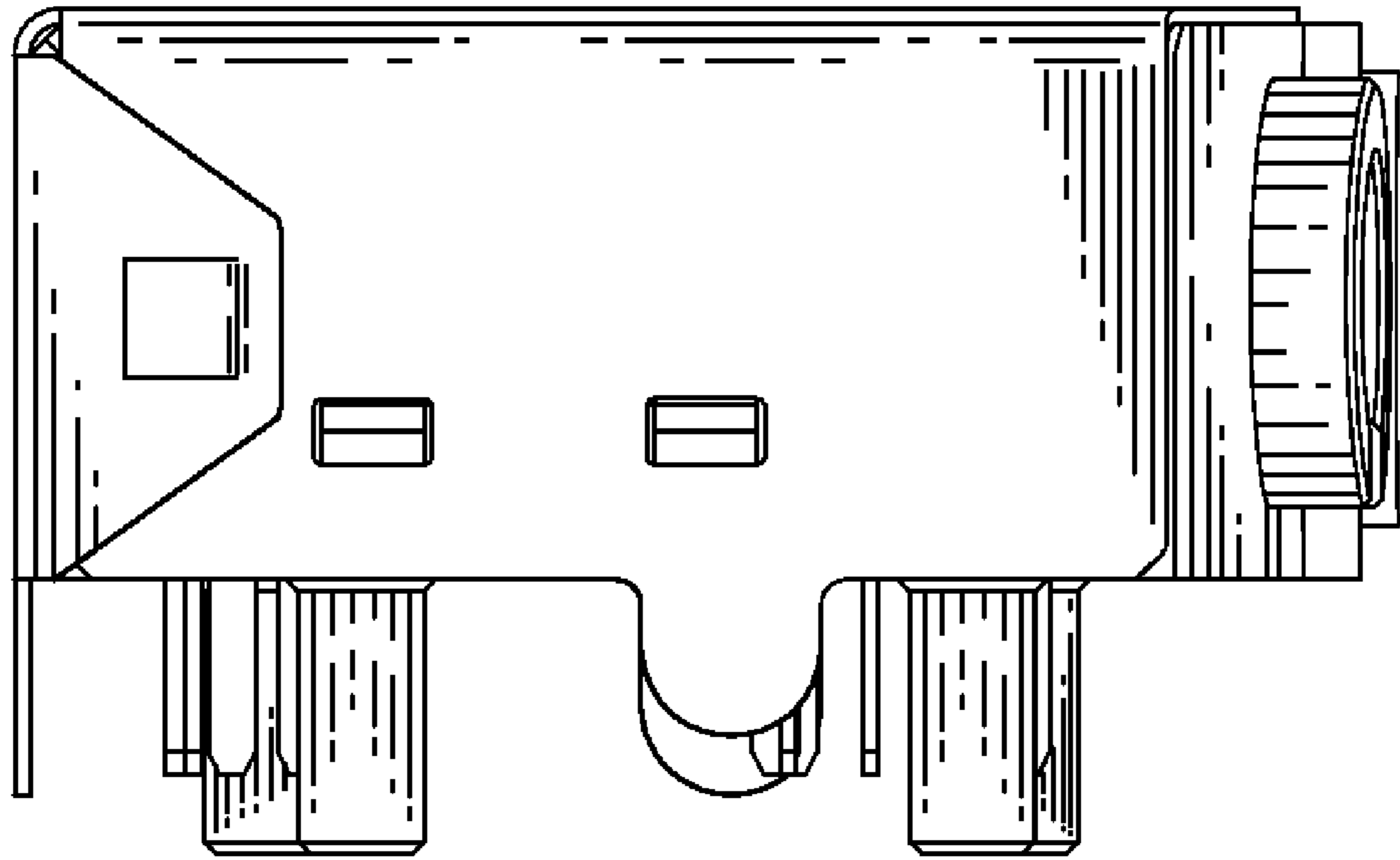


FIG. 4

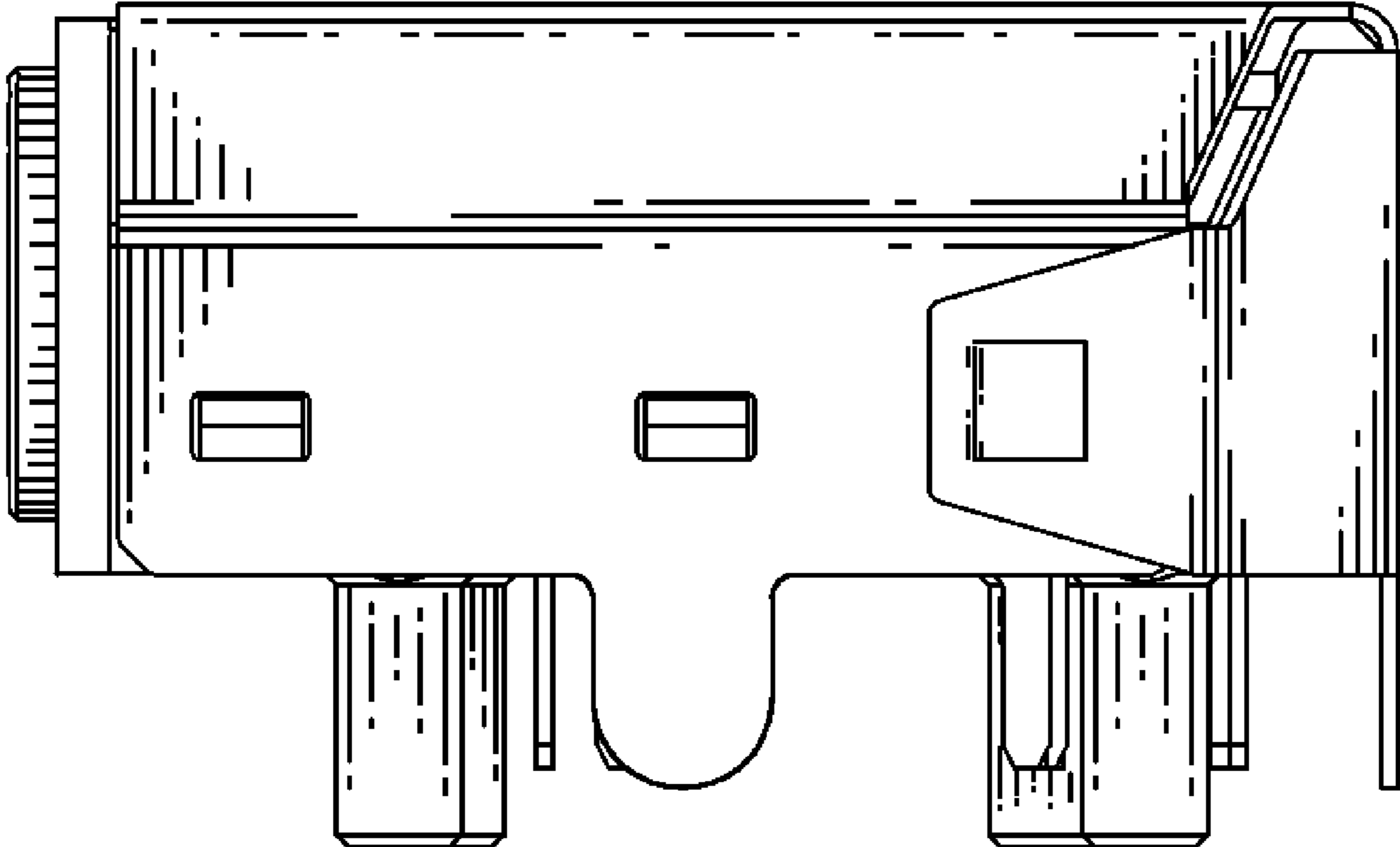


FIG. 5

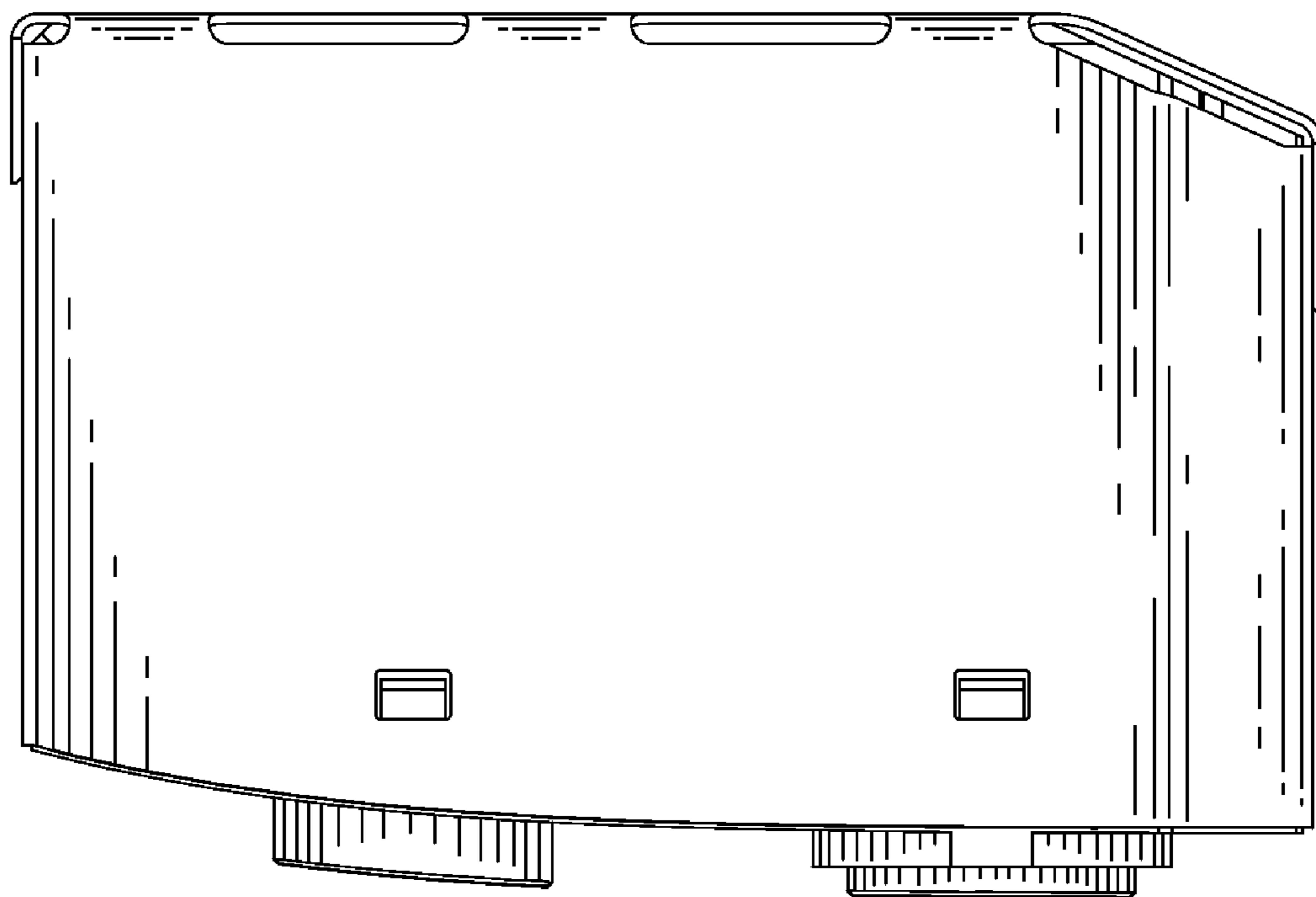


FIG. 6

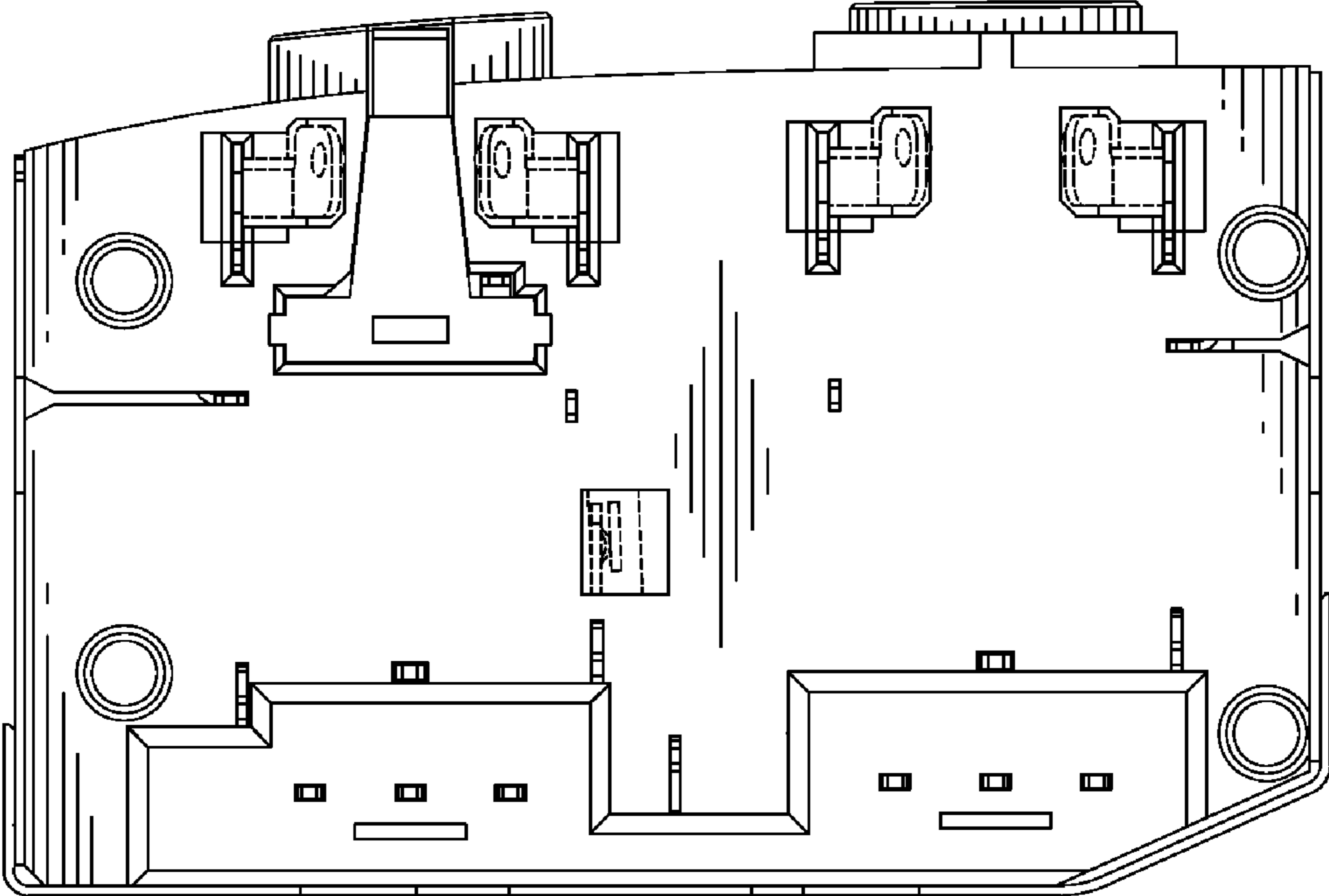


FIG. 7



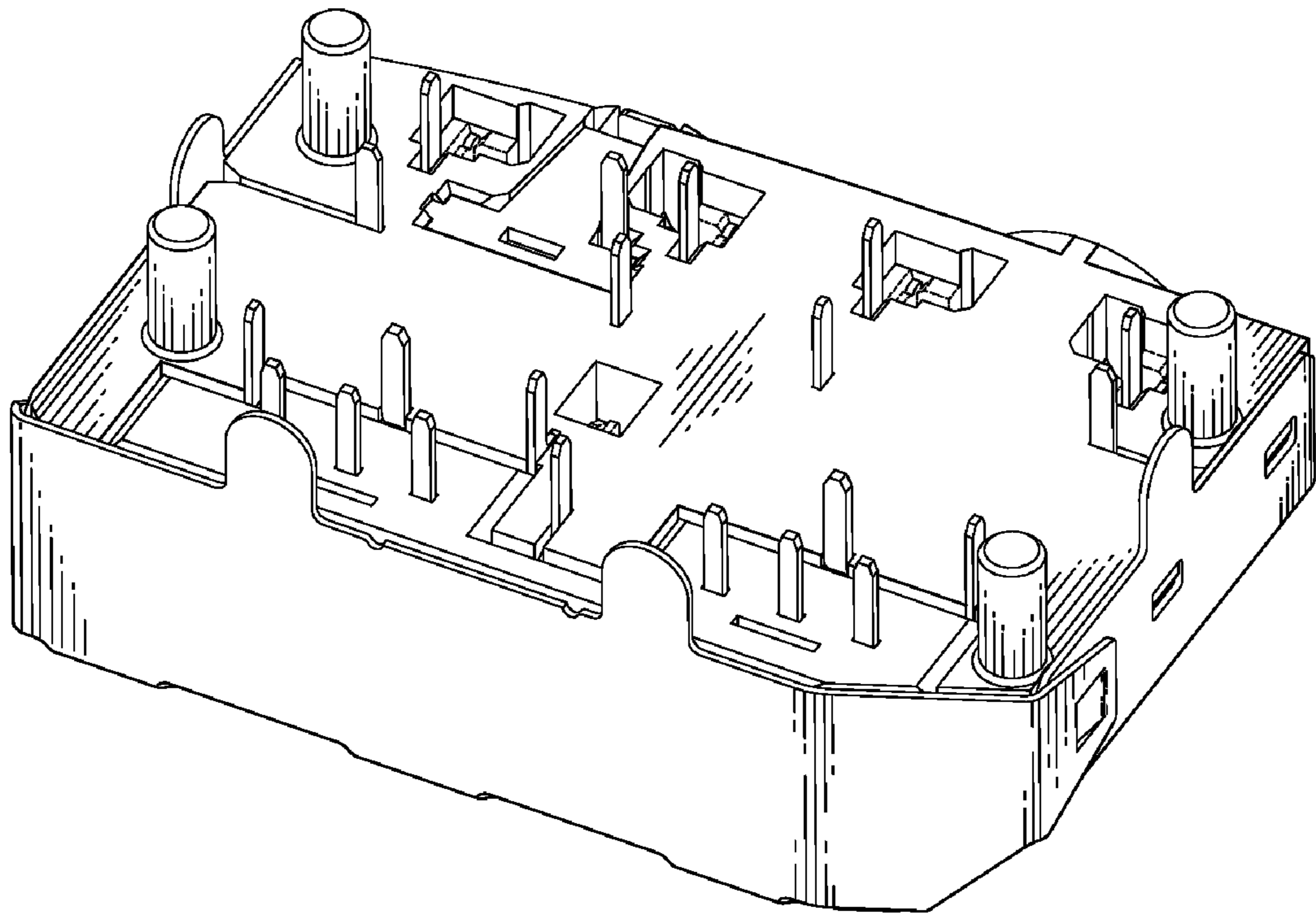


FIG. 8