



US00D631841S

(12) **United States Design Patent**
Urano

(10) **Patent No.:** **US D631,841 S**
(45) **Date of Patent:** **** Feb. 1, 2011**

(54) **CONNECTOR FOR COLD-CATHODE
FLUORESCENT LAMP**

(75) Inventor: **Tetsu Urano**, Tokyo (JP)

(73) Assignee: **Japan Aviation Electronics Industry
Limited**, Tokyo (JP)

(**) Term: **14 Years**

(21) Appl. No.: **29/358,116**

(22) Filed: **Mar. 23, 2010**

(30) **Foreign Application Priority Data**

Sep. 25, 2009 (JP) 2009-021997

(51) **LOC (9) Cl.** **13-03**

(52) **U.S. Cl.** **D13/134**

(58) **Field of Classification Search** D13/123,
D13/133, 134, 136, 147, 149, 179; D26/138,
D26/140; 362/217, 147, 223, 260, 294; 439/241,
439/242, 243, 244, 239, 226, 240; 165/80.3,
165/104.33, 151, 122, 185; 257/706, 707,
257/718-722; 361/387, 695, 697, 700, 702,
361/704, 709, 710, 711, 719

See application file for complete search history.

(56) **References Cited**

U.S. PATENT DOCUMENTS

5,013,253 A * 5/1991 Aiello et al. 439/235
6,048,220 A * 4/2000 Altman et al. 439/235
7,059,888 B2 * 6/2006 Frappier et al. 439/375
7,473,117 B2 * 1/2009 Miyazono et al. 439/239
D591,237 S * 4/2009 Ohmori D13/134
2004/0090778 A1 * 5/2004 Noh 362/220
2006/0046558 A1 * 3/2006 Frappier et al. 439/375

2009/0239407 A1 * 9/2009 Noh 439/375

OTHER PUBLICATIONS

U.S. Appl. No. 29/358,114; First Named Inventor: Tetsu Urano; Title:
“Electrical Connector”; filed Mar. 23, 2010.

* cited by examiner

Primary Examiner—Thomas J Johannes

(74) *Attorney, Agent, or Firm*—Holtz, Holtz, Goodman &
Chick, PC

(57) **CLAIM**

The ornamental design for a connector for cold-cathode fluo-
rescent lamp, as shown and described.

DESCRIPTION

FIG. 1 is a front, top and right side perspective view of a
connector for cold-cathode fluorescent lamp showing my new
design;

FIG. 2 is a front elevational view thereof;

FIG. 3 is a rear elevational view thereof;

FIG. 4 is a top plan view thereof;

FIG. 5 is a bottom plan view thereof;

FIG. 6 is a right side elevational view thereof, the left side
elevational view being a mirror image;

FIG. 7 is a partial enlargement of the portion 7—7 shown in
FIG. 2;

FIG. 8 is a partial enlargement of the portion 8—8 shown in
FIG. 3;

FIG. 9 is a partial enlargement of the portion 9—9 shown in
FIG. 4; and,

FIG. 10 is a partial enlargement of the portion 10—10 shown
in FIG. 5.

The broken line portions shown in the drawings are included
to show unclaimed subject matter only and form no part of the
claimed design.

1 Claim, 6 Drawing Sheets

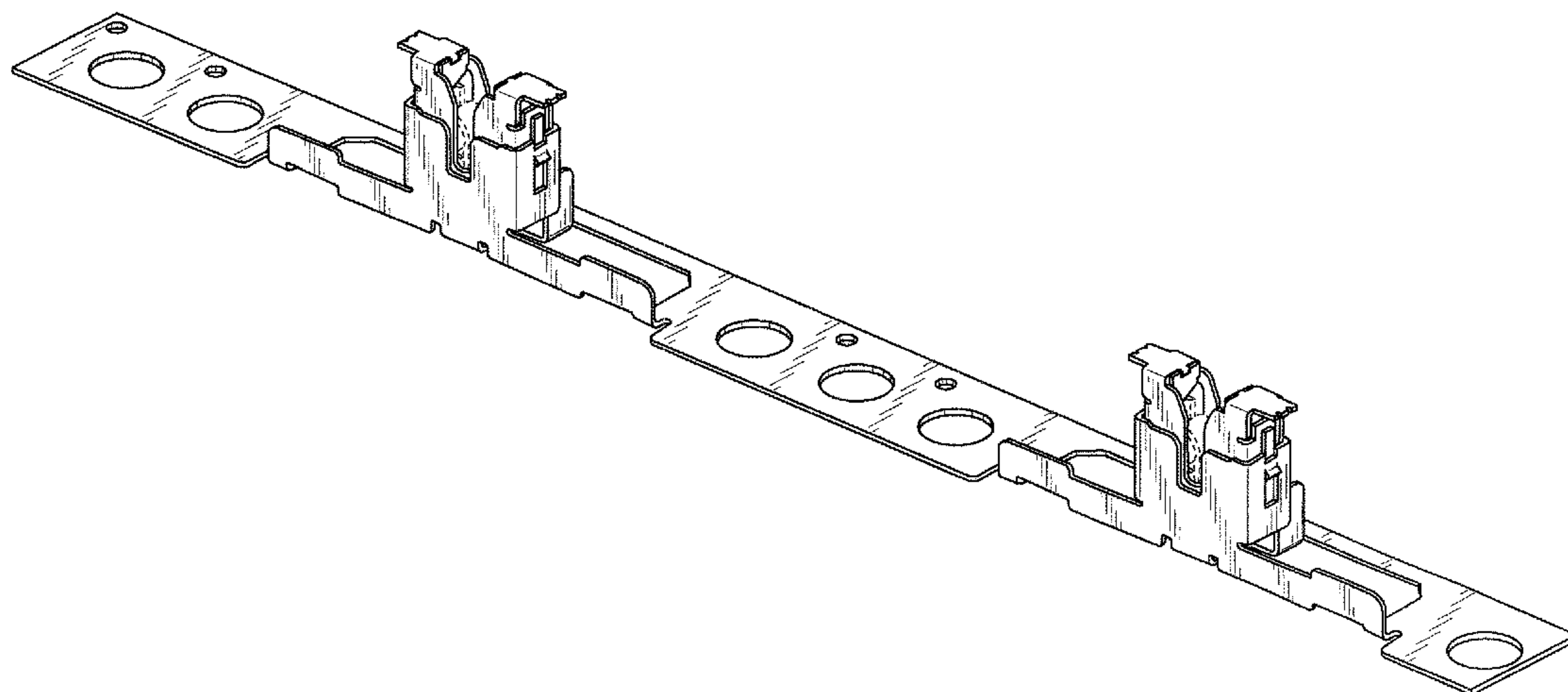


FIG. 1

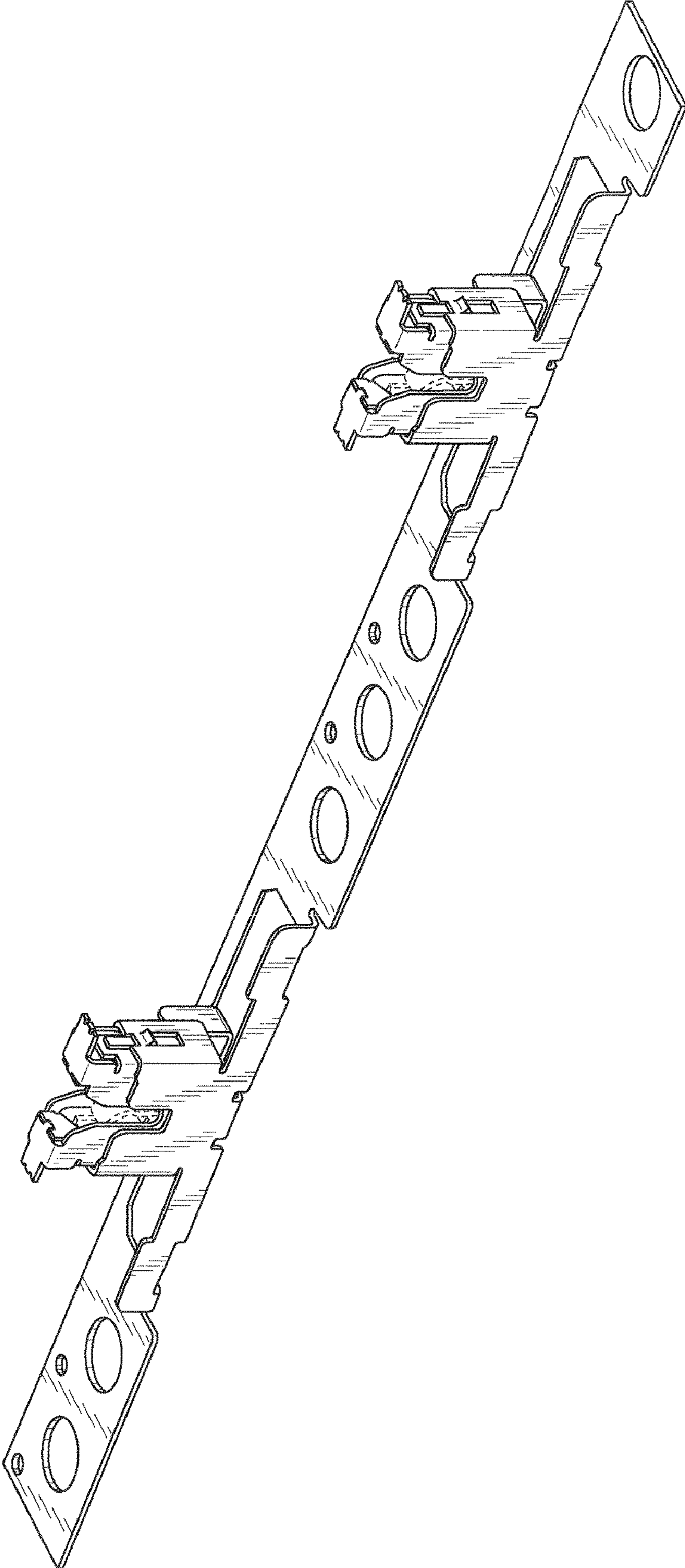


FIG. 2

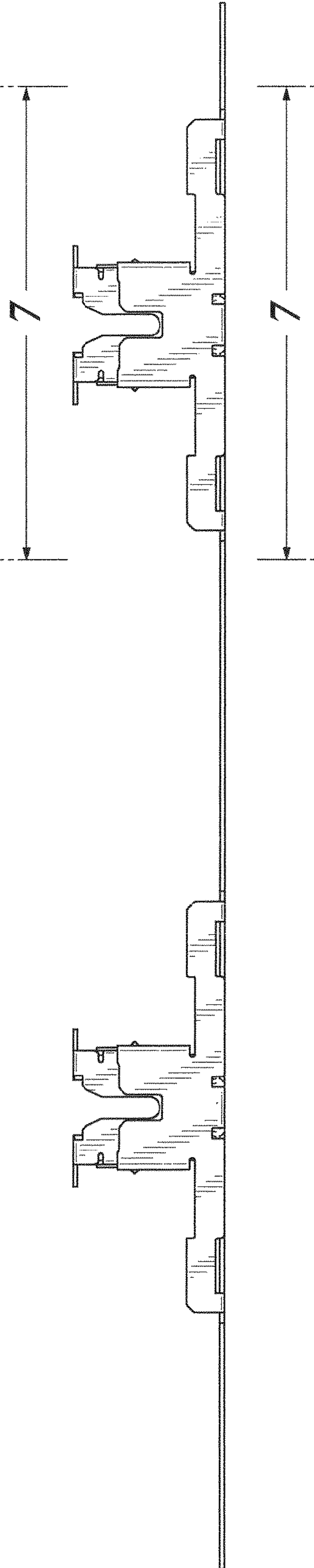


FIG. 3

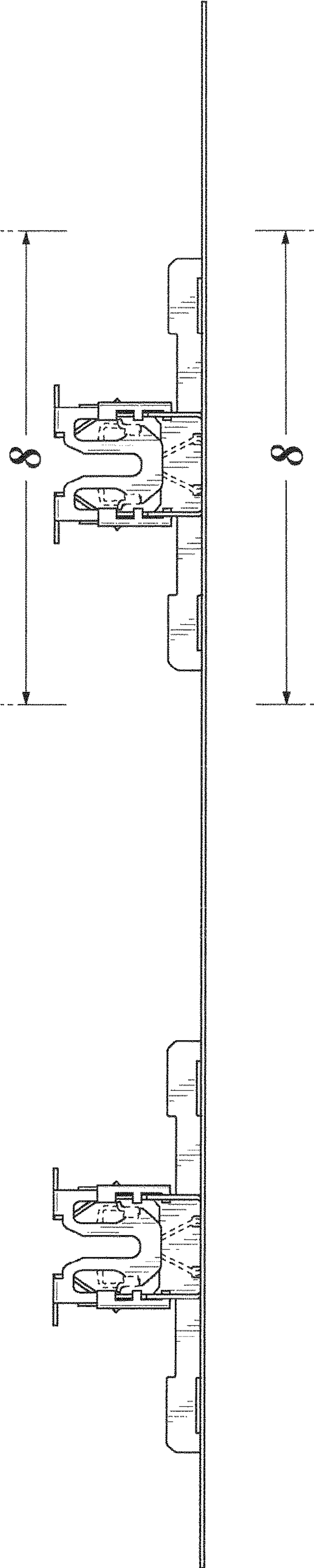


FIG. 4

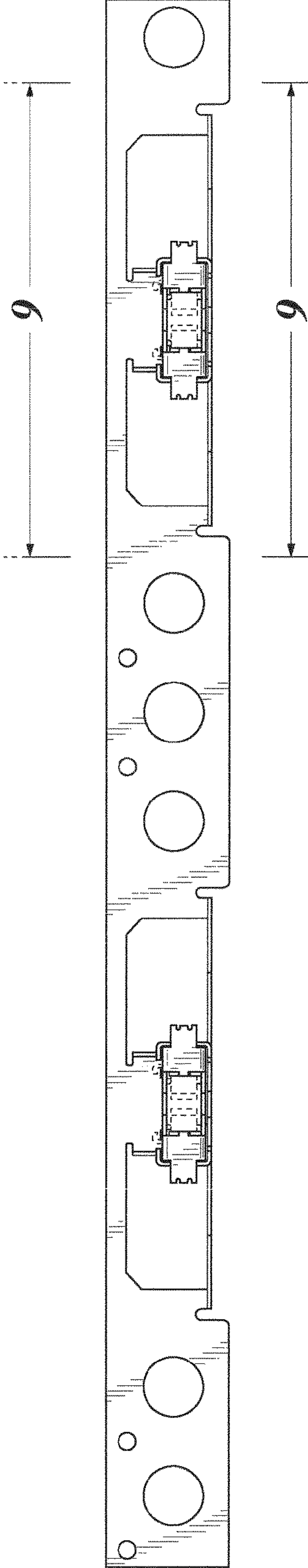


FIG. 5

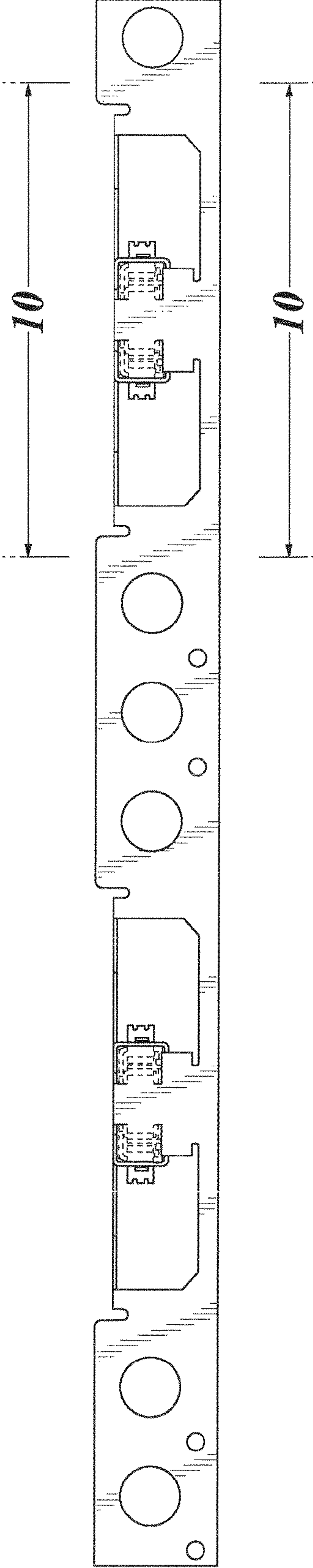


FIG. 6

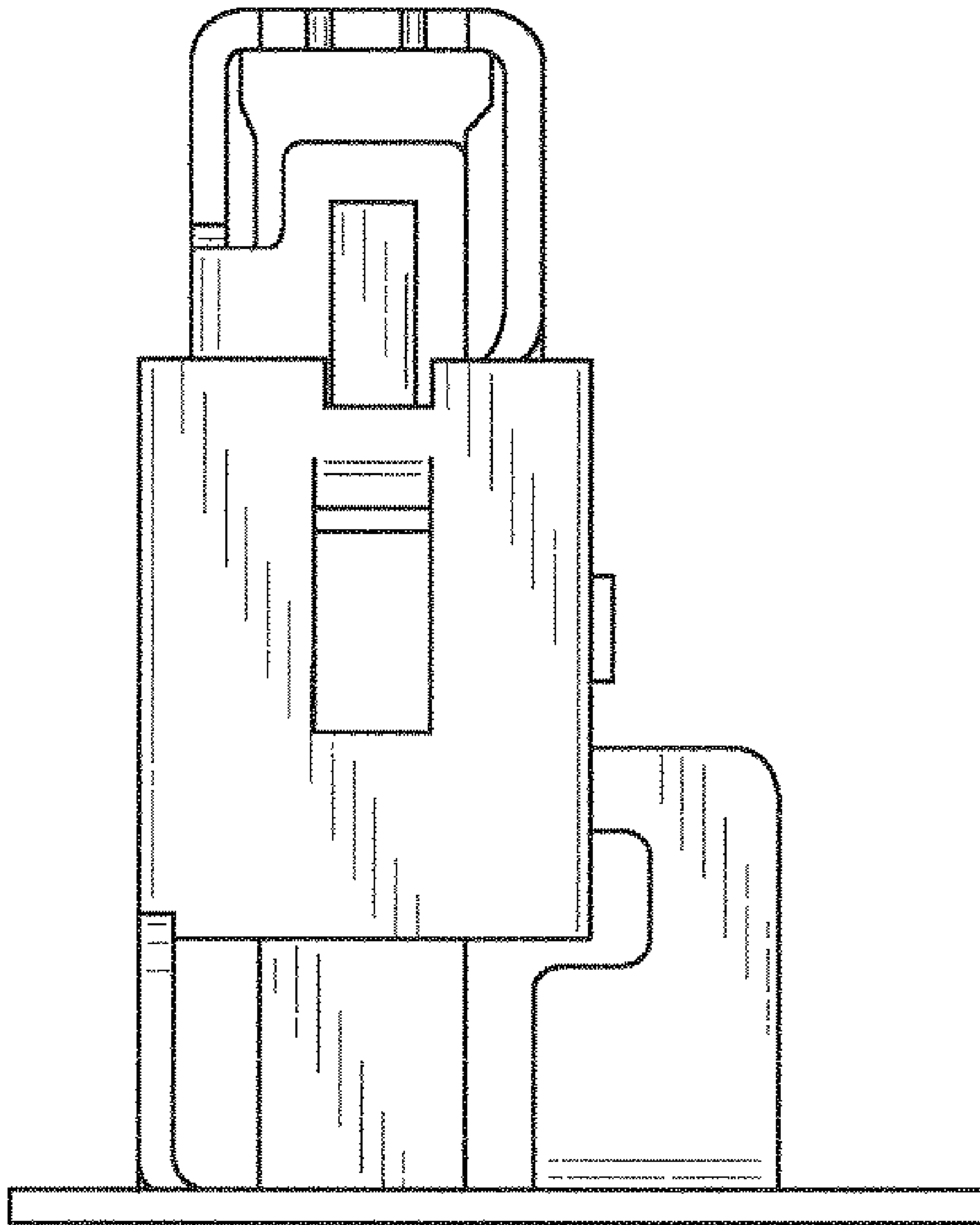


FIG. 7

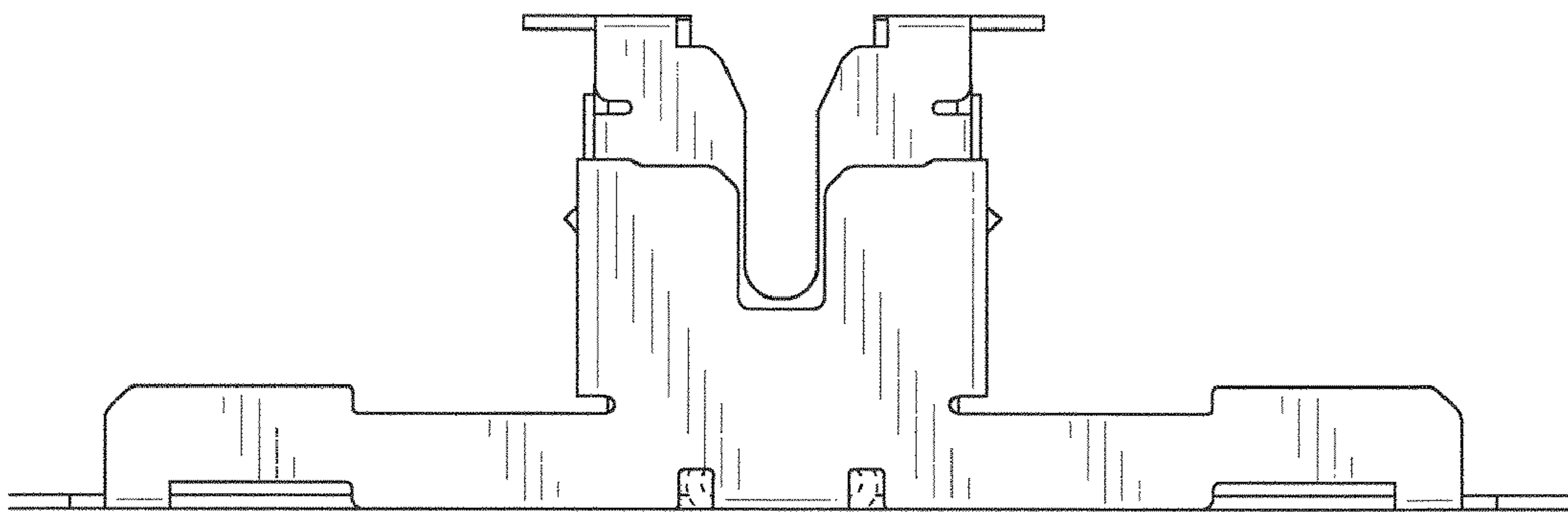


FIG. 8

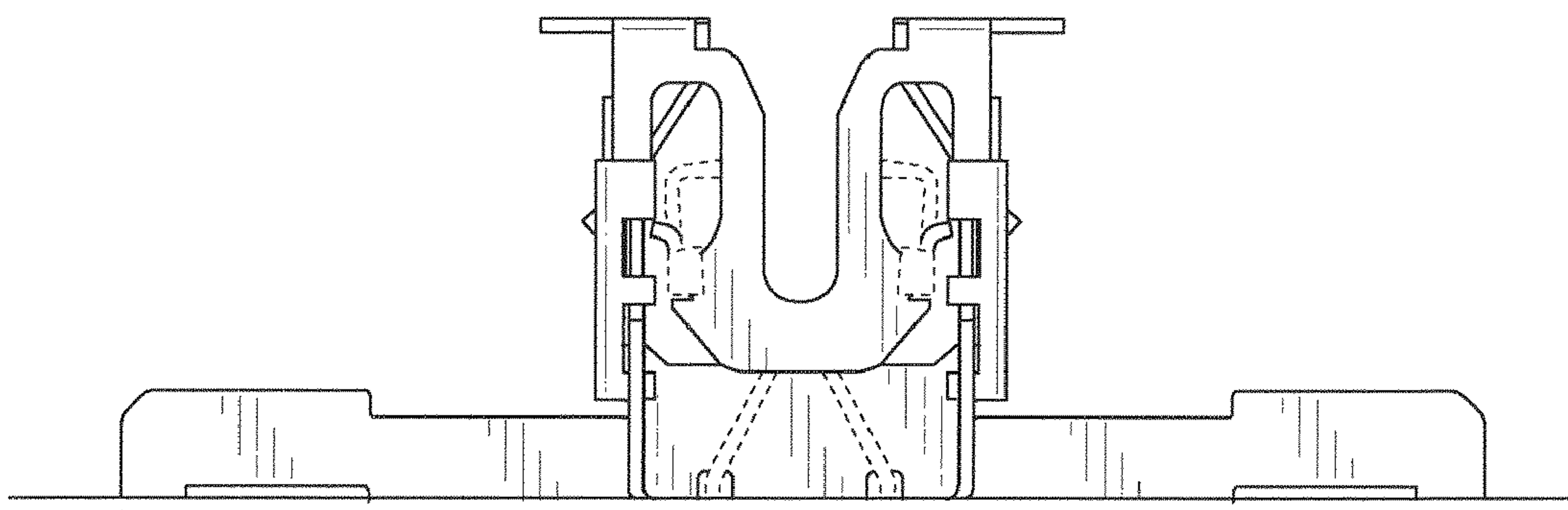


FIG. 9

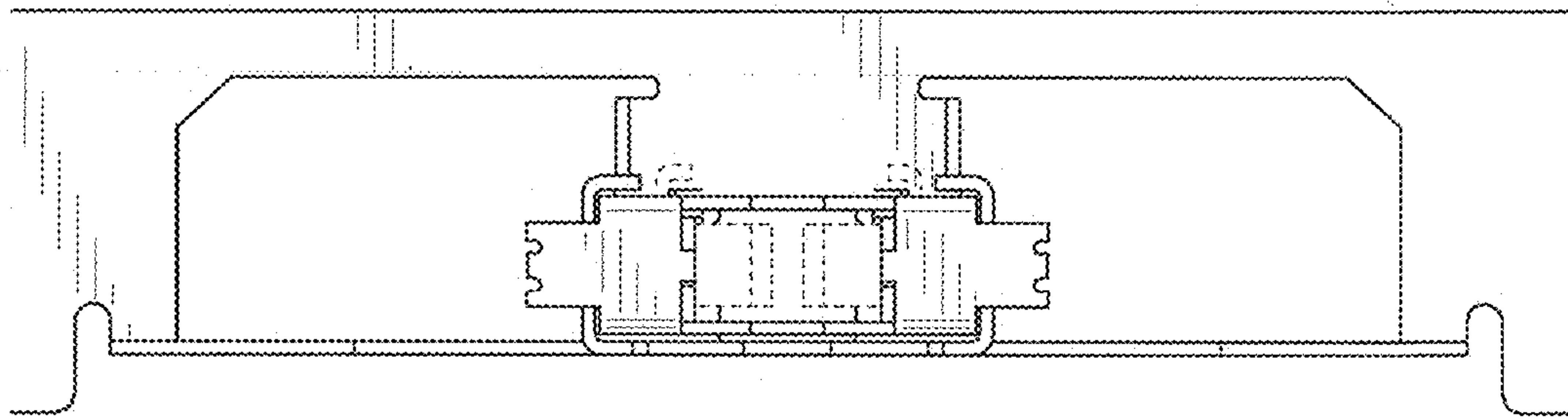


FIG. 10

