



US00D631839S

(12) **United States Design Patent**  
**Mockenhaupt**

(10) **Patent No.:** **US D631,839 S**

(45) **Date of Patent:** **\*\* Feb. 1, 2011**

(54) **CONTAINER FOR TRANSFORMER EQUIPMENT**

(75) **Inventor:** **Jan-Rainer Mockenhaupt,**  
Fuerth-Burgfarrnbach (DE)

(73) **Assignee:** **Siemens Aktiengesellschaft,** Munich  
(DE)

(\*\*) **Term:** **14 Years**

(21) **Appl. No.:** **29/323,565**

(22) **Filed:** **Aug. 27, 2008**

(30) **Foreign Application Priority Data**

Feb. 27, 2008 (EM) ..... 000894902

(51) **LOC (9) Cl.** ..... **13-02**

(52) **U.S. Cl.** ..... **D13/110**

(58) **Field of Classification Search** ..... D13/110,  
D13/101, 118, 123, 184, 199; 174/50, 58,  
174/520, 526; 310/316.01; 336/90, 182;  
361/35, 38, 72, 79, 132, 600, 623; 363/153,  
363/171

See application file for complete search history.

(56) **References Cited**

**U.S. PATENT DOCUMENTS**

D104,627 S \* 5/1937 Hitchcock et al. .... D13/110  
D117,971 S \* 12/1939 Eckman ..... D13/110  
D188,249 S \* 6/1960 Bianco et al. .... D13/110

D199,567 S \* 11/1964 Moore ..... D13/110  
D202,045 S \* 8/1965 Oberlin ..... D13/110  
3,479,563 A \* 11/1969 Roy ..... 361/41  
4,027,279 A \* 5/1977 Shigehara ..... 336/90  
D289,033 S \* 3/1987 Makinson et al. .... D13/110  
D294,565 S \* 3/1988 Makinson et al. .... D13/110  
D430,116 S \* 8/2000 Huang ..... D13/184  
D433,995 S \* 11/2000 Romano ..... D13/110

\* cited by examiner

*Primary Examiner*—Prabhakar Deshmukh

*Assistant Examiner*—Derrick Holland

(74) *Attorney, Agent, or Firm*—Laurence A. Greenberg;  
Werner H. Stemer; Ralph E. Locher

(57) **CLAIM**

The ornamental design for a container for transformer equipment, as shown and described.

**DESCRIPTION**

FIG. 1 is a top plan view of a container for transformer equipment showing my new design;

FIG. 2 is a side view thereof;

FIG. 3 is a rear view thereof;

FIG. 4 is a side view thereof;

FIG. 5 is a front view thereof;

FIG. 6 is a bottom plan view thereof; and,

FIG. 7 is a perspective view thereof.

**1 Claim, 7 Drawing Sheets**

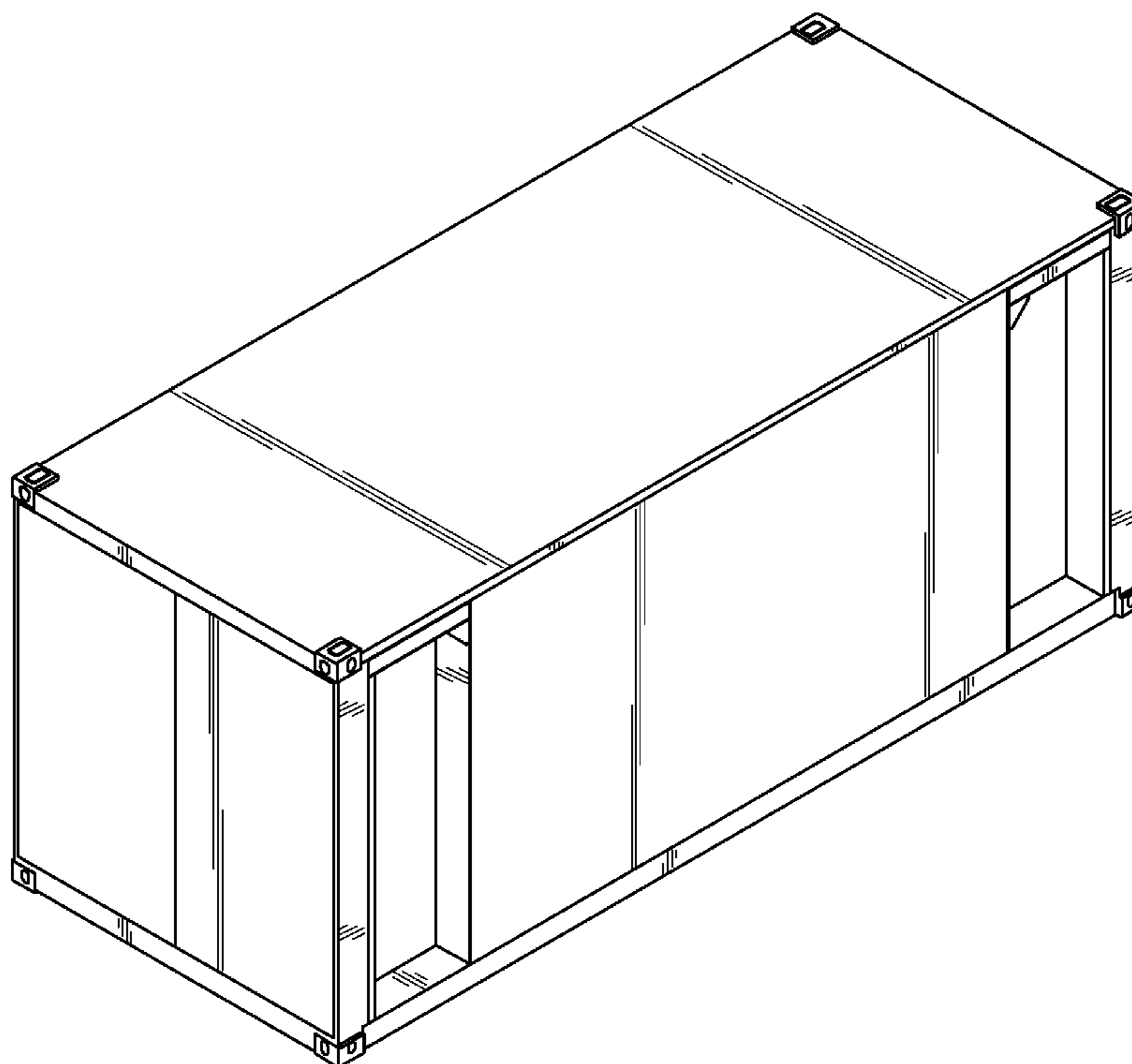


FIG. 1



FIG. 2

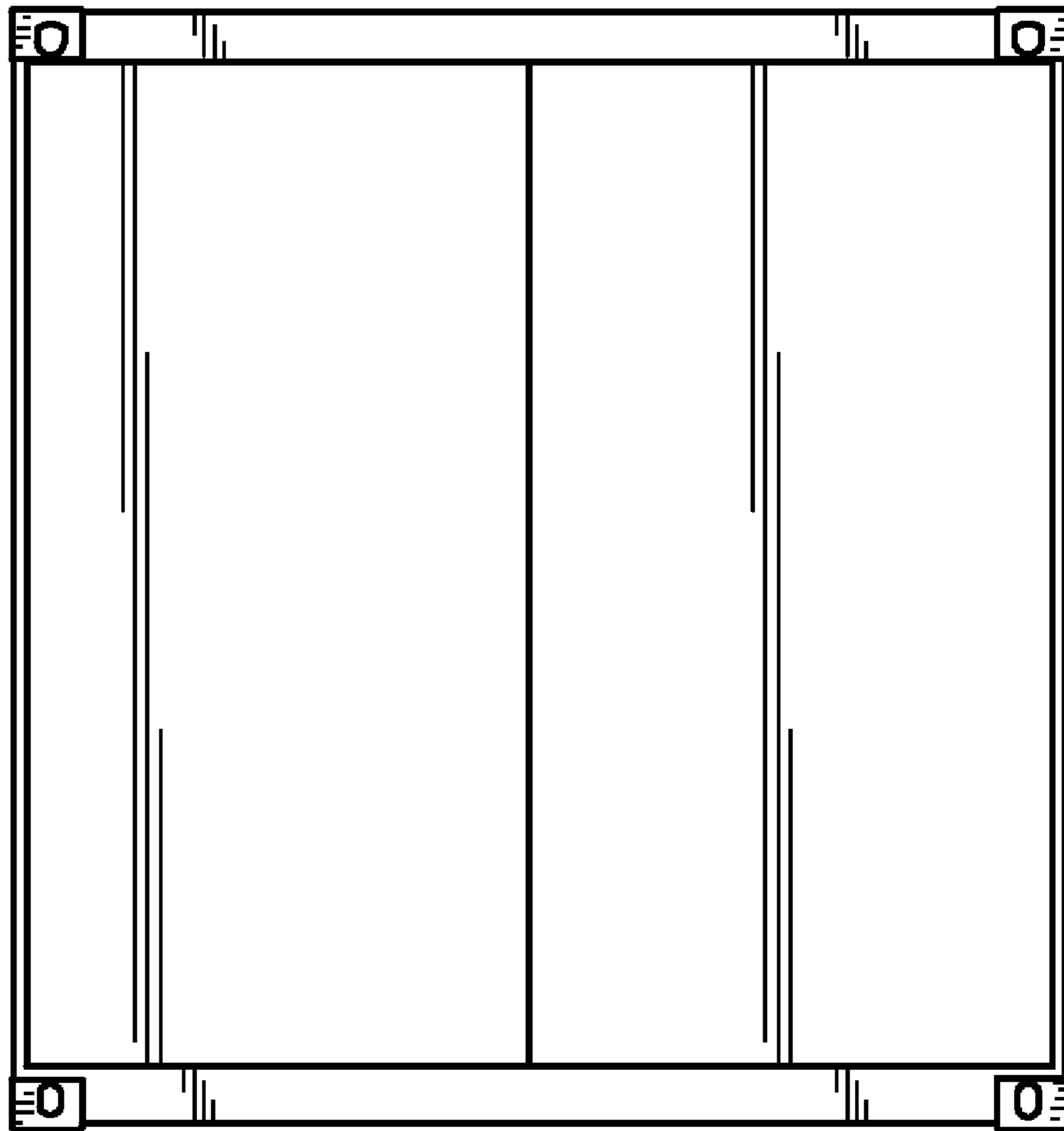


FIG. 3

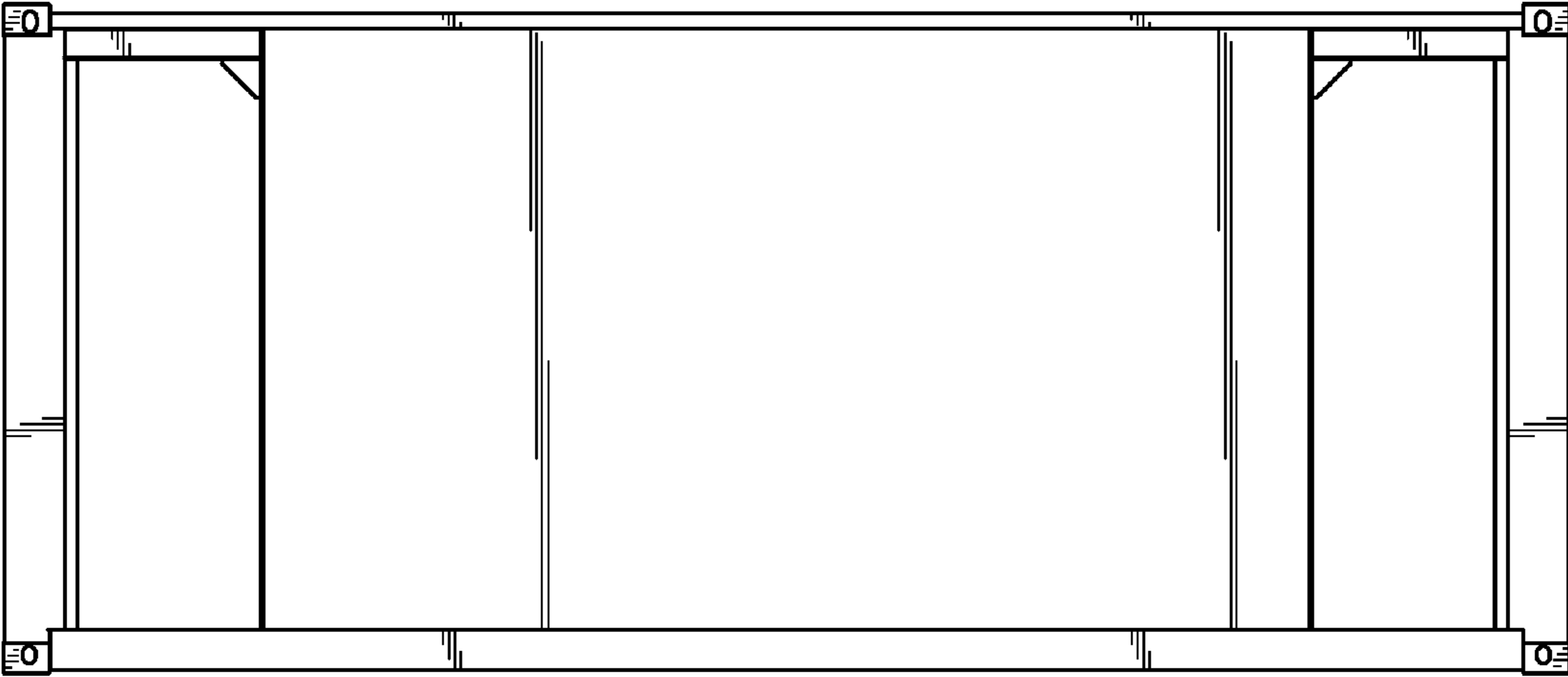


FIG. 4

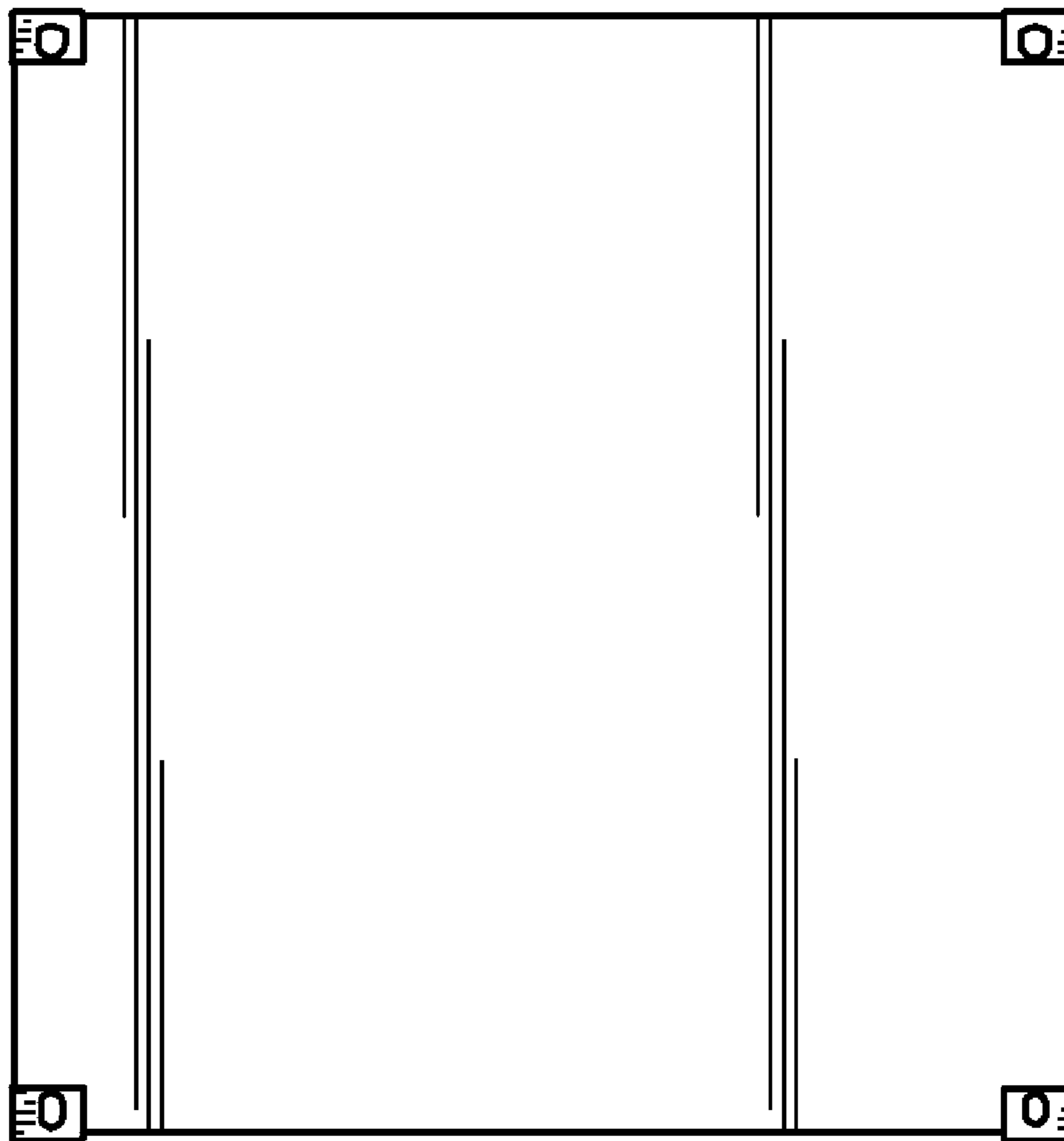


FIG. 5

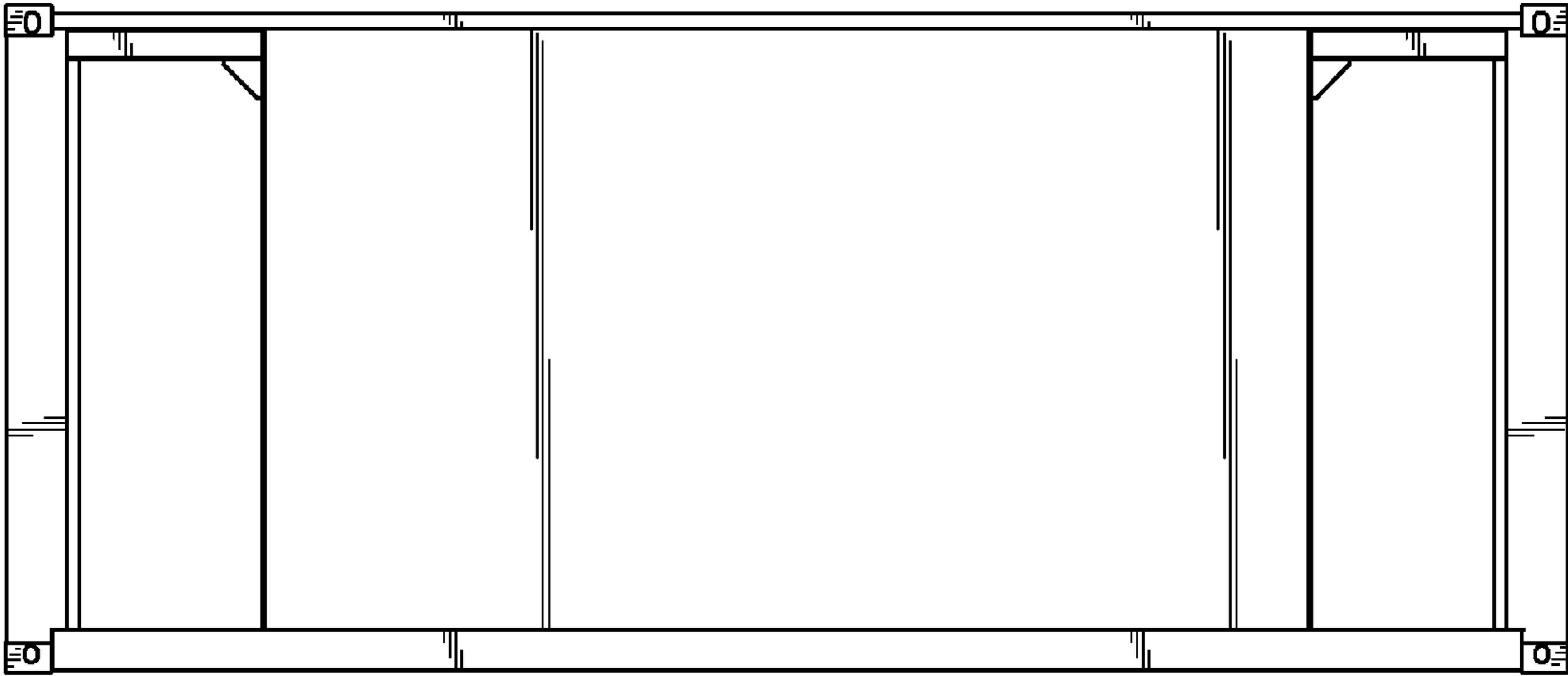


FIG. 6

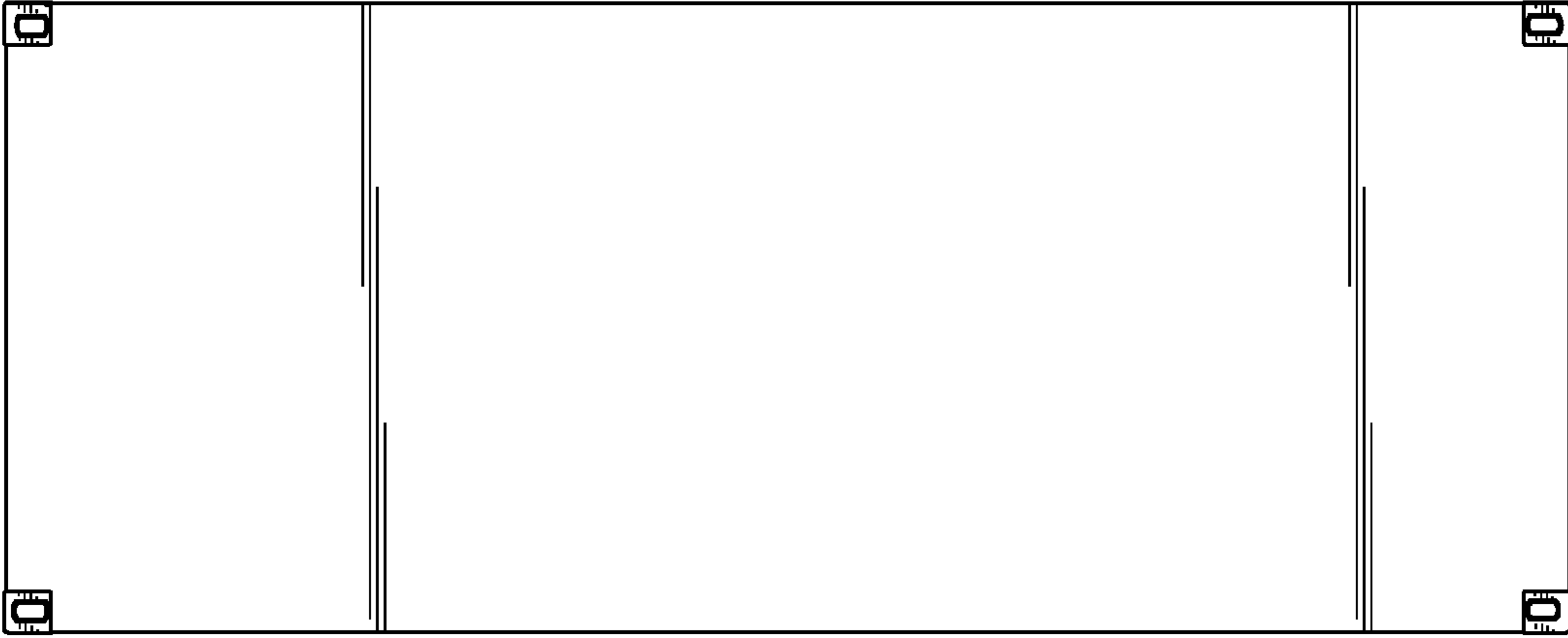


FIG. 7

