



US00D631838S

(12) **United States Design Patent**
Cheng

(10) **Patent No.:** **US D631,838 S**

(45) **Date of Patent:** **** Feb. 1, 2011**

(54) **PORTABLE CHARGER**

(75) Inventor: **Jung-Ching Cheng**, Tu-Cheng (TW)

(73) Assignee: **Cheng Uei Precision Industry Co., Ltd.**, Tu-Cheng, Taipei Hsien (TW)

(**) Term: **14 Years**

(21) Appl. No.: **29/365,826**

(22) Filed: **Jul. 15, 2010**

(51) **LOC (9) Cl.** **13-02**

(52) **U.S. Cl.** **D13/108**

(58) **Field of Classification Search** D13/107-110,
D13/118-119, 184; D14/251, 253, 432,
D14/434, 435.1; 320/107-115

See application file for complete search history.

(56) **References Cited**

U.S. PATENT DOCUMENTS

D369,343 S *	4/1996	Bliven	D13/108
D446,499 S *	8/2001	Andre et al.	D13/110
D454,110 S *	3/2002	Andre et al.	D13/110
D477,824 S *	7/2003	Taniguchi	D14/434
D512,718 S *	12/2005	Mori et al.	D14/434
D529,495 S *	10/2006	Kent et al.	D14/356
D542,221 S *	5/2007	Hriscu et al.	D13/110
D557,206 S *	12/2007	Hussaini et al.	D13/107
7,449,861 B2 *	11/2008	Horigome	320/106

D601,961 S *	10/2009	Mahaffey et al.	D13/123
D612,329 S *	3/2010	Guccione et al.	D13/108
D614,127 S *	4/2010	Kingston et al.	D13/107
D617,268 S *	6/2010	Yen	D13/108

* cited by examiner

Primary Examiner—Rosemary K Tarcza

(74) *Attorney, Agent, or Firm*—Cheng-Ju Chiang

(57) **CLAIM**

The ornamental design for a portable charger, as shown and described.

DESCRIPTION

FIG. 1 is a perspective view of a portable charger showing my new design;

FIG. 2 is a front elevational view thereof;

FIG. 3 is a rear elevational view thereof;

FIG. 4 is a left side elevational view thereof;

FIG. 5 is a right side elevational view thereof;

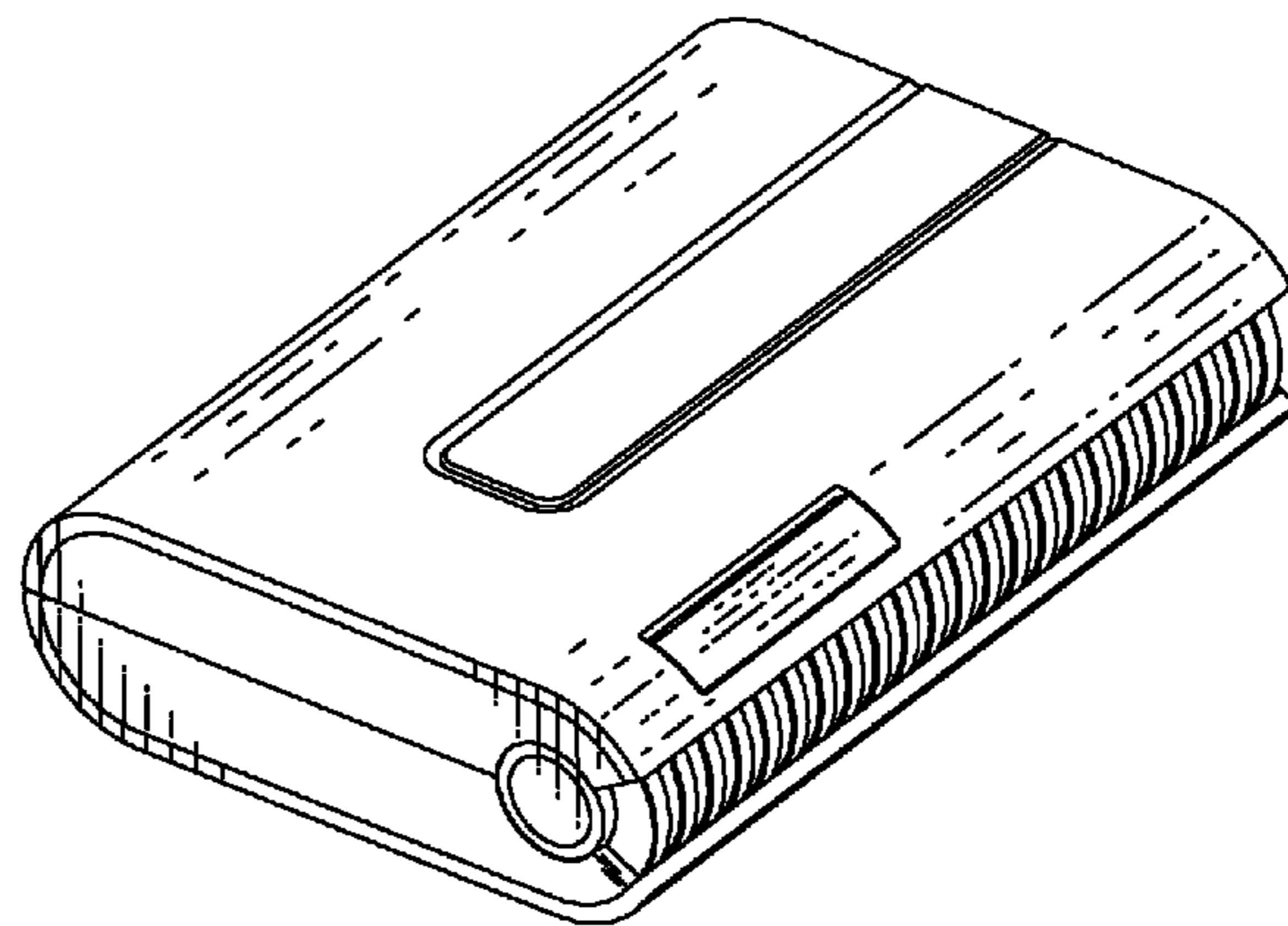
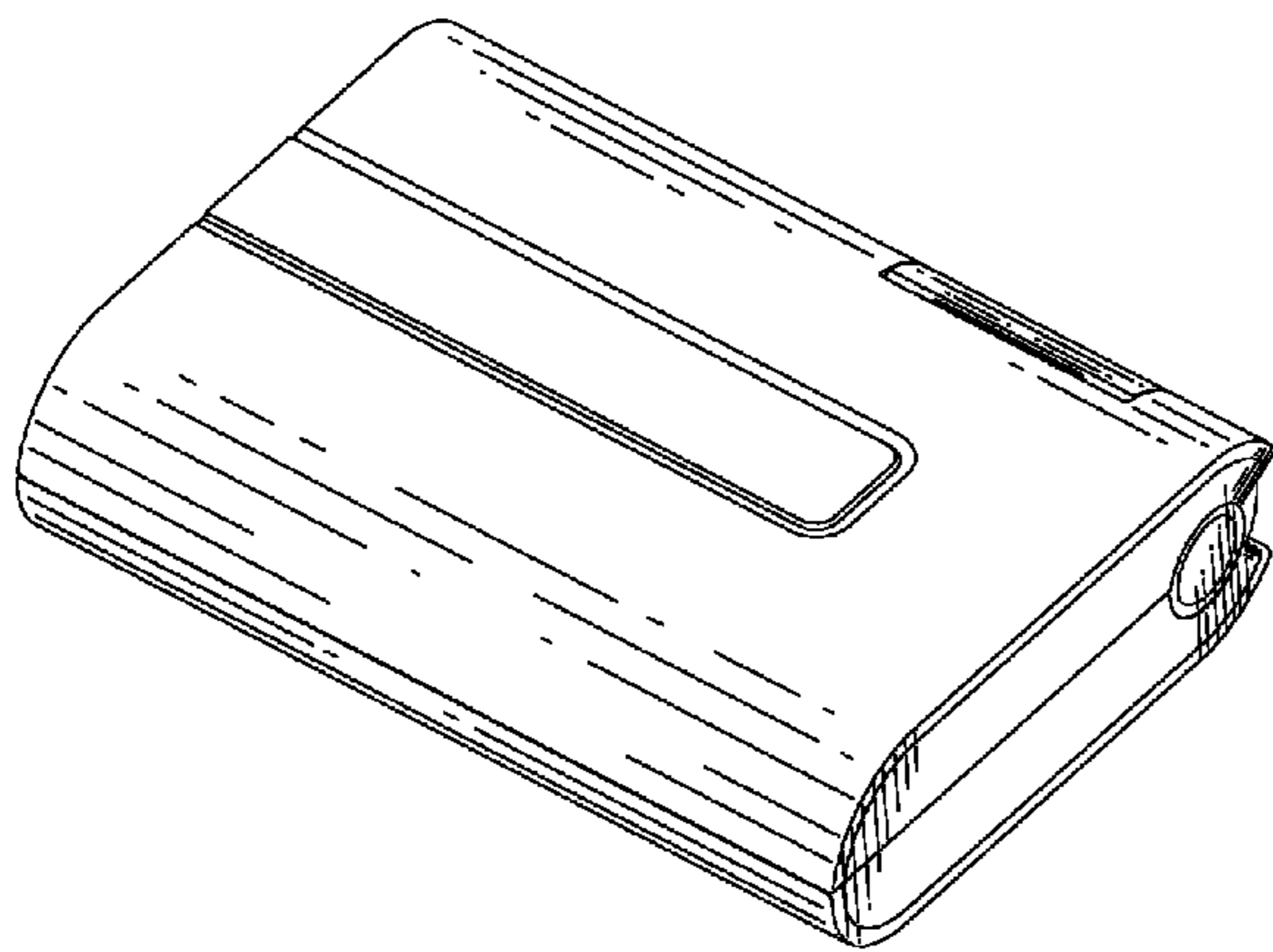
FIG. 6 is a top plan view thereof;

FIG. 7 is a bottom plan view thereof;

FIG. 8 is another perspective view of the portable charger showing my new design; and,

FIG. 9 is a perspective view showing the portable charger in an open position.

1 Claim, 9 Drawing Sheets



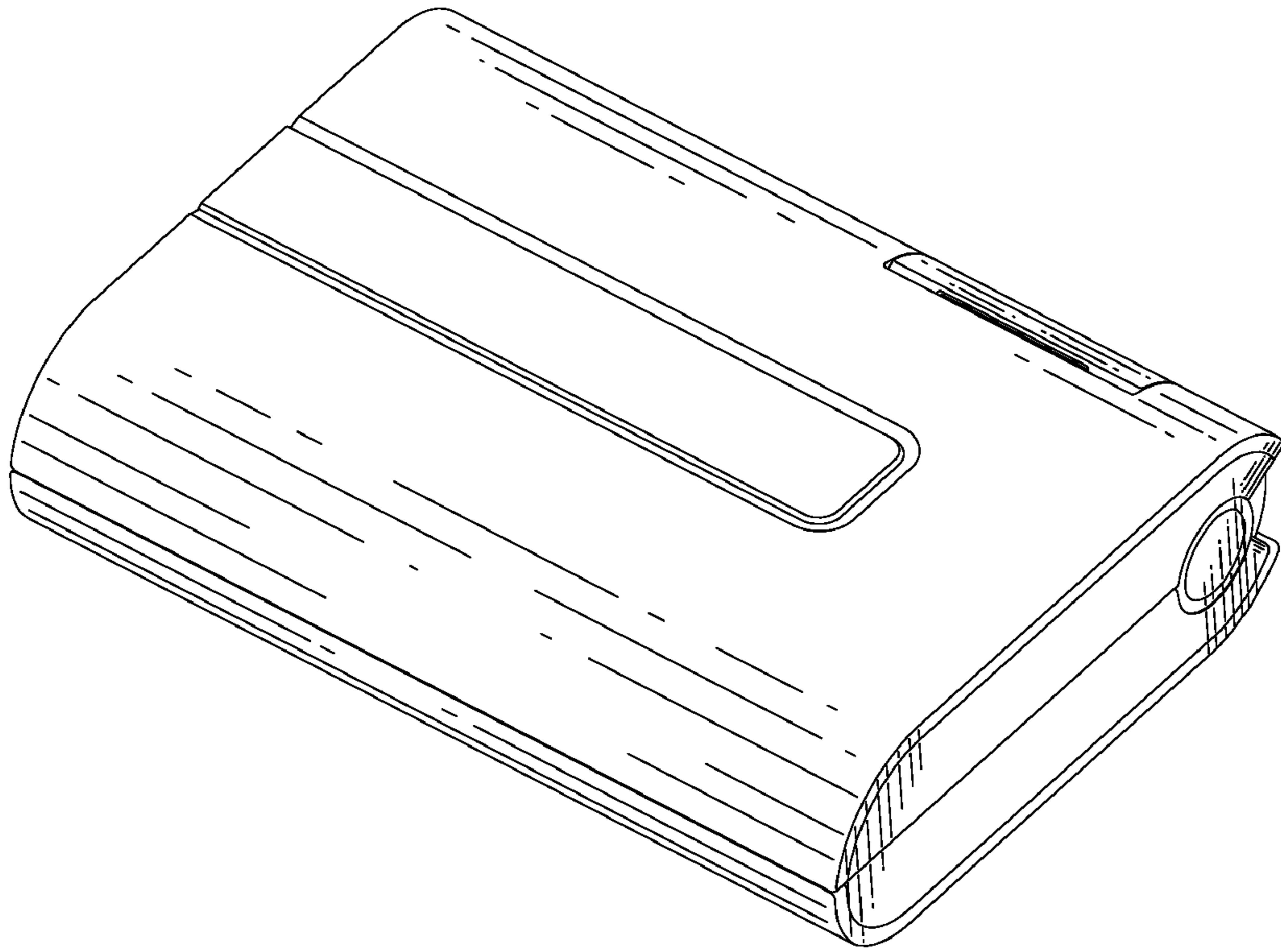


FIG. 1

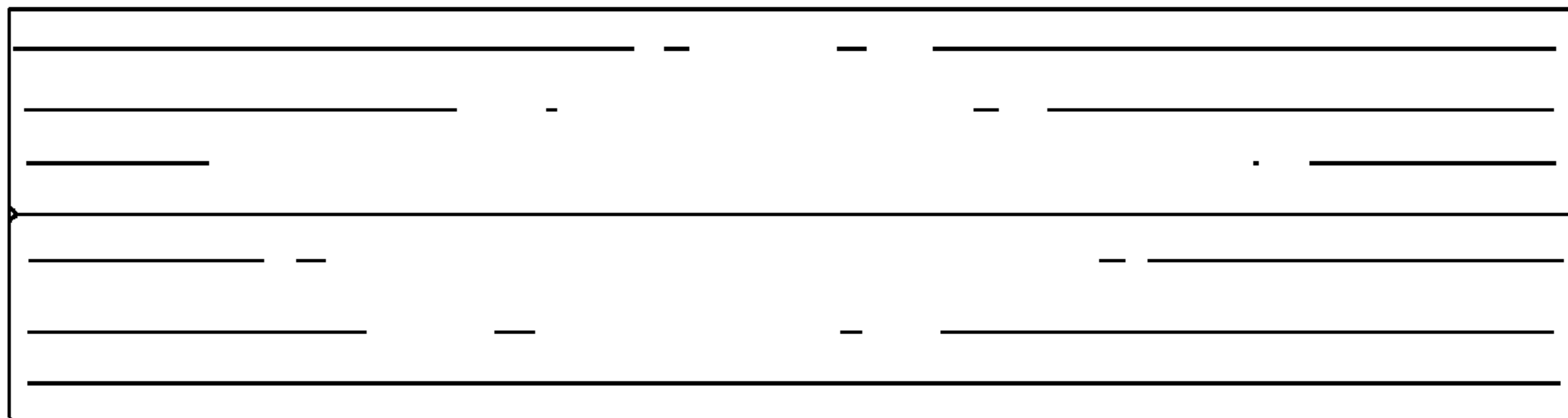


FIG. 2

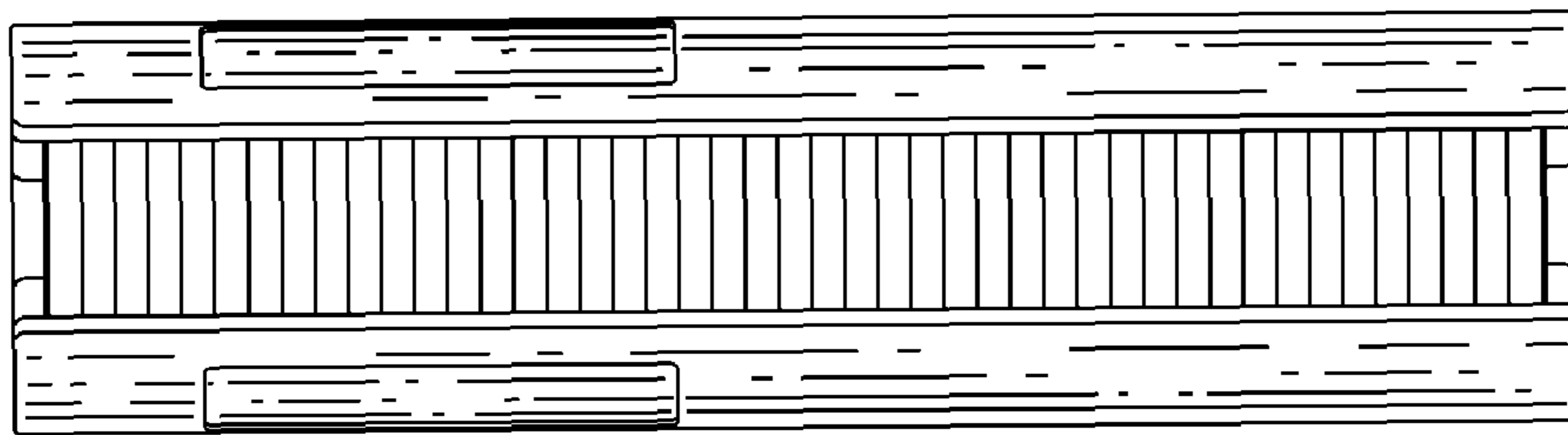


FIG. 3

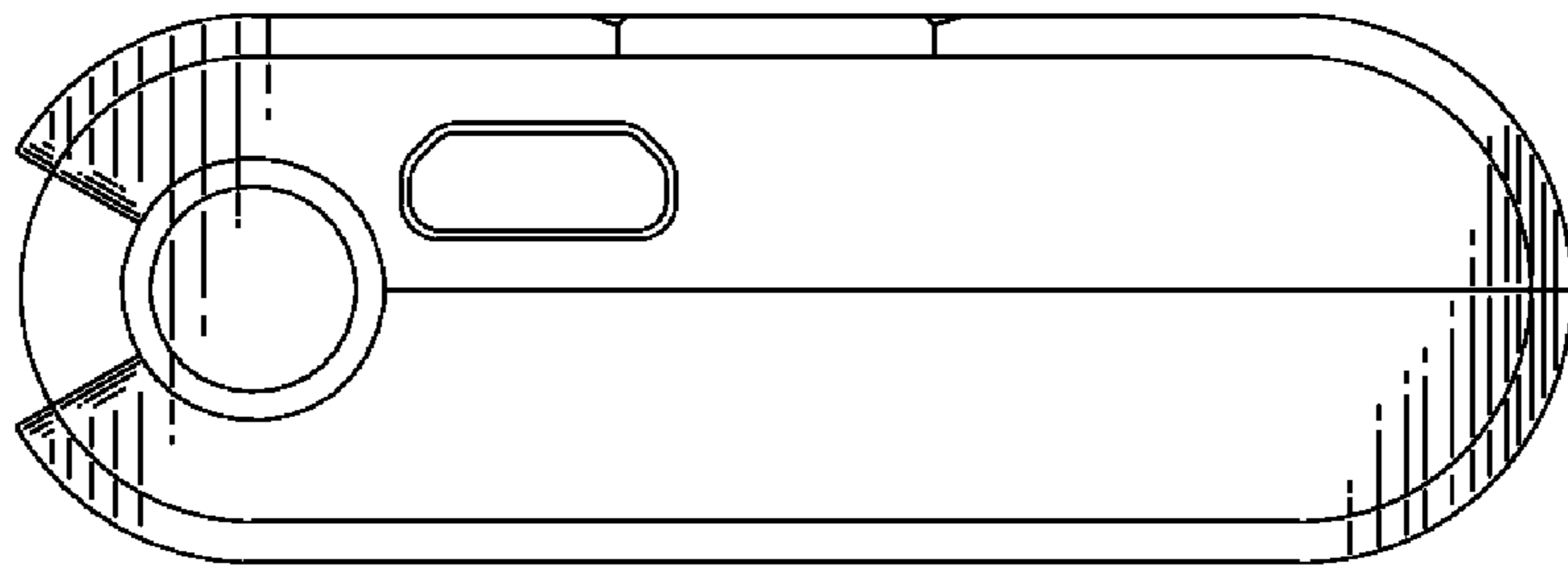


FIG. 4

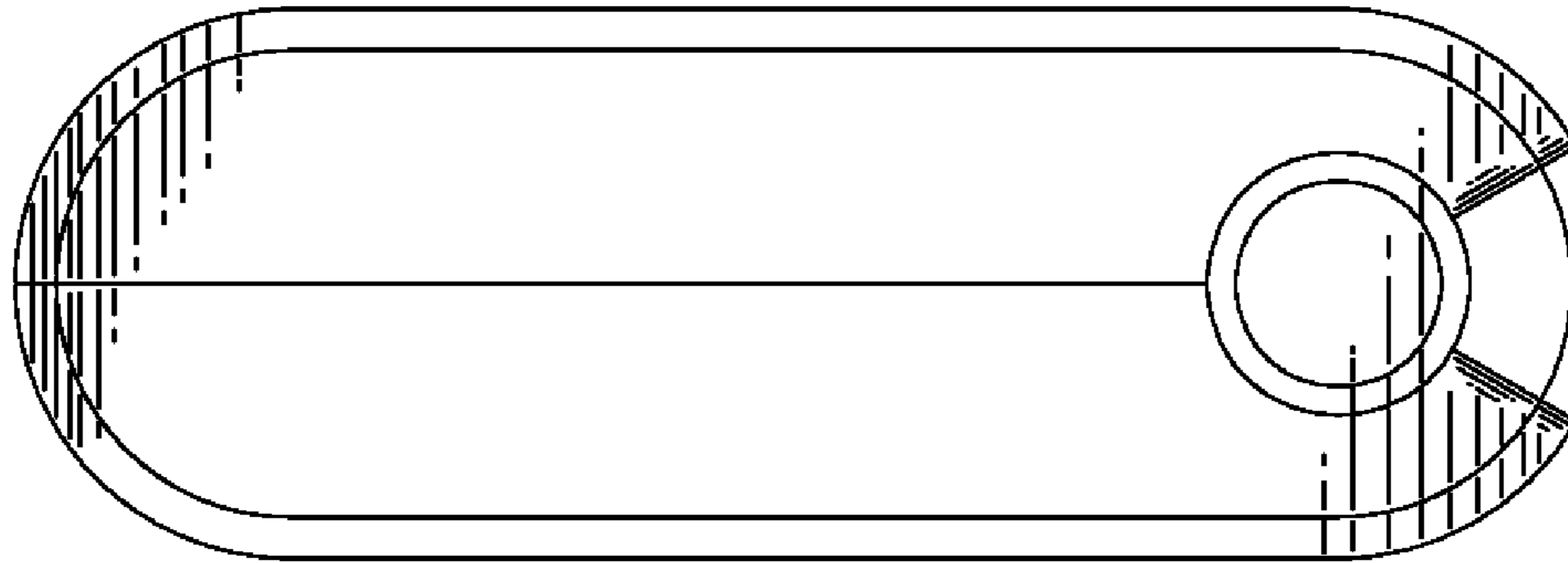


FIG. 5

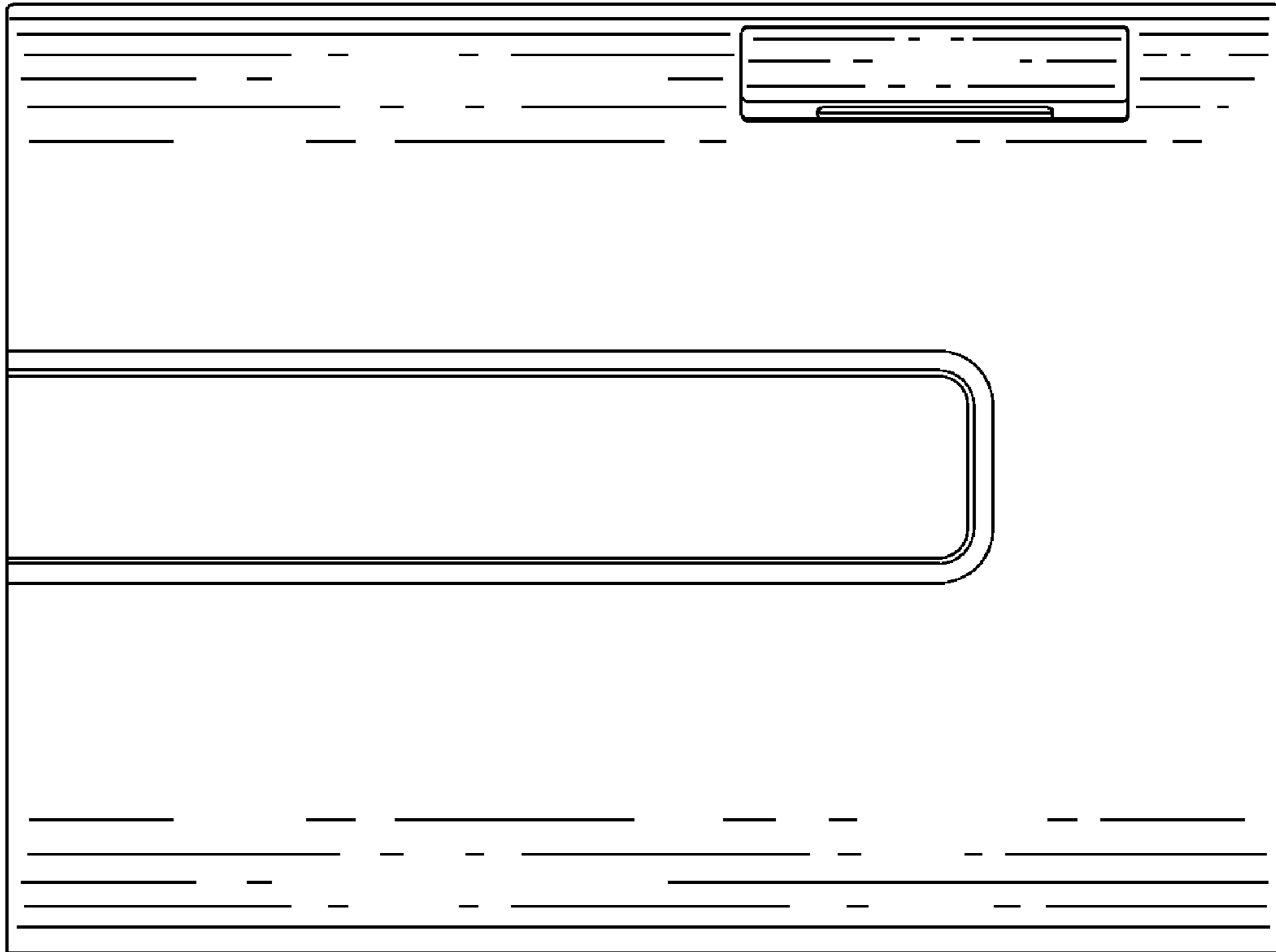


FIG. 6

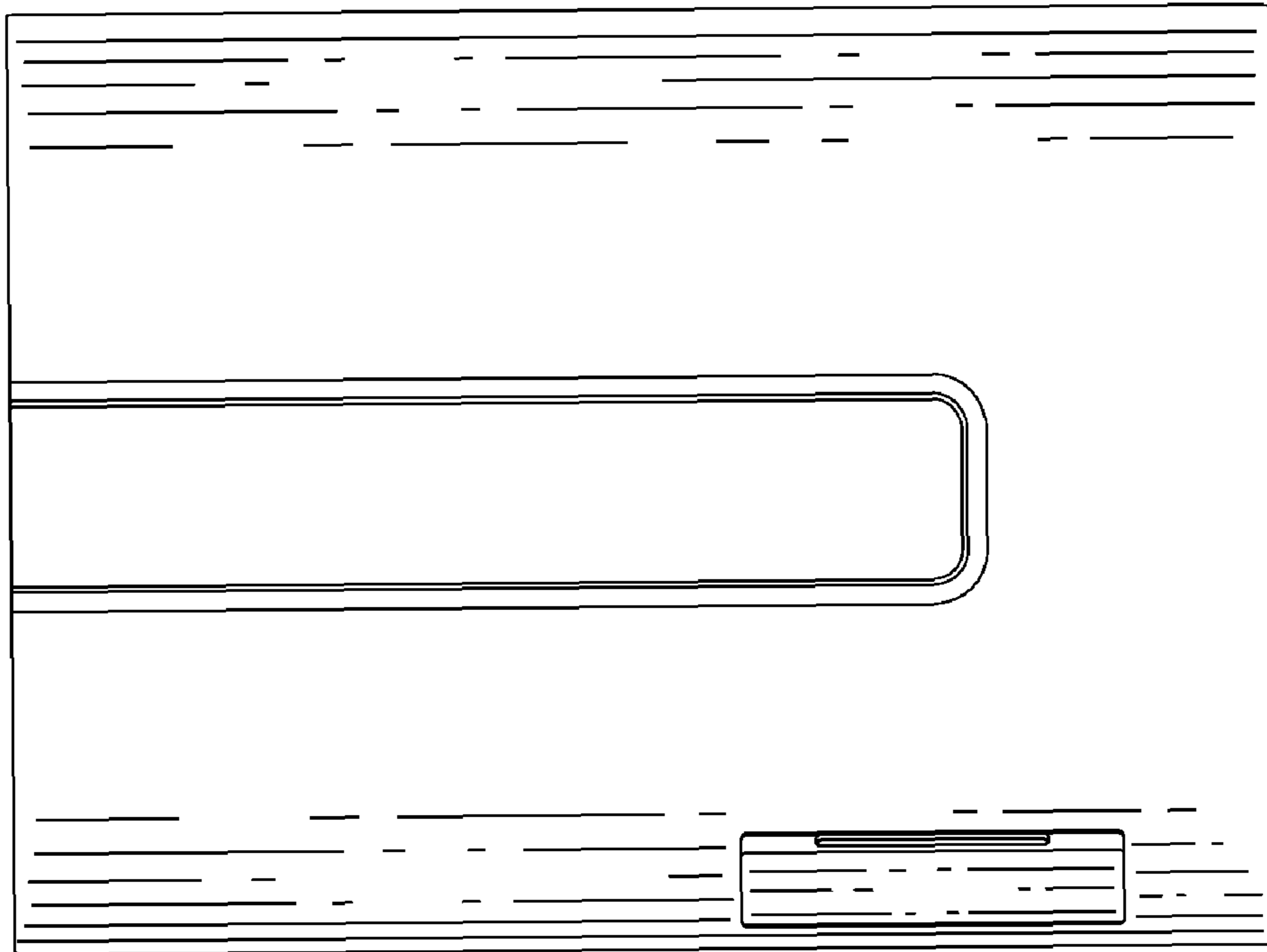


FIG. 7

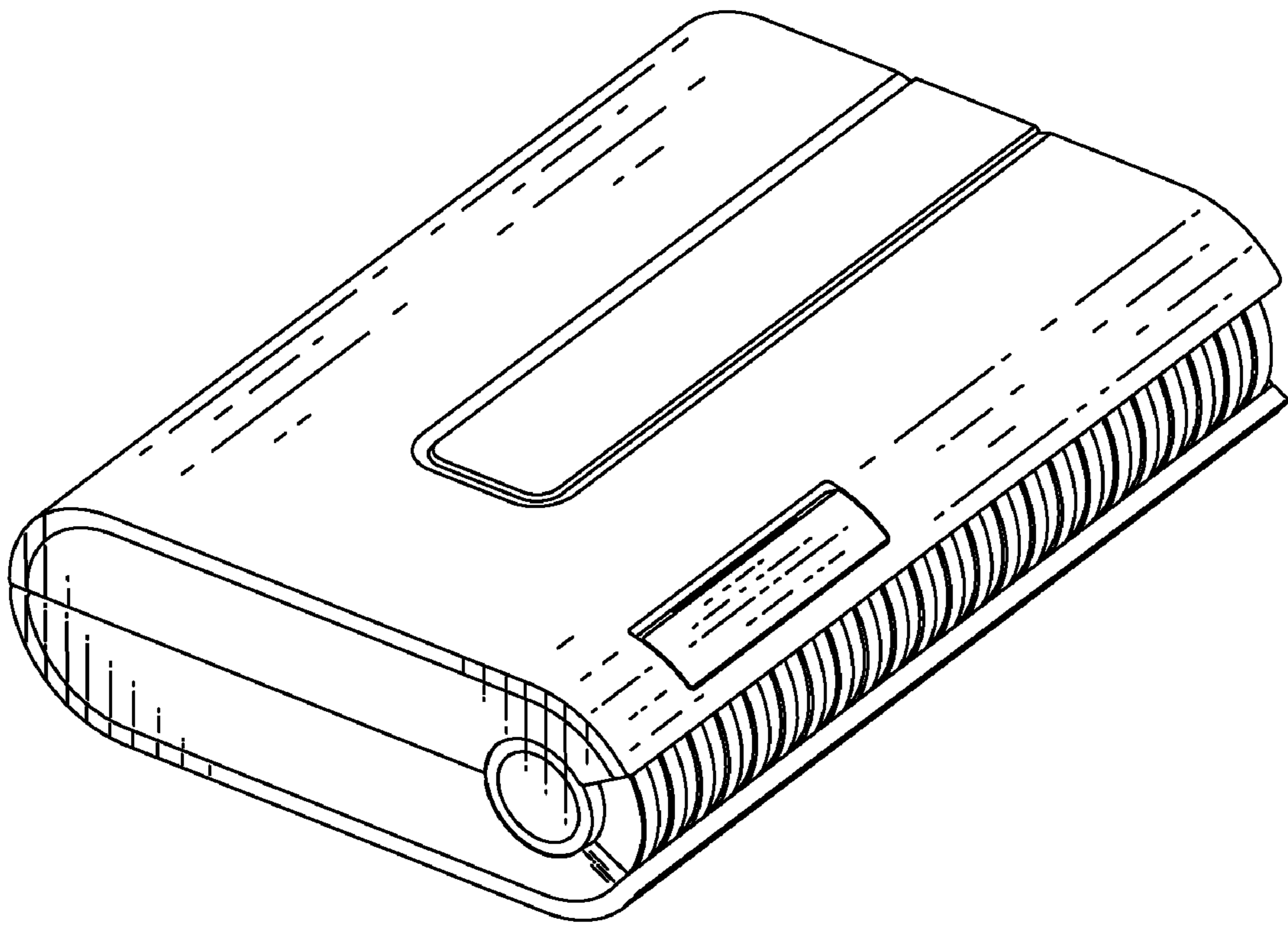


FIG. 8

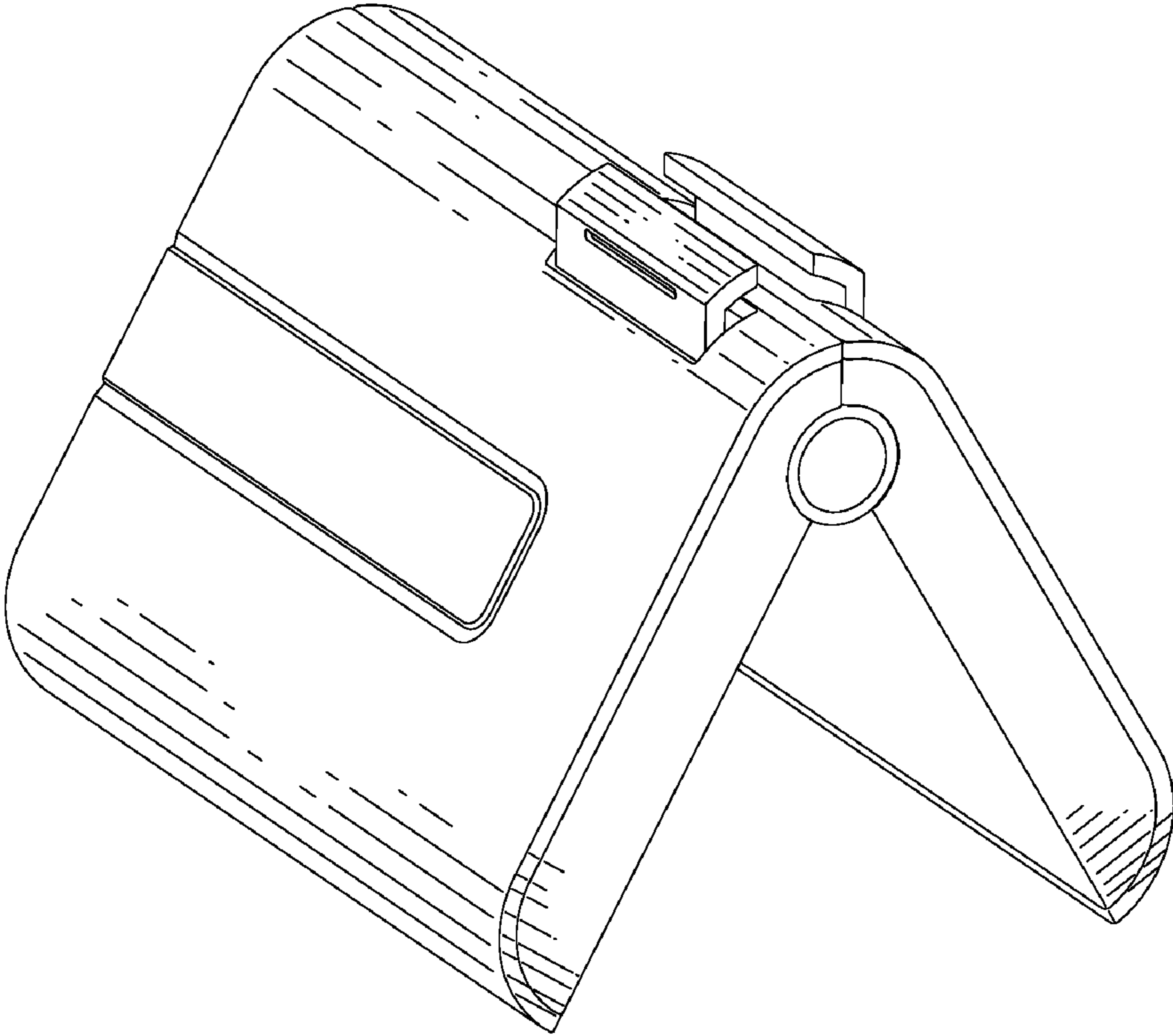


FIG. 9