



US00D631837S

(12) **United States Design Patent**
Smith et al.

(10) **Patent No.:** **US D631,837 S**
(45) **Date of Patent:** **** Feb. 1, 2011**

(54) **AUTOMOBILE CHARGER**

(75) Inventors: **Dustin Jonathan Smith**, Waterloo (CA);
Sergei Streltsov, Kitchener (CA); **Todd Andrew Wood**, Guelph (CA)

(73) Assignee: **Research In Motion Limited**, Waterloo,
Ontario (CA)

(**) Term: **14 Years**

(21) Appl. No.: **29/363,095**

(22) Filed: **Jun. 4, 2010**

(51) **LOC (9) Cl.** **13-02**

(52) **U.S. Cl.** **D13/108; D13/144**

(58) **Field of Classification Search** D13/107–110,
D13/118–119, 133, 144, 184; D14/155,
D14/432, 434, 435.1, 356, 480.1–480.7;
320/107–115; 439/300, 620.01, 638, 668–669,
439/675, 825; 363/146

See application file for complete search history.

(56) **References Cited**

U.S. PATENT DOCUMENTS

D406,261 S *	3/1999	Kettula et al.	D13/144
6,612,875 B1 *	9/2003	Liao	439/675
D525,937 S *	8/2006	Seil et al.	D13/144
D548,719 S *	8/2007	Dayan	D14/155
D554,585 S *	11/2007	Nazar	D13/110
D585,375 S *	1/2009	Andre et al.	D13/133

D604,699 S *	11/2009	Yamamoto	D13/144
D614,137 S *	4/2010	Son et al.	D13/144
D618,618 S *	6/2010	Lee et al.	D13/144
D620,441 S *	7/2010	Hou	D13/144
D621,783 S *	8/2010	Riede	D13/144
D622,218 S *	8/2010	Tseng et al.	D13/144
2009/0315513 A1 *	12/2009	Mkhitarian	320/114

* cited by examiner

Primary Examiner—Rosemary K Tarcza

(57) **CLAIM**

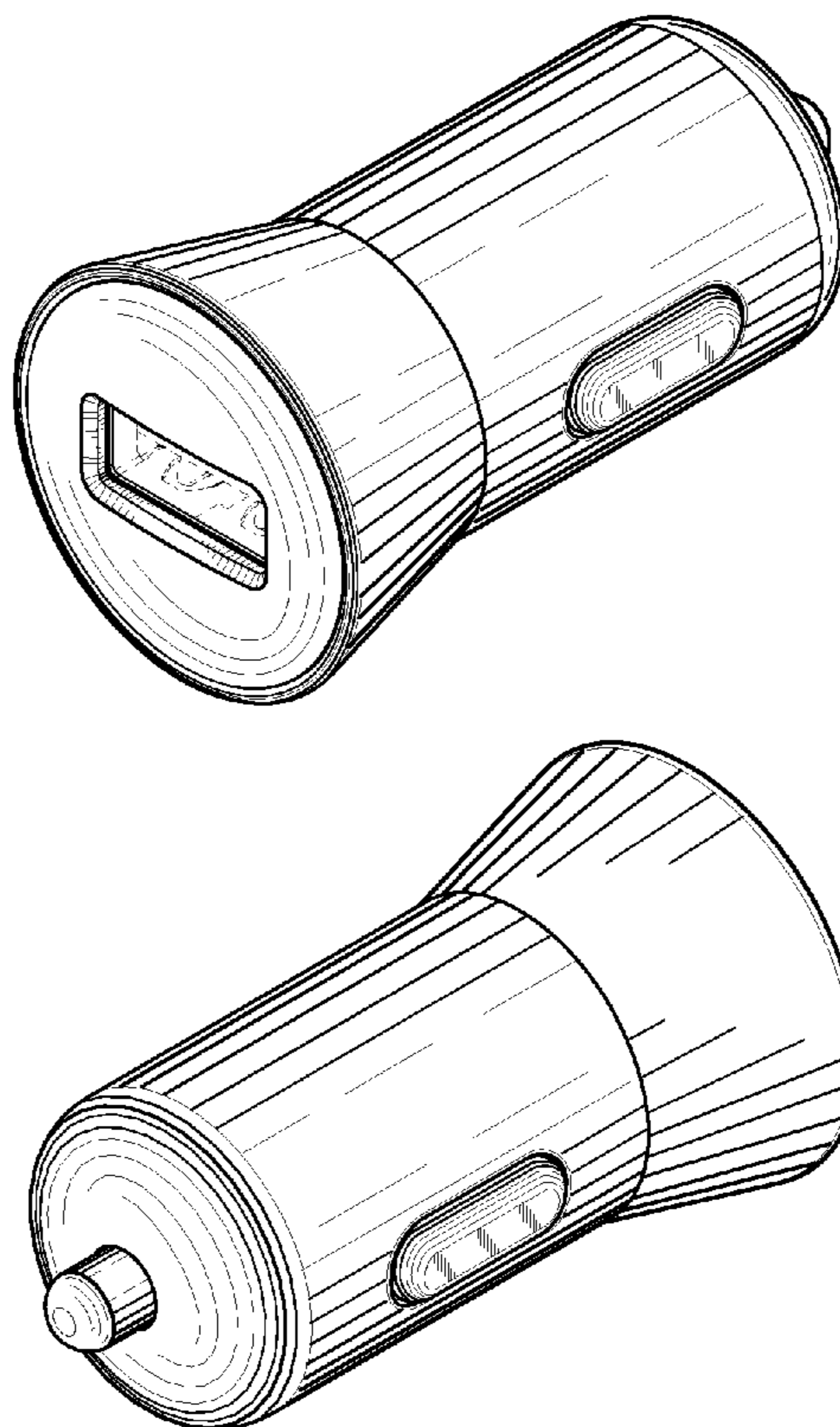
We claim the ornamental design for an automobile charger, as shown and described.

DESCRIPTION

FIG. 1 is a front perspective view of an automobile charger; FIG. 2 is a back perspective view of the automobile charger; FIG. 3 is a front elevation view thereof; FIG. 4 is a back elevation view thereof; FIG. 5 is a top plan view thereof; and FIG. 6 is a bottom plan view thereof. FIG. 7 is a left elevation view thereof; and, FIG. 8 is a right elevation view thereof.

The broken lines shown in the drawings are included for the purpose of illustrating unclaimed portions of the automobile charger and form no part of the claimed design.

1 Claim, 4 Drawing Sheets



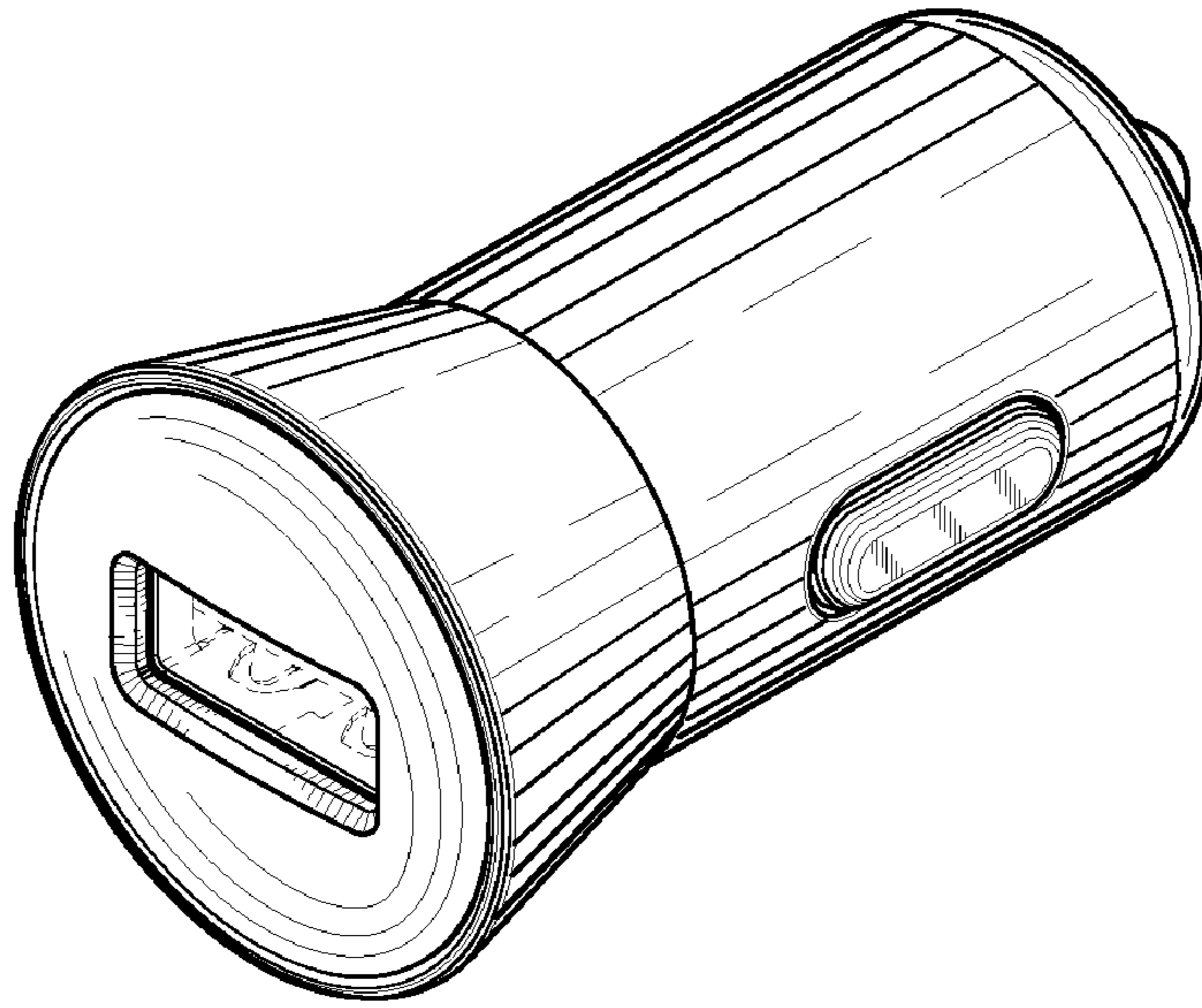


FIG.1

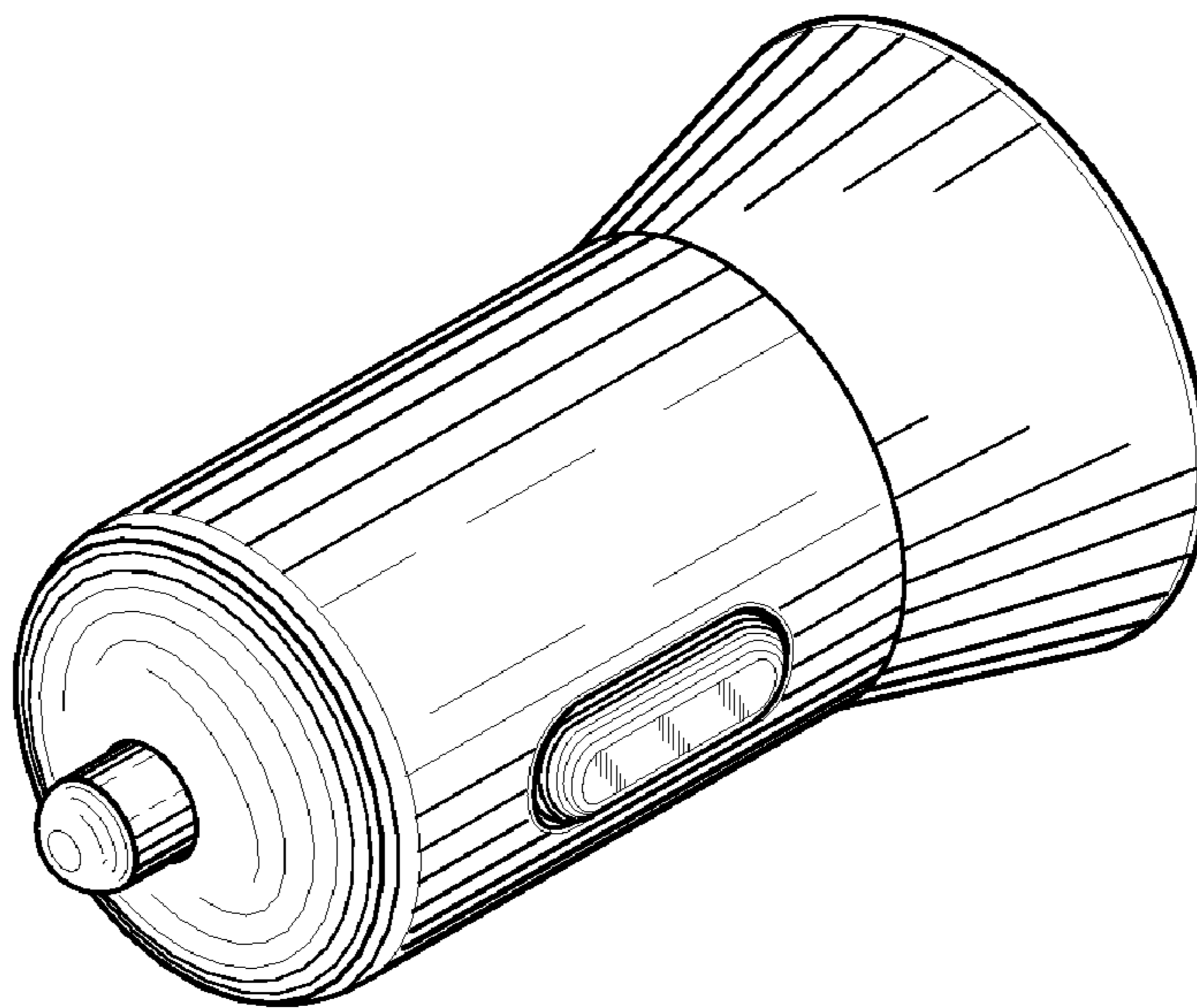


FIG.2

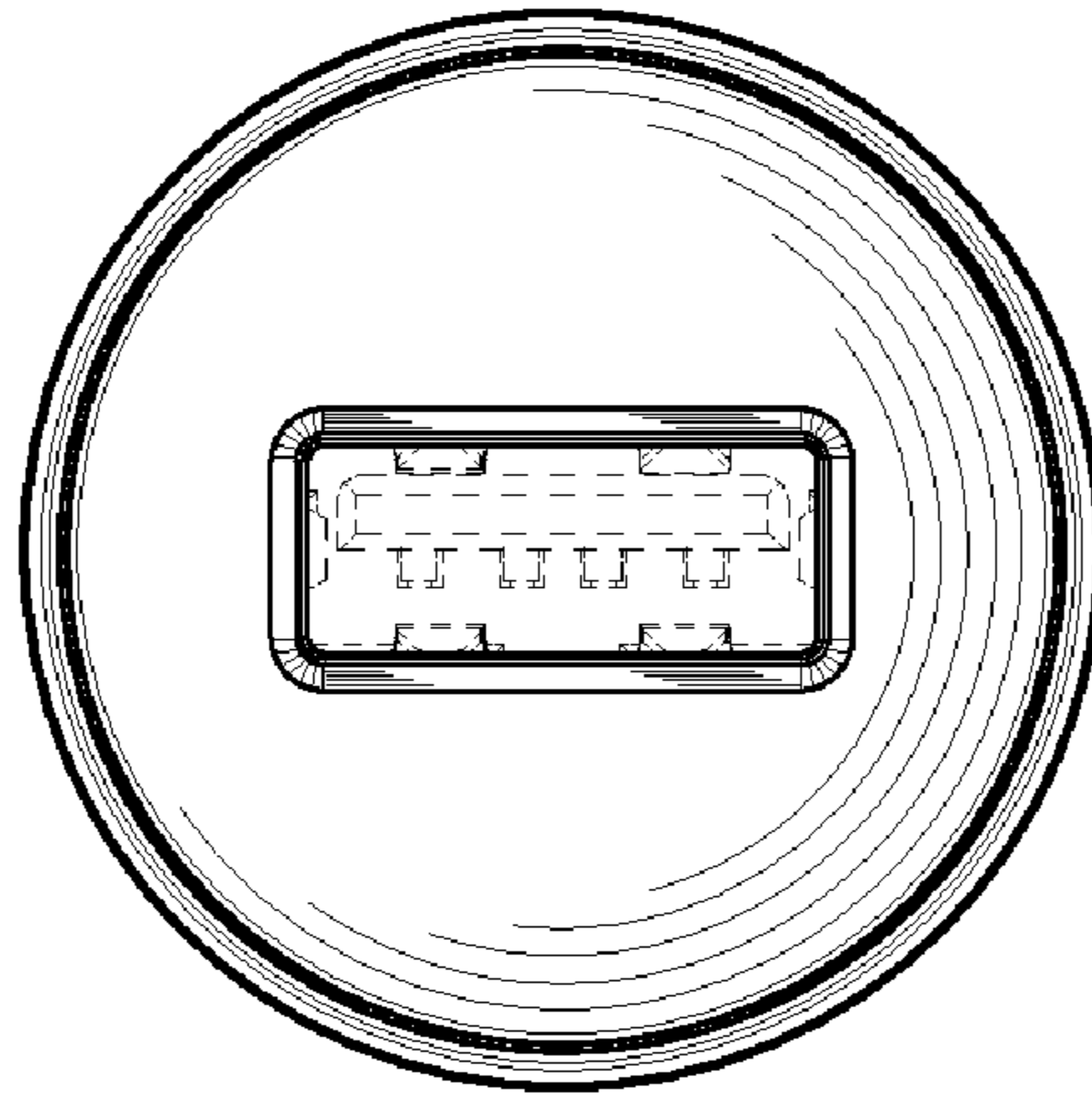


FIG.3

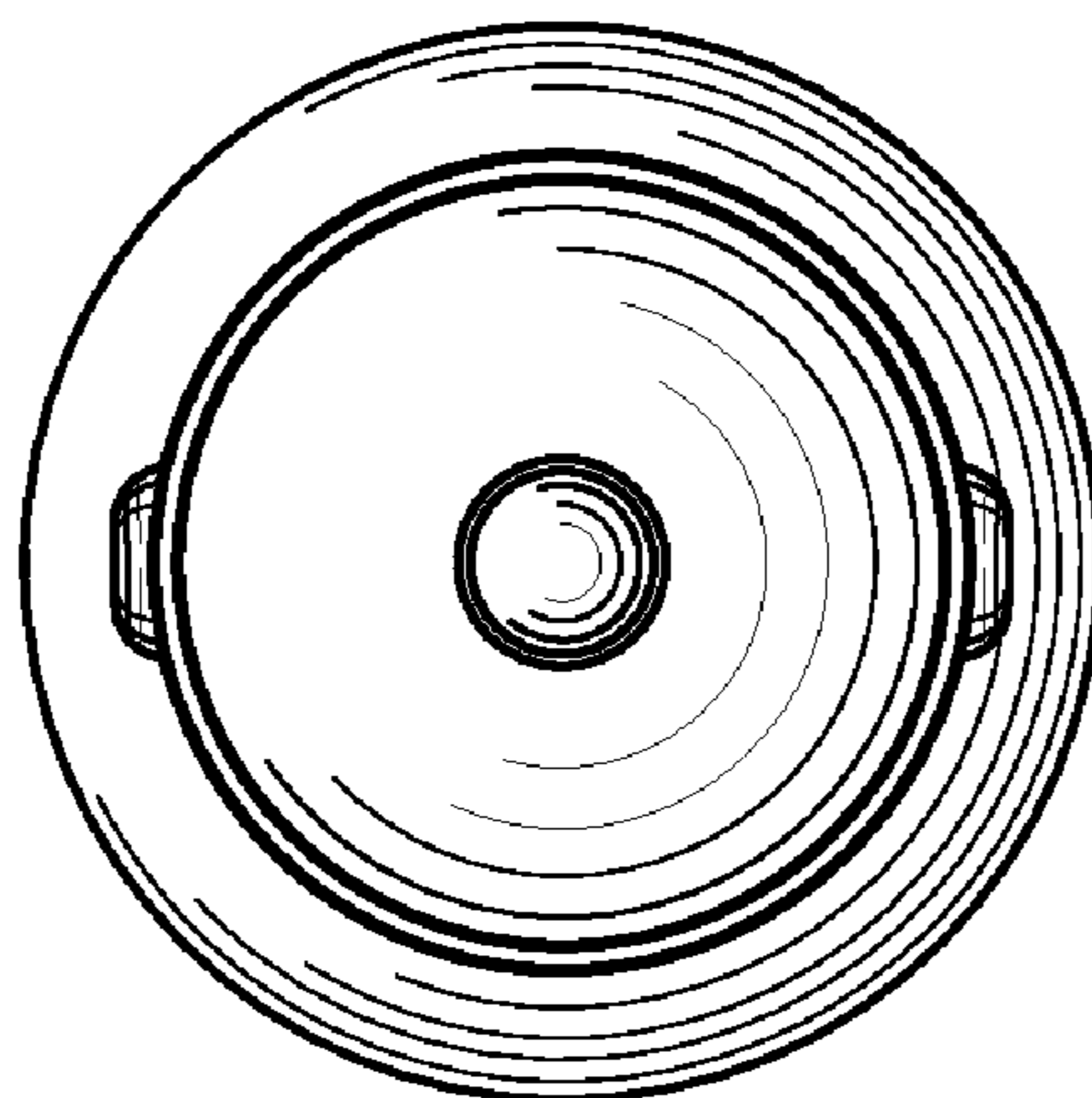


FIG.4

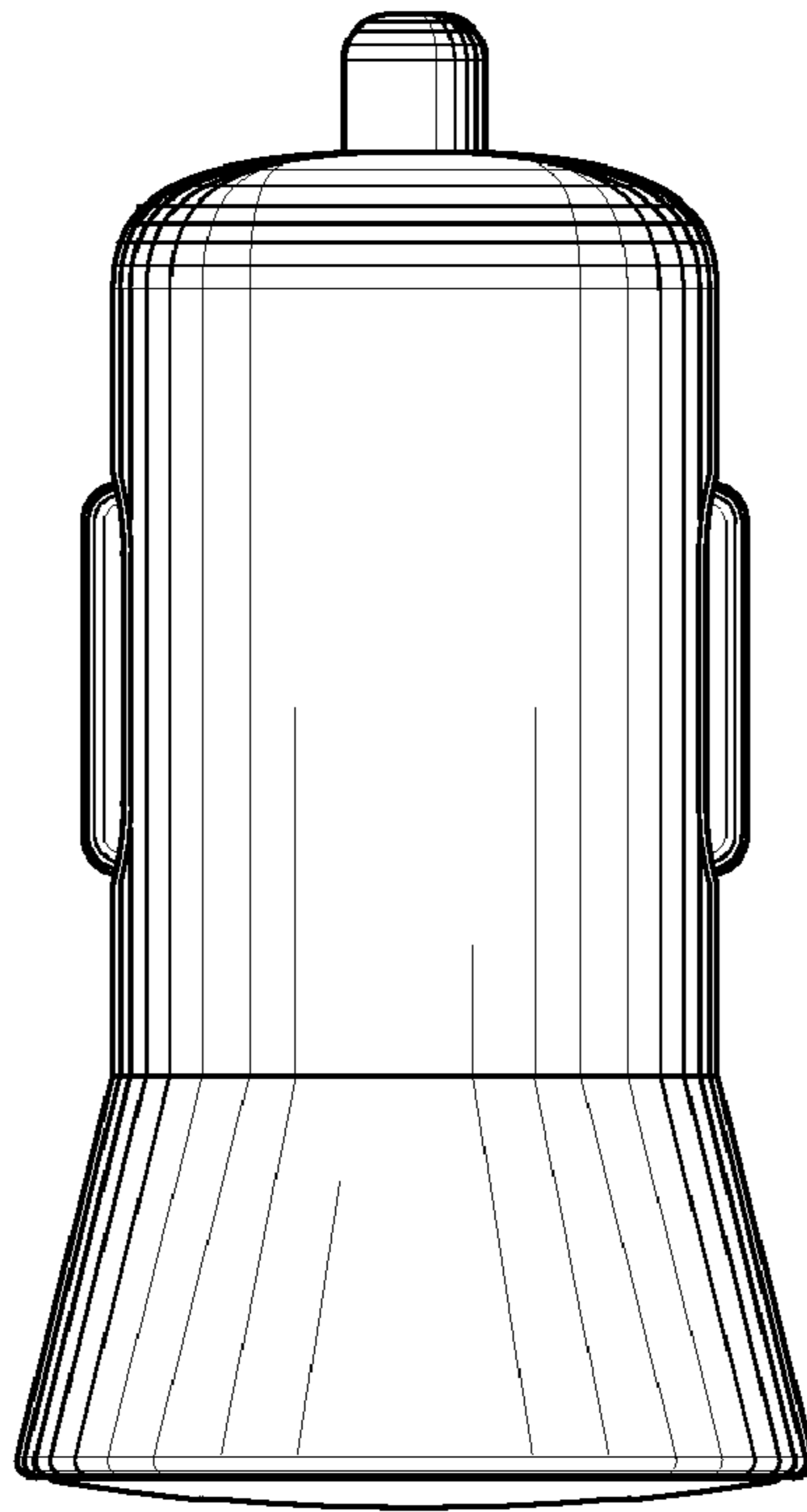


FIG.5

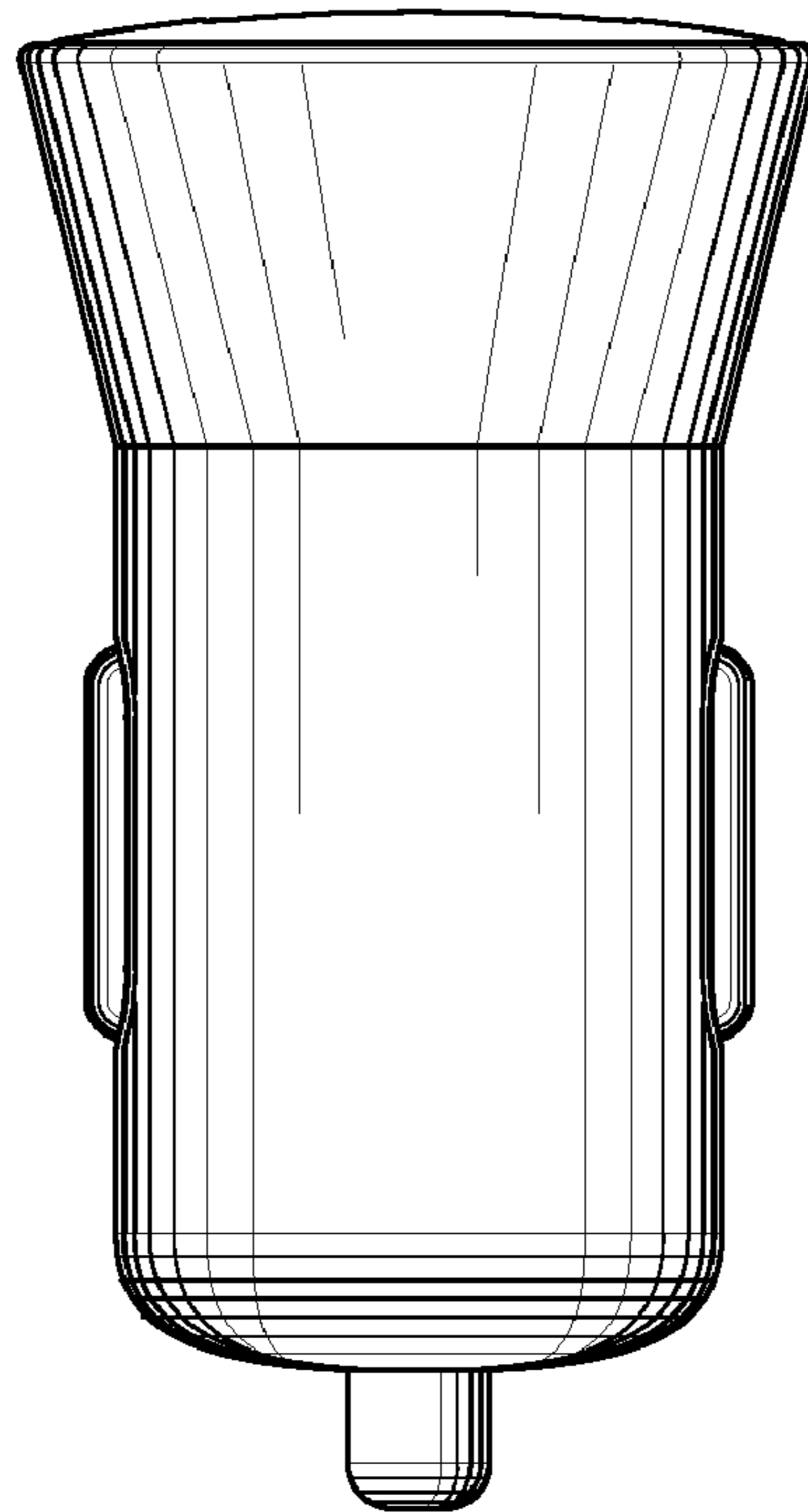


FIG.6

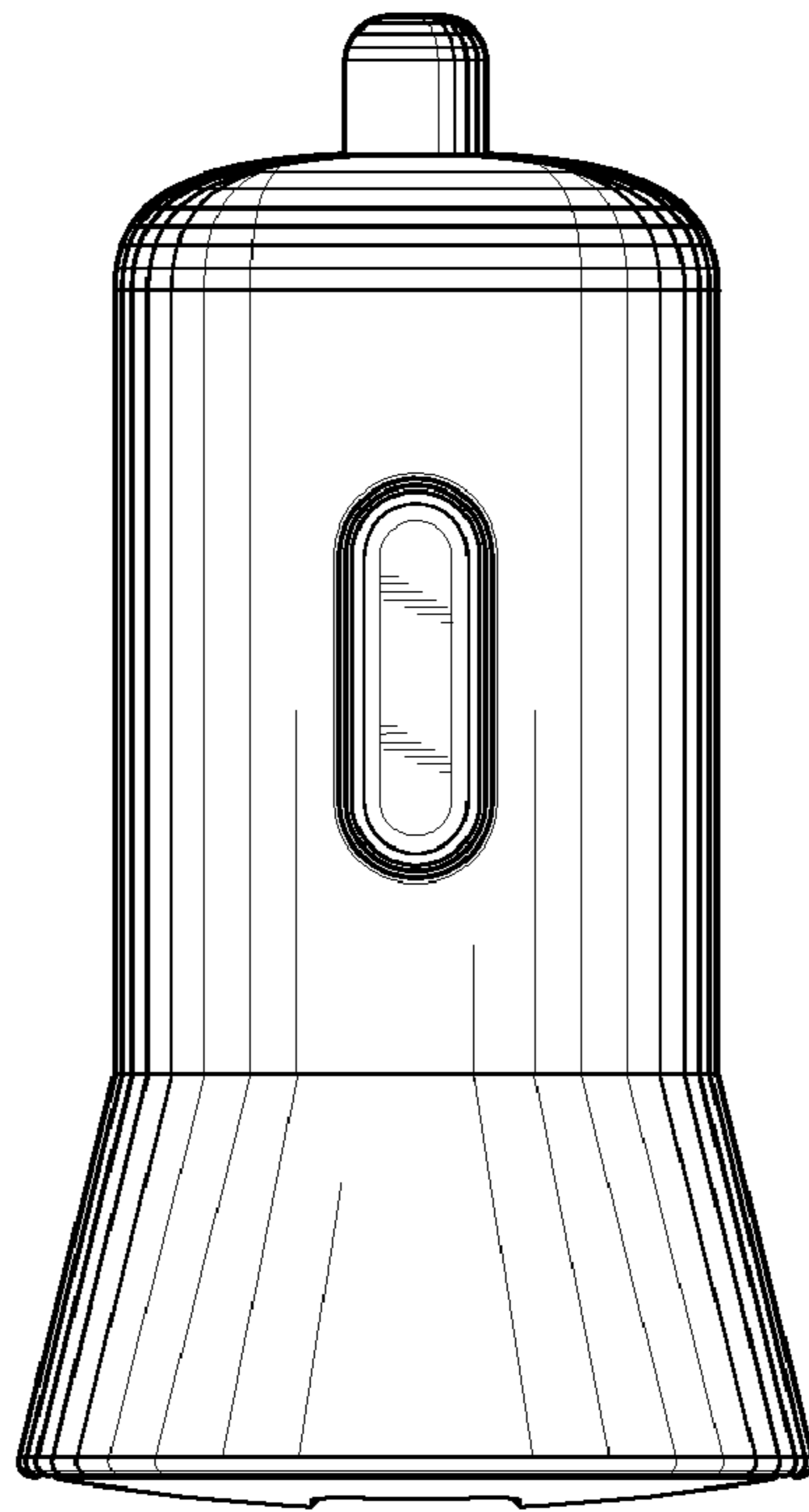


FIG.7

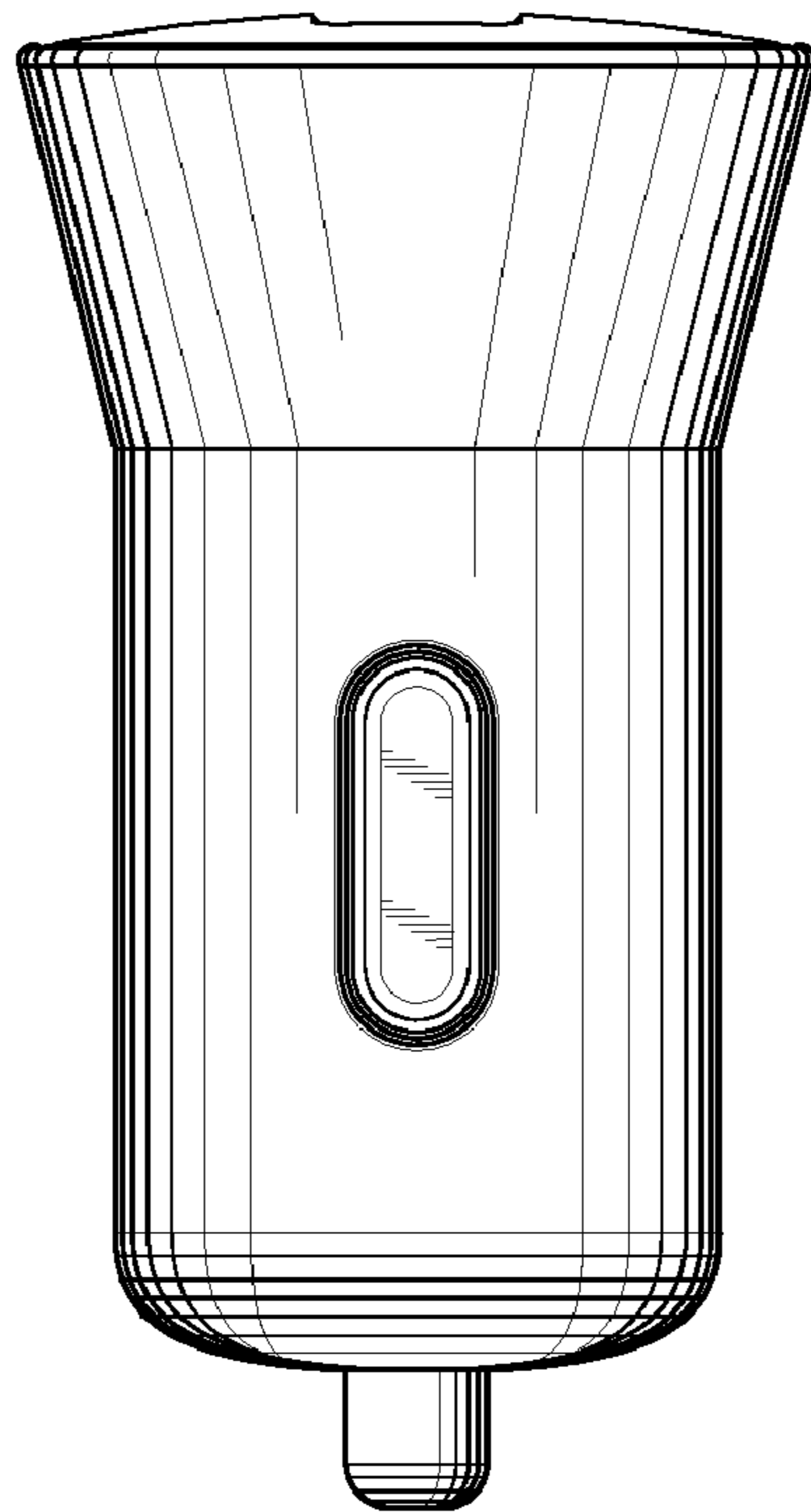


FIG.8