



US00D631833S

(12) **United States Design Patent**  
**Onnerud et al.**

(10) **Patent No.:** **US D631,833 S**

(45) **Date of Patent:** **\*\* \*Feb. 1, 2011**

(54) **BATTERY PACK**

(75) Inventors: **Per Onnerud**, Framingham, MA (US);  
**Christina M. Lampe-Onnerud**,  
Framingham, MA (US)

(73) Assignee: **Boston-Power, Inc.**, Westborough, MA  
(US)

(\*) Notice: This patent is subject to a terminal dis-  
claimer.

(\*\*) Term: **14 Years**

(21) Appl. No.: **29/312,313**

(22) Filed: **Oct. 14, 2008**

(51) **LOC (9) Cl.** ..... **13-02**

(52) **U.S. Cl.** ..... **D13/103**

(58) **Field of Classification Search** ..... D13/102-106,  
D13/110, 118-119, 184; 429/96-100, 163,  
429/176

See application file for complete search history.

(56) **References Cited**

U.S. PATENT DOCUMENTS

1,075,556	A *	10/1913	Fenoughty	.....	429/99
4,151,583	A *	4/1979	Miller	.....	362/205
4,288,733	A *	9/1981	Bilanceri et al.	.....	320/113
4,532,194	A *	7/1985	Liautaud et al.	.....	429/99
4,559,588	A	12/1985	Engelson et al.		
D283,812	S *	5/1986	Liautaud et al.	.....	D13/103
D303,373	S *	9/1989	Ching, Jr.	.....	D13/103
D306,851	S *	3/1990	Weimann	.....	D13/103
D307,133	S *	4/1990	Ching, Jr.	.....	D13/103
D307,260	S *	4/1990	Happy et al.	.....	D13/102
5,001,772	A *	3/1991	Holcomb et al.	.....	455/575.1
D334,169	S	3/1993	Antonczak		
5,246,790	A *	9/1993	Mooney et al.	.....	429/7
5,357,411	A	10/1994	Menke et al.		
D372,701	S *	8/1996	Tahmassebpur	.....	D13/103
D388,060	S *	12/1997	Tanaka et al.	.....	D13/103
D390,187	S *	2/1998	Urvoy	.....	D13/103
5,736,271	A *	4/1998	Cisar et al.	.....	429/96

5,736,272	A *	4/1998	Veenstra et al.	.....	429/99
5,804,332	A	9/1998	Shimizu et al.		
D406,258	S *	3/1999	Segers	.....	D13/103
D409,975	S *	5/1999	Zeller	.....	D13/103
5,907,227	A	5/1999	Domei et al.		

(Continued)

OTHER PUBLICATIONS

TechRepublic Photo Gallery blog, Author Unknown, titled "Boston-Power's 'Sonata' battery". Dated Jan. 30, 2007 (Part 1 of 2) (2 pages). ([http://techrepublic.com.com/2346-10877\\_11-42504-1.html](http://techrepublic.com.com/2346-10877_11-42504-1.html)).\*

(Continued)

*Primary Examiner*—Rosemary K Tarca

(74) *Attorney, Agent, or Firm*—Hamilton, Brook, Smith & Reynolds, P.C.

(57) **CLAIM**

The ornamental design for a battery pack, as shown and described.

**DESCRIPTION**

FIG. 1 is a perspective view of a battery pack showing our new design.

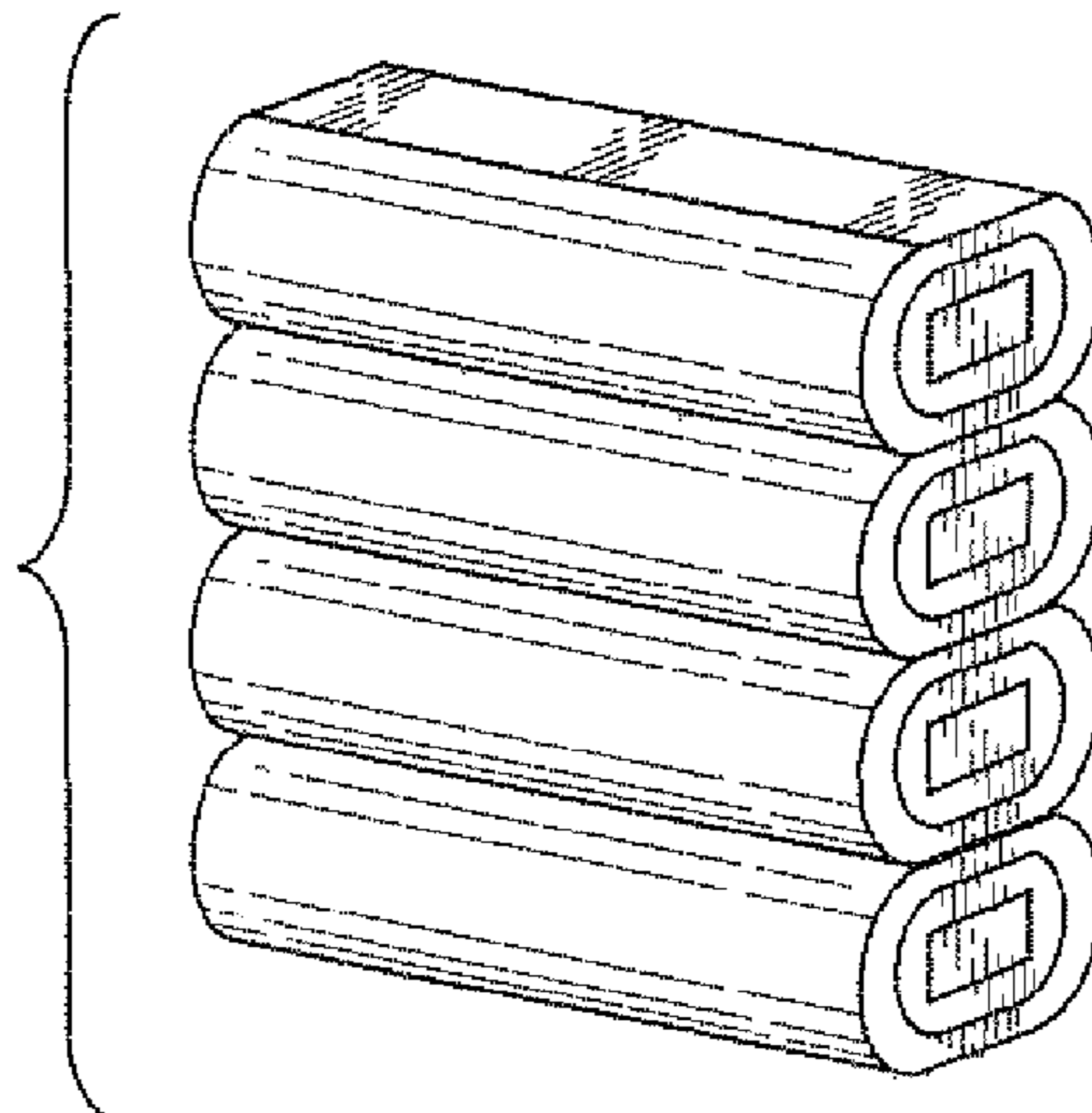
FIG. 2 is a top plan view of FIG. 1, with the bottom plan view being identical.

FIG. 3 is a side elevational view of FIG. 1, with the other side view being identical; and,

FIG. 4 is a front elevational view of FIG. 1, with the rear view being identical.

The article is a battery pack. The battery pack is a combination of individual batteries arranged as shown. The claim is directed to the collective appearance of the individual batteries in the combination shown.

**1 Claim, 1 Drawing Sheet**



US D631,833 S

U.S. PATENT DOCUMENTS

5,928,809 A \* 7/1999 Ju ..... 429/100  
5,958,618 A \* 9/1999 Sullivan ..... 429/99  
5,962,159 A \* 10/1999 Satou et al. .... 429/99  
D424,513 S \* 5/2000 Birkestrand ..... D13/103  
D424,933 S \* 5/2000 Albright et al. .... D9/423  
D425,417 S \* 5/2000 Gaffney et al. .... D9/423  
6,120,932 A \* 9/2000 Slipy et al. .... 429/99  
6,218,042 B1 \* 4/2001 Naudet et al. .... 429/97  
6,224,997 B1 \* 5/2001 Papadopoulos ..... 429/99  
D445,758 S \* 7/2001 Killebrew et al. .... D13/103  
6,283,611 B1 9/2001 Sharrah et al.  
6,303,248 B1 \* 10/2001 Peterson ..... 429/177  
6,334,697 B1 1/2002 Gappelberg et al.  
D454,110 S \* 3/2002 Andre et al. .... D13/110  
D457,133 S \* 5/2002 Yoneyama ..... D13/103  
D461,163 S \* 8/2002 Hirano et al. .... D13/103  
6,433,498 B1 8/2002 Domei et al.  
6,447,949 B2 \* 9/2002 Iwata et al. .... 429/185  
6,558,835 B1 \* 5/2003 Kurisu et al. .... 429/159  
6,636,732 B1 \* 10/2003 Boling et al. .... 455/404.1  
D481,557 S 11/2003 Harris  
D488,027 S 4/2004 Lin  
D491,888 S \* 6/2004 Lee ..... D13/103  
D504,349 S 4/2005 Shagalov  
6,930,697 B2 8/2005 Tanaka  
6,942,359 B2 9/2005 Furth et al.  
D510,721 S 10/2005 Axelrod  
7,033,695 B2 4/2006 Sawachi  
D524,728 S 7/2006 Watson  
D528,974 S 9/2006 Tang  
7,105,247 B2 \* 9/2006 Suzuki ..... 429/96  
D529,437 S 10/2006 Miyashita  
D529,709 S 10/2006 Swartz et al.  
D532,363 S 11/2006 Morisawa  
D535,195 S 1/2007 Schwab  
D537,034 S \* 2/2007 Kang et al. .... D13/103  
7,176,655 B2 \* 2/2007 Kogan et al. .... 320/112  
D538,222 S \* 3/2007 Curello et al. .... D13/103  
D543,867 S 6/2007 Yourist  
D545,759 S 7/2007 Ino et al.  
D547,264 S \* 7/2007 Kondo ..... D13/103  
D548,684 S \* 8/2007 Eto et al. .... D13/103  
7,270,576 B2 \* 9/2007 Kim et al. .... 439/627  
7,278,753 B2 10/2007 Uke  
7,304,453 B2 \* 12/2007 Eaves ..... 320/120  
7,360,269 B2 4/2008 Cobabe et al.  
7,390,590 B2 6/2008 Wani et al.  
D576,100 S \* 9/2008 Wang ..... D13/110  
D586,739 S \* 2/2009 Zarembo et al. .... D13/103  
D586,740 S \* 2/2009 Song ..... D13/103  
D586,741 S \* 2/2009 Song ..... D13/103  
7,510,537 B2 3/2009 Imboden et al.

7,510,797 B2 \* 3/2009 Aker et al. .... 429/120  
D597,936 S \* 8/2009 Walsh et al. .... D13/103  
7,614,107 B2 11/2009 Cobabe et al.  
2002/0022159 A1 \* 2/2002 Pierson et al. .... 429/1  
2003/0003350 A1 \* 1/2003 Heimer et al. .... 429/99  
2003/0006733 A1 1/2003 Abe  
2003/0044677 A1 \* 3/2003 Naruoka ..... 429/161  
2003/0129487 A1 \* 7/2003 Inoue et al. .... 429/176  
2004/0155951 A1 8/2004 Tanaka  
2004/0191614 A1 \* 9/2004 Iwasaki et al. .... 429/96  
2004/0219422 A1 \* 11/2004 Hauck et al. .... 429/96  
2004/0241539 A1 \* 12/2004 Katayama ..... 429/97  
2005/0058891 A1 \* 3/2005 Marraffa ..... 429/99  
2005/0122715 A1 6/2005 Furth et al.  
2005/0144744 A1 7/2005 Thiess et al.  
2005/0150067 A1 7/2005 Cobabe et al.  
2005/0191544 A1 \* 9/2005 Casanova ..... 429/100  
2006/0007721 A1 \* 1/2006 Rodriguez et al. .... 363/146  
2006/0024566 A1 \* 2/2006 Plummer ..... 429/100  
2006/0034073 A1 2/2006 Uke  
2006/0076923 A1 \* 4/2006 Eaves ..... 320/112  
2006/0091849 A1 \* 5/2006 Huynh et al. .... 320/112  
2006/0119317 A1 \* 6/2006 Kogan et al. .... 320/112  
2006/0176689 A1 \* 8/2006 Dowdy et al. .... 362/188  
2006/0291198 A1 \* 12/2006 Dalton et al. .... 362/191  
2007/0002559 A1 \* 1/2007 Uke ..... 362/157  
2007/0019402 A1 \* 1/2007 Dalton et al. .... 362/157  
2007/0034258 A1 2/2007 Parsons et al.  
2007/0126397 A1 \* 6/2007 Kogan et al. .... 320/112  
2007/0133197 A1 \* 6/2007 Shiau ..... 362/157  
2007/0210745 A1 \* 9/2007 Dingeldein ..... 320/112  
2007/0231680 A1 10/2007 Satoh et al.  
2007/0264536 A1 \* 11/2007 Mizoguchi ..... 429/9  
2008/0096521 A1 \* 4/2008 Boling et al. .... 455/404.2  
2008/0124618 A1 \* 5/2008 Shimoyama ..... 429/99  
2008/0182162 A1 \* 7/2008 Kim ..... 429/99  
2008/0211309 A1 \* 9/2008 Nolte ..... 307/66  
2008/0305387 A1 \* 12/2008 Murray et al. .... 429/100  
2009/0111015 A1 \* 4/2009 Wood et al. .... 429/164  
2009/0148754 A1 \* 6/2009 Marchio et al. .... 429/83  
2009/0207595 A1 \* 8/2009 Sharrah et al. .... 362/158  
2010/0017978 A1 1/2010 Cobabe et al.

OTHER PUBLICATIONS

TechRepublic Photo Gallery blog, Author Unknown, titled "Boston-Power's 'Sonata' battery". Dated Jan. 30, 2007 (Part 2 of 2) (2 pages). ([http://techrepublic.com/2346-10877\\_11-42504-2.html](http://techrepublic.com/2346-10877_11-42504-2.html)).\*

Engadget.com article by Donald Melanson, Boston-Power unveils long-lasting "Sonata" laptop battery. Dated Jan. 30, 2007. (5 pages) (<http://www.engadget.com/2007/01/30/boston-power-unveils-long-lasting-sonata-laptop-battery/>).\*

\* cited by examiner

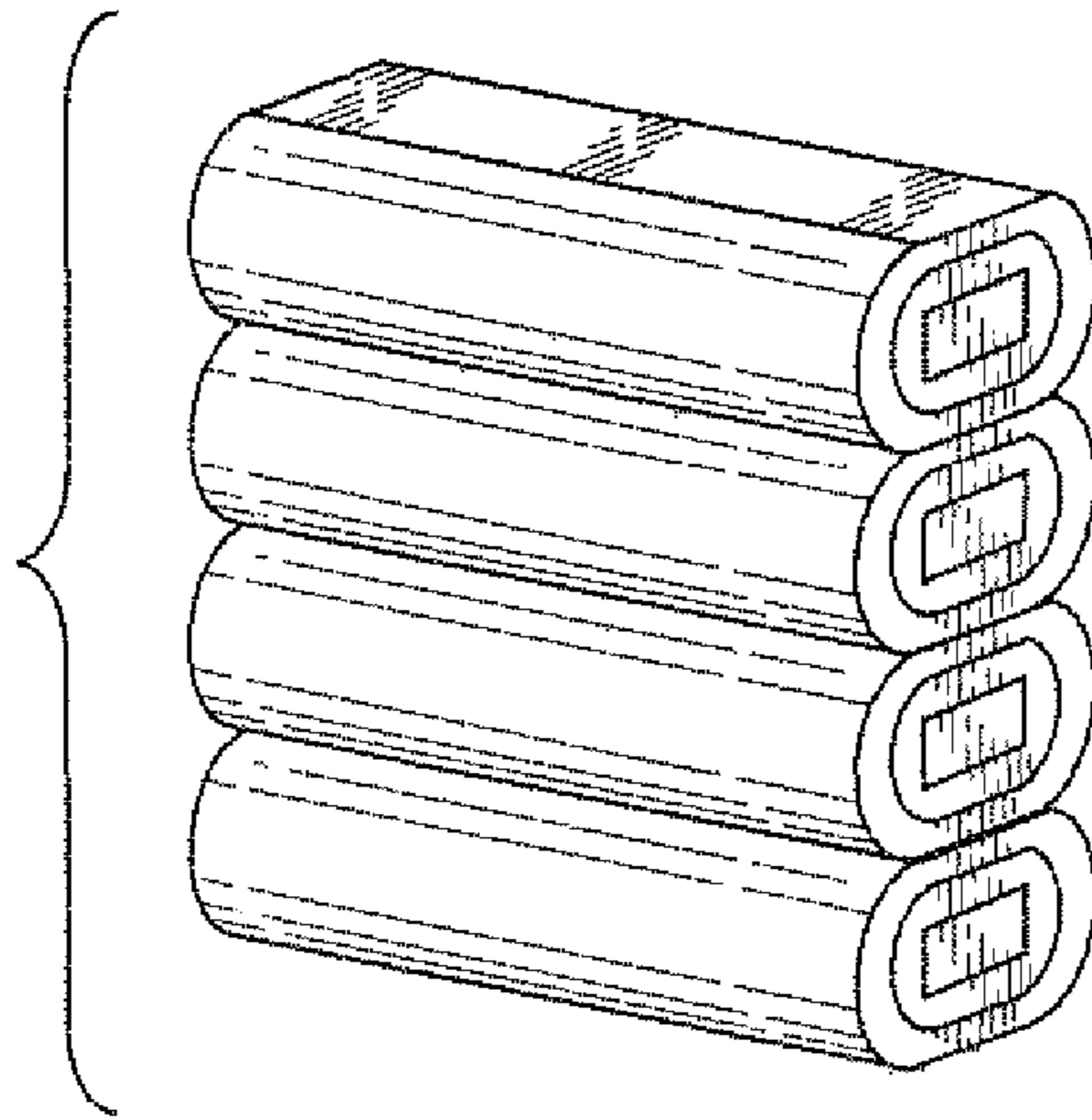


FIG. 1

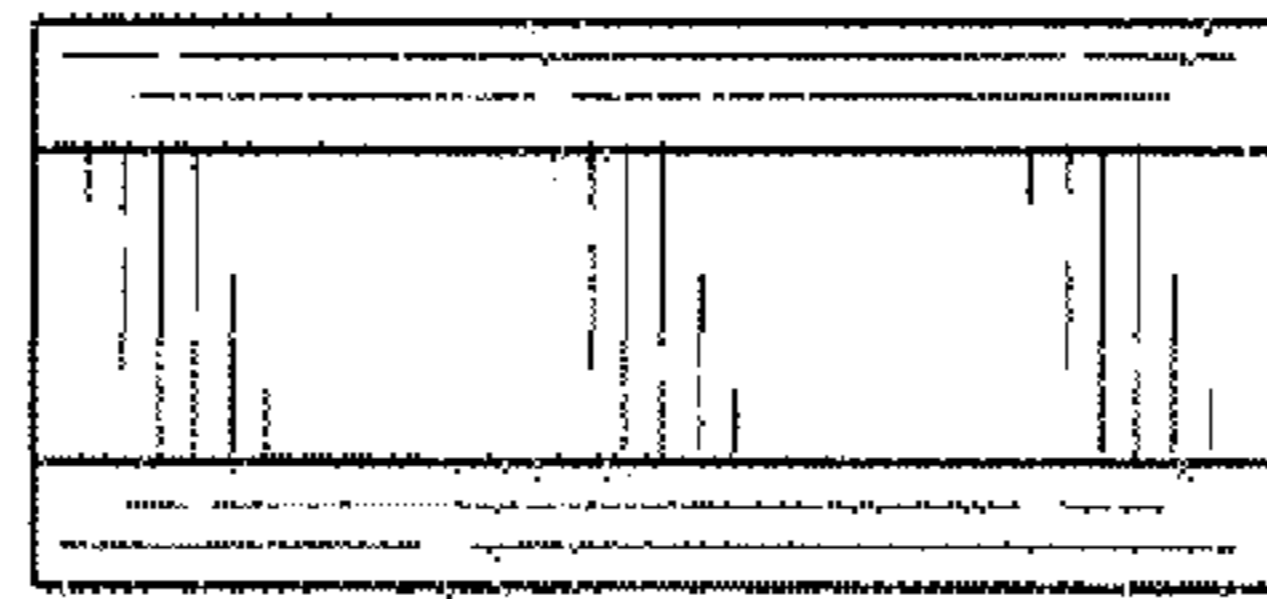


FIG. 2

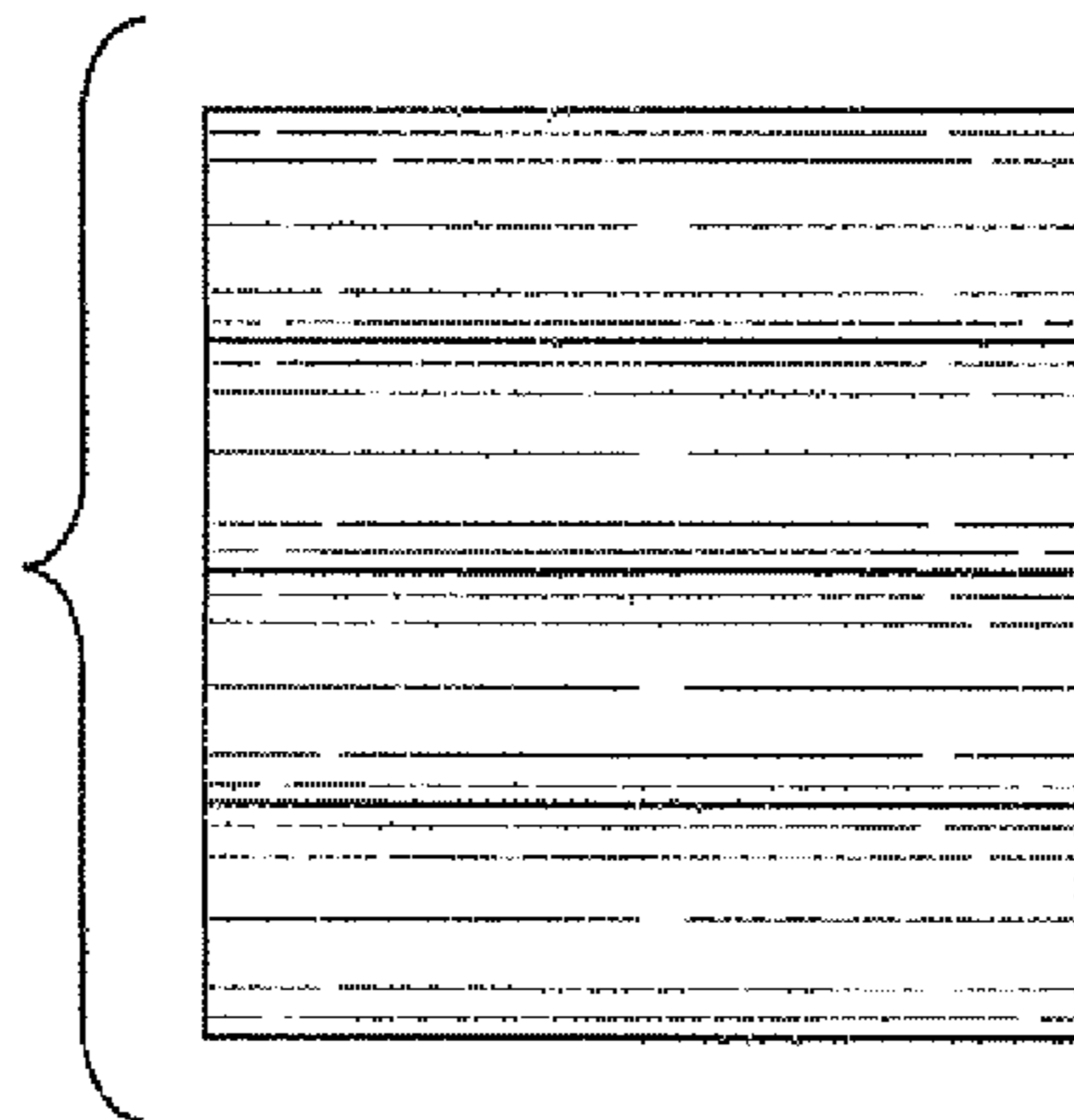


FIG. 3

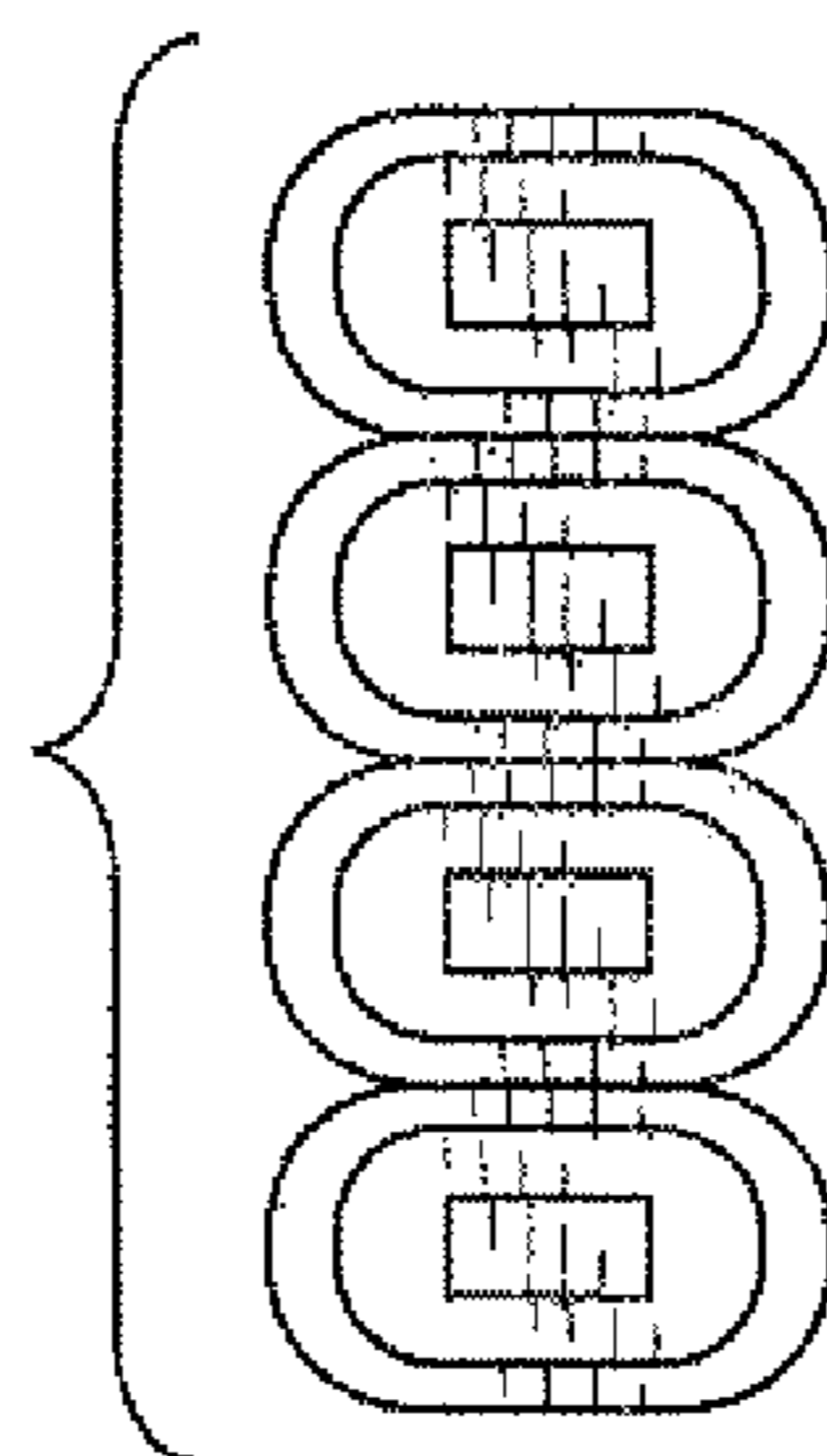


FIG. 4