



US00D631828S

(12) **United States Design Patent**
Onnerud et al.

(10) **Patent No.:** **US D631,828 S**

(45) **Date of Patent:** **** *Feb. 1, 2011**

(54) **BATTERY PACK**

(75) Inventors: **Per Onnerud**, Framingham, MA (US);
Christina M. Lampe-Onnerud,
Framingham, MA (US)

(73) Assignee: **Boston-Power, Inc.**, Westborough, MA
(US)

(*) Notice: This patent is subject to a terminal dis-
claimer.

(**) Term: **14 Years**

(21) Appl. No.: **29/312,301**

(22) Filed: **Oct. 14, 2008**

(51) **LOC (9) Cl.** **13-02**

(52) **U.S. Cl.** **D13/103**

(58) **Field of Classification Search** D13/102-106,
D13/110, 118-119, 184; 429/96-100, 163,
429/176

See application file for complete search history.

(56) **References Cited**

U.S. PATENT DOCUMENTS

1,075,556	A *	10/1913	Fenoughty	429/99
4,151,583	A *	4/1979	Miller	362/205
4,288,733	A	9/1981	Bilanceri et al.		
4,532,194	A	7/1985	Liautaud et al.		
4,559,588	A *	12/1985	Engelson et al.	362/196
D283,812	S	5/1986	Liautaud et al.		
D303,373	S *	9/1989	Ching, Jr.	D13/103
D306,851	S *	3/1990	Weimann	D13/103
D307,133	S *	4/1990	Ching, Jr.	D13/103
D307,260	S	4/1990	Happy et al.		
5,001,772	A	3/1991	Holcomb et al.		
D334,169	S	3/1993	Antonczak		
5,246,790	A *	9/1993	Mooney et al.	429/7
5,357,411	A *	10/1994	Menke et al.	362/183
D372,701	S *	8/1996	Tahmassebpur	D13/103
D388,060	S *	12/1997	Tanaka et al.	D13/103
D390,187	S *	2/1998	Urvoy	D13/103
5,736,271	A	4/1998	Cisar et al.		

5,736,272	A *	4/1998	Veenstra et al.	429/99
5,804,332	A *	9/1998	Shimizu et al.	429/100
D406,258	S *	3/1999	Segers	D13/103
D409,975	S *	5/1999	Zeller	D13/103
5,907,227	A	5/1999	Domei et al.		

(Continued)

OTHER PUBLICATIONS

TechRepublic Photo Gallery blog, Author Unknown, titled "Boston-Power's 'Sonata' battery". Dated Jan. 30, 2007 (Part 1 of 2) (2 pages). (http://techrepublic.com.com/2346-10877_11-42504-1.html).*

(Continued)

Primary Examiner—Rosemary K Tarcza

(74) *Attorney, Agent, or Firm*—Hamilton, Brook, Smith & Reynolds, P.C.

(57) **CLAIM**

The ornamental design for a battery pack, as shown and described.

DESCRIPTION

FIG. 1 is a perspective view of a battery pack showing our new design.

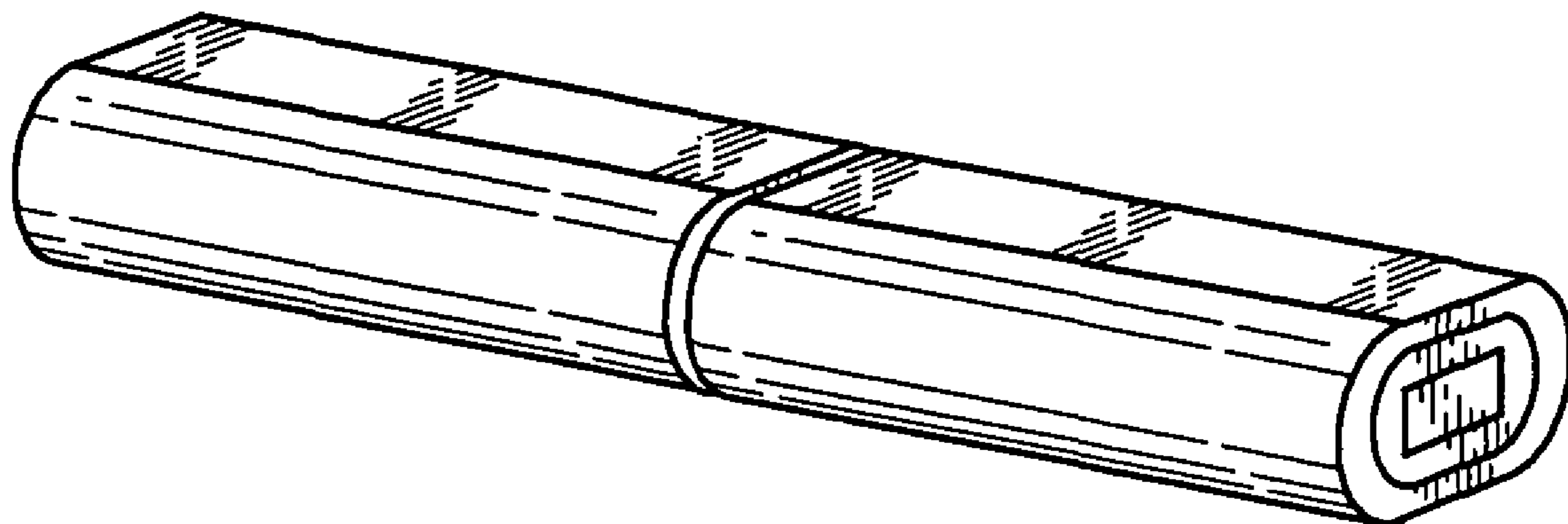
FIG. 2 is a top plan view of FIG. 1, with the bottom plan view being identical.

FIG. 3 is a side elevational view of FIG. 1, with the other side view being identical; and,

FIG. 4 is a front elevational view of FIG. 1, with the rear view being identical.

The article is a battery pack. The battery pack is a combination of individual batteries arranged as shown. The claim is directed to the collective appearance of the individual batteries in the combination shown.

1 Claim, 1 Drawing Sheet



US D631,828 S

Page 2

U.S. PATENT DOCUMENTS

5,928,809	A	7/1999	Ju				
5,958,618	A	9/1999	Sullivan				
5,962,159	A	10/1999	Satou et al.				
D424,513	S	5/2000	Birkestrand				
D424,933	S *	5/2000	Albright et al.	D9/423		
D425,417	S *	5/2000	Gaffney et al.	D9/423		
6,120,932	A *	9/2000	Slipy et al.	429/99		
6,218,042	B1 *	4/2001	Naudet et al.	429/97		
6,224,997	B1	5/2001	Papadopoulos				
D445,758	S *	7/2001	Killebrew et al.	D13/103		
6,283,611	B1 *	9/2001	Sharrah et al.	362/205		
6,303,248	B1	10/2001	Peterson				
6,334,697	B1 *	1/2002	Gappelberg et al.	362/186		
D454,110	S	3/2002	Andre et al.				
D457,133	S *	5/2002	Yoneyama	D13/103		
D461,163	S *	8/2002	Hirano et al.	D13/103		
6,433,498	B1	8/2002	Domei et al.				
6,447,949	B2 *	9/2002	Iwata et al.	429/185		
6,558,835	B1	5/2003	Kurisu et al.				
6,636,732	B1 *	10/2003	Boling et al.	455/404.1		
D481,557	S	11/2003	Harris				
D488,027	S	4/2004	Lin				
D491,888	S	6/2004	Lee				
D504,349	S	4/2005	Shagalov				
6,930,697	B2	8/2005	Tanaka				
6,942,359	B2 *	9/2005	Furth et al.	362/205		
D510,721	S	10/2005	Axelrod				
7,033,695	B2	4/2006	Sawachi				
D524,728	S	7/2006	Watson				
D528,974	S	9/2006	Tang				
7,105,247	B2 *	9/2006	Suzuki	429/96		
D529,437	S	10/2006	Miyashita				
D529,709	S	10/2006	Swartz et al.				
D532,363	S	11/2006	Morisawa				
D535,195	S	1/2007	Schwab				
D537,034	S	2/2007	Kang et al.				
7,176,655	B2 *	2/2007	Kogan et al.	320/112		
D538,222	S	3/2007	Curello et al.				
D543,867	S	6/2007	Yourist				
D545,759	S	7/2007	Ino et al.				
D547,264	S	7/2007	Kondo				
D548,684	S *	8/2007	Eto et al.	D13/103		
7,270,576	B2 *	9/2007	Kim et al.	439/627		
7,278,753	B2	10/2007	Uke				
7,304,453	B2 *	12/2007	Eaves	320/120		
7,360,269	B2	4/2008	Cobabe et al.				
7,390,590	B2 *	6/2008	Wani et al.	429/96		
D576,100	S	9/2008	Wang				
D586,739	S	2/2009	Zaremba				
D586,740	S	2/2009	Song				
D586,741	S	2/2009	Song				
7,510,537	B2 *	3/2009	Imboden et al.	601/70		
7,510,797	B2 *	3/2009	Aker et al.	429/120		
D597,936	S *	8/2009	Walsh et al.	D13/103		
7,614,107	B2	11/2009	Cobabe et al.				
2002/0022159	A1 *	2/2002	Pierson et al.	429/1		
2003/0003350	A1 *	1/2003	Heimer et al.	429/99		
2003/0006733	A1	1/2003	Abe				
2003/0044677	A1	3/2003	Naruoka				
2003/0129487	A1	7/2003	Inoue et al.				
2004/0155951	A1	8/2004	Tanaka				
2004/0191614	A1	9/2004	Iwasaki et al.				
2004/0219422	A1 *	11/2004	Hauck et al.	429/96		
2004/0241539	A1 *	12/2004	Katayama	429/97		
2005/0058891	A1 *	3/2005	Marraffa	429/99		
2005/0122715	A1 *	6/2005	Furth et al.	362/208		
2005/0144744	A1	7/2005	Thiess et al.				
2005/0150067	A1	7/2005	Cobabe et al.				
2005/0191544	A1 *	9/2005	Casanova	429/100		
2006/0007721	A1 *	1/2006	Rodriguez et al.	363/146		
2006/0024566	A1 *	2/2006	Plummer	429/100		
2006/0034073	A1	2/2006	Uke				
2006/0076923	A1 *	4/2006	Eaves	320/112		
2006/0091849	A1 *	5/2006	Huynh et al.	320/112		
2006/0119317	A1 *	6/2006	Kogan et al.	320/112		
2006/0176689	A1 *	8/2006	Dowdy et al.	362/188		
2006/0291198	A1 *	12/2006	Dalton et al.	362/191		
2007/0002559	A1 *	1/2007	Uke	362/157		
2007/0019402	A1 *	1/2007	Dalton et al.	362/157		
2007/0034258	A1	2/2007	Parsons et al.				
2007/0126397	A1 *	6/2007	Kogan et al.	320/112		
2007/0133197	A1 *	6/2007	Shiau	362/157		
2007/0210745	A1 *	9/2007	Dingeldein	320/112		
2007/0231680	A1	10/2007	Satoh et al.				
2007/0264536	A1 *	11/2007	Mizoguchi	429/9		
2008/0096521	A1 *	4/2008	Boling et al.	455/404.2		
2008/0124618	A1 *	5/2008	Shimoyama	429/99		
2008/0182162	A1	7/2008	Kim				
2008/0211309	A1 *	9/2008	Nolte	307/66		
2008/0305387	A1 *	12/2008	Murray et al.	429/100		
2009/0111015	A1 *	4/2009	Wood et al.	429/164		
2009/0148754	A1 *	6/2009	Marchio et al.	429/83		
2009/0207595	A1 *	8/2009	Sharrah et al.	362/158		
2010/0017978	A1	1/2010	Cobabe et al.				

OTHER PUBLICATIONS

TechRepublic Photo Gallery blog, Author Unknown, titled "Boston-Power's 'Sonata' battery". Dated Jan. 30, 2007 (Part 2 of 2) (2 pages). (http://techrepublic.com/2346-10877_11-42504-2.html).*

Engadget.com article by Donald Melanson, Boston-Power unveils long-lasting "Sonata" laptop battery. Dated Jan. 30, 2007. (5 pages) (<http://www.engadget.com/2007/01/30/boston-power-unveils-long-lasting-sonata-laptop-battery/>).*

* cited by examiner

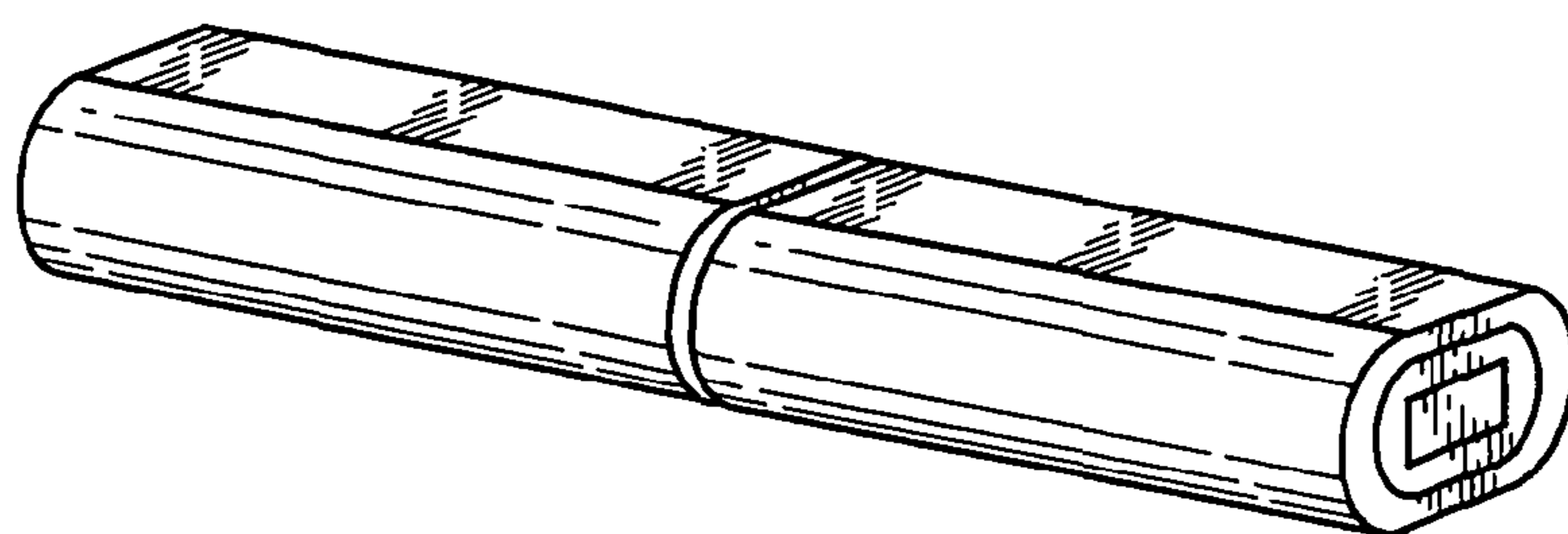


FIG. 1



FIG. 2



FIG. 3

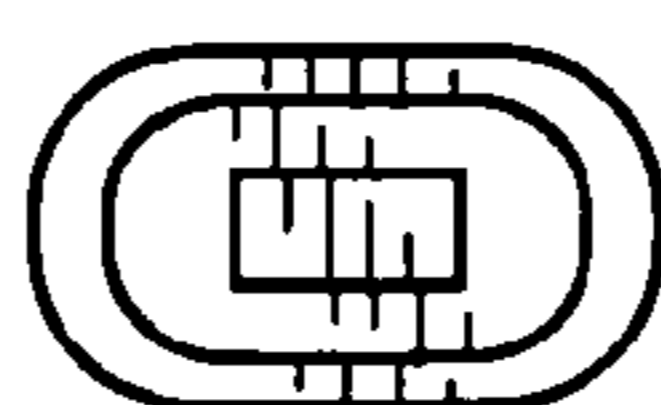


FIG. 4