



US00D631827S

(12) **United States Design Patent**  
**Onnerud et al.**

(10) **Patent No.:** **US D631,827 S**

(45) **Date of Patent:** **\*\* \*Feb. 1, 2011**

(54) **BATTERY PACK**

(75) Inventors: **Per Onnerud**, Framingham, MA (US);  
**Christina M. Lampe-Onnerud**,  
Framingham, MA (US)

(73) Assignee: **Boston-Power, Inc.**, Westborough, MA  
(US)

(\*) Notice: This patent is subject to a terminal dis-  
claimer.

(\*\*) Term: **14 Years**

(21) Appl. No.: **29/312,300**

(22) Filed: **Oct. 14, 2008**

(51) **LOC (9) Cl.** ..... **13-02**

(52) **U.S. Cl.** ..... **D13/103**

(58) **Field of Classification Search** ..... D13/102–106,  
D13/110, 118–119, 184; 429/96–100, 163,  
429/176

See application file for complete search history.

(56) **References Cited**

U.S. PATENT DOCUMENTS

1,075,556	A *	10/1913	Fenoughty	.....	429/99
4,151,583	A *	4/1979	Miller	.....	362/205
4,288,733	A *	9/1981	Bilanceri et al.	.....	320/113
4,532,194	A *	7/1985	Liautaud et al.	.....	429/99
4,559,588	A	12/1985	Engelson et al.		
D283,812	S *	5/1986	Liautaud et al.	.....	D13/103
D303,373	S *	9/1989	Ching, Jr.	.....	D13/103
D306,851	S *	3/1990	Weimann	.....	D13/103
D307,133	S *	4/1990	Ching, Jr.	.....	D13/103
D307,260	S *	4/1990	Happy et al.	.....	D13/102
5,001,772	A *	3/1991	Holcomb et al.	.....	455/575.1
D334,169	S	3/1993	Antonczak		
5,246,790	A *	9/1993	Mooney et al.	.....	429/7
5,357,411	A	10/1994	Menke et al.		
D372,701	S *	8/1996	Tahmassebpur	.....	D13/103
D388,060	S *	12/1997	Tanaka et al.	.....	D13/103
D390,187	S *	2/1998	Urvoy	.....	D13/103
5,736,271	A *	4/1998	Cisar et al.	.....	429/96

5,736,272	A *	4/1998	Veenstra et al.	.....	429/99
5,804,332	A	9/1998	Shimizu et al.		
D406,258	S *	3/1999	Segers	.....	D13/103
D409,975	S *	5/1999	Zeller	.....	D13/103
5,907,227	A	5/1999	Domei et al.		

(Continued)

OTHER PUBLICATIONS

TechRepublic Photo Gallery blog, Author Unknown, titled "Boston-Power's 'Sonata' battery". Dated Jan. 30, 2007 (Part 1 of 2) (2 pages). ([http://techrepublic.com.com/2346-10877\\_11-42504-1.html](http://techrepublic.com.com/2346-10877_11-42504-1.html)).\*

(Continued)

*Primary Examiner*—Rosemary K Tarcza

(74) *Attorney, Agent, or Firm*—Hamilton, Brook, Smith & Reynolds, P.C.

(57) **CLAIM**

The ornamental design for a battery pack, as shown and described.

**DESCRIPTION**

FIG. 1 is a perspective view of a battery pack showing our new design.

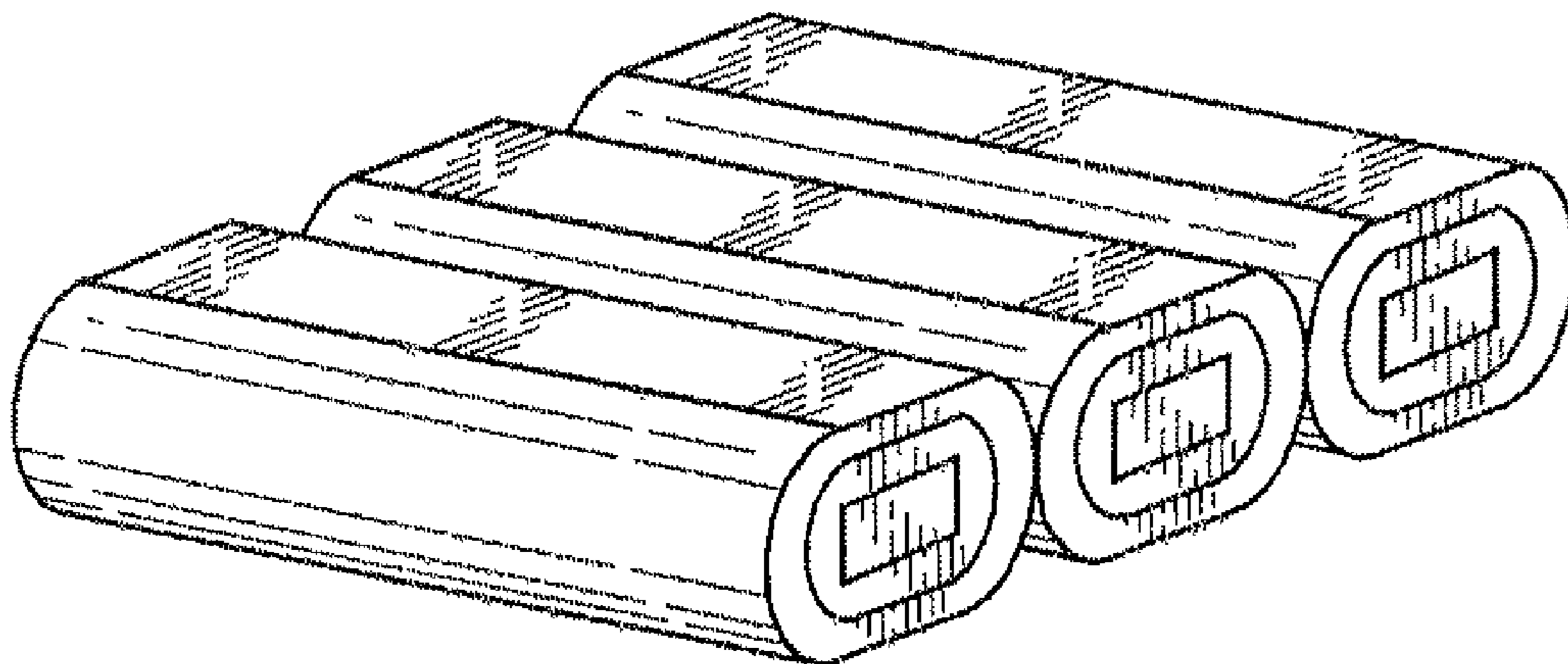
FIG. 2 is a top plan view of FIG. 1, with the bottom plan view being identical.

FIG. 3 is a side elevational view of FIG. 1, with the other side view being identical; and,

FIG. 4 is a front elevational view of FIG. 1, with the rear view being identical.

The article is a battery pack. The battery pack is a combination of individual batteries arranged as shown. The claim is directed to the collective appearance of the individual batteries in the combination shown.

**1 Claim, 1 Drawing Sheet**





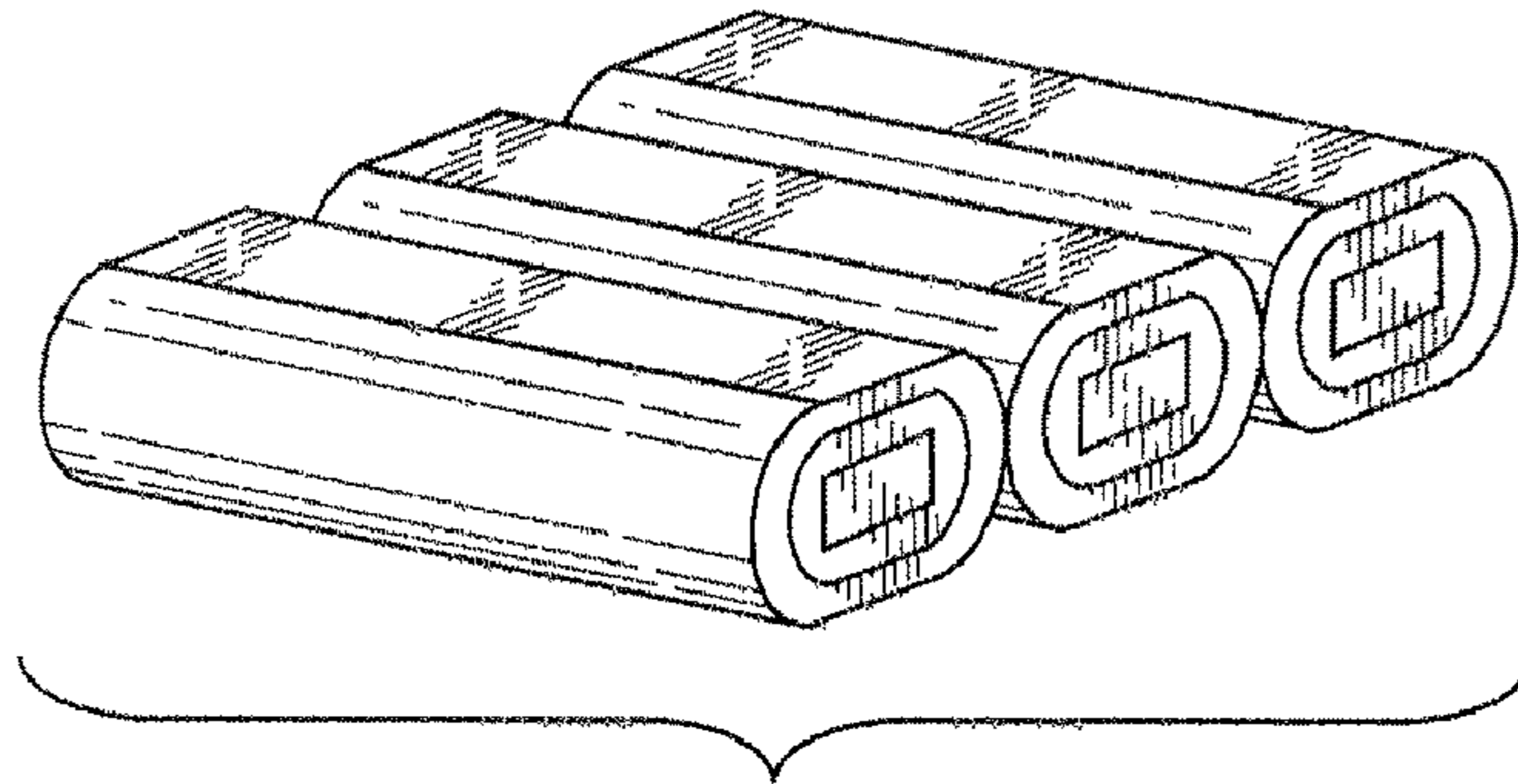


FIG. 1

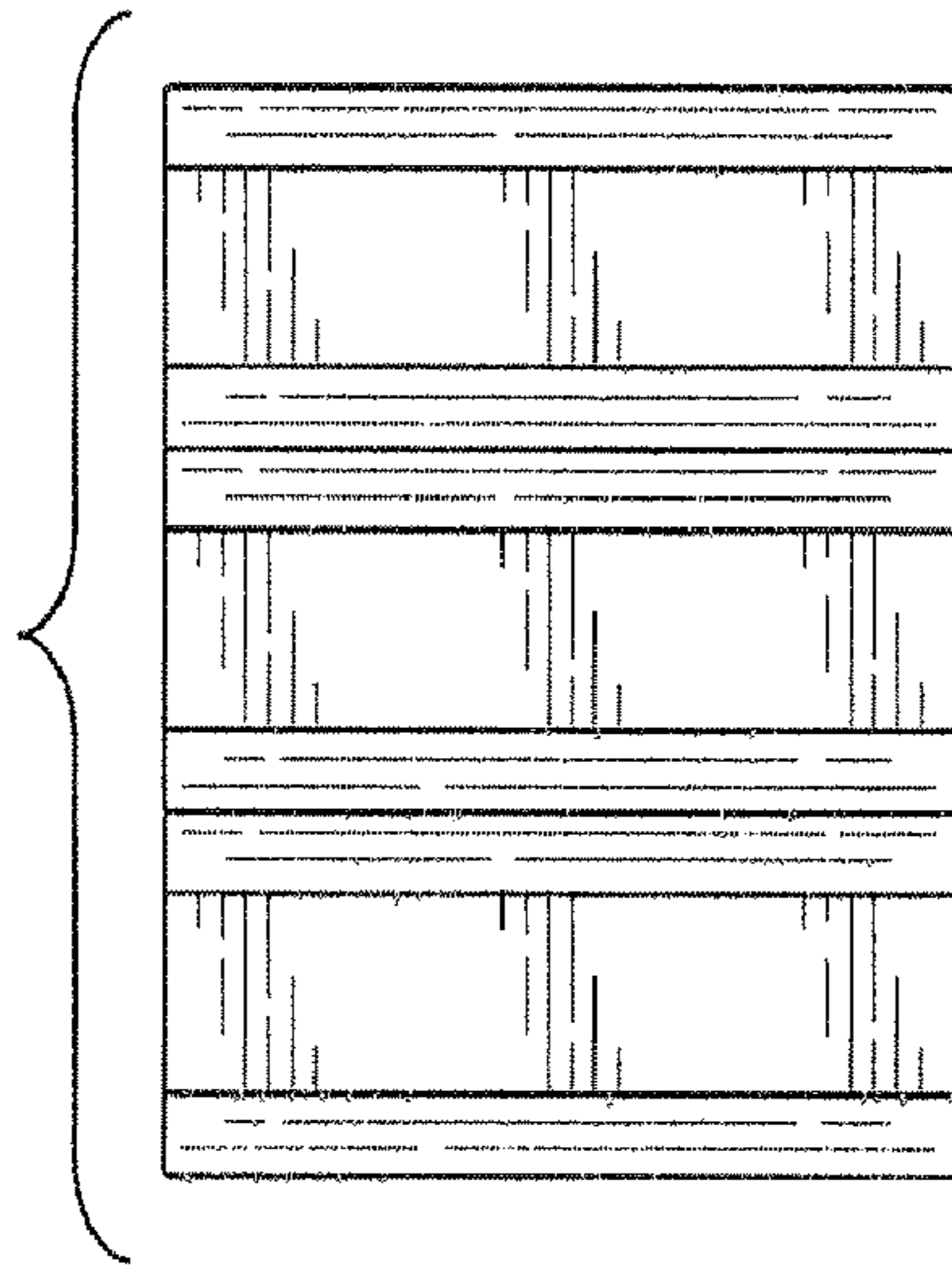


FIG. 2

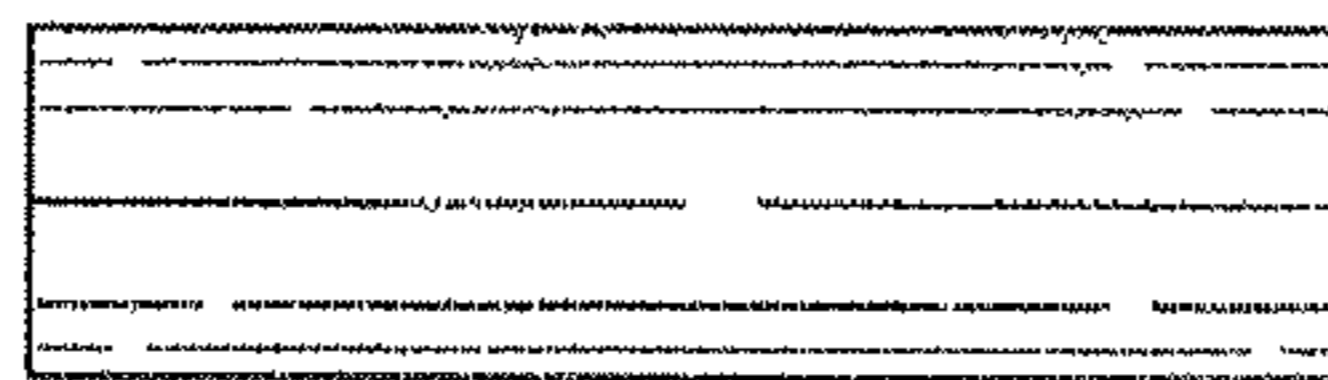


FIG. 3

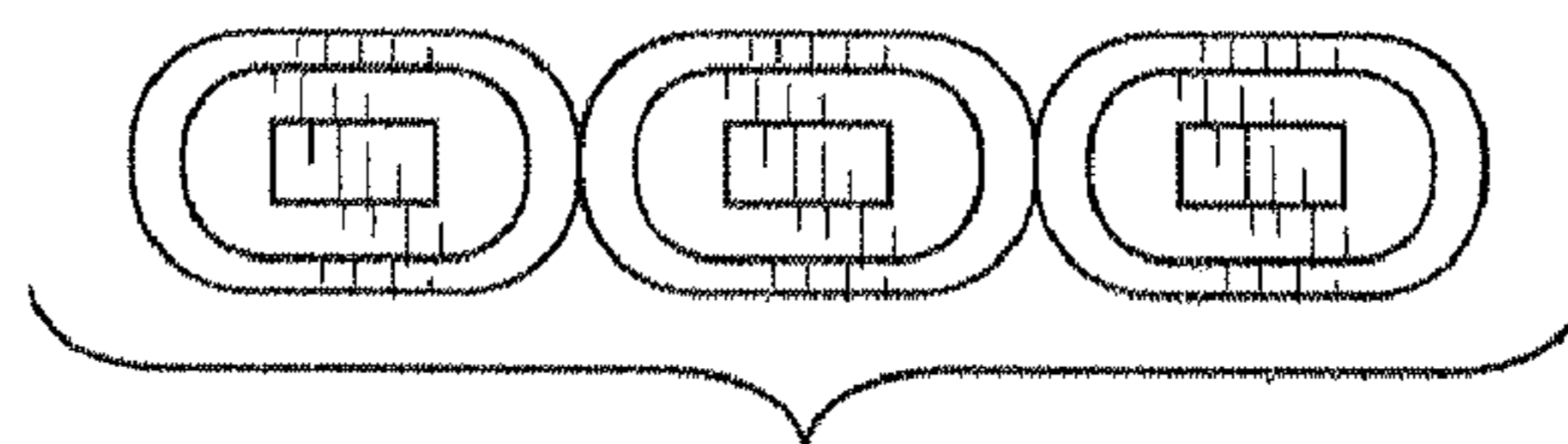


FIG. 4