



US00D631824S

(12) **United States Design Patent**
Tanaka et al.

(10) **Patent No.:** **US D631,824 S**

(45) **Date of Patent:** **** Feb. 1, 2011**

(54) **SHED WITH SOLAR-BATTERY**

(75) Inventors: **Yosuke Tanaka**, Osaka (JP); **Ayumu Kato**, Osaka (JP)

(73) Assignee: **Sanyo Electric Co., Ltd.**, Osaka (JP)

(**) Term: **14 Years**

(21) Appl. No.: **29/347,802**

(22) Filed: **Jun. 8, 2010**

(30) **Foreign Application Priority Data**

Dec. 9, 2009 (JP) 2009-028633

(51) **LOC (9) Cl.** **13-02**

(52) **U.S. Cl.** **D13/102**

(58) **Field of Classification Search** D13/102,
D13/101, 103, 107, 184, 199; D25/56, 61,
D25/68, 134; 52/173.3; 126/569, 571, 600,
126/621, 623, 680, 906; 136/243-246, 251;
248/49, 346.01, 346.02

See application file for complete search history.

(56) **References Cited**

U.S. PATENT DOCUMENTS

4,611,090 A * 9/1986 Catella et al. 136/251
5,228,924 A * 7/1993 Barker et al. 136/246
D408,554 S * 4/1999 Dinwoodie D25/56
6,058,930 A * 5/2000 Shingleton 126/600
D456,085 S * 4/2002 O'Brien D25/56

6,672,018 B2 * 1/2004 Shingleton 52/173.3
D560,605 S * 1/2008 McClintock et al. D13/102
D560,606 S * 1/2008 McClintock et al. D13/102
D584,223 S * 1/2009 Cooper D13/102
7,531,741 B1 * 5/2009 Melton et al. 136/246
2004/0139689 A1 * 7/2004 Sinha et al. 52/745.15
2009/0050194 A1 * 2/2009 Noble et al. 136/251

FOREIGN PATENT DOCUMENTS

JP 1371195 9/2009

* cited by examiner

Primary Examiner—Prabhakar Deshmukh

Assistant Examiner—Derrick Holland

(74) *Attorney, Agent, or Firm*—Rabin & Berdo, PC

(57) **CLAIM**

The ornamental design for a shed with solar-battery, as shown and described.

DESCRIPTION

FIG. 1 is a perspective view of a shed with solar-battery showing our new design;

FIG. 2 is a top plan view thereof; and

FIG. 3 is a bottom plan view thereof.

FIG. 4 is a right side view thereof, the left side view thereof being a mirror image;

FIG. 5 is a front elevation view thereof; and,

FIG. 6 is a rear elevation view thereof.

1 Claim, 3 Drawing Sheets

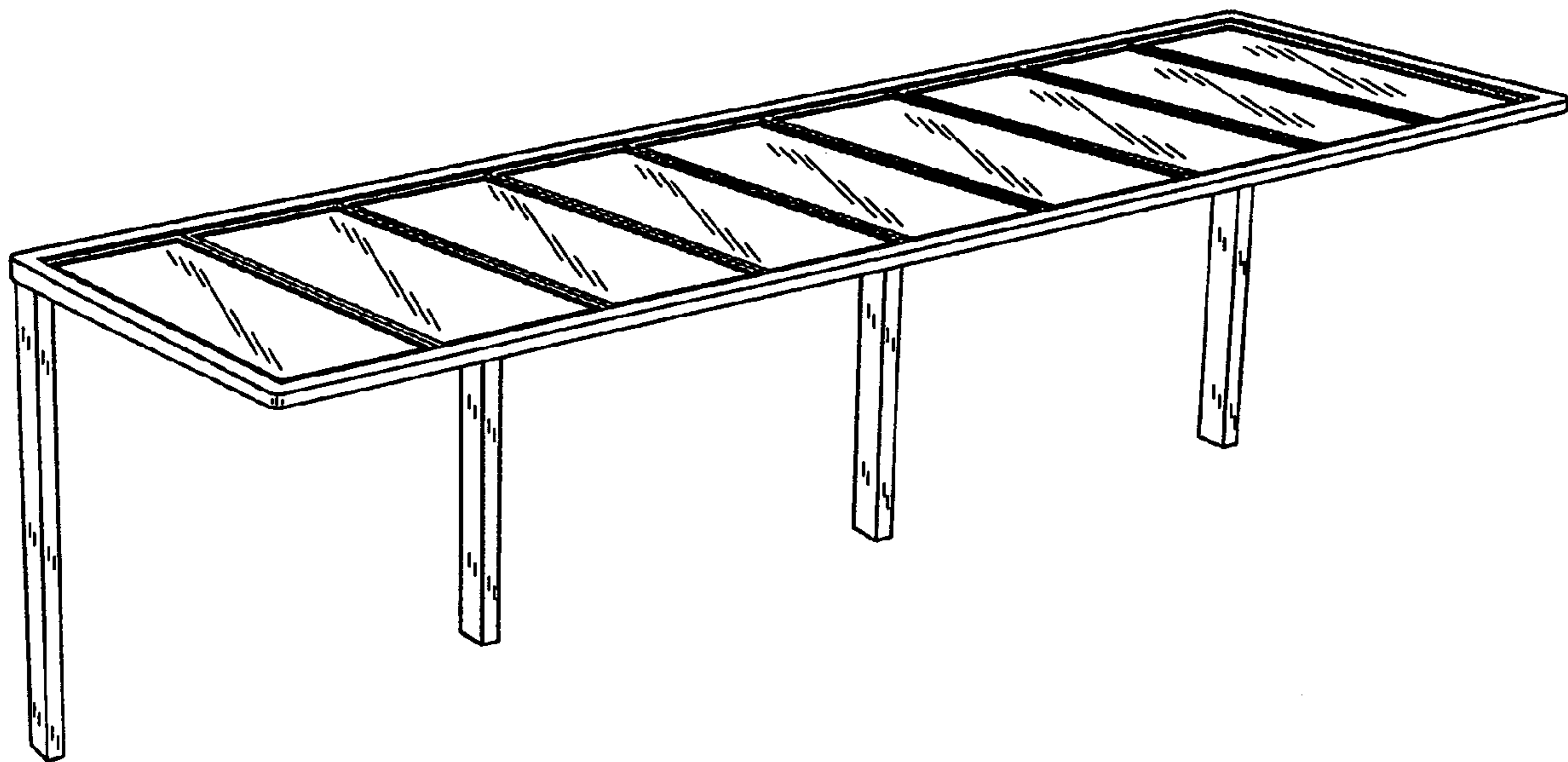


FIG. 1

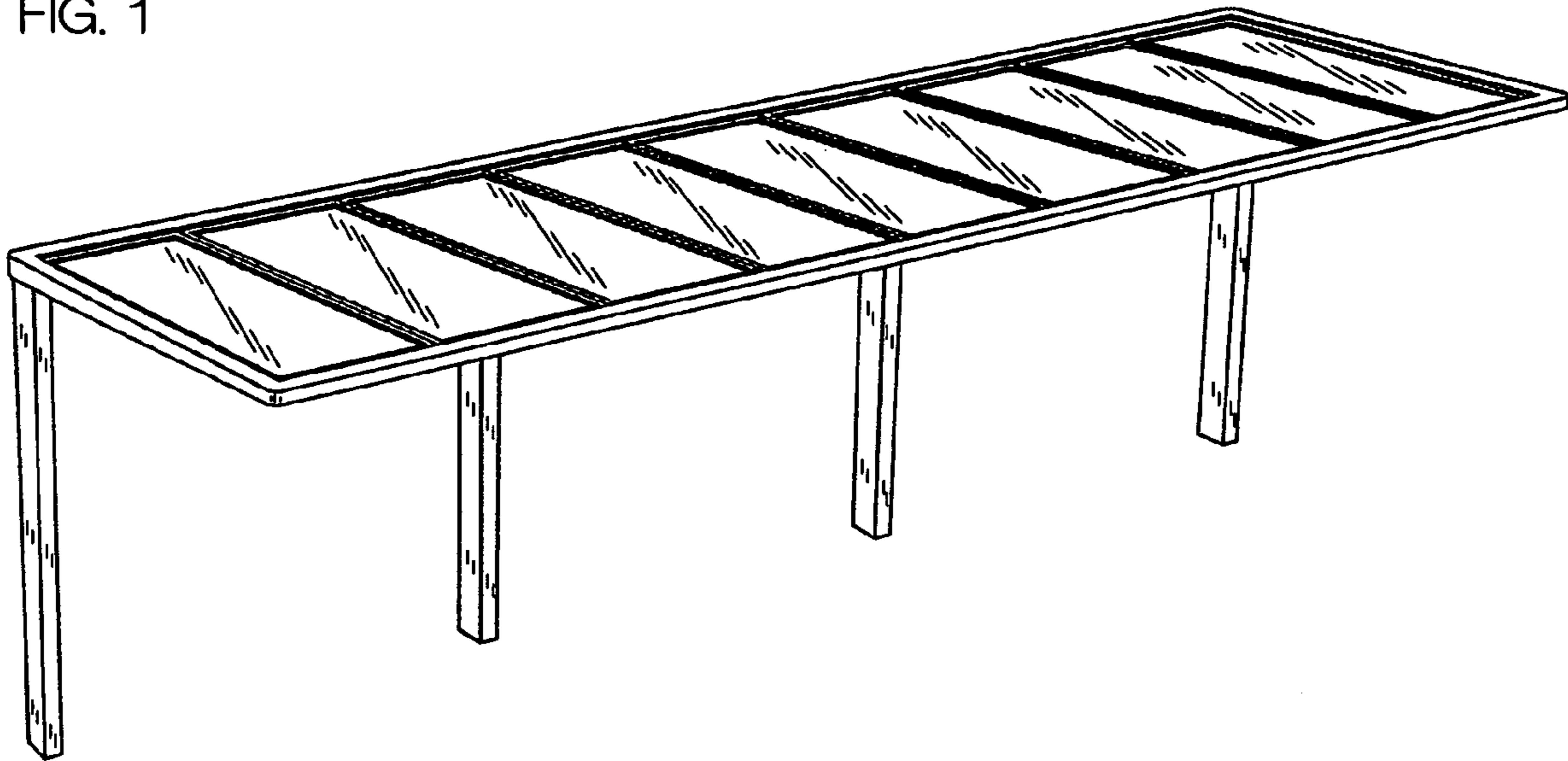


FIG. 2

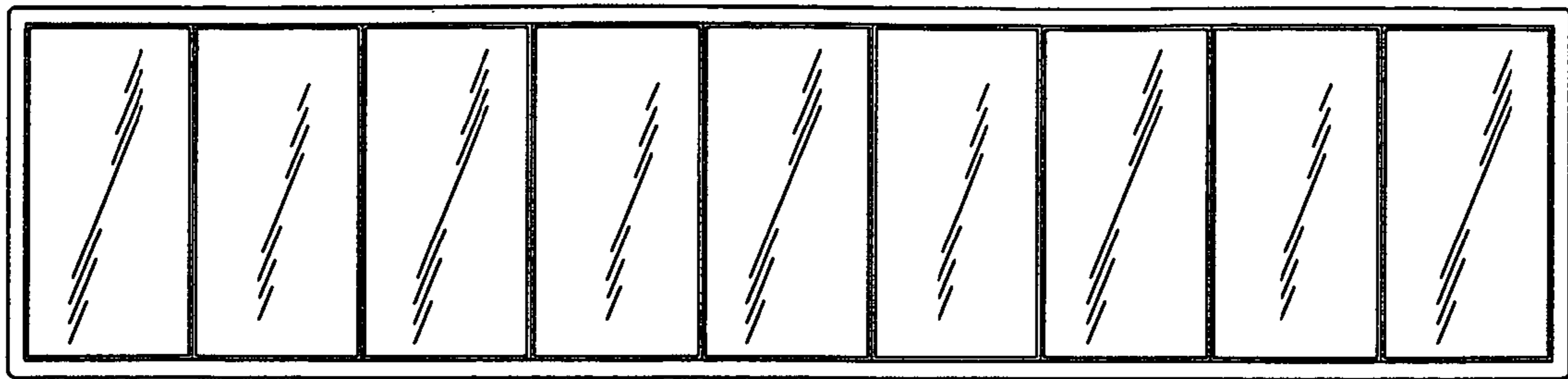


FIG. 3

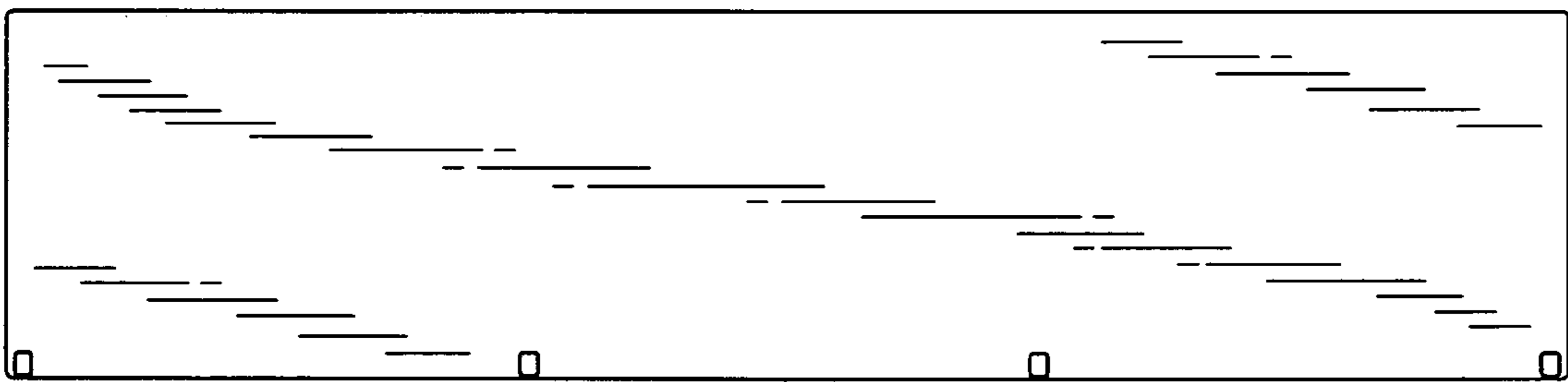


FIG. 4



FIG. 5

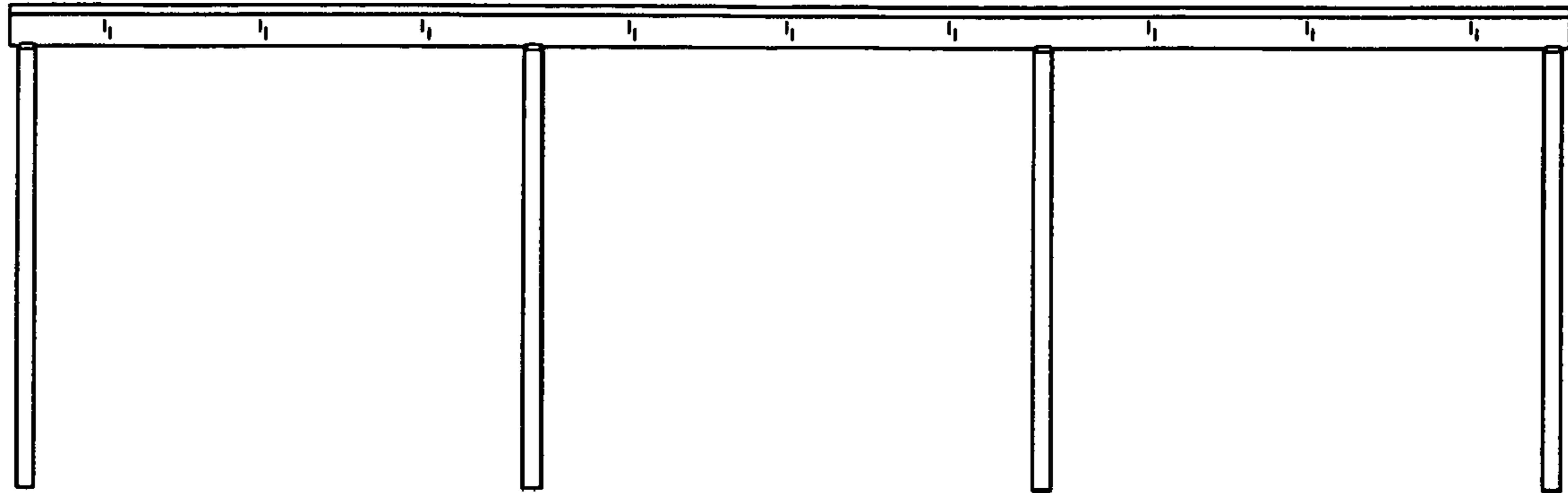


FIG. 6

