



US00D631819S

(12) **United States Design Patent**
Taylor

(10) **Patent No.:** **US D631,819 S**

(45) **Date of Patent:** **** Feb. 1, 2011**

(54) **TRUCK BOX BED RAIL GUARD**

(76) **Inventor:** **Elwood L. Taylor**, 575 Central Avenue,
Thunder Bay, Ontario (CA) P7J 1L9

(**) **Term:** **14 Years**

(21) **Appl. No.:** **29/368,102**

(22) **Filed:** **Aug. 18, 2010**

(51) **LOC (9) Cl.** **12-16**

(52) **U.S. Cl.** **D12/414**

(58) **Field of Classification Search** D12/413,
D12/414, 406, 412, 414.1; 206/213, 8, 9,
206/279, 290, 713, 335, 315.1-315.4; D32/35,
D32/38; D6/317-319, 513-514, 552; 293/37.1,
293/3, 100; 224/309-310, 315-316, 323-329,
224/400; D3/304-306; 280/760-762, 848,
280/727, 769; 296/99.1, 37.1, 100.01, 100.02,
296/157

See application file for complete search history.

(56) **References Cited**

U.S. PATENT DOCUMENTS

D295,619 S *	5/1988	Reeve	D12/414
D299,017 S *	12/1988	Renn et al.	D12/414
D382,333 S *	8/1997	Kawamura et al.	D23/295
D400,846 S *	11/1998	Laivins et al.	D12/414
2008/0169222 A1 *	7/2008	Ophus	208/390
2009/0020573 A1 *	1/2009	Binder et al.	224/326
2009/0091112 A1 *	4/2009	Fredrickson	280/762
2009/0120982 A1 *	5/2009	Sautter et al.	224/323

2009/0243331 A1* 10/2009 Spencer et al. 296/100.01
2010/0078453 A1* 4/2010 Aftanas et al. 224/309

* cited by examiner

Primary Examiner—Caron Veynar

Assistant Examiner—Katrina A Kile

(74) *Attorney, Agent, or Firm*—Robert L. Farris; Farris Law,
P.C.

(57) **CLAIM**

The ornamental design for a truck box bed rail guard, shown
and described.

DESCRIPTION

FIG. 1 is a perspective view of the truck box bed rail guard
mounted on a truck box;

FIG. 2 is a perspective view showing the top and inside of the
truck box bed rail guard;

FIG. 3 is a top plan view of the truck box bed rail guard;

FIG. 4 is a bottom view of the truck box bed rail guard;

FIG. 5 is a side elevational view of a first side of the truck box
bed rail guard;

FIG. 6 is a side elevational view of a second side of the truck
box bed rail guard;

FIG. 7 is a rear end view of the truck box bed rail guard; and,

FIG. 8 is a front end view of the truck box bed rail guard.

In FIG. 1, the broken lines show a truck and form no part of the
claimed design.

1 Claim, 4 Drawing Sheets

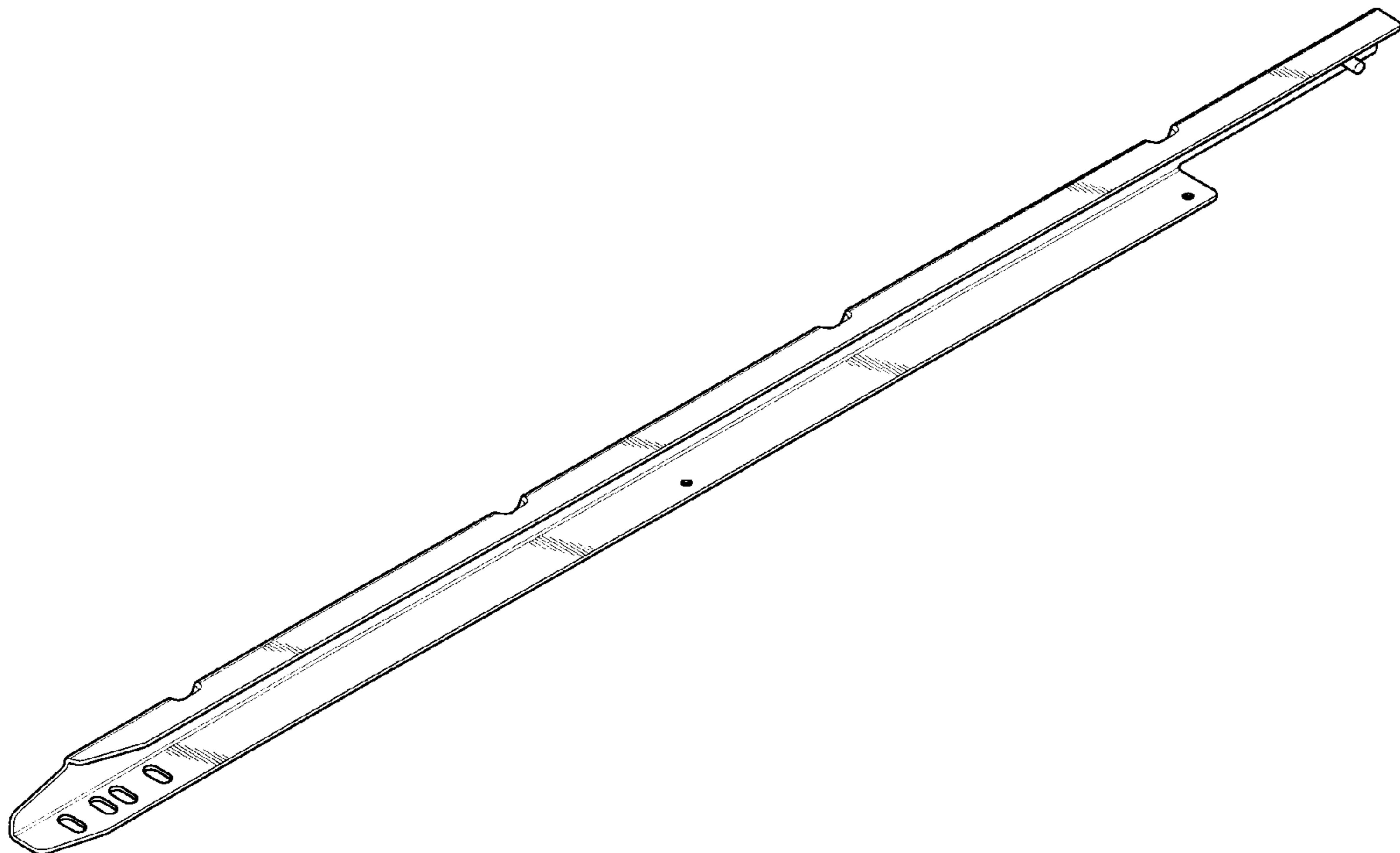
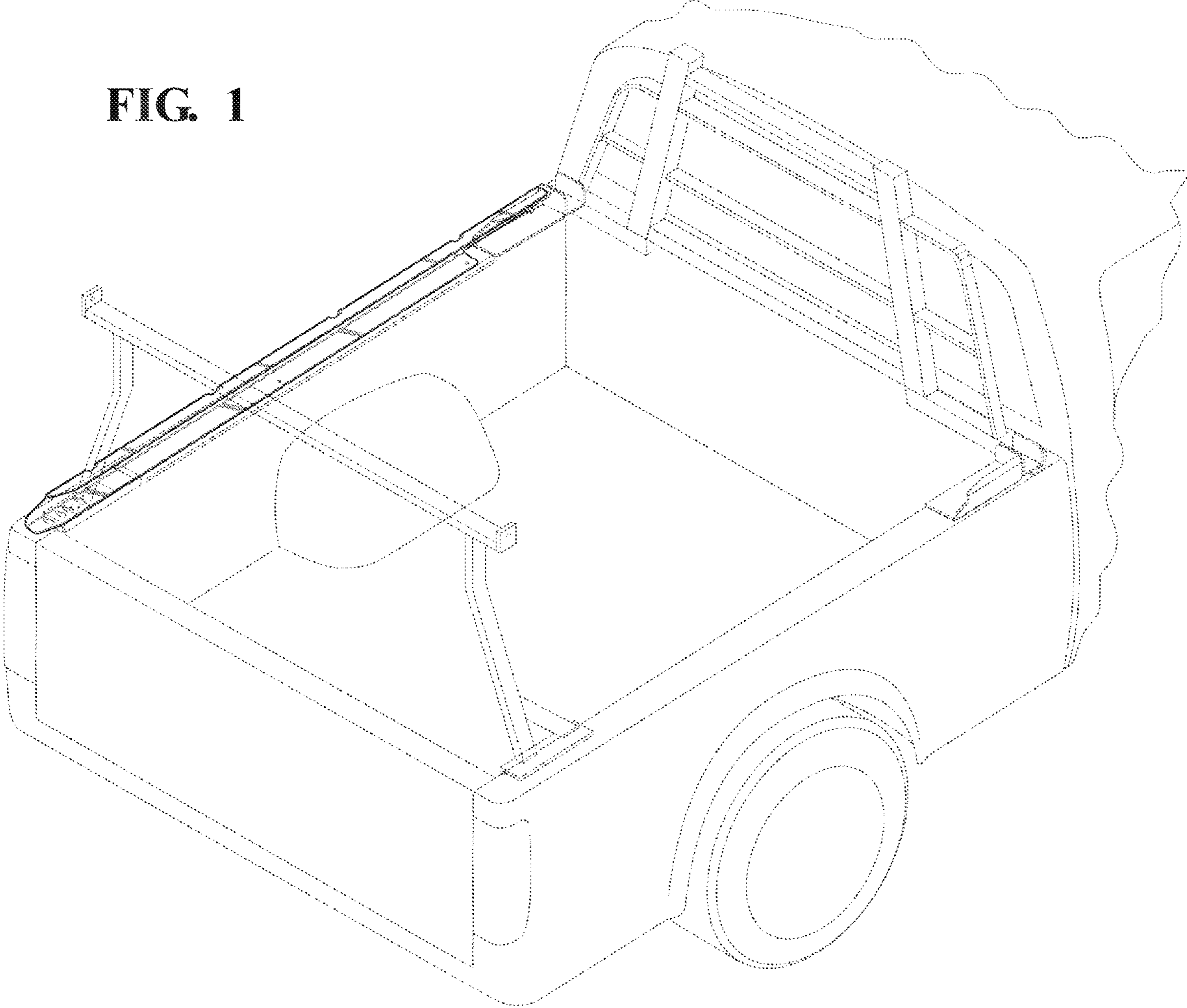


FIG. 1



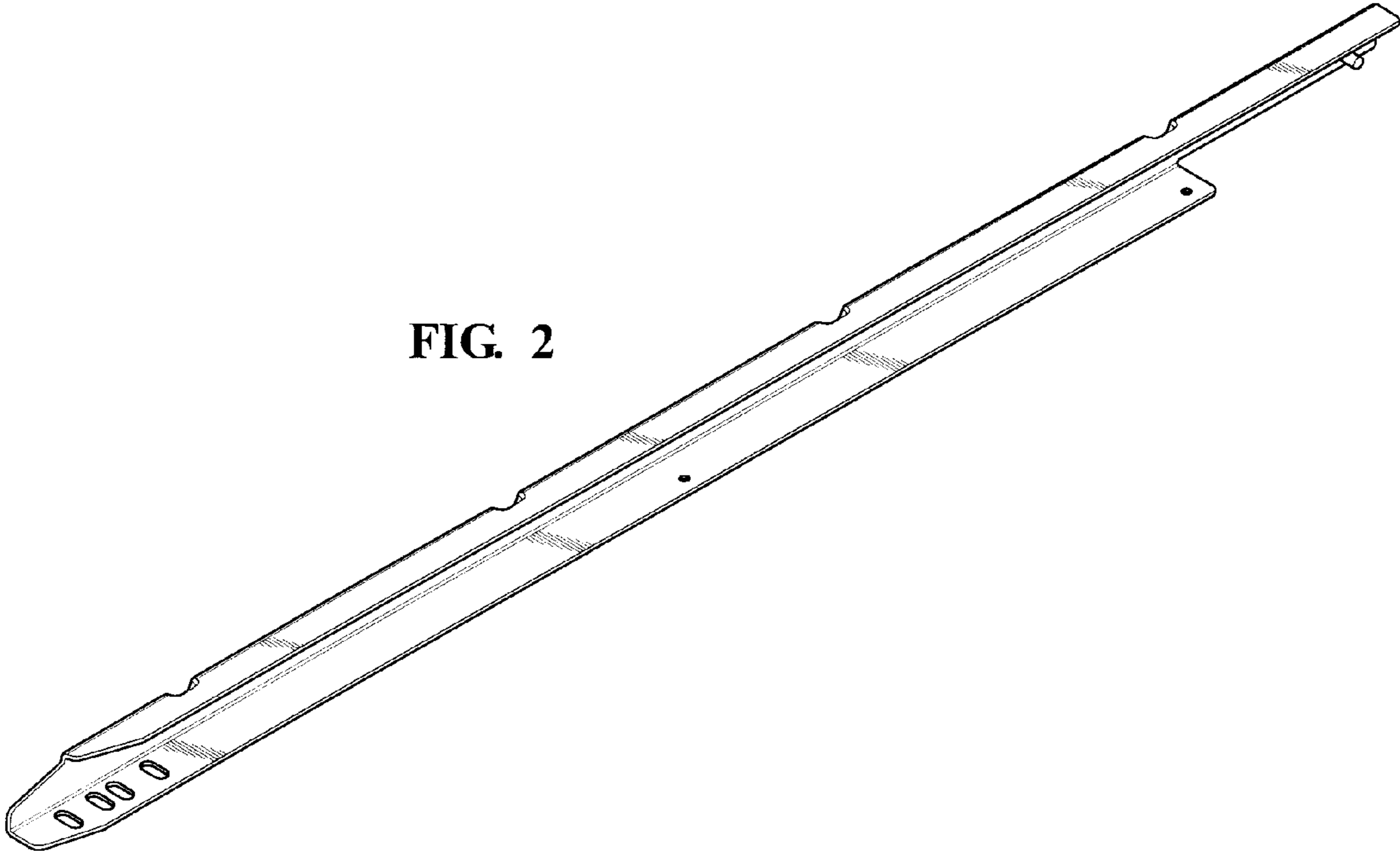


FIG. 2

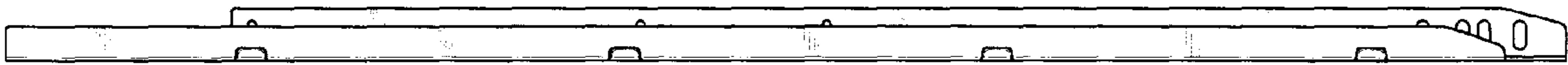


FIG. 3



FIG. 4

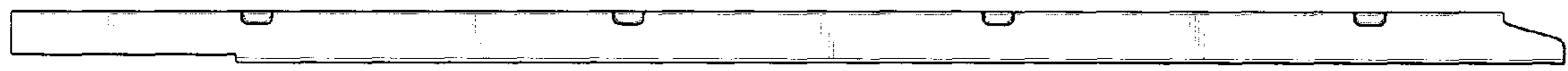


FIG. 5

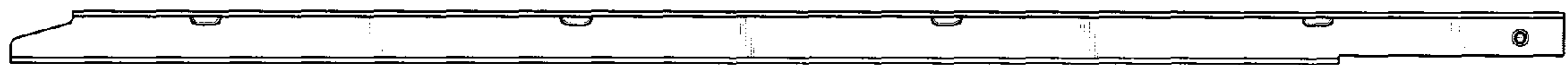


FIG. 6

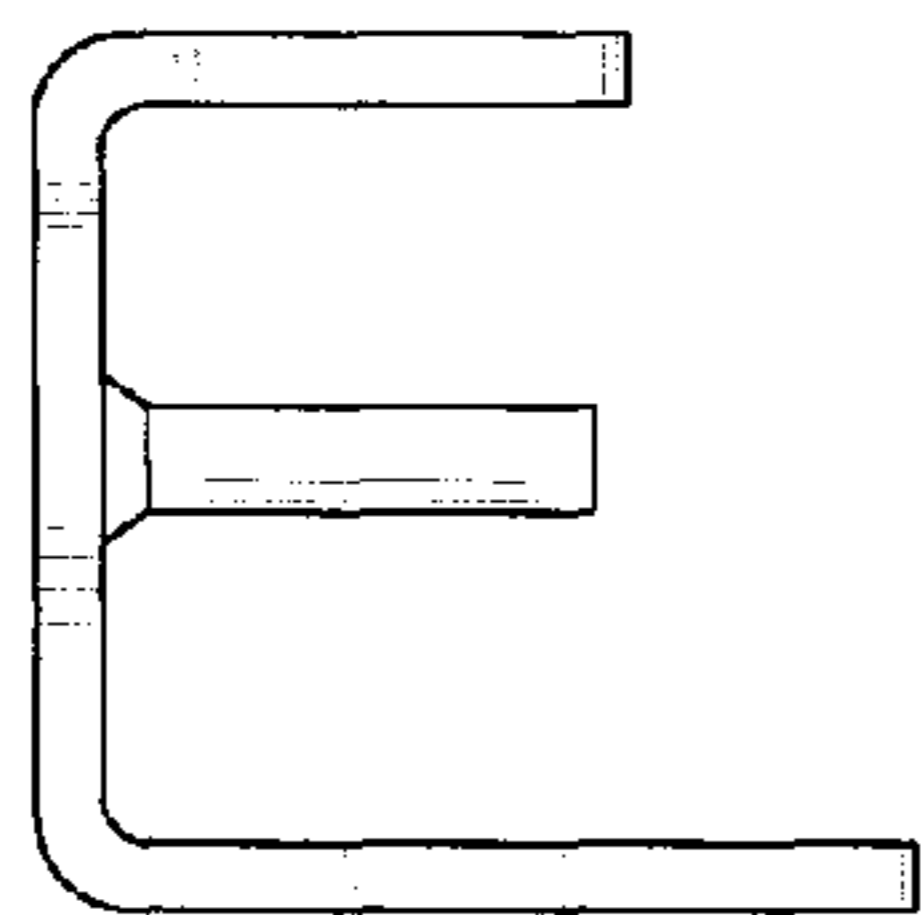


FIG. 7

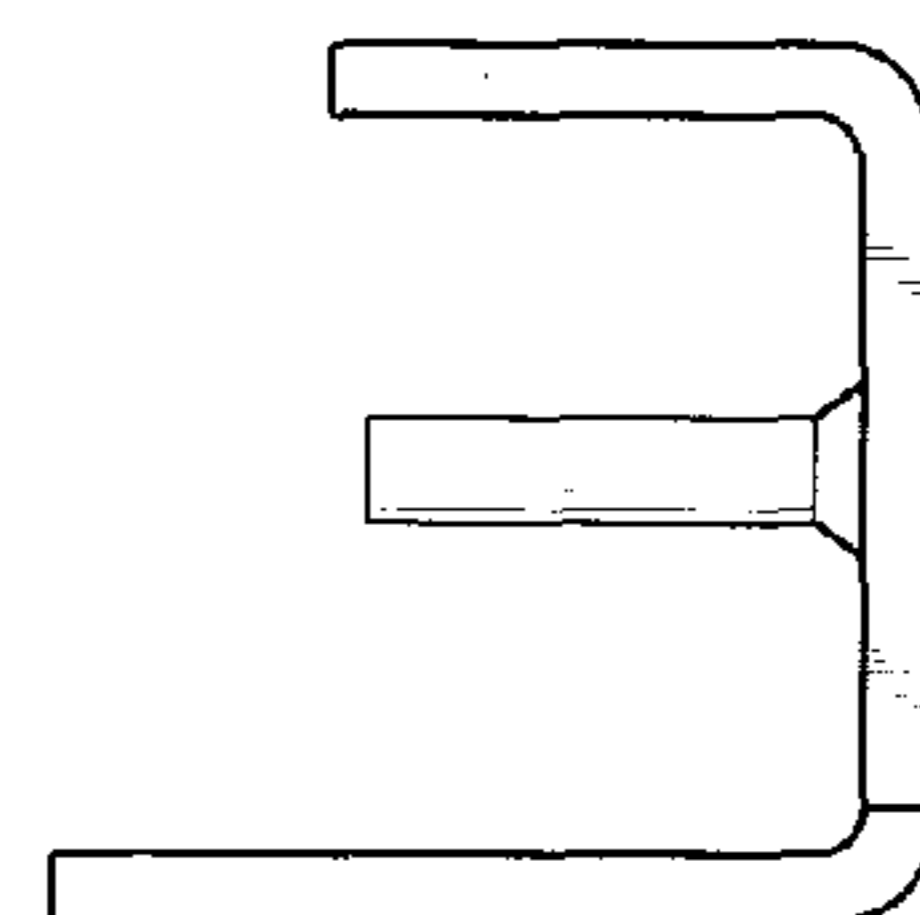


FIG. 8