



US00D631816S

(12) **United States Design Patent**
Foose

(10) **Patent No.:** **US D631,816 S**
(45) **Date of Patent:** **** Feb. 1, 2011**

(54) **VEHICLE-WHEEL FRONT FACE**

(75) **Inventor:** **Douglas Foose**, Huntington Beach, CA (US)

(73) **Assignee:** **Hemisfear LP**, Huntington Beach, CA (US)

(**) **Term:** **14 Years**

(21) **Appl. No.:** **29/376,885**

(22) **Filed:** **Oct. 13, 2010**

(51) **LOC (9) Cl.** **12-16**

(52) **U.S. Cl.** **D12/211**

(58) **Field of Classification Search** D12/204–213;
301/37.101, 64.101, 65, 64.201

See application file for complete search history.

(56) **References Cited**

U.S. PATENT DOCUMENTS

D432,974 S *	10/2000	Jablonski	D12/211
D469,048 S *	1/2003	van Hooydonk	D12/209
D492,235 S *	6/2004	Nordmann	D12/211
D516,982 S *	3/2006	Gallert	D12/209
D521,438 S *	5/2006	Nordmann	D12/211
D531,105 S *	10/2006	Martin	D12/209
D537,026 S *	2/2007	Nordmann	D12/209
D538,216 S *	3/2007	Sycha	D12/209
D542,728 S *	5/2007	Ichinose	D12/211
D558,118 S *	12/2007	Hueller	D12/211
D584,211 S *	1/2009	Farny	D12/211

D587,177 S *	2/2009	Scheu	D12/209
D589,428 S *	3/2009	Scheu	D12/211
D590,319 S *	4/2009	Juergens et al.	D12/211
D590,757 S *	4/2009	Froehlich	D12/209
D594,396 S *	6/2009	Juergens et al.	D12/209
D594,801 S *	6/2009	Imai	D12/211
D601,074 S *	9/2009	Buschmann	D12/209
D615,018 S *	5/2010	Truebsbach	D12/211
D619,523 S *	7/2010	Gallert	D12/209
D620,417 S *	7/2010	Gallert	D12/209
D625,235 S *	10/2010	Nissl	D12/209
D626,053 S *	10/2010	Groom	D12/211

* cited by examiner

Primary Examiner—Stacia Cadmus

(74) *Attorney, Agent, or Firm*—Christie, Parker & Hale, LLP

(57) **CLAIM**

The ornamental design for vehicle-wheel front face, as shown and described.

DESCRIPTION

FIG. 1 is a perspective view of a vehicle front face according to my new design;

FIG. 2 is a front elevational view thereof; and,

FIG. 3 is a side elevational view thereof.

The broken line showing of the five bolt holes and the side of the wheel is included for the purpose of illustrating environment and forms no part of the claimed design.

1 Claim, 3 Drawing Sheets

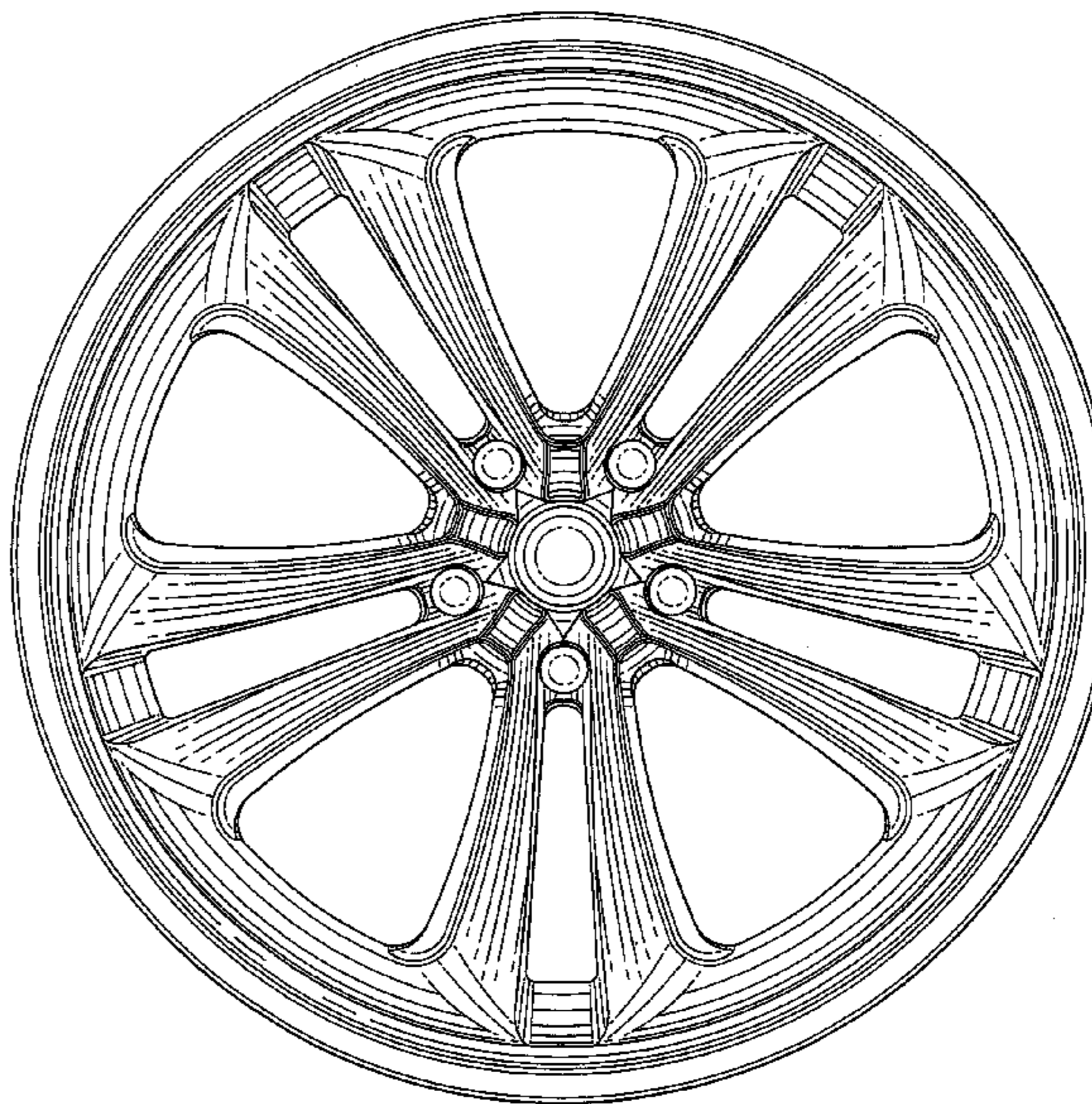
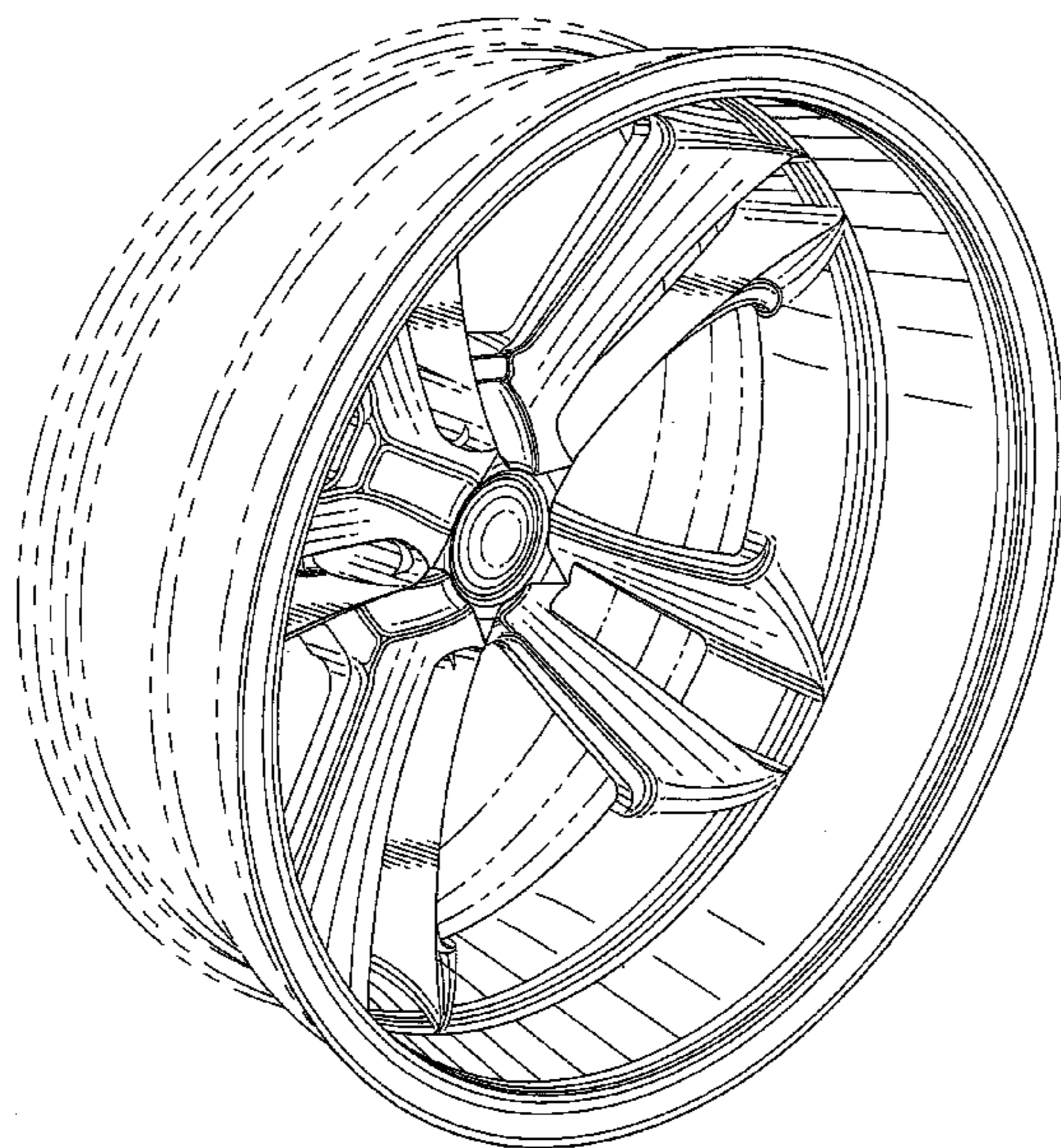


FIG. 1

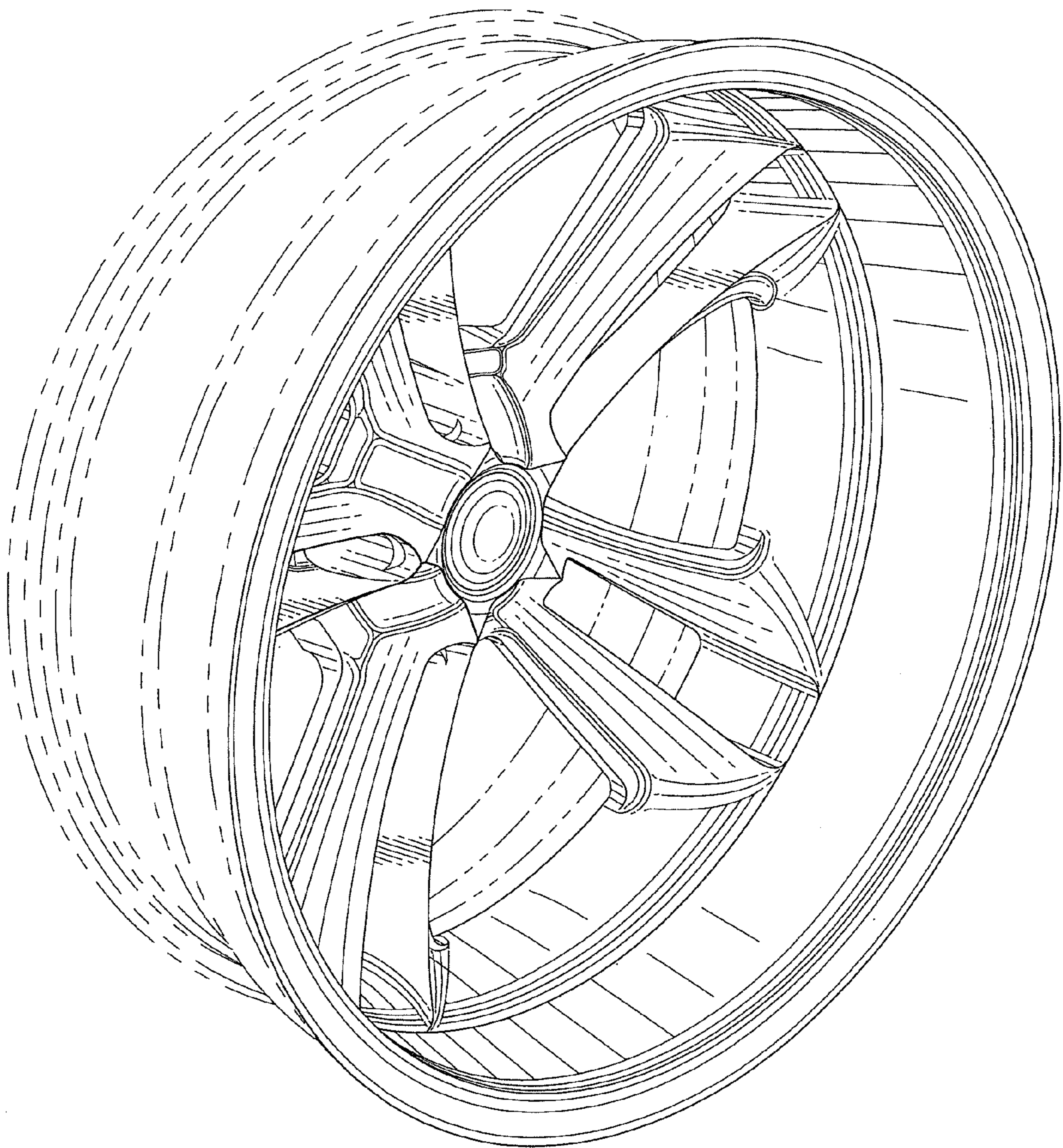


FIG. 2

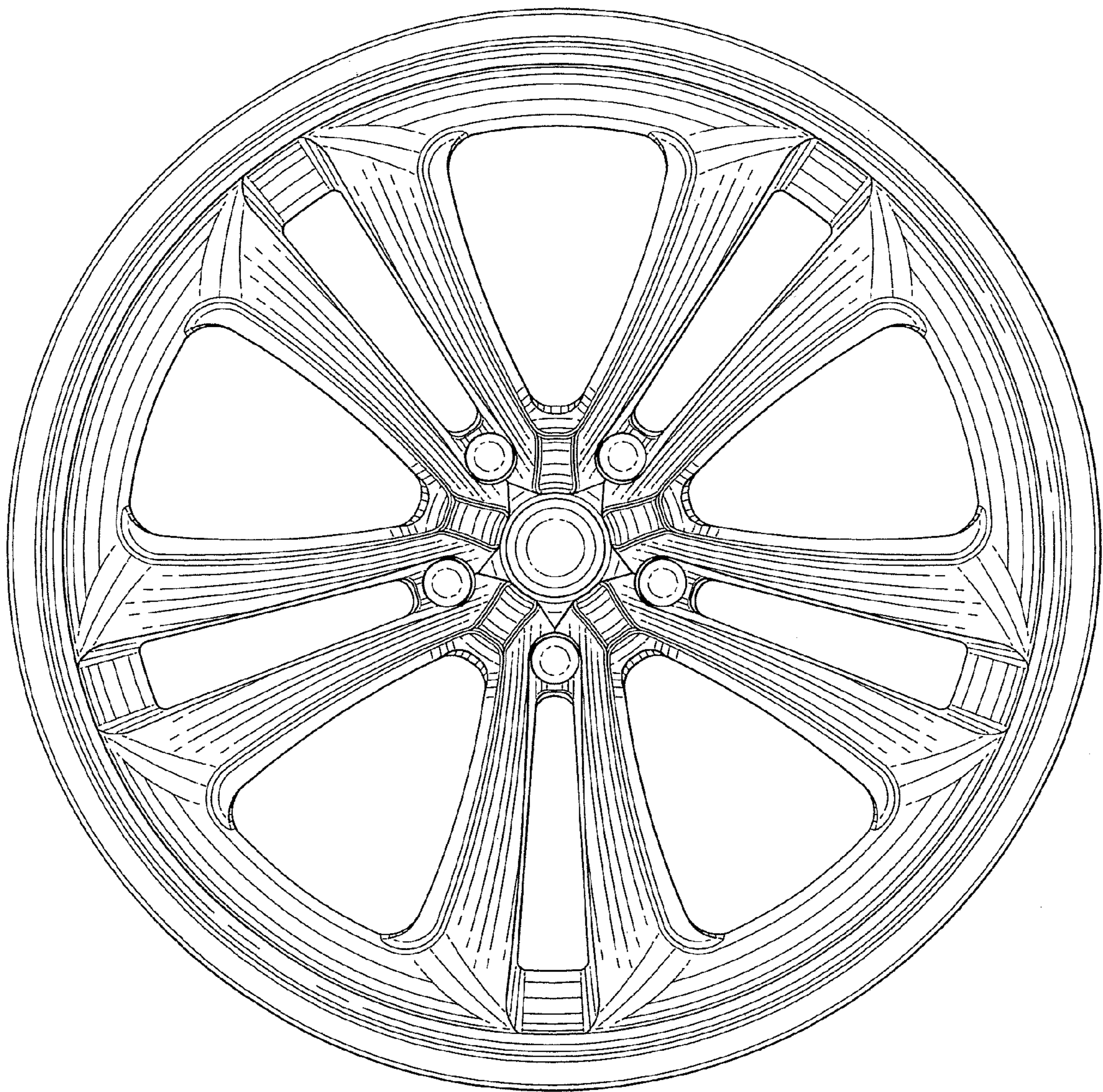


FIG. 3

