



US00D631814S

(12) **United States Design Patent**
Baum

(10) **Patent No.:** **US D631,814 S**

(45) **Date of Patent:** **** *Feb. 1, 2011**

(54) **WHEEL OR WHEEL COVER**

(75) Inventor: **Stephan Baum**, Olching (DE)

(73) Assignee: **Bayerische Motoren Werke
Aktiengesellschaft**, Munich (DE)

(**) Term: **14 Years**

(21) Appl. No.: **29/361,069**

(22) Filed: **May 5, 2010**

(30) **Foreign Application Priority Data**

Nov. 6, 2009 (DE) 402009005430

(51) **LOC (9) Cl.** **12-16**

(52) **U.S. Cl.** **D12/209**

(58) **Field of Classification Search** D12/204-213;
301/37.101, 64.101, 65, 64.201
See application file for complete search history.

(56) **References Cited**

U.S. PATENT DOCUMENTS

D371,100 S *	6/1996	Hatter	D12/209
D402,249 S *	12/1998	Kulla	D12/209
D404,702 S *	1/1999	Celeste	D12/211
D409,966 S *	5/1999	Chung	D12/209
D425,470 S *	5/2000	Pfeiffer et al.	D12/209
D441,338 S *	5/2001	Hussaini et al.	D12/209
D445,391 S *	7/2001	Chung	D12/209
D451,460 S *	12/2001	Arellano	D12/209
D454,823 S *	3/2002	McMath	D12/209
D460,397 S *	7/2002	Bintoro	D12/209

D472,509 S *	4/2003	Laengerer	D12/209
D581,337 S *	11/2008	Juergens et al.	D12/209
D584,209 S *	1/2009	Klimas	D12/209
D617,717 S	6/2010	Nordmann		
D619,524 S *	7/2010	Gabath	D12/209
D619,951 S	7/2010	Baum		

FOREIGN PATENT DOCUMENTS

EM	000889951-0001	4/2008
EM	001621541-0002	10/2009
EM	001635897-0002	11/2009
EM	001635897-0003	11/2009
EM	001635897-0004	11/2009

* cited by examiner

Primary Examiner—Stacia Cadmus

(74) *Attorney, Agent, or Firm*—Crowell & Moring LLP

(57) **CLAIM**

The ornamental design for a wheel or wheel cover, as shown and described.

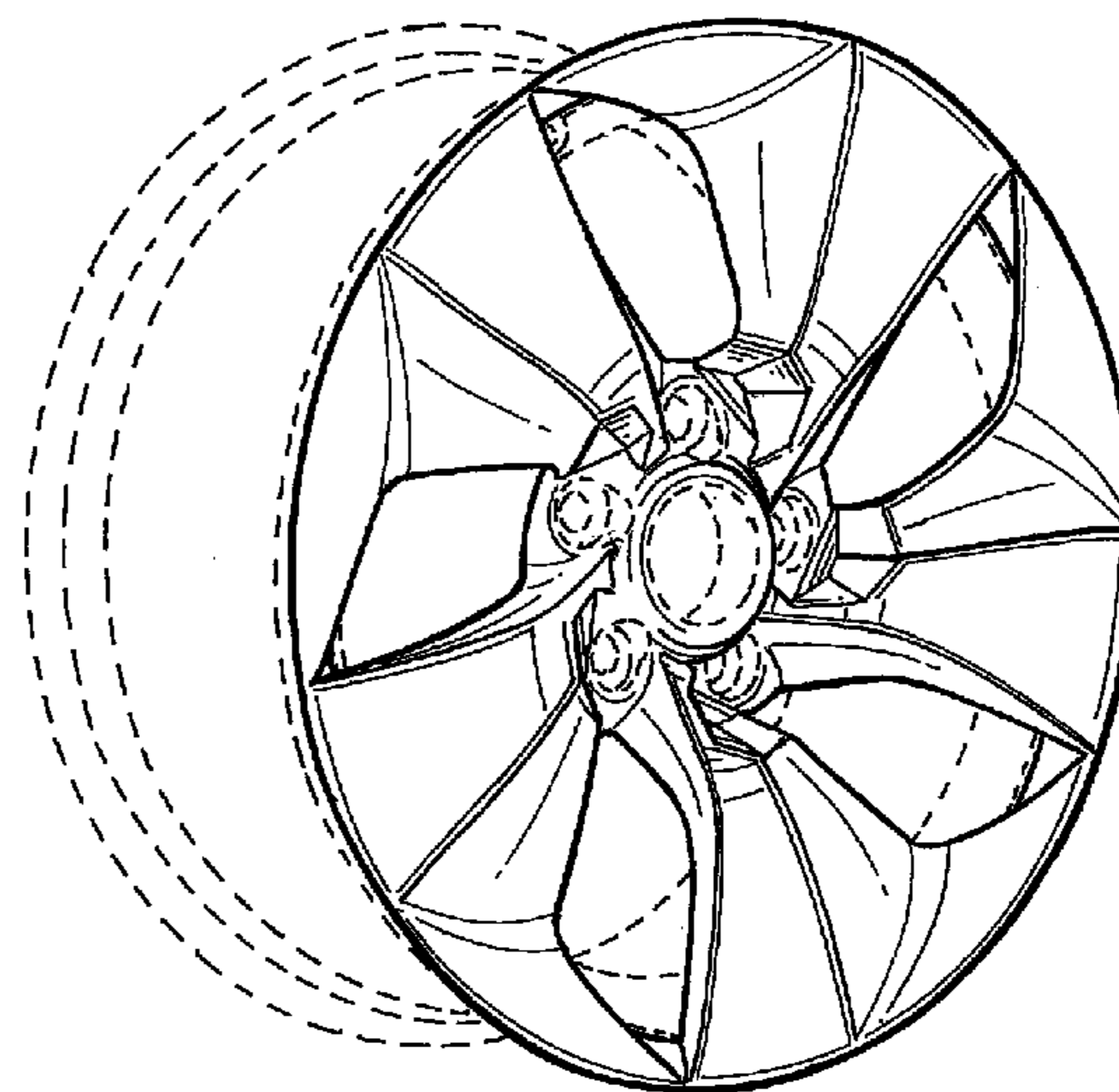
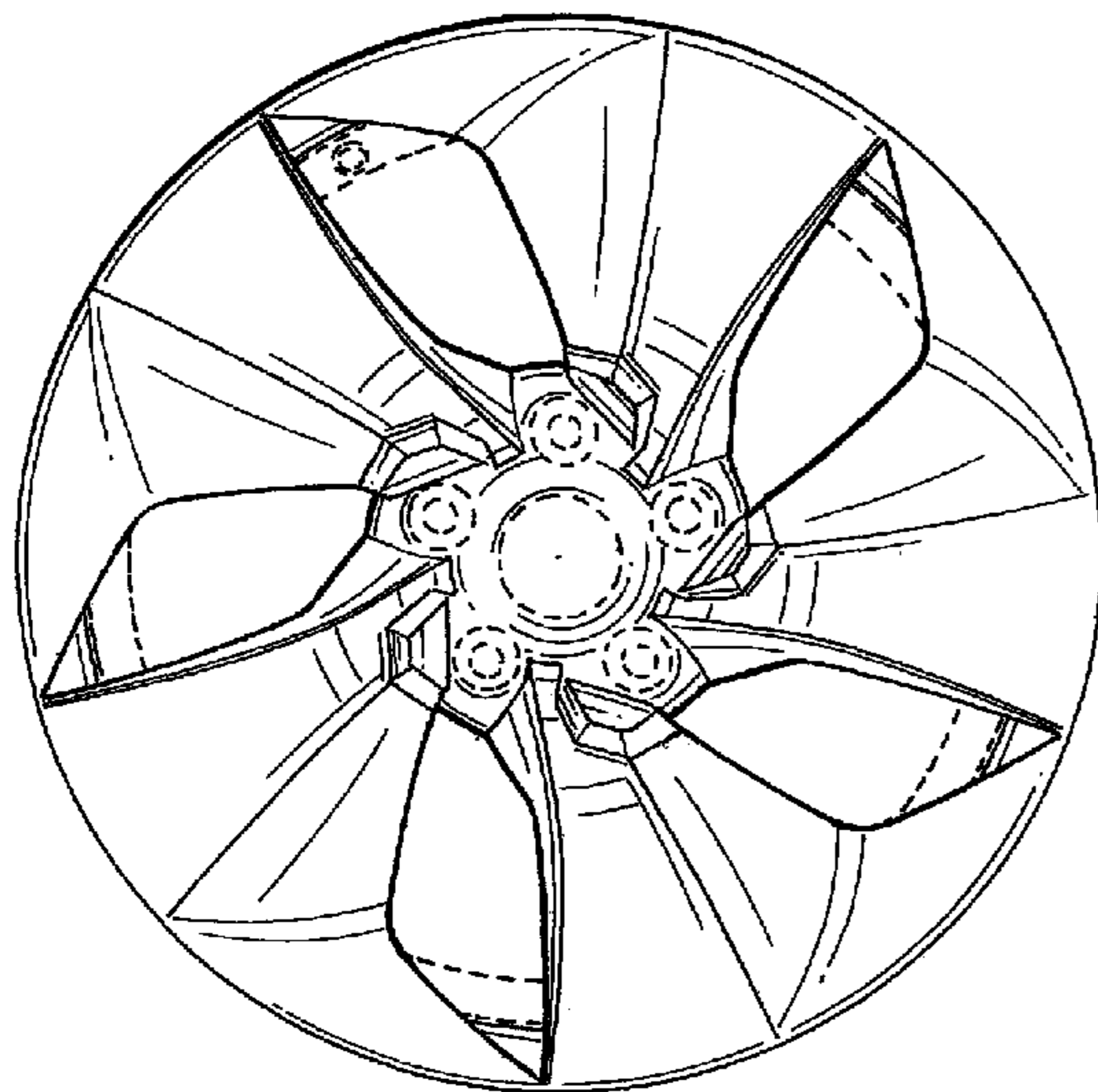
DESCRIPTION

FIG. 1 is a front view of a wheel or wheel cover according to my design; and,

FIG. 2 is a perspective view thereof.

The broken line showing of the rear of the rim and the bolt holes and center hole in the central hub area is included for the purpose of illustrating environment and forms no part of the claimed design.

1 Claim, 1 Drawing Sheet



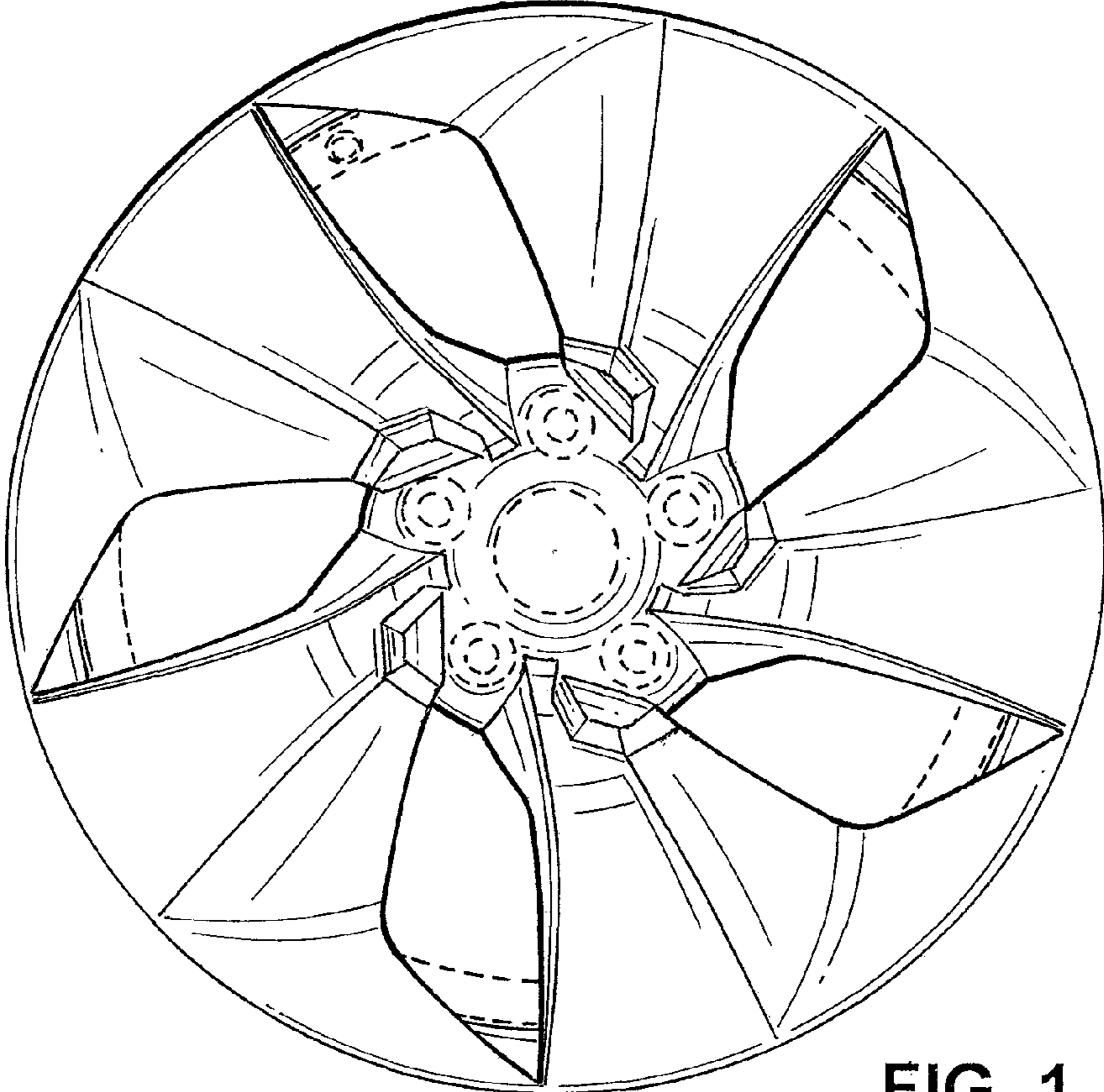


FIG. 1

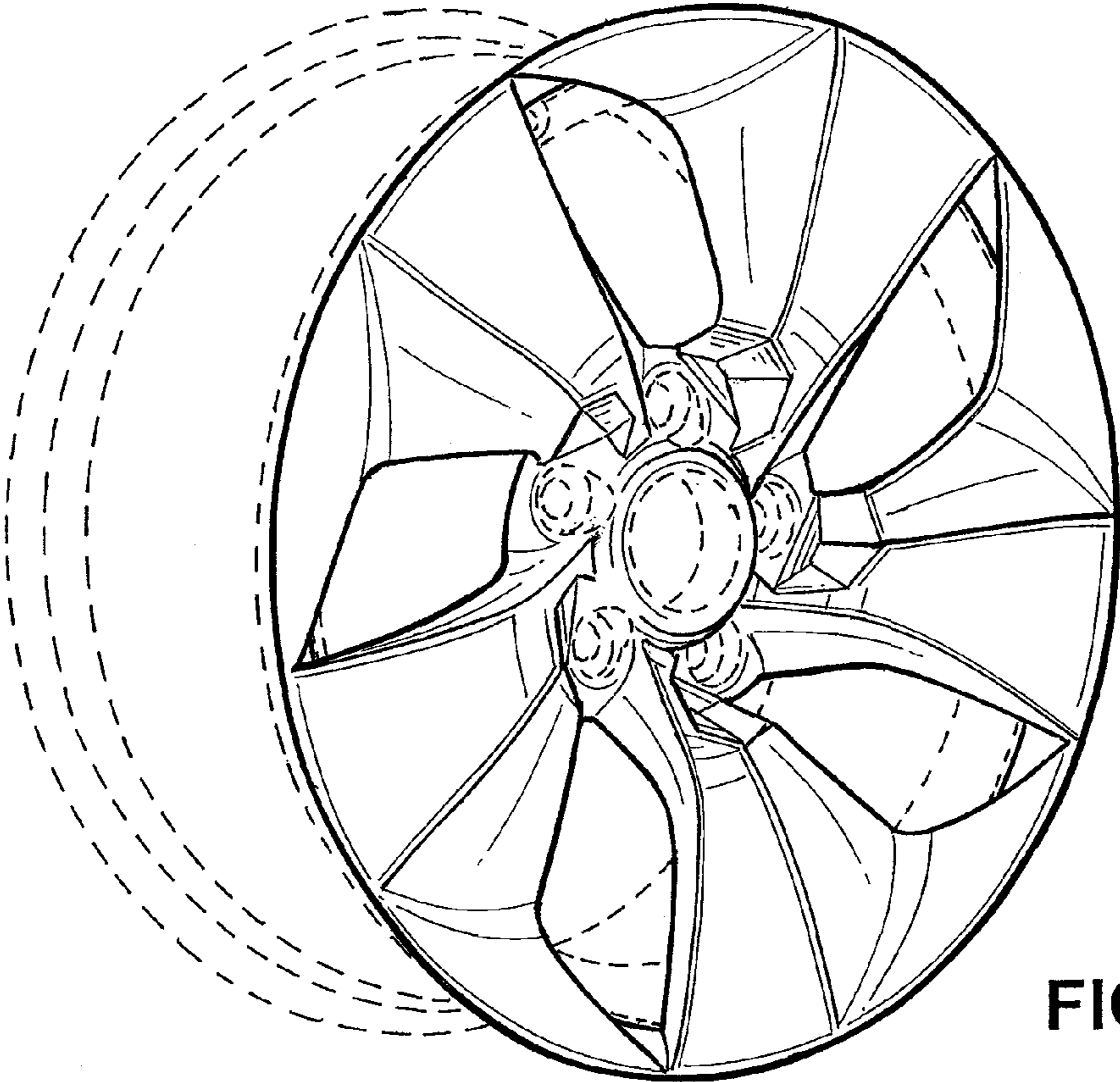


FIG. 2