



US00D631811S

(12) **United States Design Patent**
Schneider

(10) **Patent No.:** **US D631,811 S**

(45) **Date of Patent:** **** Feb. 1, 2011**

(54) **DOOR FOR A VEHICLE**

(74) *Attorney, Agent, or Firm*—Crowell & Moring LLP

(75) Inventor: **Alexander Schneider**, Munich (DE)

(57) **CLAIM**

(73) Assignee: **Bayerische Motoren Werke Aktiengesellschaft**, Munich (DE)

The ornamental design for a door for a vehicle, as shown and described.

(**) Term: **14 Years**

DESCRIPTION

(21) Appl. No.: **29/347,790**

This application contains subject matter related to the following co-pending U.S. design patent application: application Ser. No. 29/347,801, filed herewith and entitled "Vehicle, Toy, and/or Replicas Thereof".

(22) Filed: **Jun. 7, 2010**

(30) **Foreign Application Priority Data**

Dec. 8, 2009 (DE) 402009006095

FIG. 1 is a left perspective view of an embodiment of a door for a vehicle according to my design;

(51) **LOC (9) Cl.** **12-16**

FIG. 2 is a right perspective view thereof;

(52) **U.S. Cl.** **D12/196**

FIG. 3 is a front view thereof;

(58) **Field of Classification Search** D12/196,
D12/90-92, 86; 296/181.1, 181.5
See application file for complete search history.

FIG. 4 is a left side view thereof; and

FIG. 5 is a top view thereof.

(56) **References Cited**

FIG. 6 is a right perspective view of a second embodiment of the door for a vehicle according to my design;

U.S. PATENT DOCUMENTS

FIG. 7 is a left perspective view of FIG. 6;

D491,860 S * 6/2004 Velazco D12/196

FIG. 8 is a front view of FIG. 6;

D500,973 S * 1/2005 Otto et al. D12/196

FIG. 9 is a right side view of FIG. 6; and,

D558,112 S * 12/2007 Leclercq et al. D12/196

FIG. 10 is a top view of FIG. 6.

D580,331 S * 11/2008 Gueler et al. D12/196

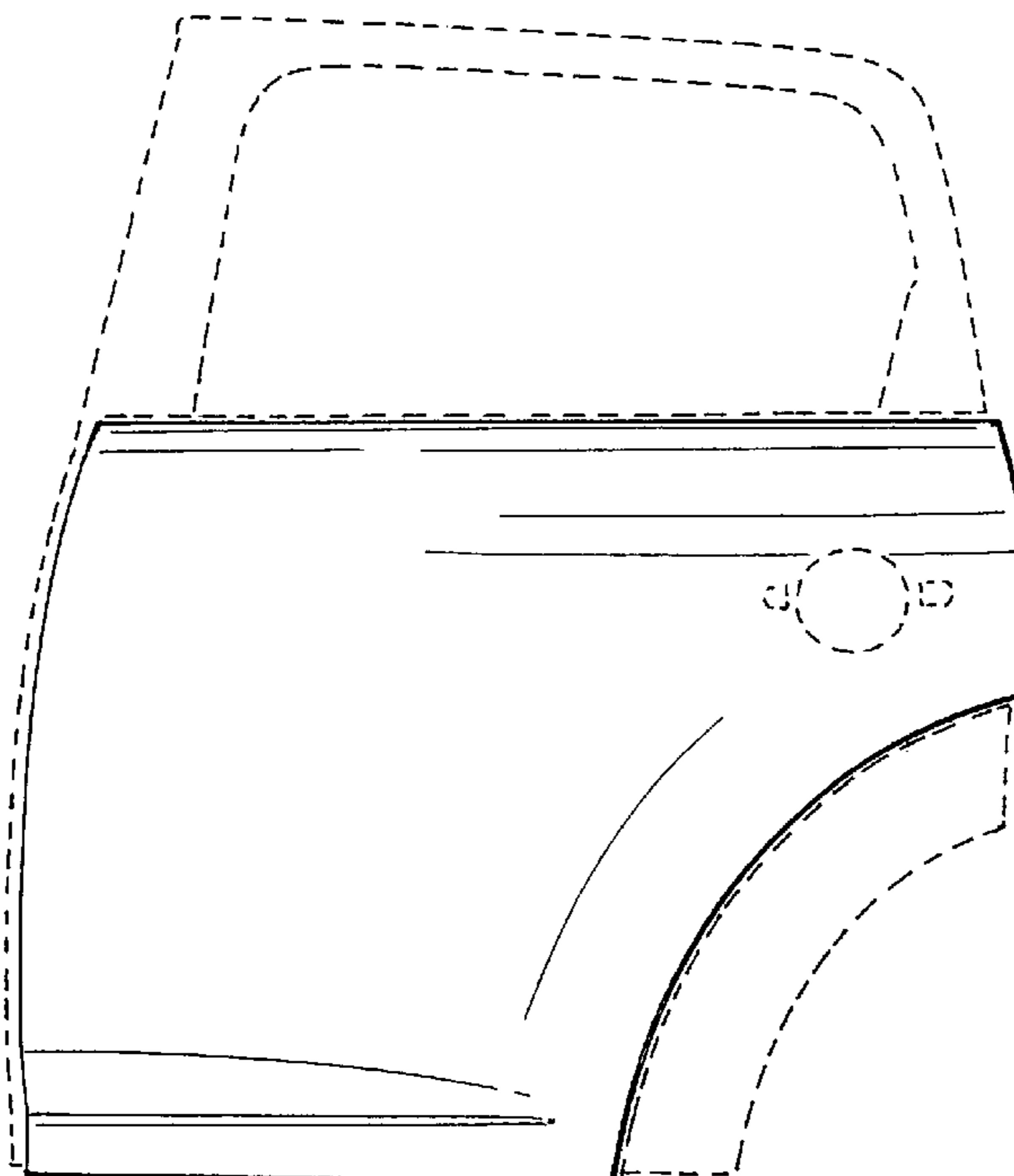
The broken lines are for illustrative purposes only and form no part of the claimed design.

D621,764 S * 8/2010 Huet D12/196

* cited by examiner

Primary Examiner—Melody N Brown

1 Claim, 4 Drawing Sheets



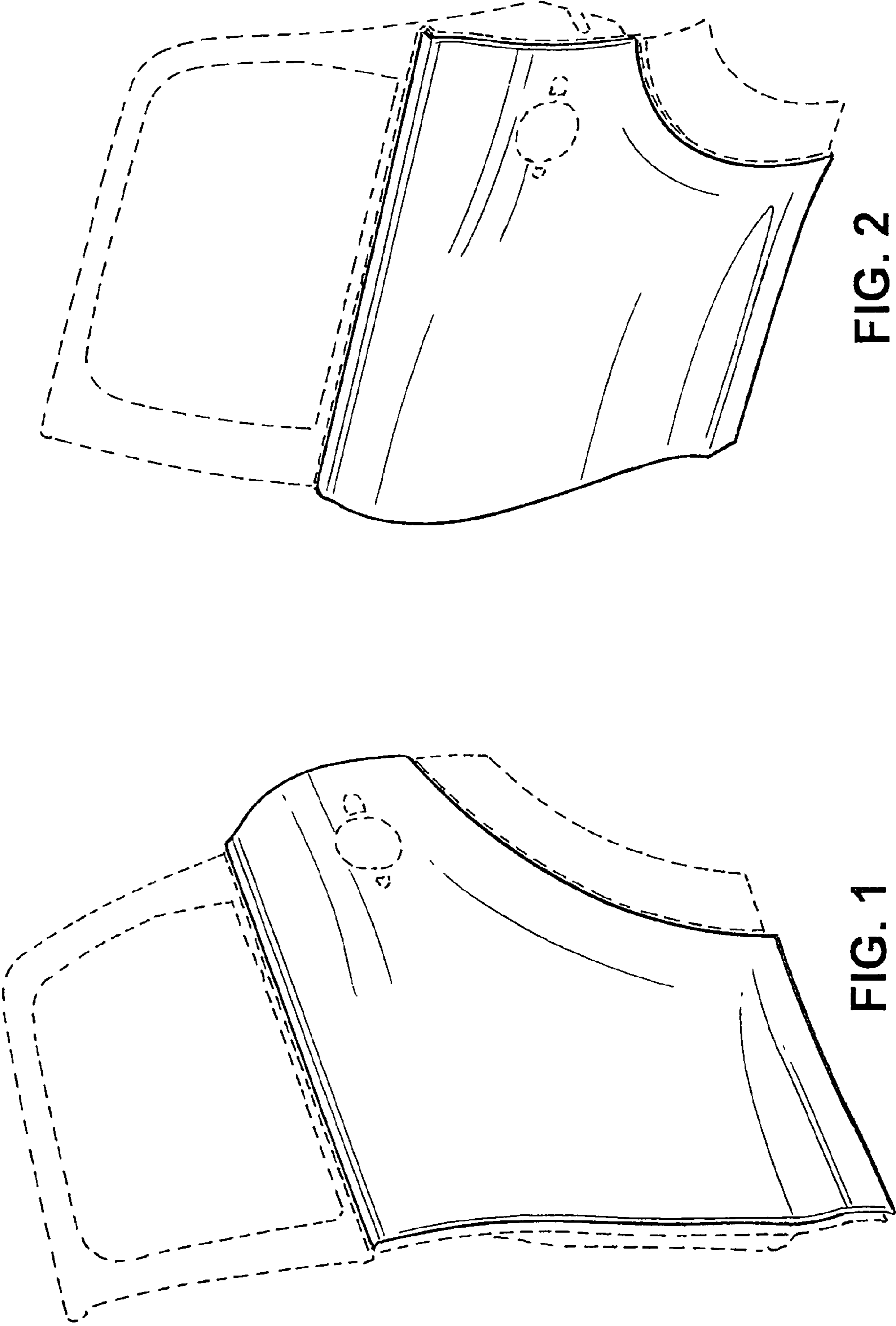


FIG. 2

FIG. 1

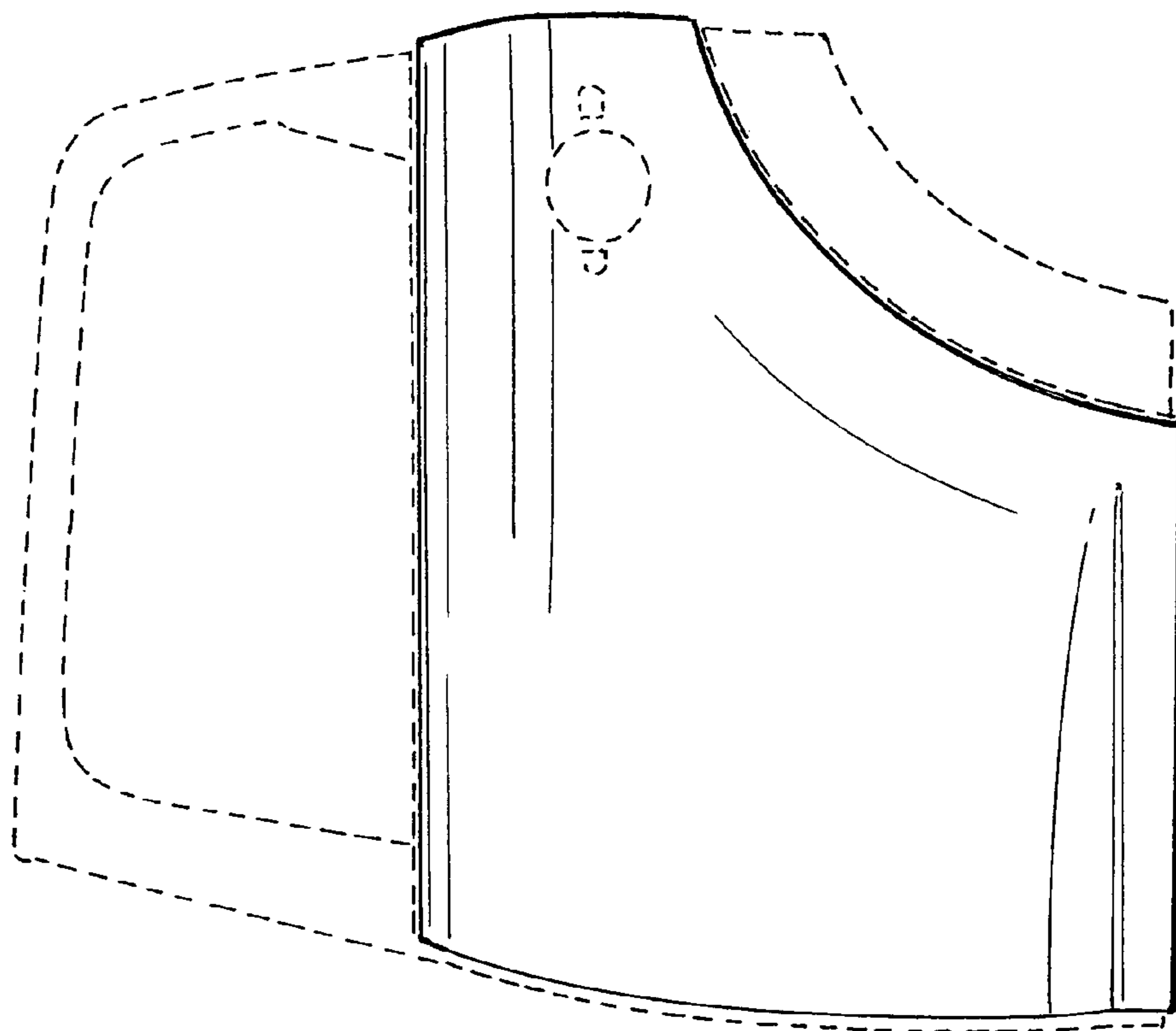


FIG. 3

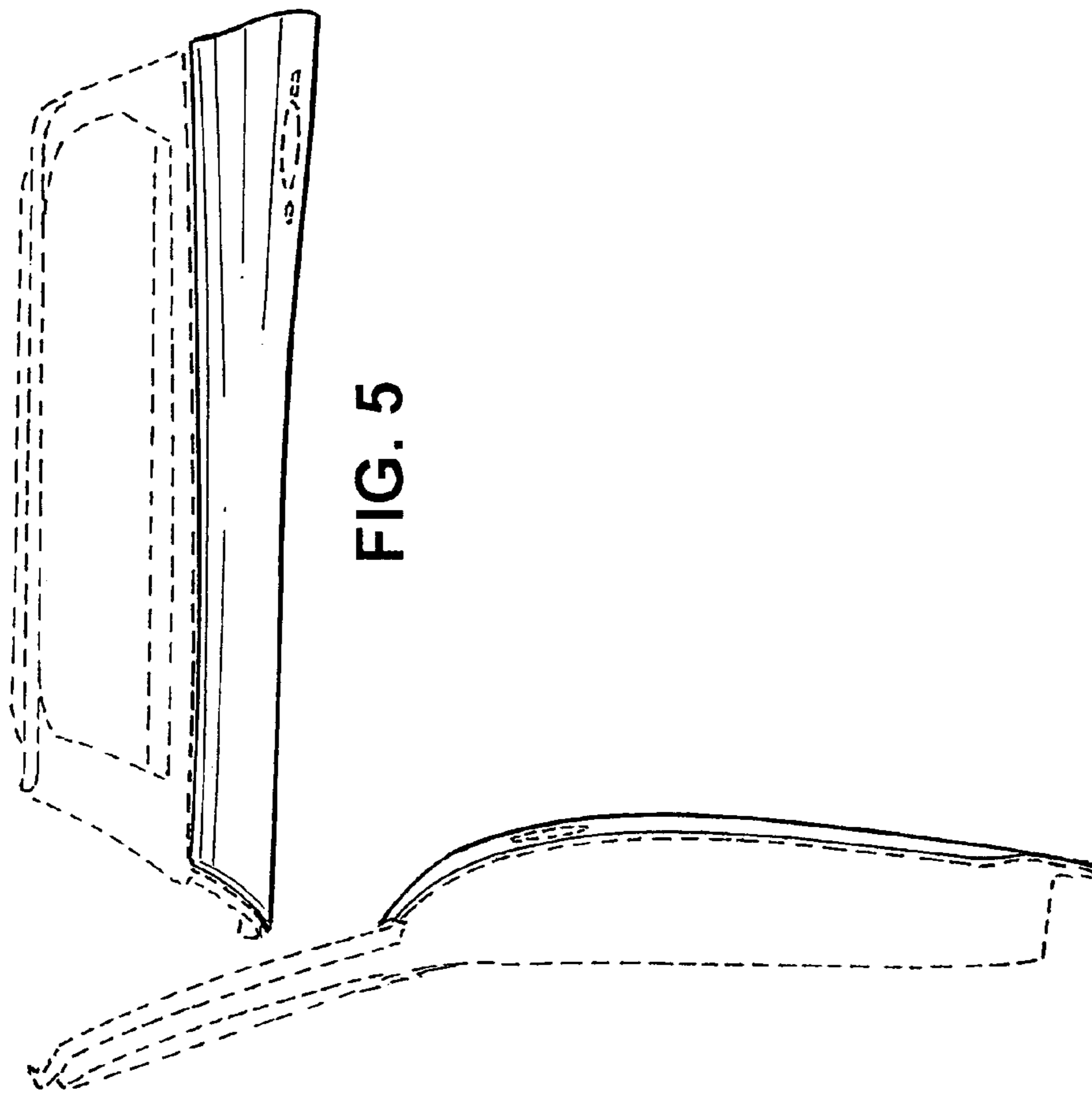


FIG. 4

FIG. 5

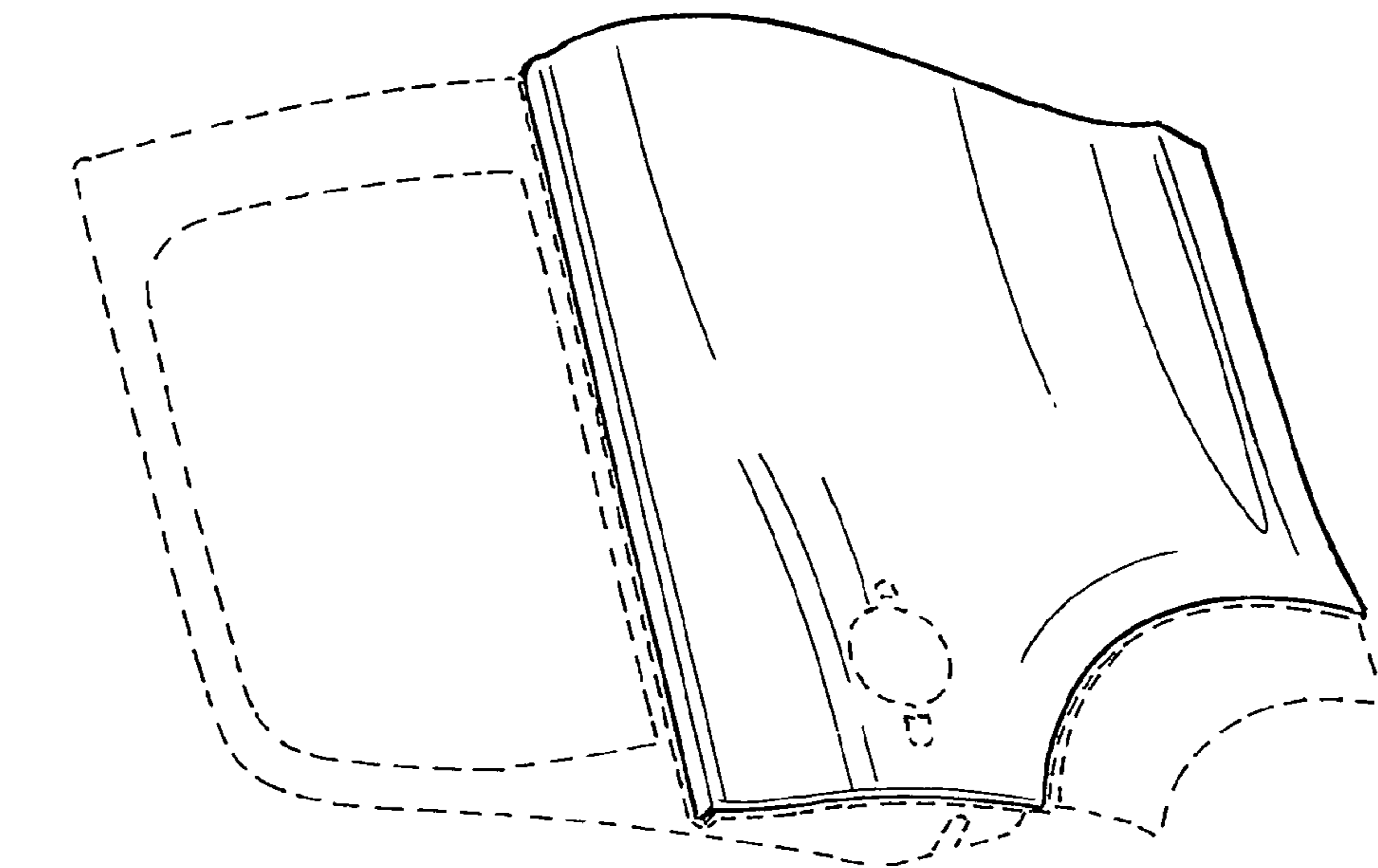


FIG. 6

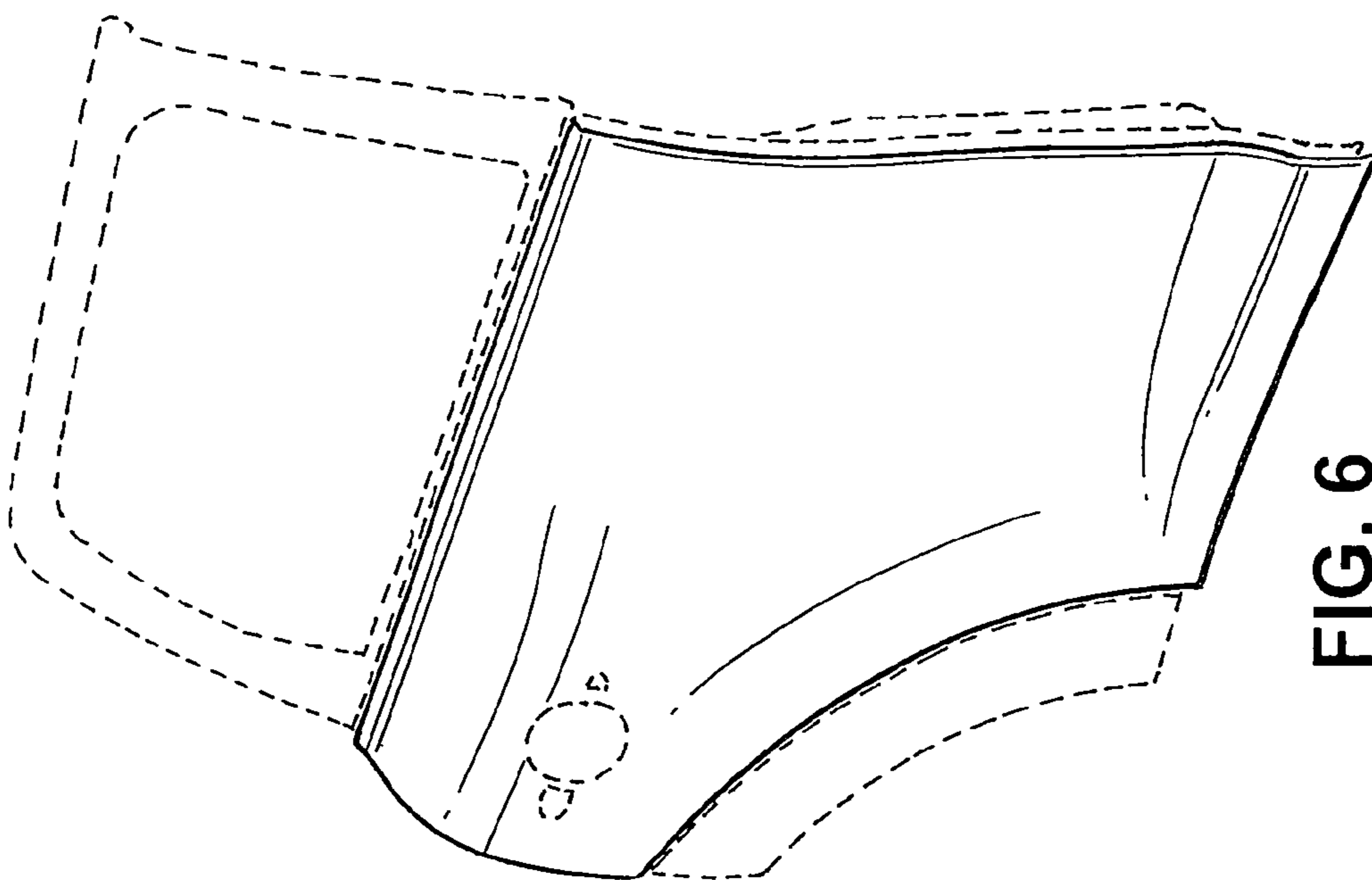


FIG. 7

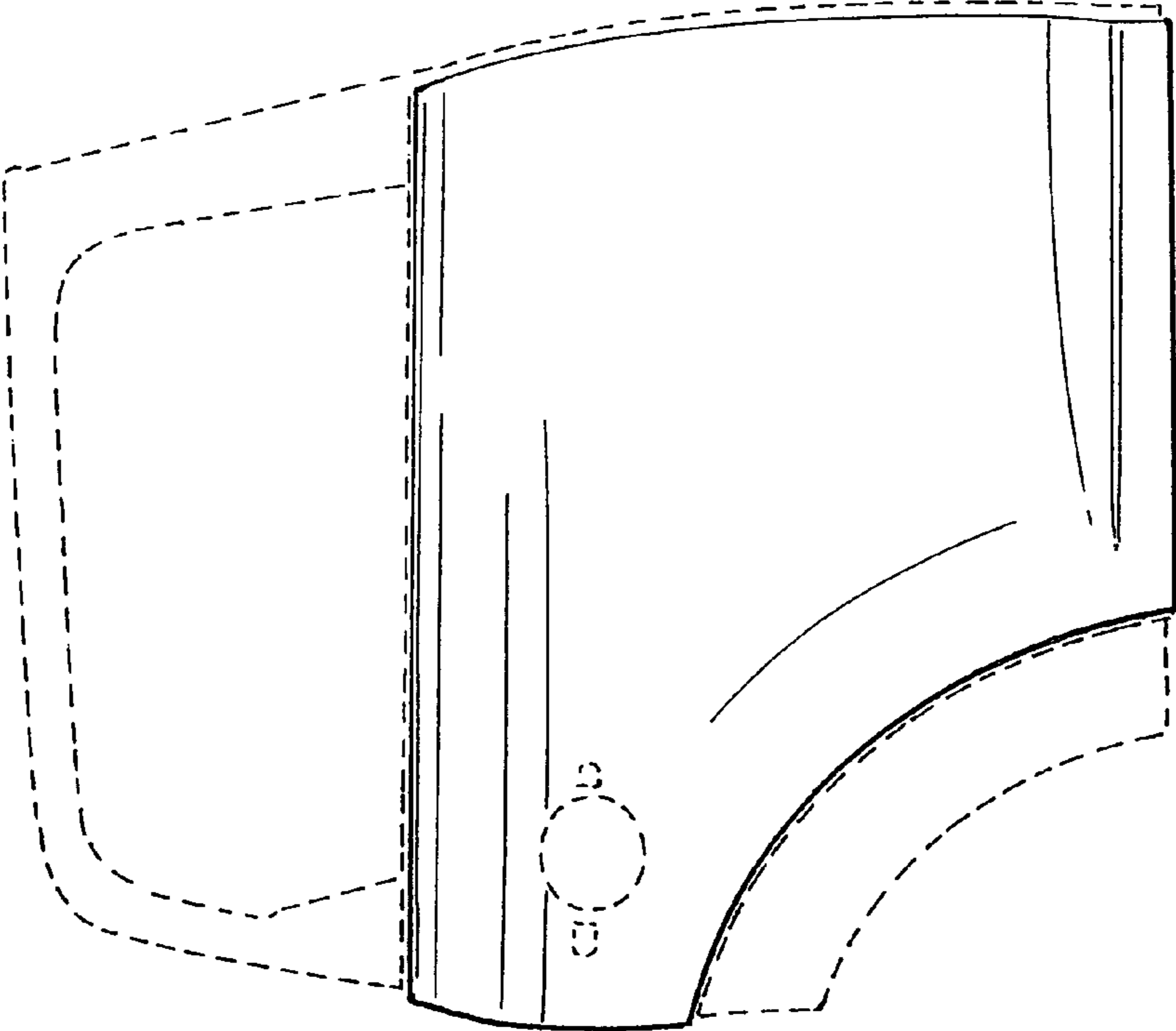


FIG. 8

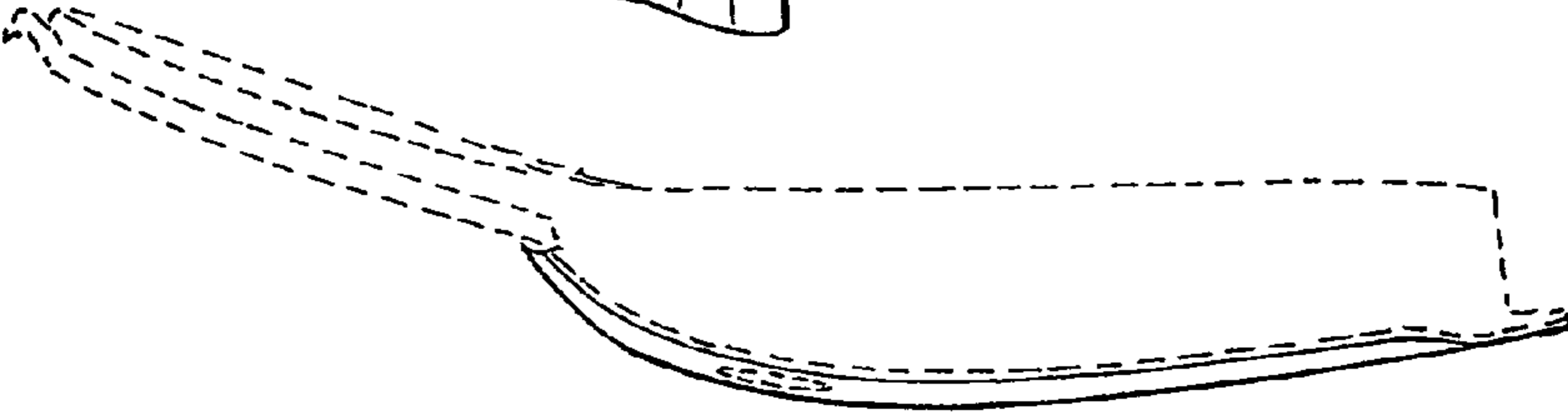


FIG. 9

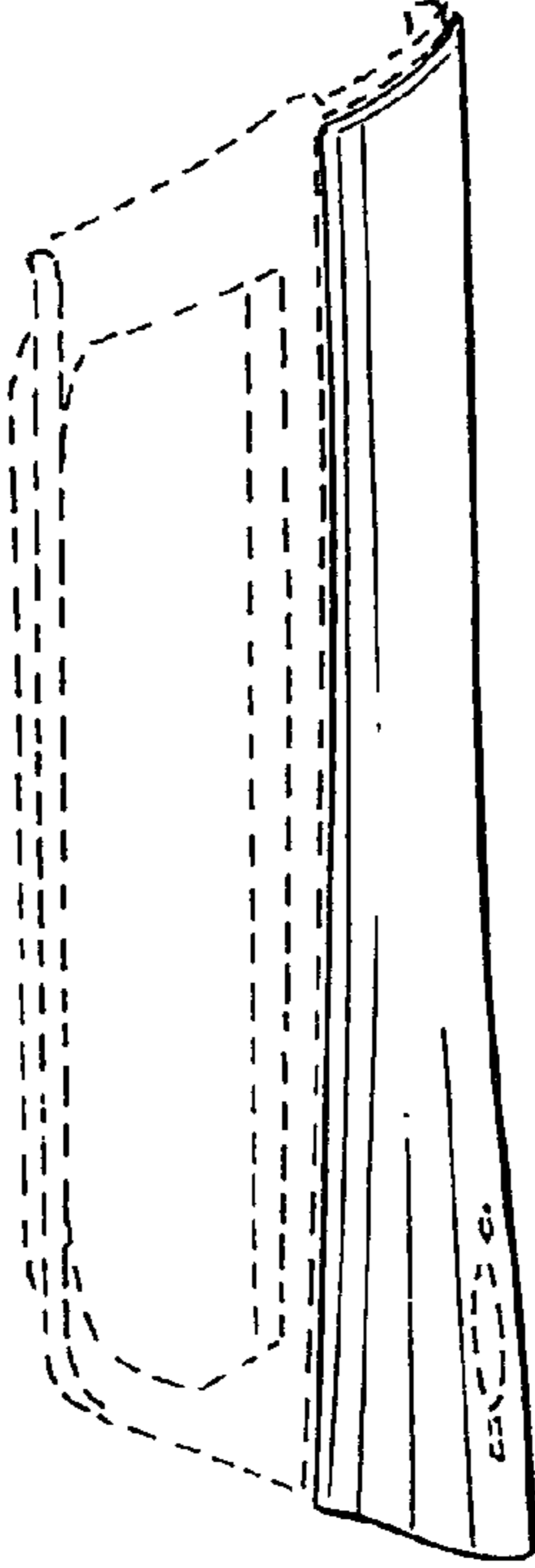


FIG. 10