



US00D631810S

(12) **United States Design Patent**  
**Grzyb et al.**

(10) **Patent No.:** **US D631,810 S**

(45) **Date of Patent:** **\*\* Feb. 1, 2011**

(54) **TABBED COVER**

(75) Inventors: **Krzysztof Grzyb**, Aurora, IL (US);  
**Mark A. Prichard**, Glen Ellyn, IL (US)

(73) Assignee: **Control Solutions LLC**, Aurora, IL (US)

(\*\*) Term: **14 Years**

(21) Appl. No.: **29/316,867**

(22) Filed: **Nov. 6, 2009**

(51) **LOC (9) Cl.** ..... **12-16**

(52) **U.S. Cl.** ..... **D12/195**

(58) **Field of Classification Search** ..... D12/195,  
D12/400, 401, 404, 406, 412, 414, 222, 223,  
D12/86, 93, 101; 224/923, 924; 211/100,  
211/124, 2, 4, 85.7; D6/552

See application file for complete search history.

(56) **References Cited**

**U.S. PATENT DOCUMENTS**

D114,448 S \* 4/1939 Hawkins ..... D12/401  
D114,482 S \* 4/1939 Hawkins ..... D12/401  
D269,007 S \* 5/1983 Rastegar ..... D12/401  
D350,108 S \* 8/1994 Blanchard ..... D12/401

D514,056 S \* 1/2006 Nadeau ..... D12/401  
D615,014 S \* 5/2010 Wiora et al. .... D12/195  
D615,015 S \* 5/2010 Wiora et al. .... D12/195

\* cited by examiner

*Primary Examiner*—Caron Veynar

*Assistant Examiner*—Katrina A Kile

(74) *Attorney, Agent, or Firm*—The Eclipse Group LLP

(57) **CLAIM**

We claim the ornamental design for a tabbed cover, as shown and described.

**DESCRIPTION**

FIG. 1 is a perspective view of the tabbed cover;

FIG. 2 is a side elevation view thereof;

FIG. 3 is a rear elevation view thereof;

FIG. 4 is a top plan view thereof;

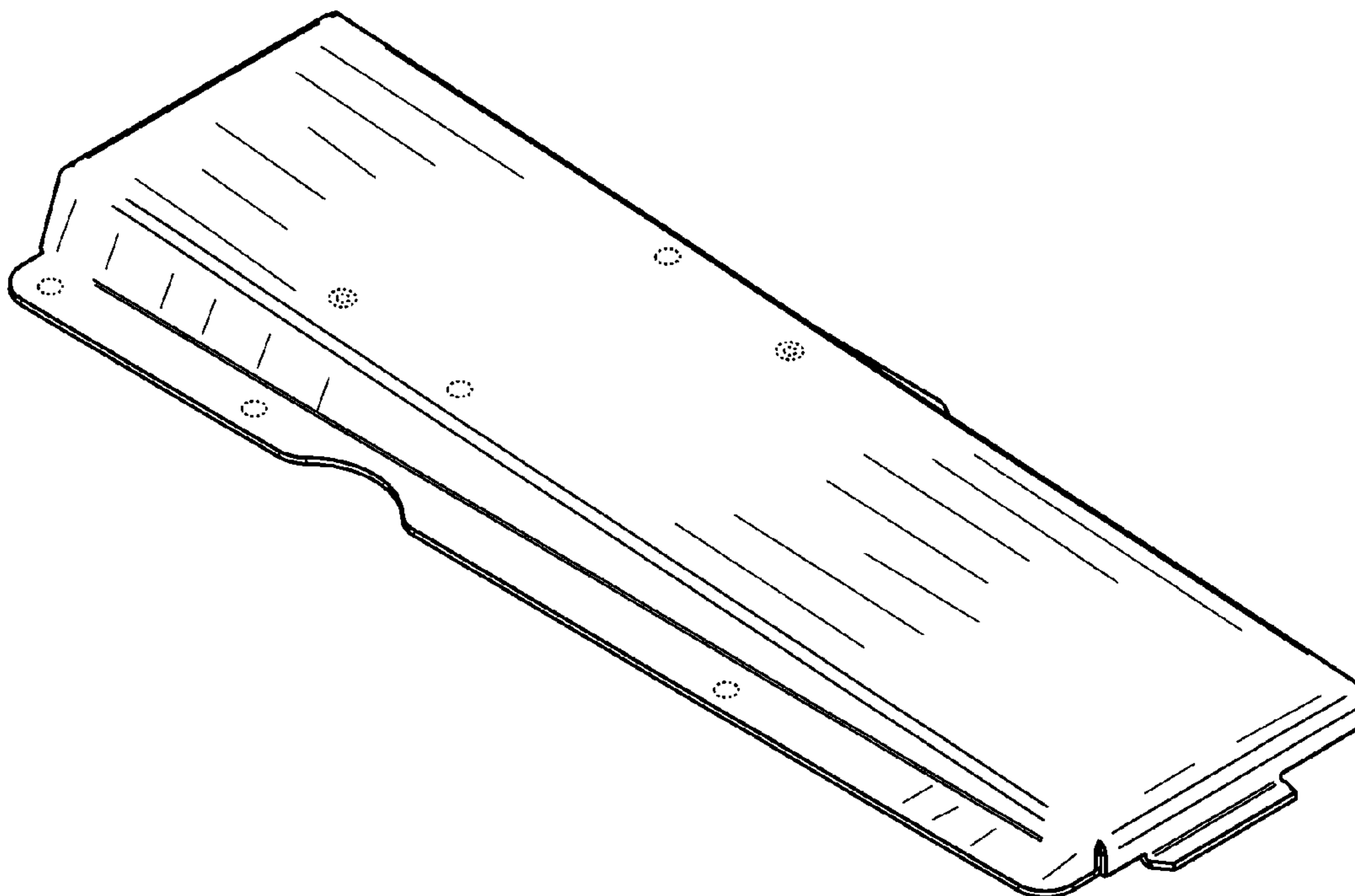
FIG. 5 is a front elevation view thereof;

FIG. 6 is a bottom plan view thereof; and,

FIG. 7 is a side elevation view thereof.

In the drawings, the broken lines depict portions of the design that form no part of the claim.

**1 Claim, 3 Drawing Sheets**



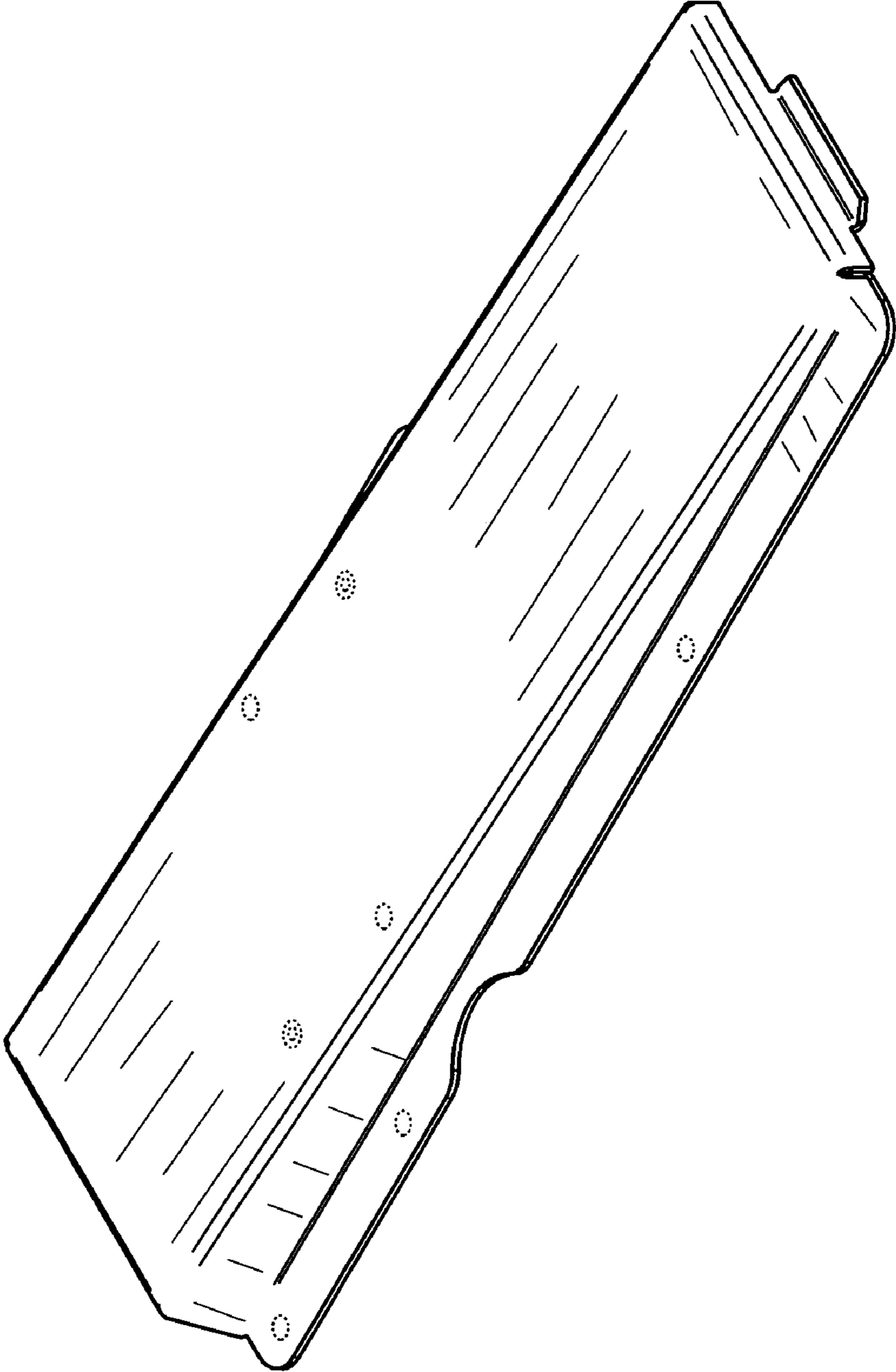


FIG. 1

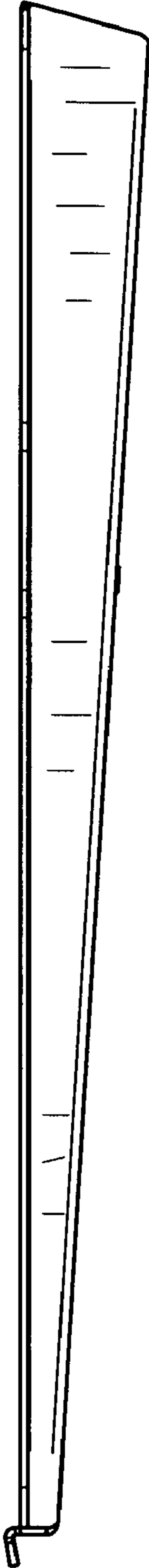


FIG. 2

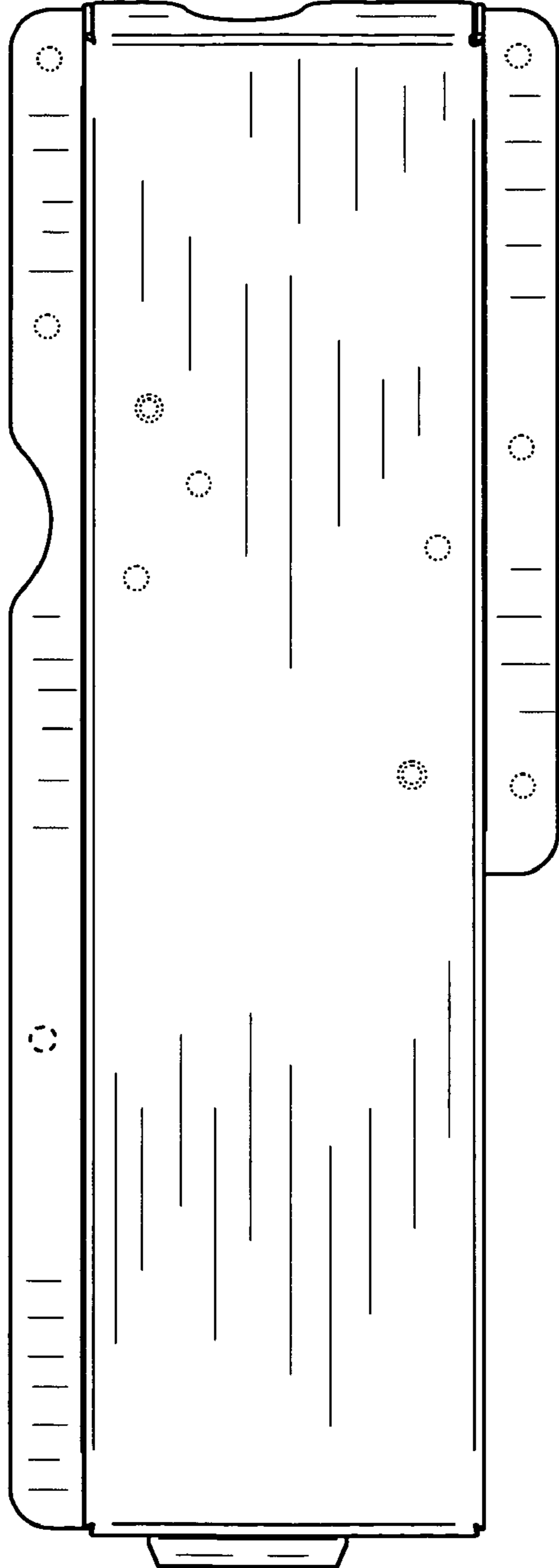


FIG. 4

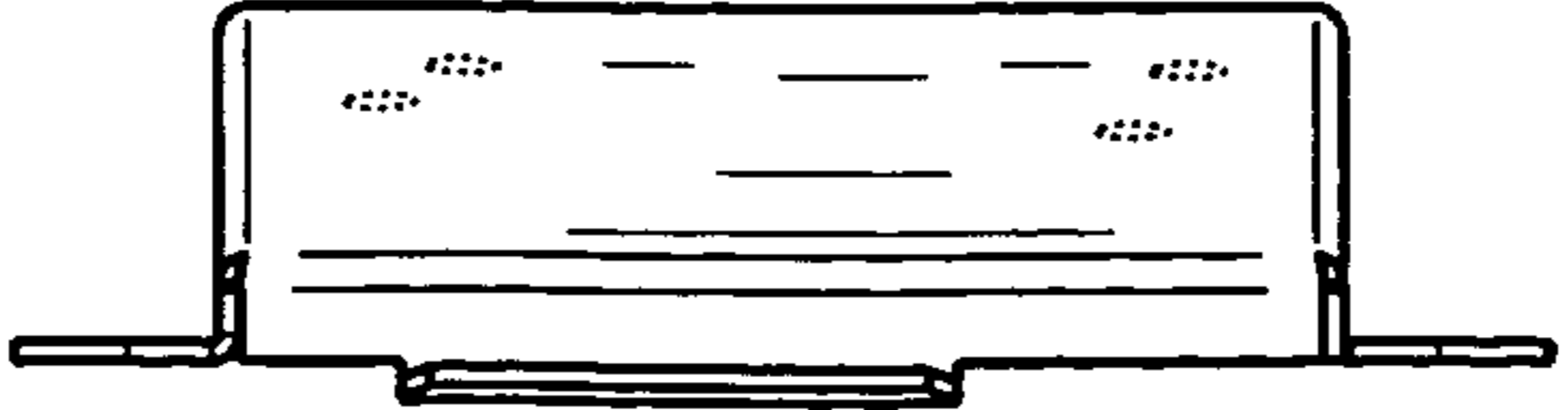


FIG. 3

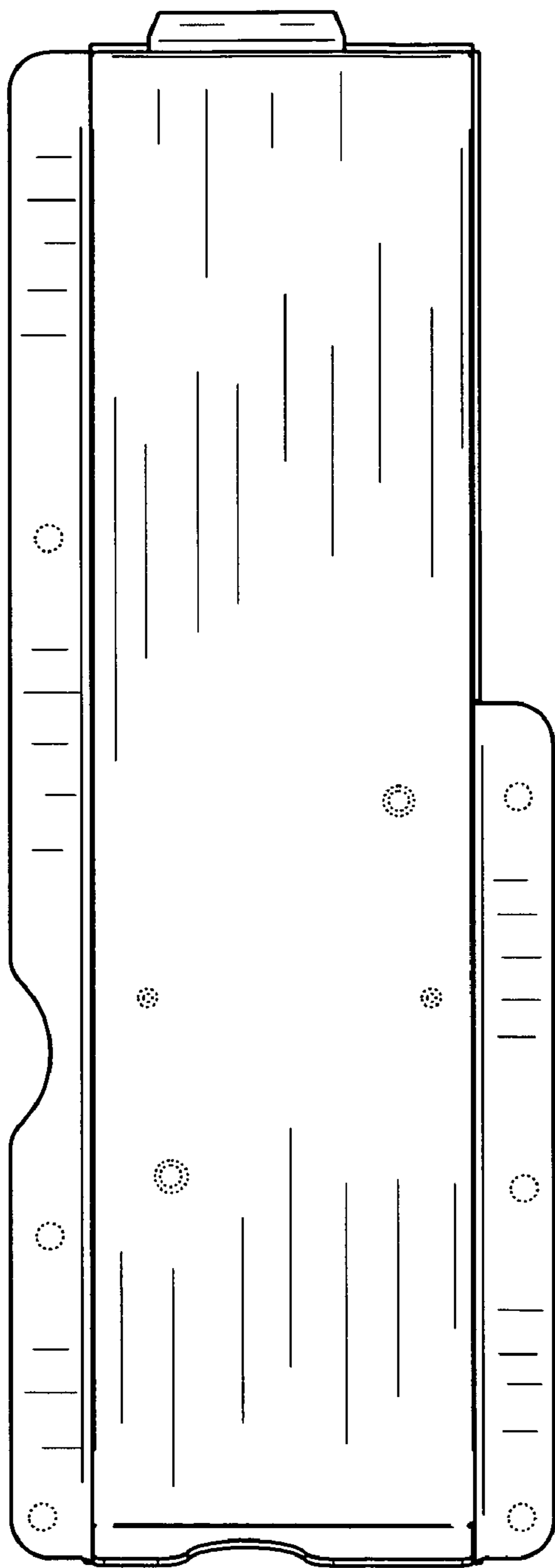


FIG. 6

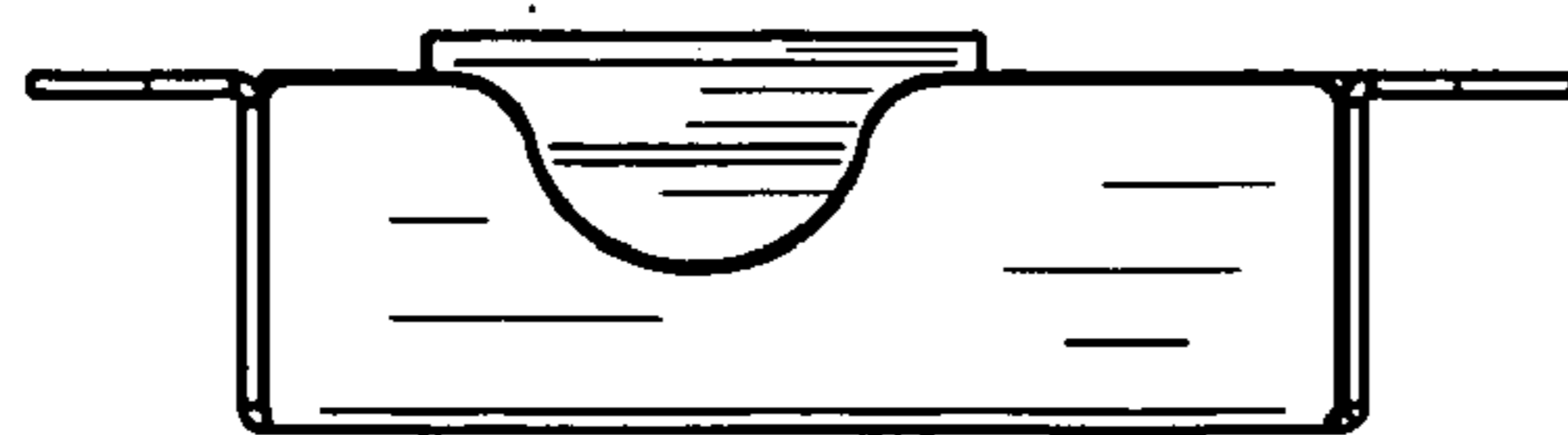


FIG. 5

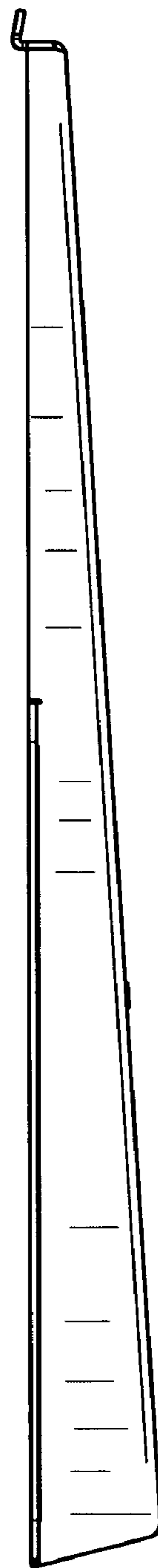


FIG. 7