



US00D631800S

(12) **United States Design Patent**
Peltola et al.

(10) **Patent No.:** **US D631,800 S**
(45) **Date of Patent:** **** Feb. 1, 2011**

(54) **TRUCK GRILLE CROWN**

OTHER PUBLICATIONS

(75) Inventors: **Wallace A. Peltola**, Sammamish, WA (US); **Jonathan Duncan**, Seattle, WA (US); **Steven L. Baker**, Duvall, WA (US); **Erik D. Hjorten**, Everett, WA (US); **Jameson L. Longman**, Bellevue, WA (US)

“AeroCab,” Kenworth Truck Company, Kirkland, Washington, 1993, 6-page brochure.
“AeroCab,” Kenworth Truck Company, Kirkland, Washington, as early as 1995, 3-page brochure.
“C500B,” Kenworth Truck Company, Kirkland, Washington, as early as 1990, 4-page brochure.

(73) Assignee: **PACCAR Inc**, Bellevue, WA (US)

(Continued)

(**) Term: **14 Years**

Primary Examiner—Melody N Brown

(21) Appl. No.: **29/360,591**

(74) *Attorney, Agent, or Firm*—Christensen O’Connor Johnson Kindness PLLC

(22) Filed: **Apr. 28, 2010**

(57) **CLAIM**

(51) **LOC (9) Cl.** **12-16**

The ornamental design for a truck grille crown, as shown and described.

(52) **U.S. Cl.** **D12/163**

(58) **Field of Classification Search** D12/93,
D12/96, 97, 163, 173; 180/68.1, 68.6, 69.1,
180/89.1, 89.12; 296/190, 193.1, 194
See application file for complete search history.

DESCRIPTION

(56) **References Cited**

U.S. PATENT DOCUMENTS

D384,019 S	9/1997	Meryman	
D391,212 S	2/1998	Meryman	
D395,860 S	7/1998	Meryman	
D403,636 S	1/1999	Meryman	
D405,037 S	2/1999	Meryman	
D411,140 S	6/1999	Meryman	
D412,874 S	8/1999	Meryman	
D423,990 S	5/2000	Meryman	
D530,247 S	10/2006	Angelo	
D539,704 S	4/2007	Angelo	
D545,251 S	6/2007	Angelo	
D545,735 S	7/2007	Angelo	
D551,133 S	9/2007	Angelo	
D601,932 S *	10/2009	Rosen et al.	D12/163
D605,986 S *	12/2009	Raghavendran et al.	D12/163
D621,754 S *	8/2010	Angelo et al.	D12/173
D622,188 S *	8/2010	Angelo et al.	D12/96

FIG. 1 is a front right perspective view of a truck grille crown showing our new design;

FIG. 2 is a front elevational view of the truck grille crown of FIG. 1;

FIG. 3 is a rear elevational view of the truck grille crown of FIG. 1;

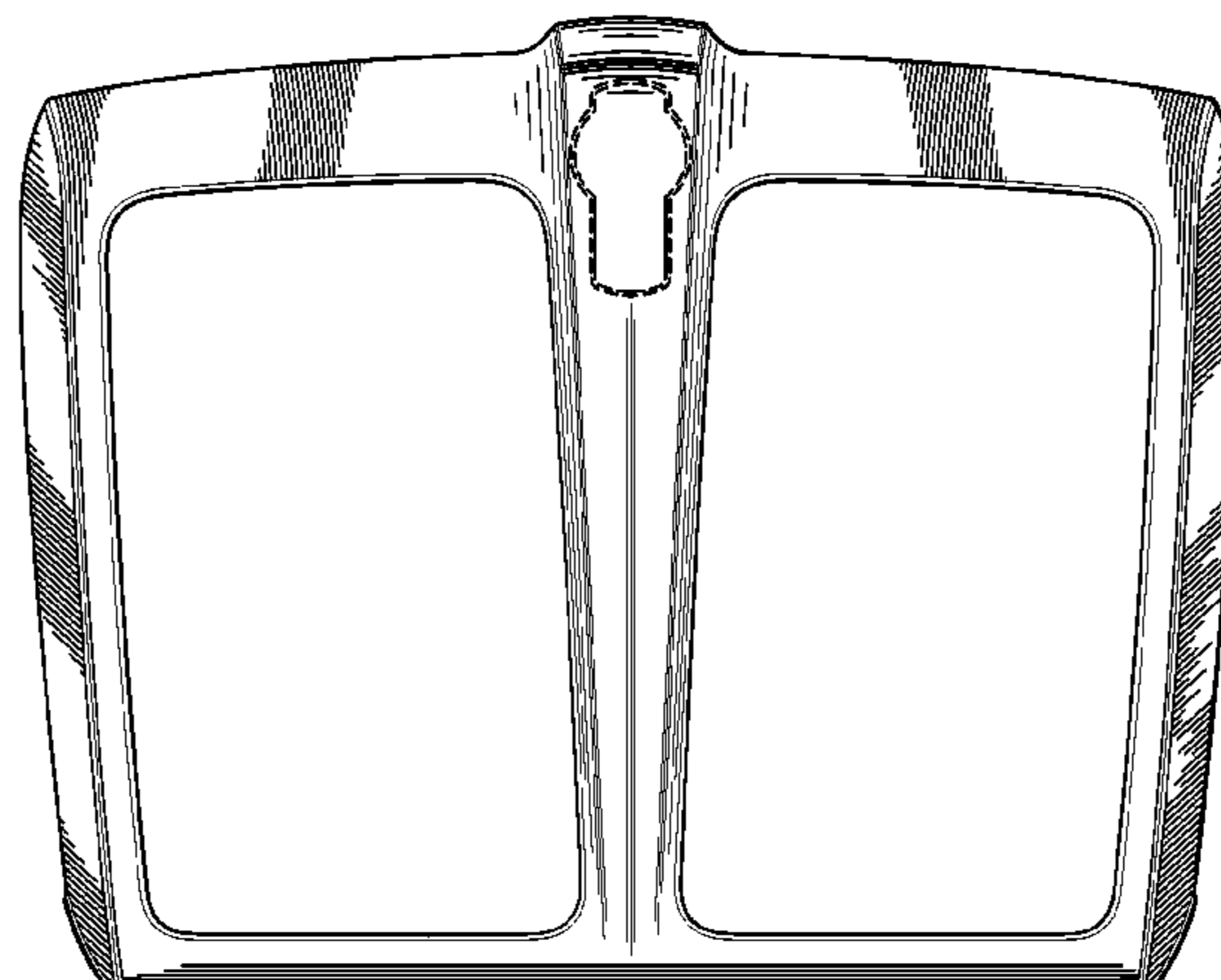
FIG. 4 is a top plan view of the truck grille crown of FIG. 1;

FIG. 5 is a bottom plan view of the truck grille crown of FIG. 1; and,

FIG. 6 is a right side elevational view of the truck grille crown of FIG. 1, the left side elevational view being mirror symmetrical to FIG. 6.

A broken-line showing of the emblem seat is for the purpose of illustrating environmental structure and forms no part of the claimed design.

1 Claim, 4 Drawing Sheets



OTHER PUBLICATIONS

“Cabovers,” Peterbilt Motors Company, Newark, California, as early as 2000, 7 page brochure.

“Class Pays, Construction Trucks,” Peterbilt Motors Company, Denton, Texas, Nov. 2003, 16-page brochure.

“Class Pays, Ergonomic Dash,” Peterbilt Motors Company, Denton, Texas, Mar. 2000, 2 page brochure.

“Class Pays, Medium Duty,” Peterbilt Motors Company, Denton, Texas, Sep. 2000, 12-page brochure.

“Class Pays, Platinum Interior,” Peterbilt Motors Company, Denton, Texas, May 2005, 4 page brochure.

“Class Pays, Refuse Trucks,” Peterbilt Motors Company, Denton, Texas, Sep. 2003, 2 page brochure.

“Class Pays, Truck Models,” Peterbilt Motors Company, Denton, Texas, Mar. 2005, 24-page brochure.

“Class Pays,” Peterbilt Motors Company, Denton, Texas, Nov. 1998, 10 page brochure.

“Class Pays,” Peterbilt Motors Company, Denton, Texas, Sep. 1997, 10-page brochure.

“Construction Trucks,” Canadian Kenworth Truck, Mississauga, Ontario, Canada, Jul. 1990, 16-page brochure.

“Interiors,” Kenworth Truck Company, Kirkland, Washington, 2005, 16-page brochure.

“K100E,” Kenworth Truck Company, Kirkland, Washington, 1984, 8-page brochure.

“Model 320,” Peterbilt Motors Company, Denton, Texas, May 1996, 2 page brochure.

“Model 330,” Peterbilt Motors Company, Denton, Texas, Oct. 1997, 3 page brochure.

“Model 357 Heavy Haul,” Peterbilt Motors Company, Denton, Texas, Mar. 2005, 2 page brochure.

“Model 357 Standard Specifications,” Peterbilt Motors Company, Newark, California, Sep. 1986, 6 page brochure.

“Model 357, New Sloped Hood,” Peterbilt Motors Company, Denton, Texas, May 2002, 2 page brochure.

“Model 357,” Peterbilt Motors Company, Denton, Texas, May 1994, 3-page brochure.

“Model 357-115,” Peterbilt Motors Company, Denton, Texas, Mar. 2005, 2 page brochure.

“Model 362,” Peterbilt Motors Company, Newark, California, 1985, 8-page brochure.

“Model 375 Standard Specifications,” Peterbilt Motors Company, Newark, California, Sep. 1986, 6 page brochure.

“Model 377A/E,” Peterbilt Motors Company, Denton, Texas, Aug. 1997, 2-page brochure.

“Model 377A/E,” Peterbilt Motors Company, Denton, Texas, Jan. 1995, 6-page brochure.

“Model 378,” Peterbilt Motors Company, Denton, Texas, Mar. 1998, 3-page brochure.

“Model 379,” Peterbilt Motors Company, Denton, Texas, Apr. 2005, 2-page brochure.

“Model 379,” Peterbilt Motors Company, Denton, Texas, Mar. 1996, 5-page brochure.

“Model 385,” Peterbilt Motors Company, Denton, Texas, Oct. 1996, 5 page brochure.

“Model 387,” Peterbilt Motors Company, Denton, Texas, Oct. 2002, 2-page brochure.

“Peterbilt Parts & Accessories,” Peterbilt Motors Company, Denton, Texas, catalog, as early as 2000, 52-page brochure.

“Rest with Class,” Peterbilt Motors Company, Newark, California, Apr. 1978, 4-page brochure.

“Studio Sleeper,” Kenworth Truck Company, Kirkland, Washington, 1993, 5-page brochure.

“T2000,” Kenworth Truck Company, Kirkland, Washington, 1999, 20-page brochure.

“T2000,” Kenworth Truck Company, Kirkland, Washington, 2002, 20-page brochure.

“T2000,” Kenworth Truck Company, Kirkland, Washington, 2005, 20-page brochure.

“T270 Class 6 and T370 Class 7,” Kenworth Truck Company, Kirkland, Washington, 2008, 6-page brochure.

“T300,” Kenworth Truck Company, Kirkland, Washington, 1994, 4-page brochure.

“T300,” Kenworth Truck Company, Kirkland, Washington, 1997, 5-page brochure.

“T300,” Kenworth Truck Company, Kirkland, Washington, 2001, 16-page brochure.

“T300,” Kenworth Truck Company, Kirkland, Washington, 2005, 16-page brochure.

“T400B and T450B,” Kenworth Truck Company, Kirkland, Washington, 1992, 10-page brochure.

“T440,” Kenworth Truck Company, Kirkland, Washington, 2010, 2-page brochure.

“T470H,” Kenworth Truck Company, Kirkland, Washington, 2009, 2-page brochure.

“T600, Ten Years of Innovation,” Kenworth Truck Company, Kirkland, Washington, 1995, 6-page brochure.

“T600,” Kenworth Truck Company, Kirkland, Washington, 1996, 7-page brochure.

“T600,” Kenworth Truck Company, Kirkland, Washington, 2002, 28-page brochure.

“T600,” Kenworth Truck Company, Kirkland, Washington, 2005, 24-page brochure.

“T600A,” Kenworth Truck Company, Kirkland, Washington, 1985, 10-page brochure.

“T660,” Kenworth Truck Company, Kirkland, Washington, 2007, 36-page brochure.

“T800,” Kenworth Truck Company, Kirkland, Washington, 1996, 7-page brochure.

“T800,” Kenworth Truck Company, Kirkland, Washington, 2002, 32-page brochure.

“T800,” Kenworth Truck Company, Kirkland, Washington, 2003, 32-page brochure.

“T800,” Kenworth Truck Company, Kirkland, Washington, 2005, 28-page brochure.

“T800B,” Kenworth Truck Company, Kirkland, Washington, 1993, 8-page brochure.

“The Working Class,” Peterbilt Motors Company, Newark, California, Sep. 1976, 6 page brochure.

“The World’s Best,” Kenworth Truck Company, Kirkland, Washington, 1992, 12-page brochure.

“Unibilt™ Cab Sleeper System,” Peterbilt Motors Company, Denton Texas, Aug. 1994, 6 page brochure.

“W900,” Kenworth Truck Company, Kirkland, Washington, 1996, 7-page brochure.

“W900,” Kenworth Truck Company, Kirkland, Washington, 2002, 32-page brochure.

“W900,” Kenworth Truck Company, Kirkland, Washington, 2005, 28-page brochure.

“W900L Aero Cab,” Kenworth Truck Company, Kirkland, Washington, 1994, 2-page brochure.

* cited by examiner

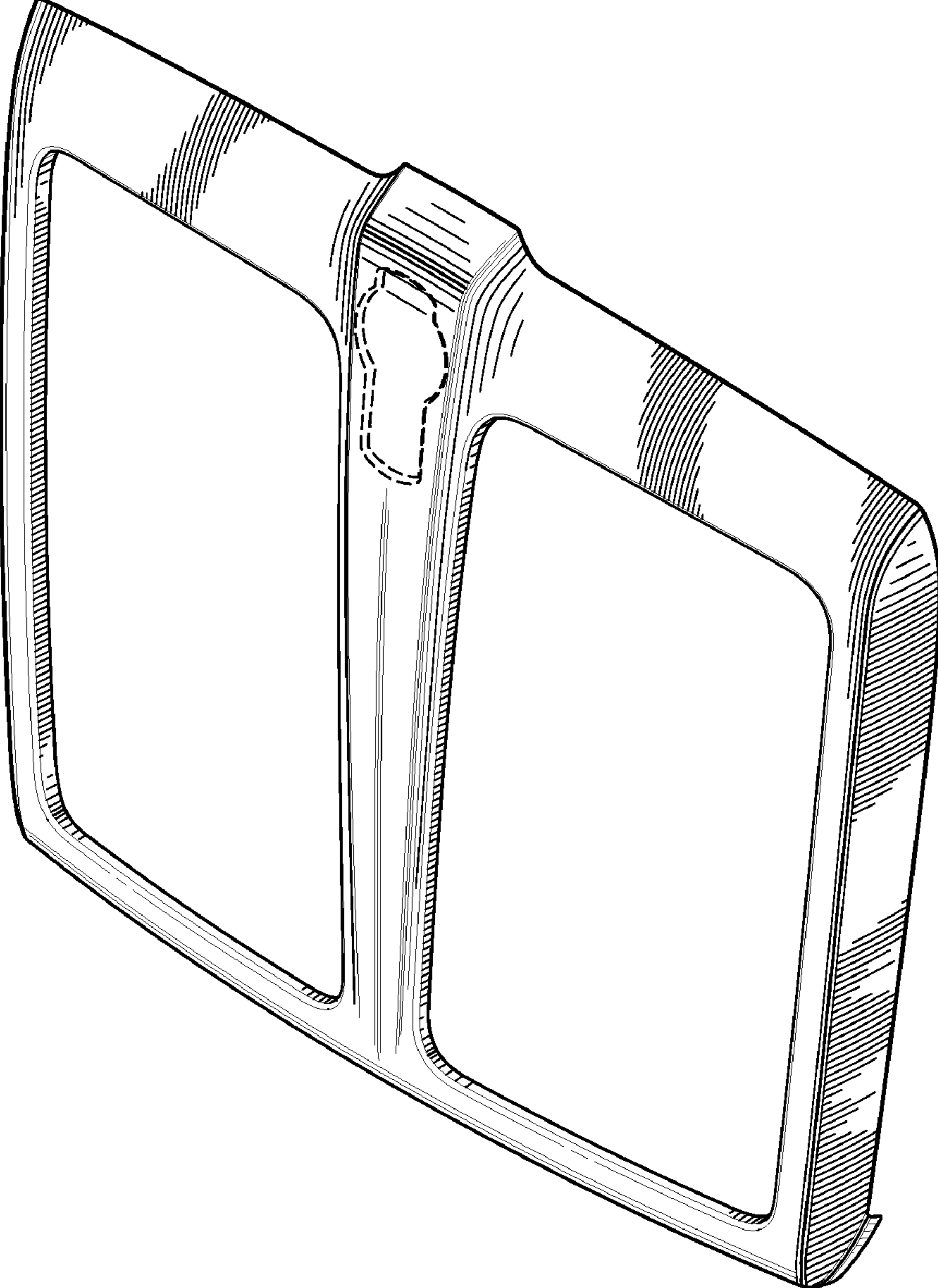


Fig. 1.

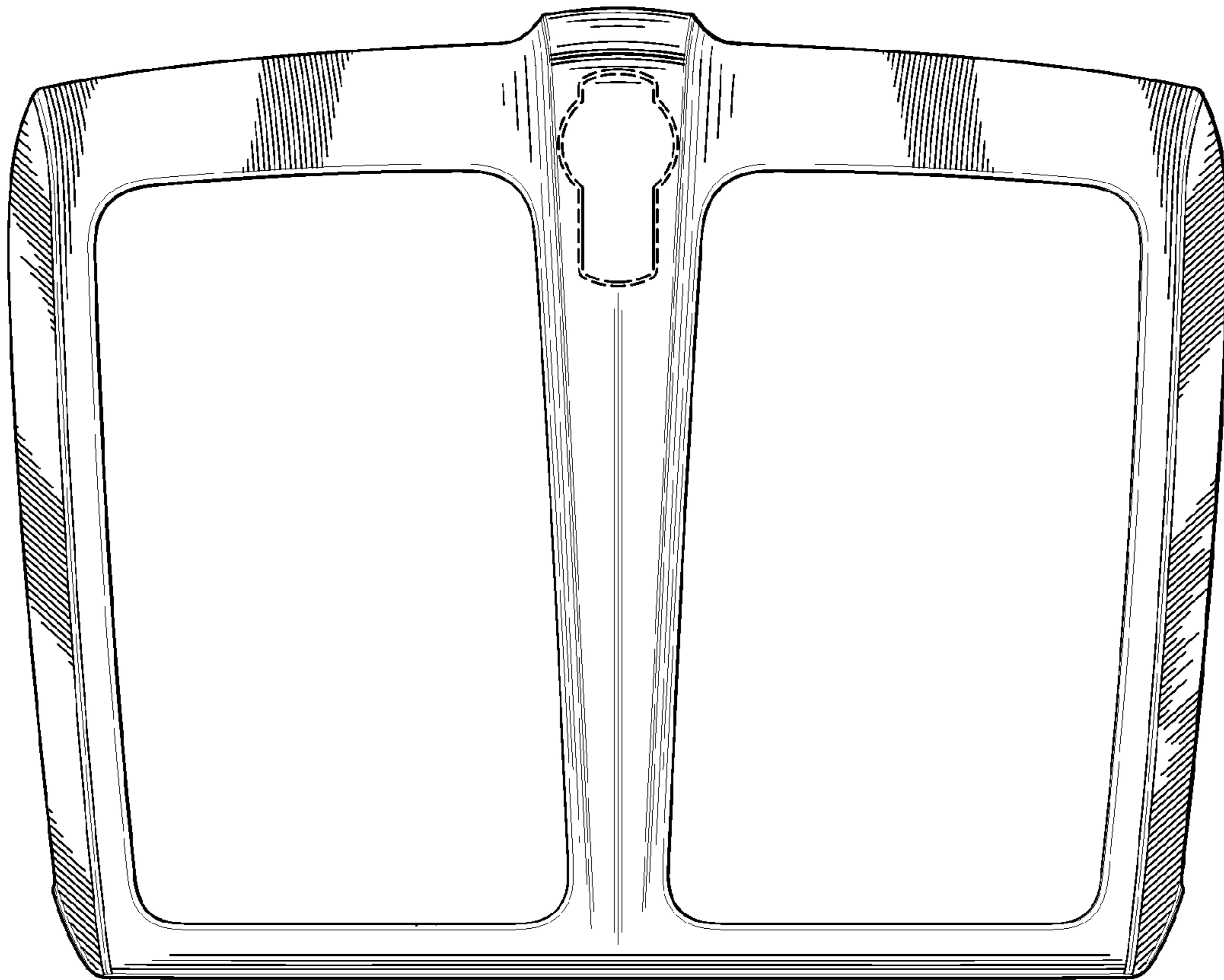


Fig. 2.

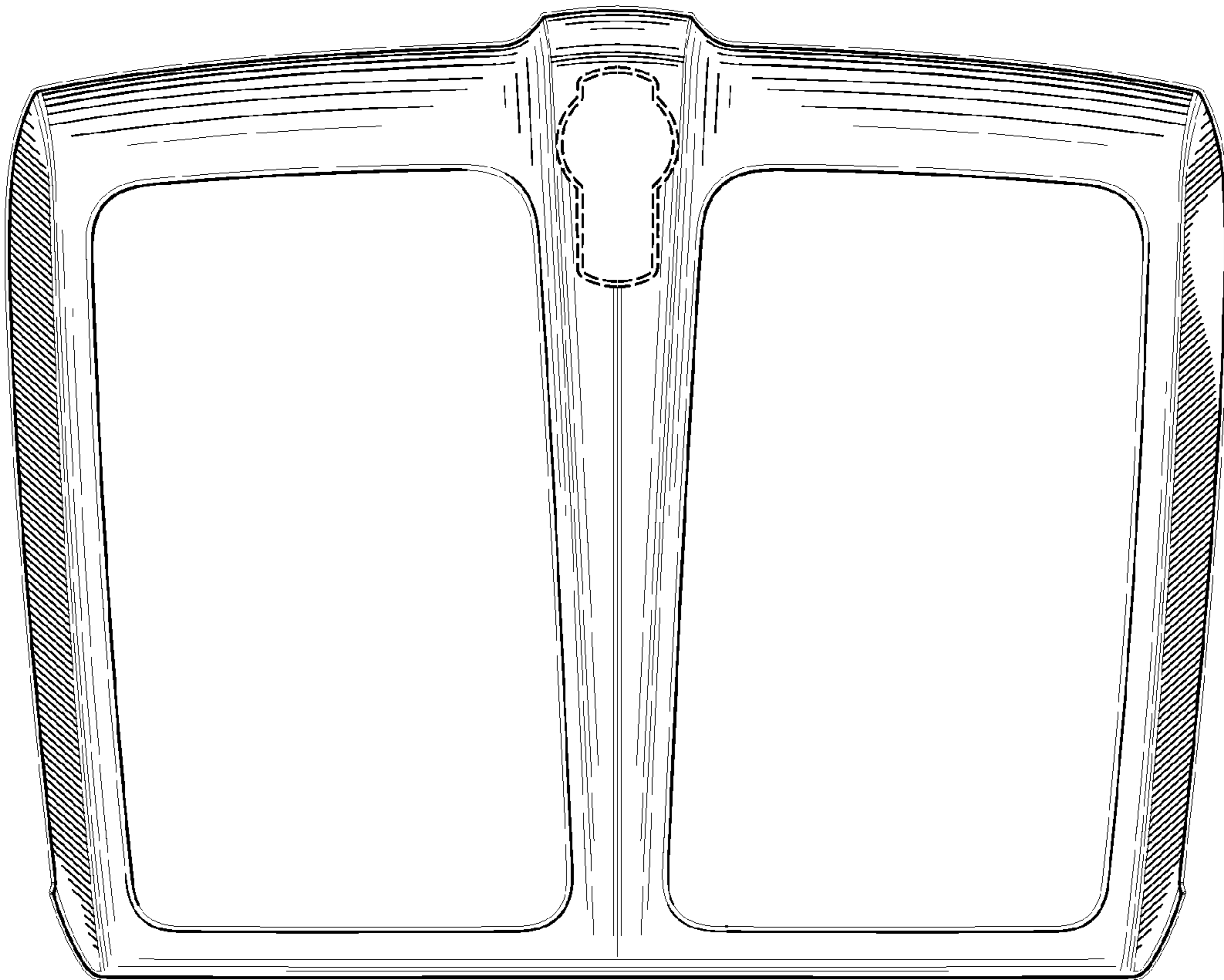


Fig. 3.

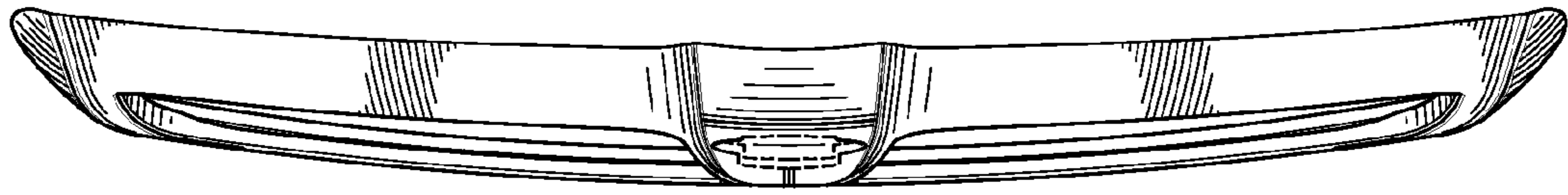


Fig. 4.

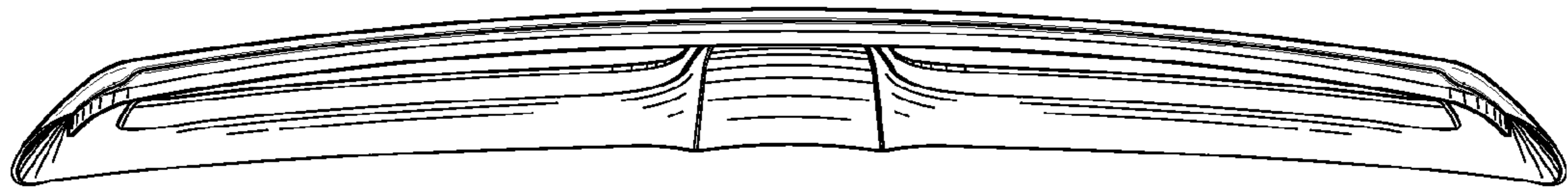


Fig. 5.

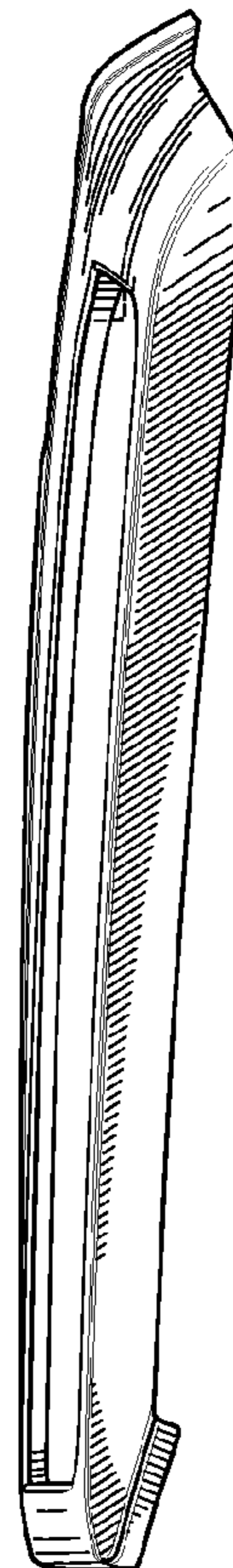


Fig. 6.