

US00D631799S

(12) **United States Design Patent**
Maguire et al.

(10) **Patent No.:** **US D631,799 S**

(45) **Date of Patent:** **** Feb. 1, 2011**

(54) **CARRIER HOUSING**

(75) Inventors: **Andrew P. Maguire**, West Bloomfield, MI (US); **Chane E. Myers**, Maumee, OH (US); **Harold W. Seeds**, Waterford, MI (US); **Manoj V. Bhandiwad**, White Lake, MI (US)

(73) Assignee: **American Axle & Manufacturing, Inc.**, Detroit, MI (US)

(**) Term: **14 Years**

(21) Appl. No.: **29/339,358**

(22) Filed: **Jun. 29, 2009**

Related U.S. Application Data

(63) Continuation of application No. 29/295,375, filed on Sep. 27, 2007, now Pat. No. Des. 600,167.

(51) **LOC (9) Cl.** **12-11**

(52) **U.S. Cl.** **D12/126**

(58) **Field of Classification Search** D12/110, D12/114, 126, 117, 159, 160; 301/137, 124.1, 301/125; 280/124.11, 124.156, 93.51, 124.116, 280/124.127, 124.13, 124.12, 124.111, 124.175, 280/124.178; 180/378-380, 219; 74/606 R, 74/607; D15/148, 199

See application file for complete search history.

(56) **References Cited**

U.S. PATENT DOCUMENTS

1,950,034 A * 3/1934 Mulford et al. 475/160
1,991,618 A * 2/1935 Lyman 184/104.3
3,041,890 A * 7/1962 O'Brien 74/607
3,171,293 A * 3/1965 Robinson 74/373
3,817,354 A * 6/1974 Meiners 184/104.3

5,058,456 A * 10/1991 Manrique et al. 74/606 R
D327,280 S * 6/1992 Macomber D15/148
D346,781 S * 5/1994 Homme D12/159
D352,275 S * 11/1994 Crawley D13/162
D424,988 S * 5/2000 Rothlisberger D12/160
6,086,162 A * 7/2000 Pinch et al. 301/124.1
7,377,598 B2 * 5/2008 Doud et al. 301/137
2005/0184579 A1 * 8/2005 Bryant et al. 301/63.105

* cited by examiner

Primary Examiner—Susan M Lee

Assistant Examiner—Linda G. Brooks

(74) *Attorney, Agent, or Firm*—Harness, Dickey & Pierce, P.L.C.

(57) **CLAIM**

The ornamental design for a carrier housing, as shown and described.

DESCRIPTION

FIG. 1 is a rear elevation view of the carrier housing of the present invention;

FIG. 2 is a front elevation view of the carrier housing of the present invention;

FIG. 3 is a right side elevation view of the carrier housing of the present invention;

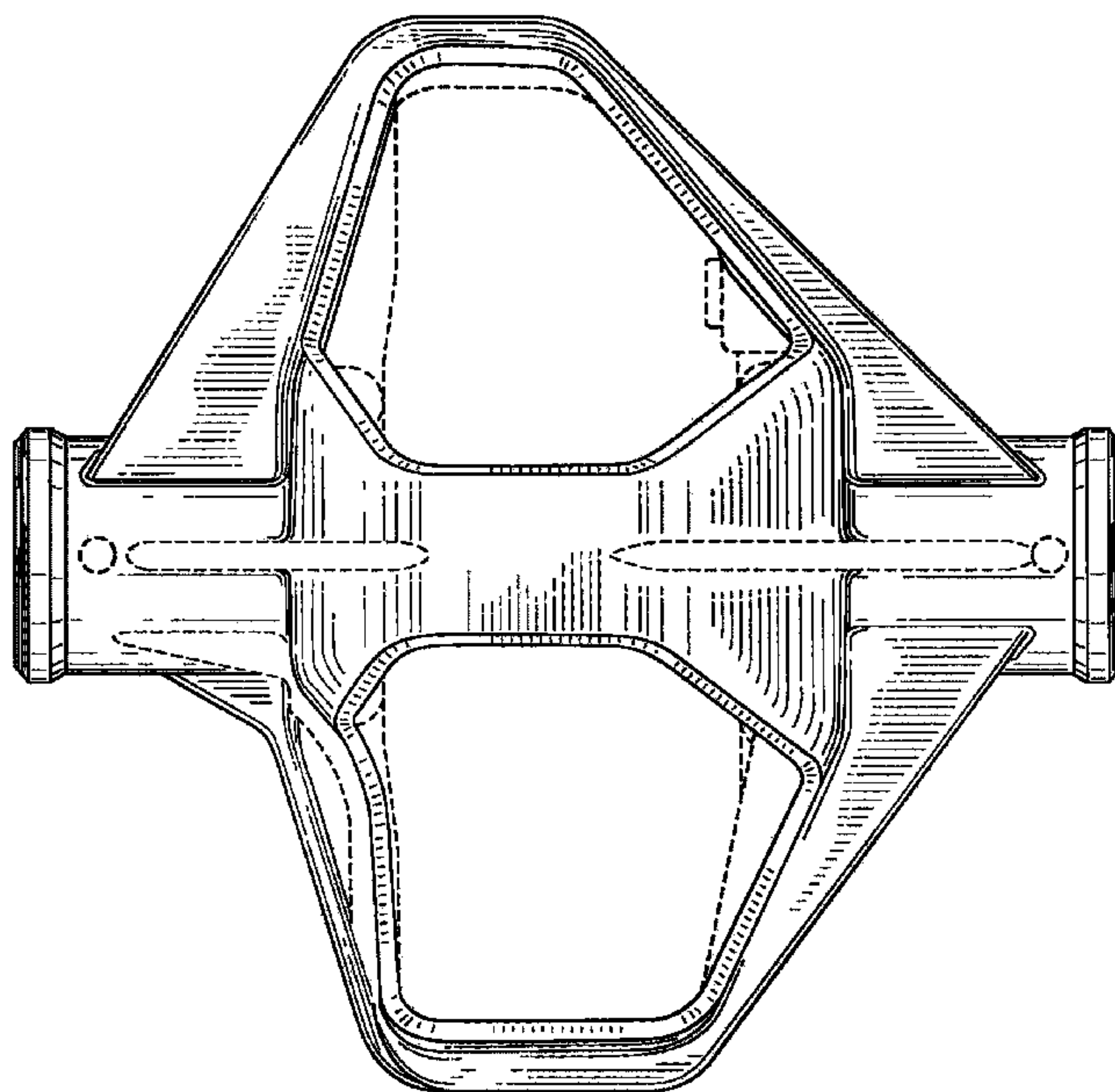
FIG. 4 is a left side elevation view of the carrier housing of the present invention;

FIG. 5 is a top plan view of the carrier housing of the present invention; and,

FIG. 6 is a bottom plan view of the carrier housing of the present invention.

The portions of the carrier housing shown in broken lines form no part of the claimed design.

1 Claim, 5 Drawing Sheets



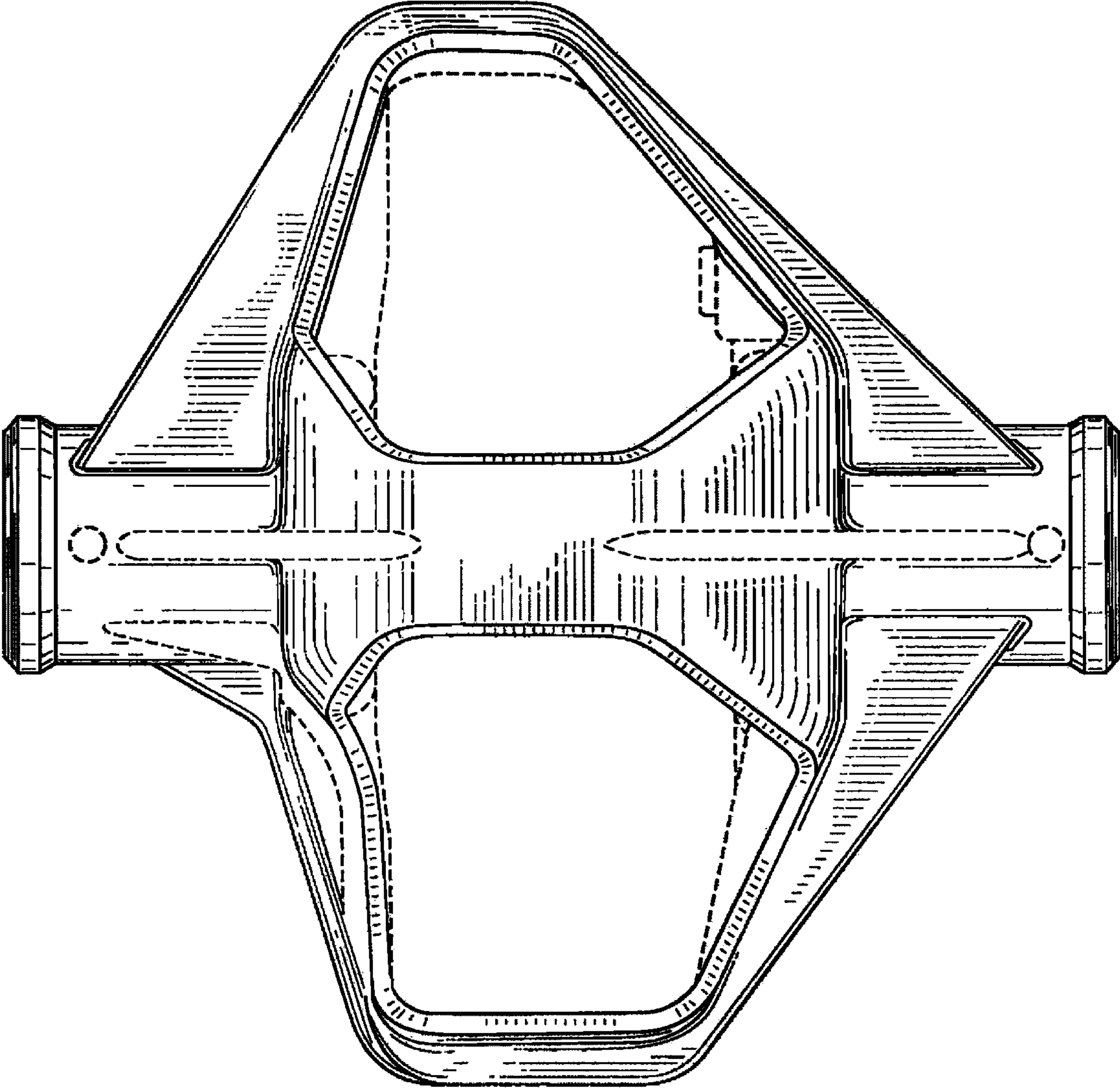


FIG. 1

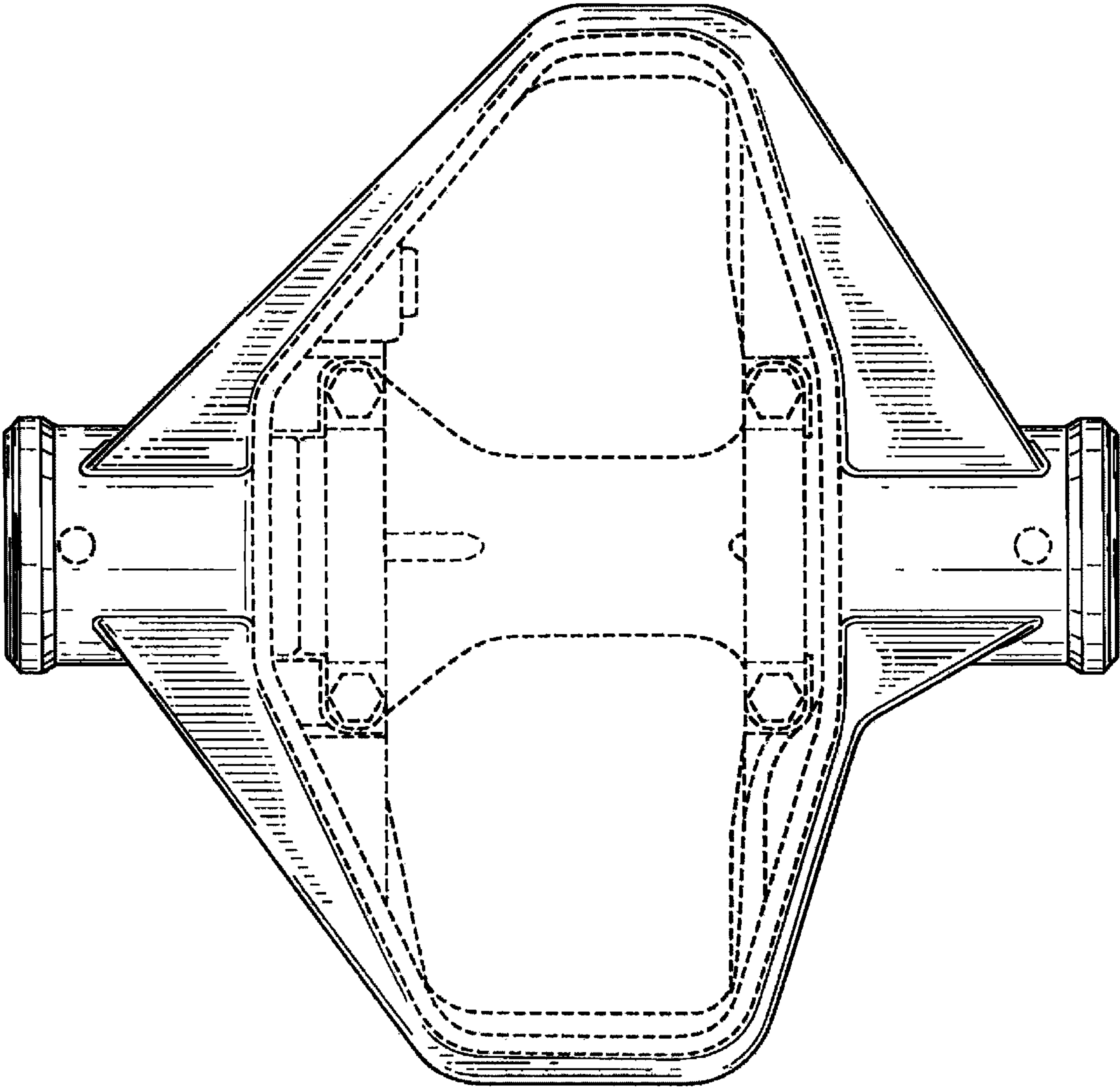


FIG. 2

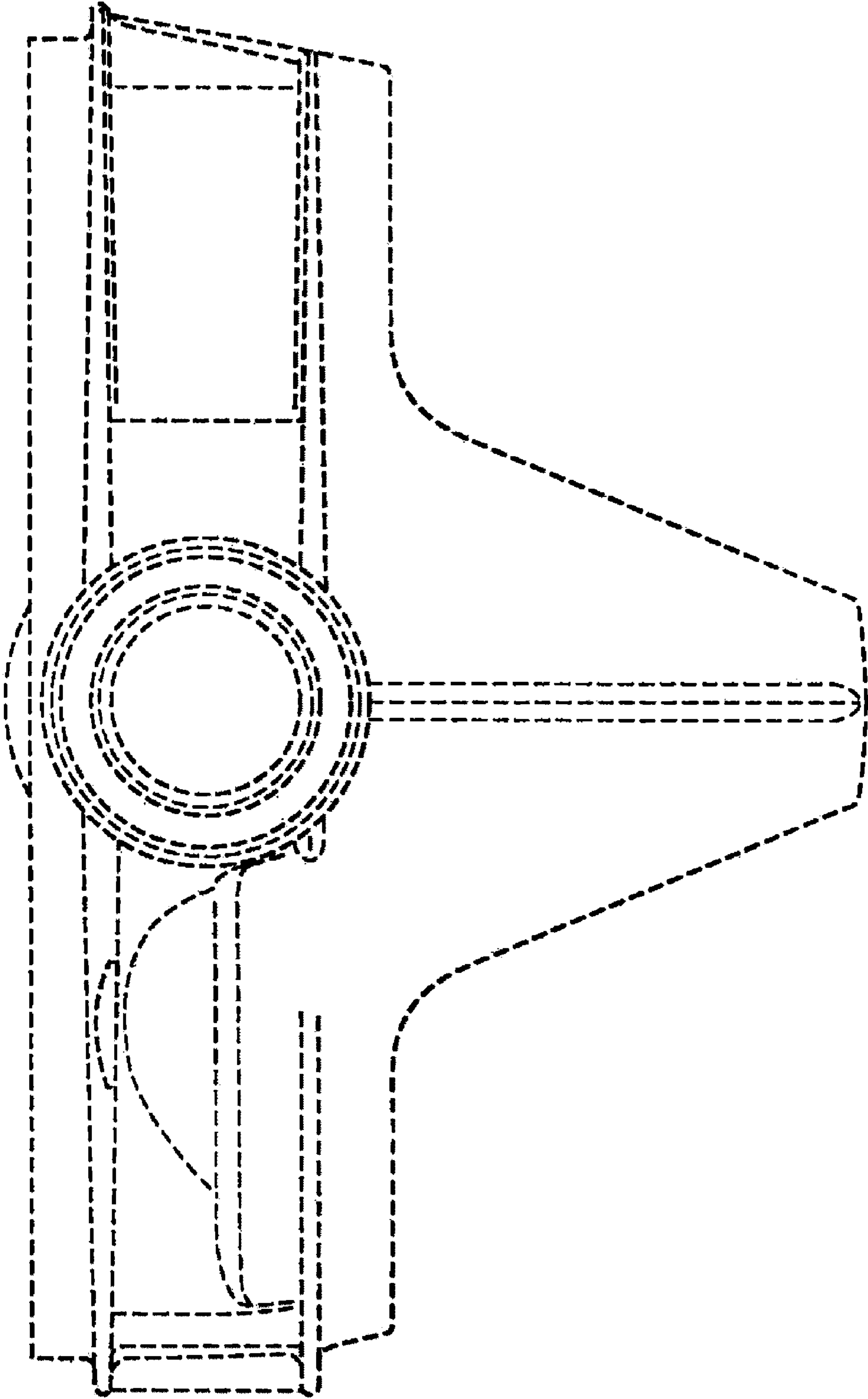


FIG. 3

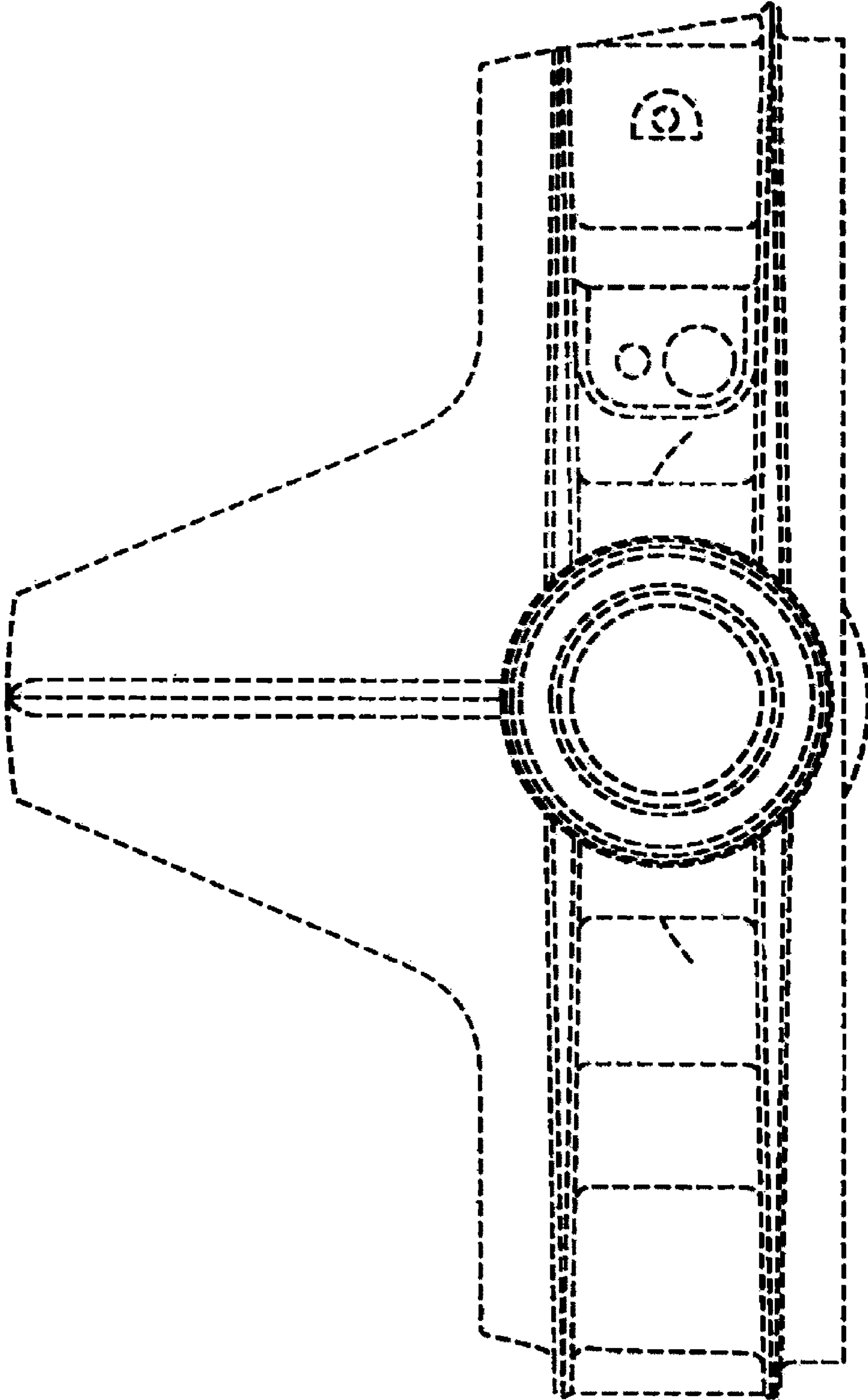


FIG. 4

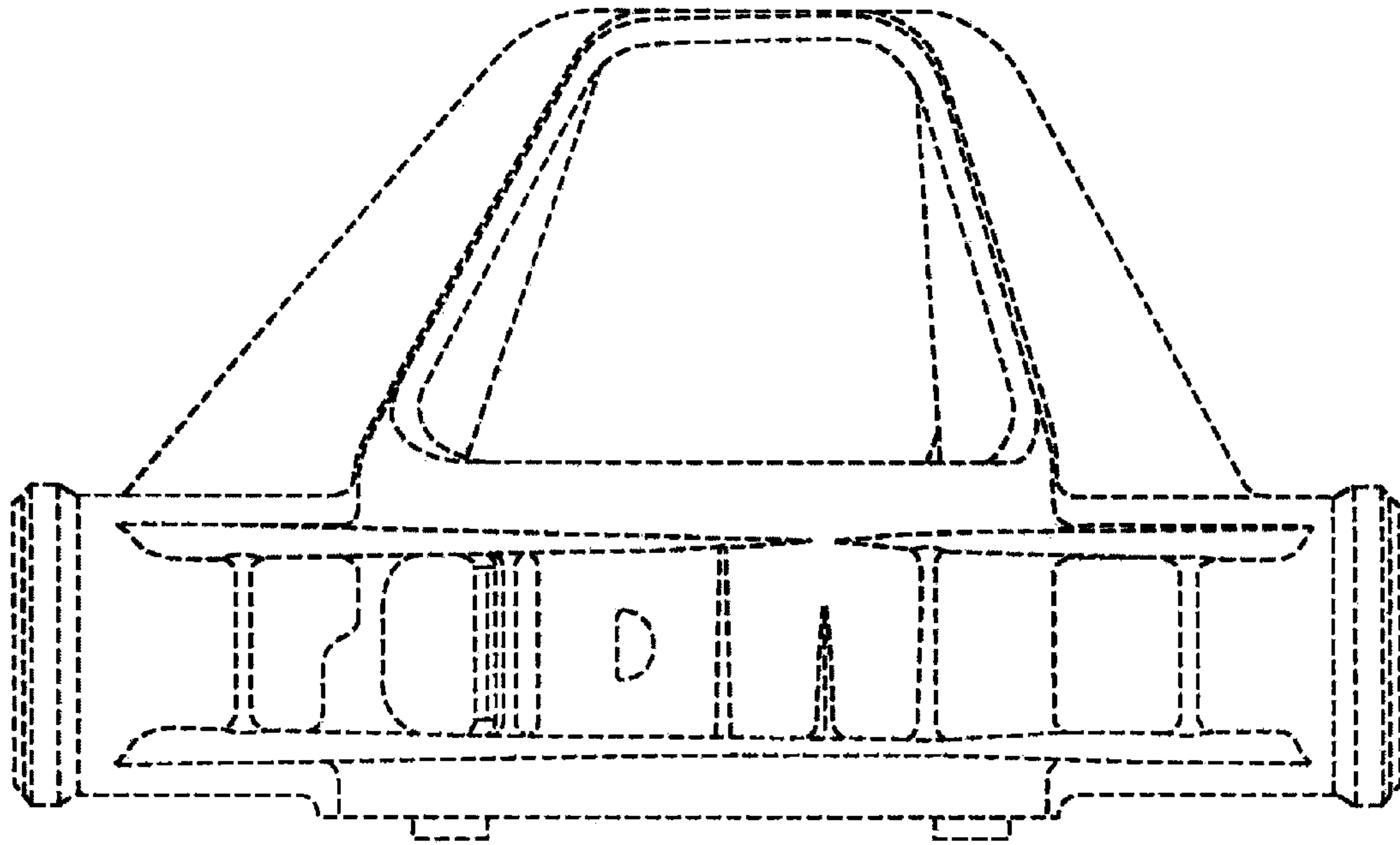


FIG. 5

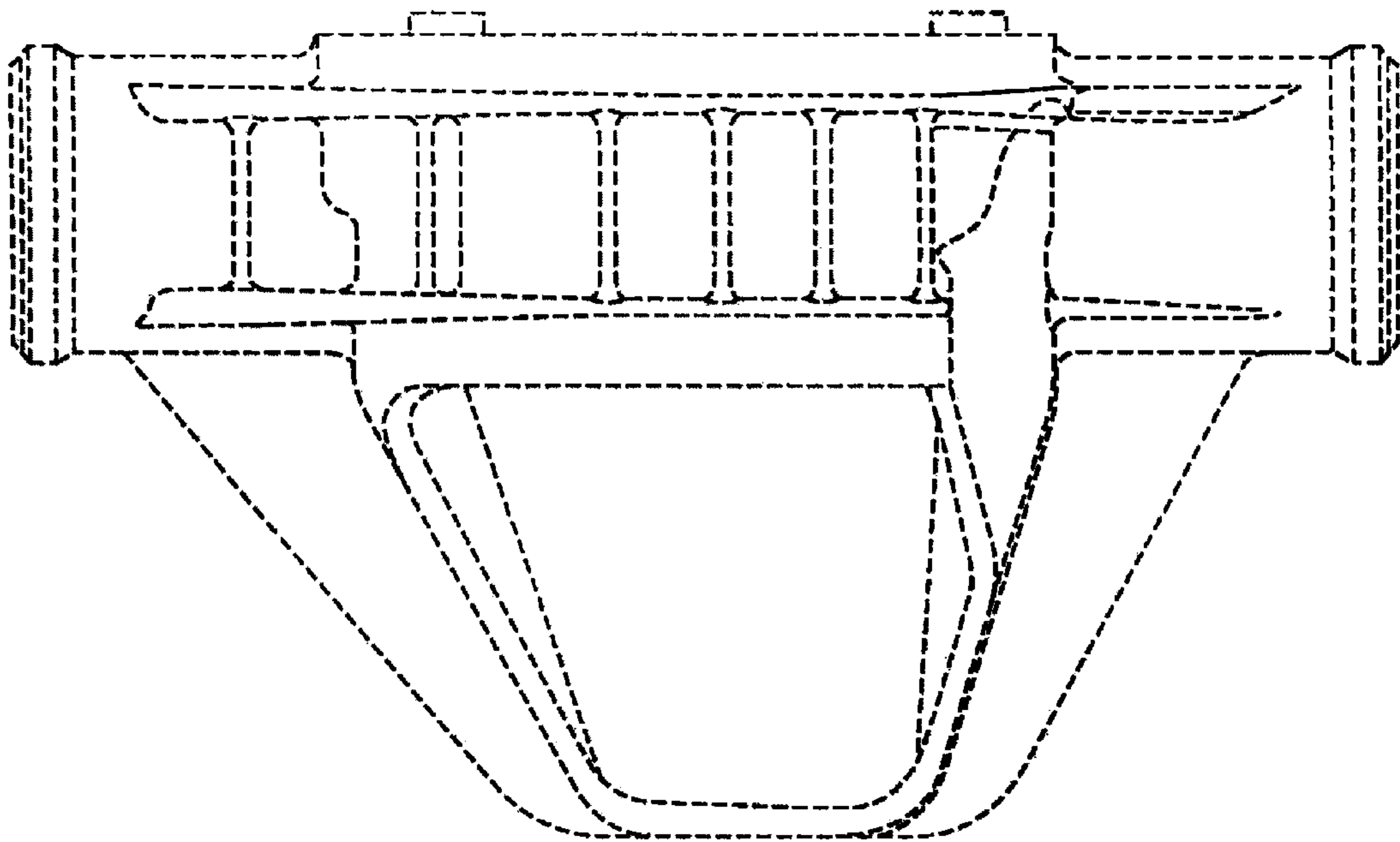


FIG. 6