



US00D631792S

(12) **United States Design Patent**
Sanschagrın

(10) **Patent No.:** **US D631,792 S**

(45) **Date of Patent:** **** Feb. 1, 2011**

(54) **UTILITY VEHICLE FRONT FAIRING ASSEMBLY**

D622,645 S 8/2010 Ichihara et al.

* cited by examiner

(75) Inventor: **Stephane Sanschagrın**, Valcourt (CA)

Primary Examiner—T. Chase Nelson

(73) Assignee: **Bombardier Recreational Products Inc.**, Valcourt (CA)

Assistant Examiner—Ania K Dworzecka

(74) *Attorney, Agent, or Firm*—Osler, Hoskin & Harcourt LLP

(**) Term: **14 Years**

(57) **CLAIM**

(21) Appl. No.: **29/362,951**

The ornamental design for a utility vehicle front fairing assembly, as shown and described.

(22) Filed: **Jun. 2, 2010**

(51) **LOC (9) Cl.** **12-02**

DESCRIPTION

(52) **U.S. Cl.** **D12/14; D12/169**

(58) **Field of Classification Search** D12/16, D12/173, 164, 196, 87, 86, 1, 433, 15, 107, D12/82, 88, 89, 90, 91, 92, 93, 167, 163, D12/169, 14; D15/30; D21/803; 180/233, 180/908; 280/DIG. 5, 183, 184, 185, 186, 280/28, 37.7

See application file for complete search history.

FIG. 1 is a perspective view taken from a front, left side of a utility vehicle front fairing assembly according to a first embodiment of my design;

FIG. 2 is a perspective view taken from a rear, left side thereof;

FIG. 3 is a perspective view taken from a front, right side thereof;

FIG. 4 is a perspective view taken from a rear, right side thereof;

FIG. 5 is a front elevation view thereof;

FIG. 6 is a right side elevation view thereof;

FIG. 7 is a left side elevation view thereof;

FIG. 8 is a rear elevation view thereof;

FIG. 9 is a top plan view thereof;

FIG. 10 is a bottom plan view thereof;

FIG. 11 is a perspective view taken from a front, left side of a utility vehicle front fairing assembly shown with an alternate broken line environment;

FIG. 12 is a perspective view taken from a rear, left side thereof;

FIG. 13 is a perspective view taken from a front, right side thereof;

FIG. 14 is a perspective view taken from a rear, right side thereof;

FIG. 15 is a front elevation view thereof;

(56) **References Cited**

U.S. PATENT DOCUMENTS

D332,239 S	1/1993	Hirata et al.	
D439,548 S	3/2001	Kouchi et al.	
D498,435 S	11/2004	Saito et al.	
D503,905 S	4/2005	Saito et al.	
D504,638 S	5/2005	Tanaka et al.	
D511,317 S	11/2005	Tanaka et al.	
D555,036 S *	11/2007	Eck	D12/87
7,367,247 B2 *	5/2008	Horiuchi et al.	74/606 R
D578,433 S *	10/2008	Kawaguchi et al.	D12/14
D578,934 S *	10/2008	Tanaka et al.	D12/14
D592,998 S *	5/2009	Woodard et al.	D12/14
D595,613 S *	7/2009	Lai et al.	D12/14
D604,201 S *	11/2009	Kawaguchi et al.	D12/14
D605,555 S	12/2009	Tanaka et al.	
D606,900 S *	12/2009	Flores	D12/87
D607,377 S *	1/2010	Shimomura et al.	D12/14
D610,514 S	2/2010	Eck	
D621,426 S	8/2010	Fusejima et al.	
D622,631 S *	8/2010	Lai et al.	D12/87

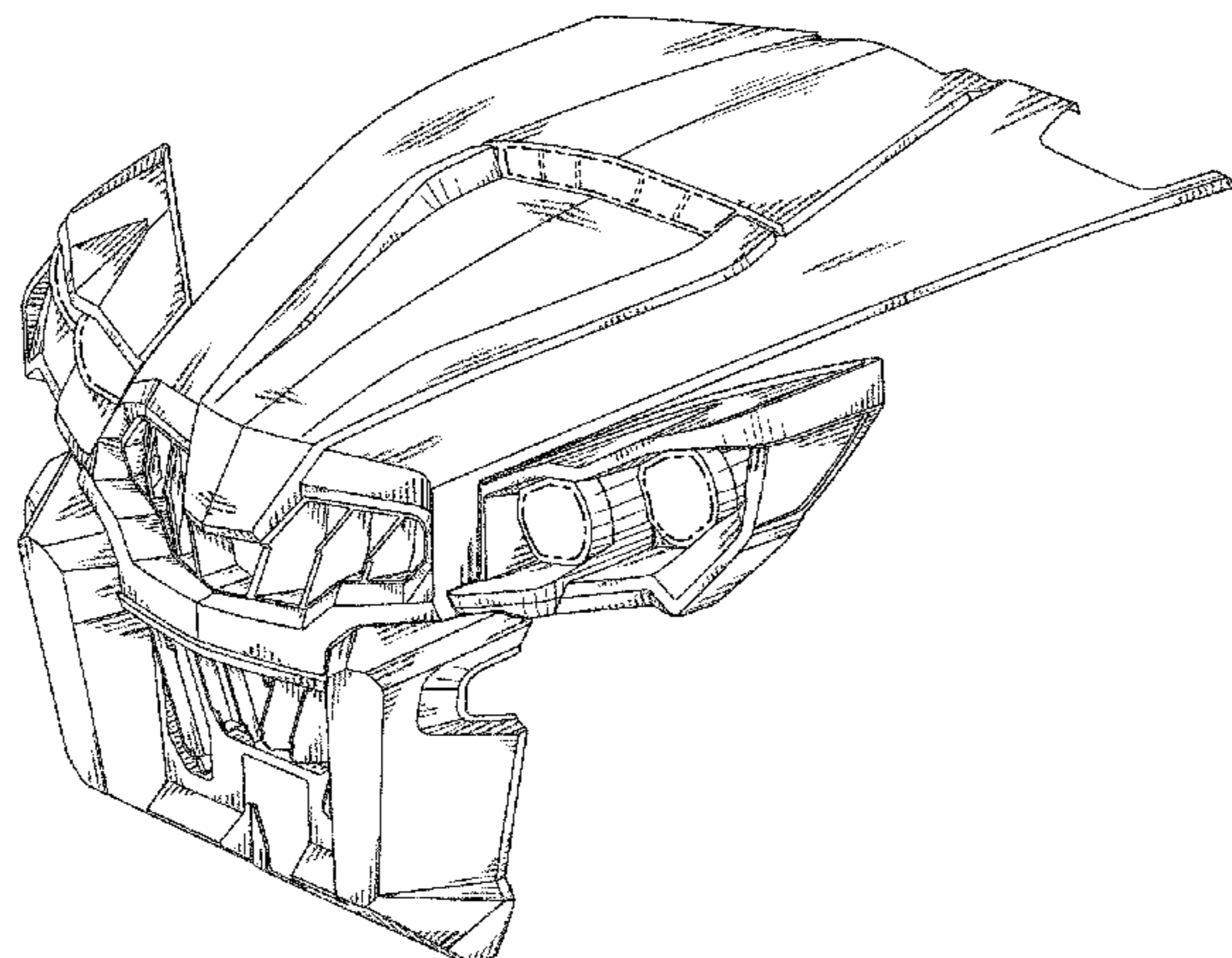


FIG. 16 is a right side elevation view thereof;

FIG. 17 is a left side elevation view thereof;

FIG. 18 is a rear elevation view thereof;

FIG. 19 is a top plan view thereof;

FIG. 20 is a bottom plan view thereof;

FIG. 21 is a perspective view taken from a front, left side of the utility vehicle front fairing assembly of FIG. 1 shown on a utility vehicle shown in dotted lines; and,

FIG. 22 is a front elevation view of the utility vehicle front fairing assembly of FIG. 1 shown on a utility vehicle shown in dotted lines.

Throughout the Figures, where shown: (i) the broken lines showing additional structure of the utility vehicle front fairing

assembly and the utility vehicle on which it is shown are for illustrative purposes only and form no part of the claimed design; and (ii) in FIGS. 1, 2, 3, 4, 5, 8, 10, 11, 12, 13, 14, 15, 18, 20, 21 and 22, the dotted/dashed lines immediately adjacent solid lines represent unclaimed boundaries of the claimed design and as such, the configuration of the unshaded surfaces defined by those dotted/dashed lines form no part of the claimed design. Portions of the utility vehicle front fairing assembly not shown in the figures and not otherwise described in this specification do not form part of the claimed design.

Throughout the Figures, the unshaded surfaces do not form part of the claimed design.

1 Claim, 16 Drawing Sheets

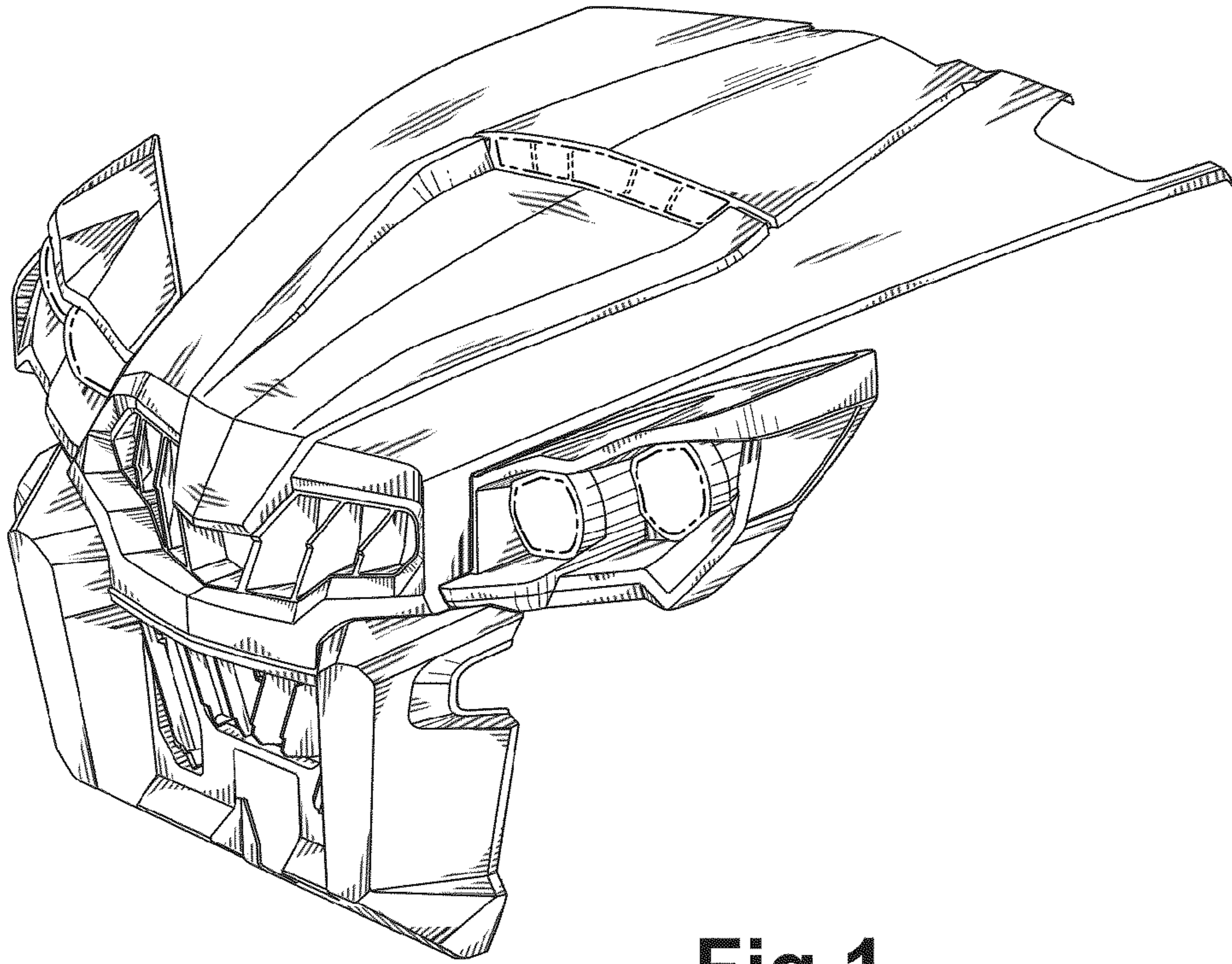


Fig.1

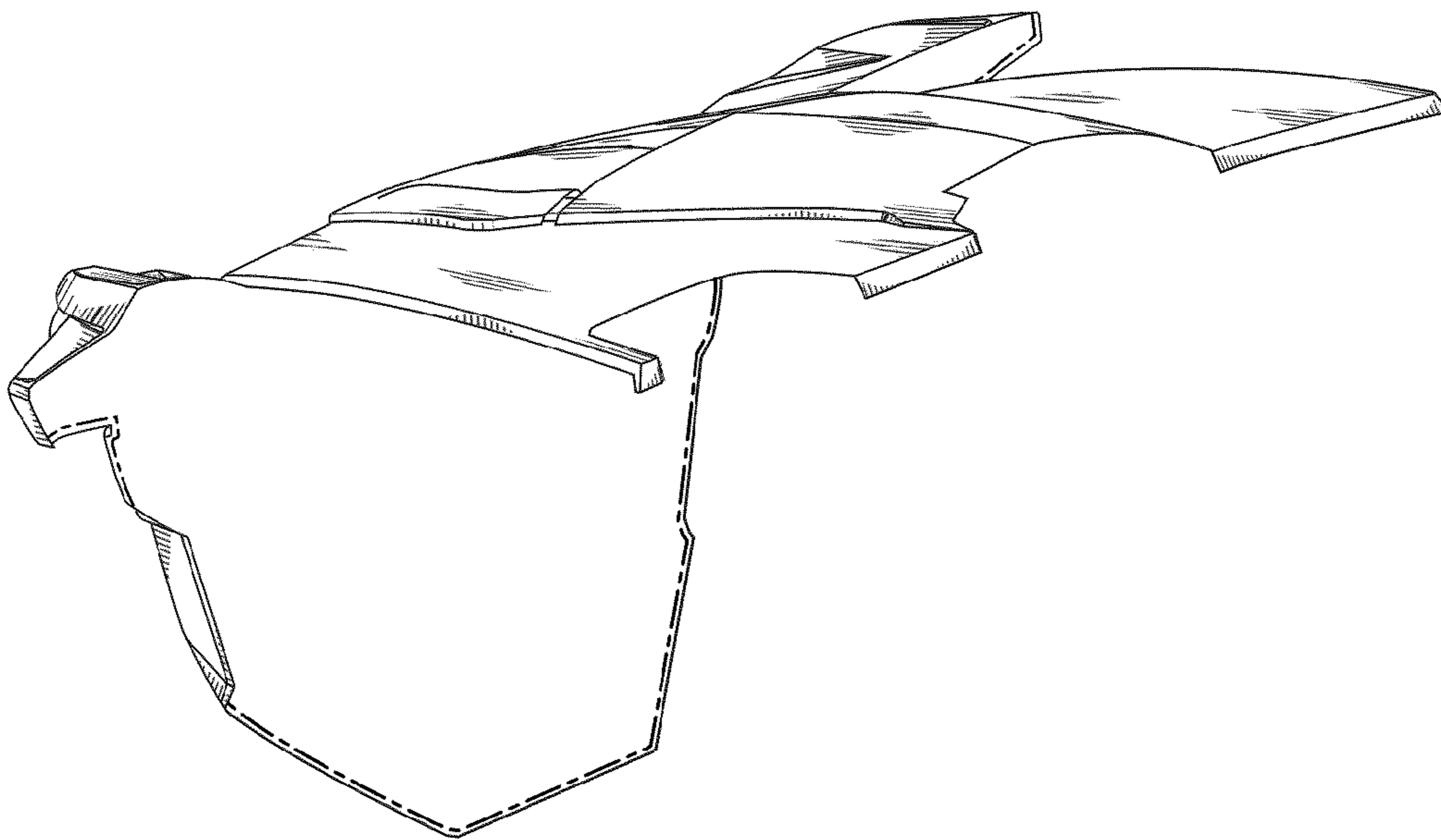


Fig.2

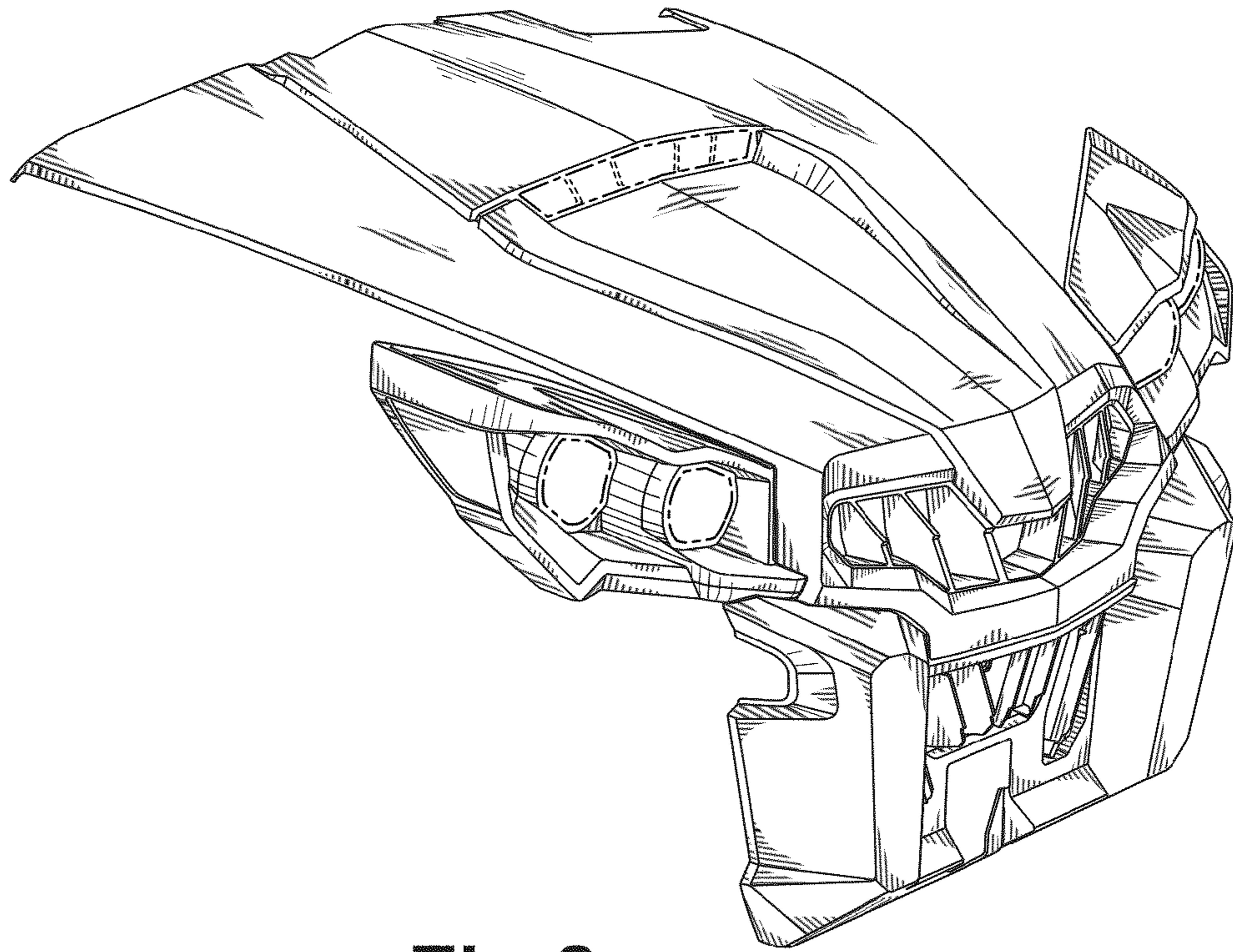


Fig.3

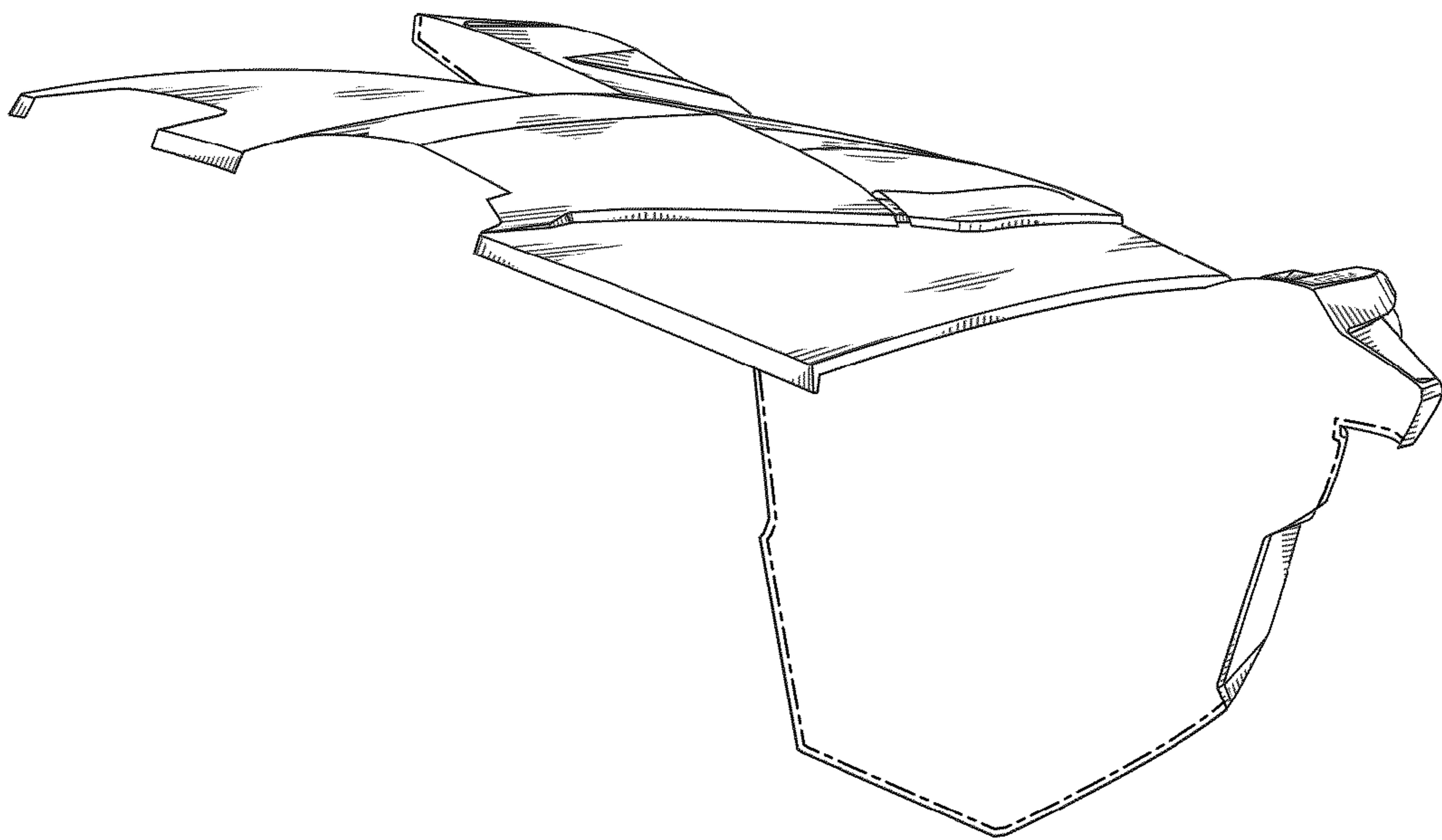


Fig.4

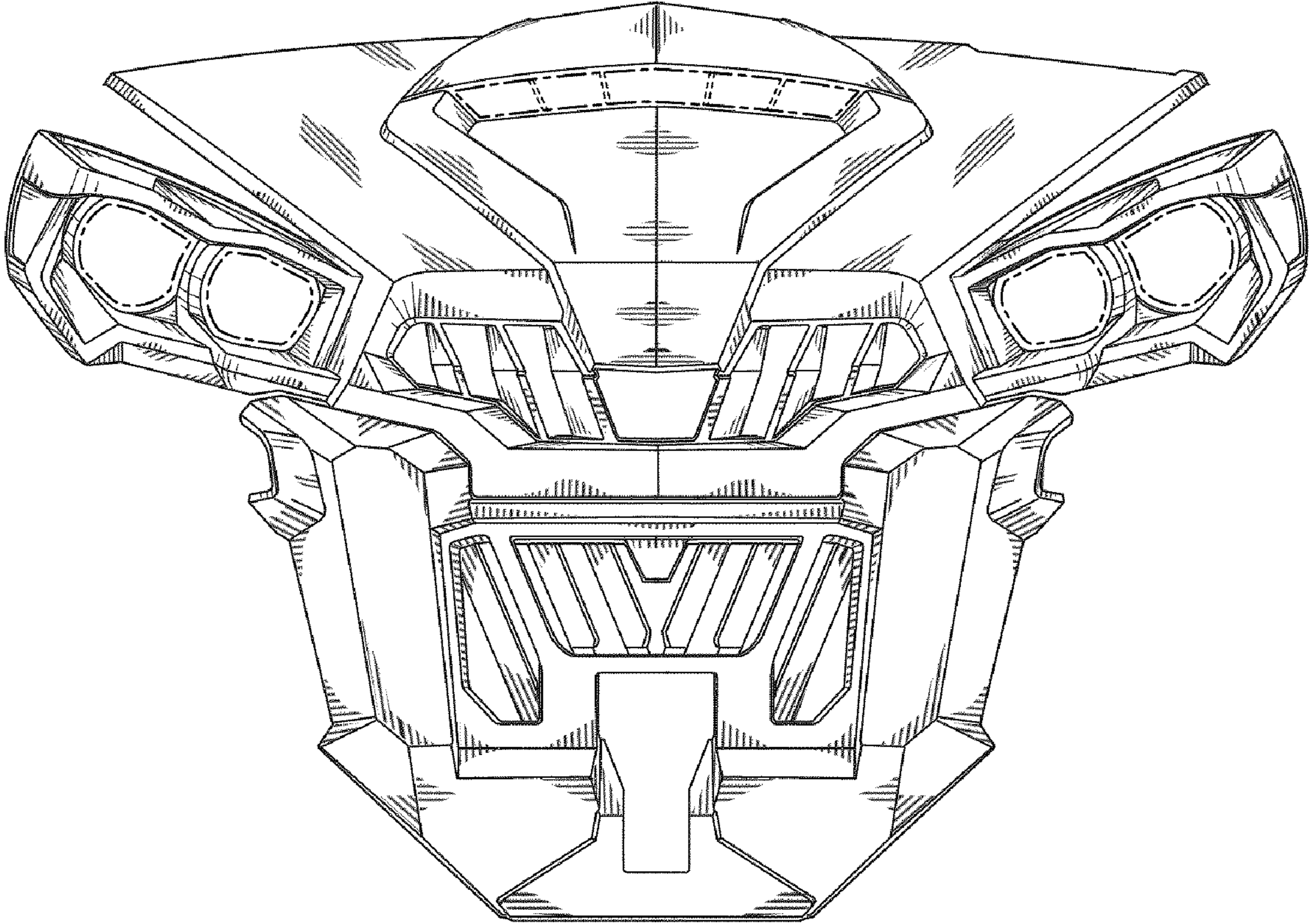


Fig.5

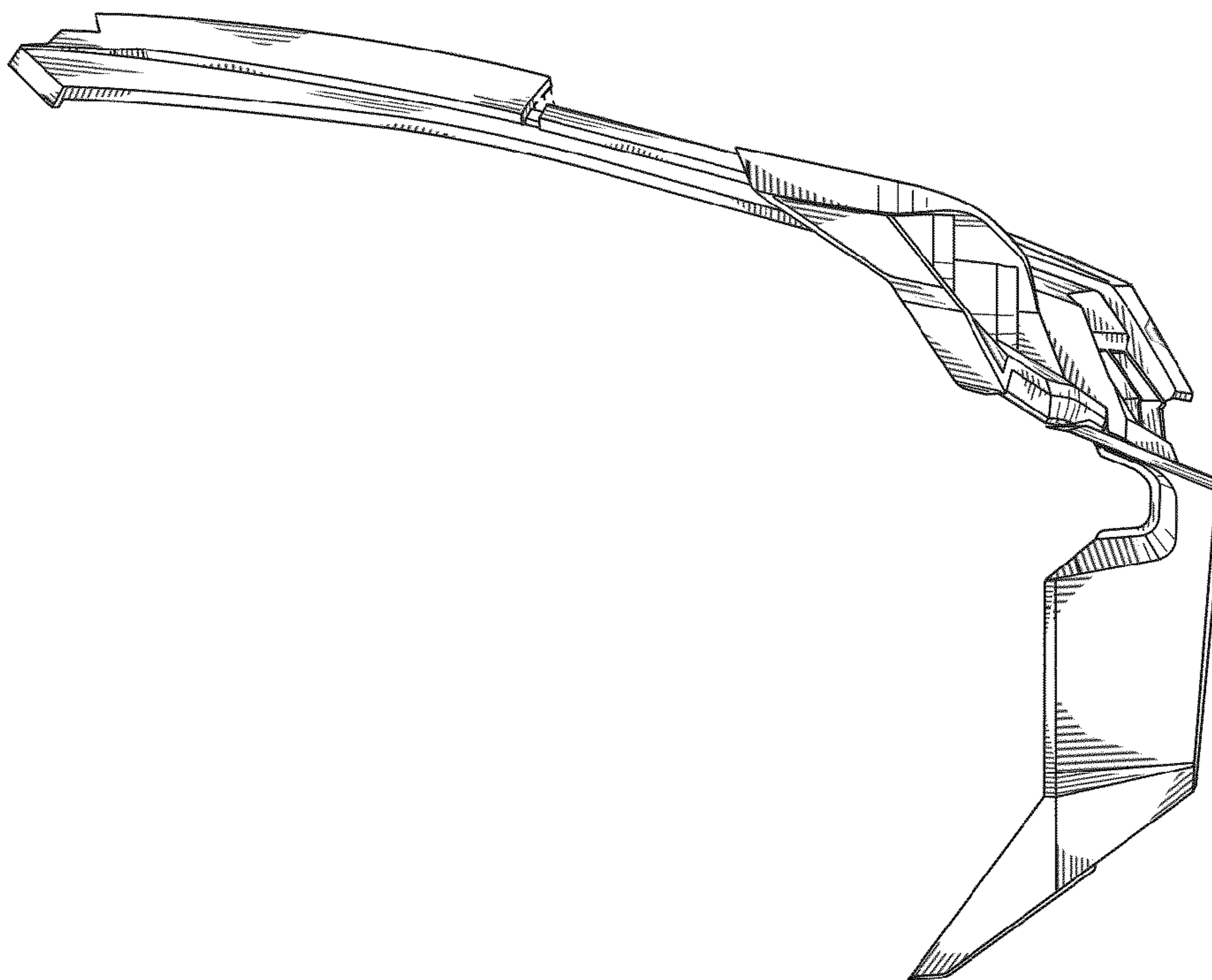


Fig.6

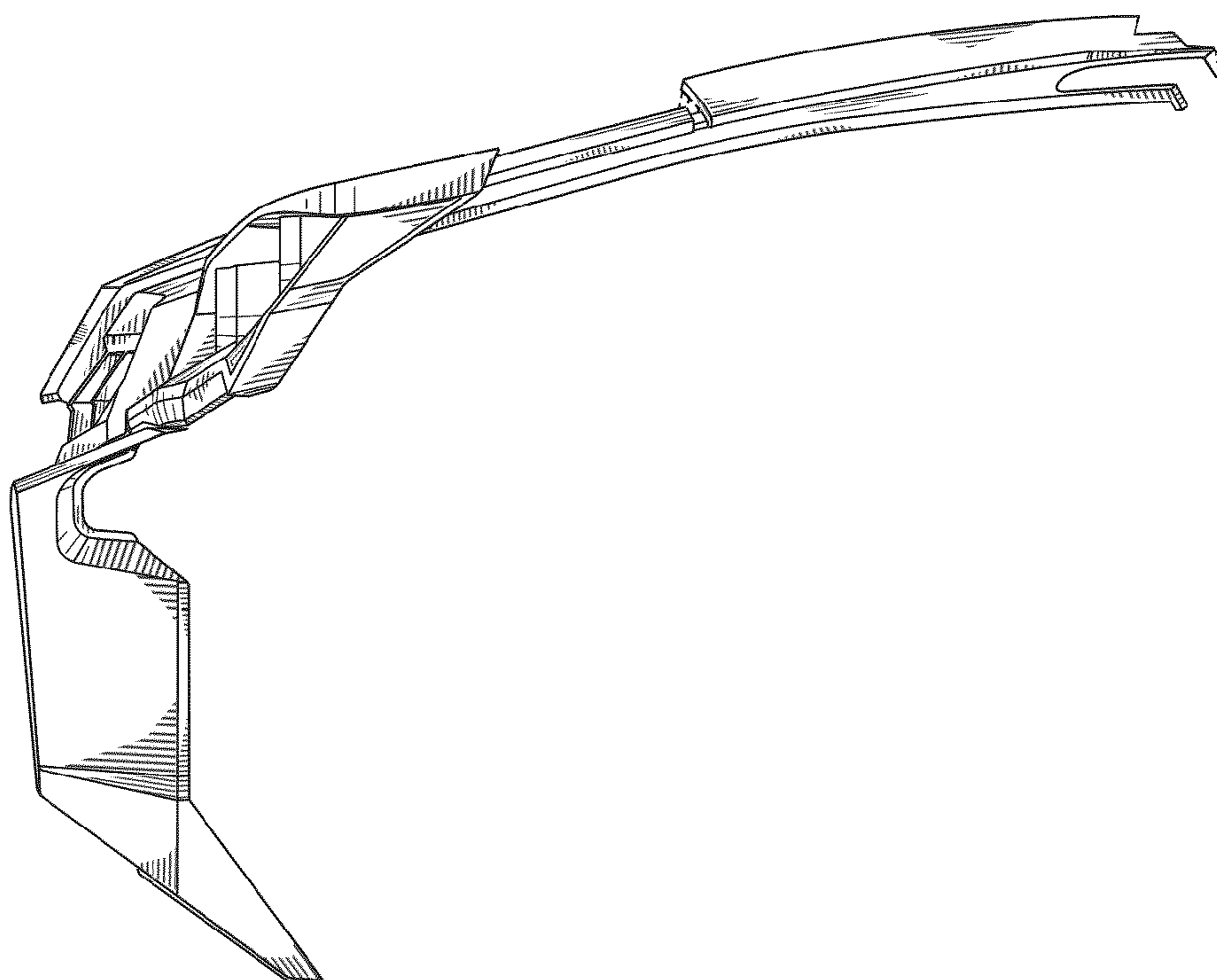


Fig.7

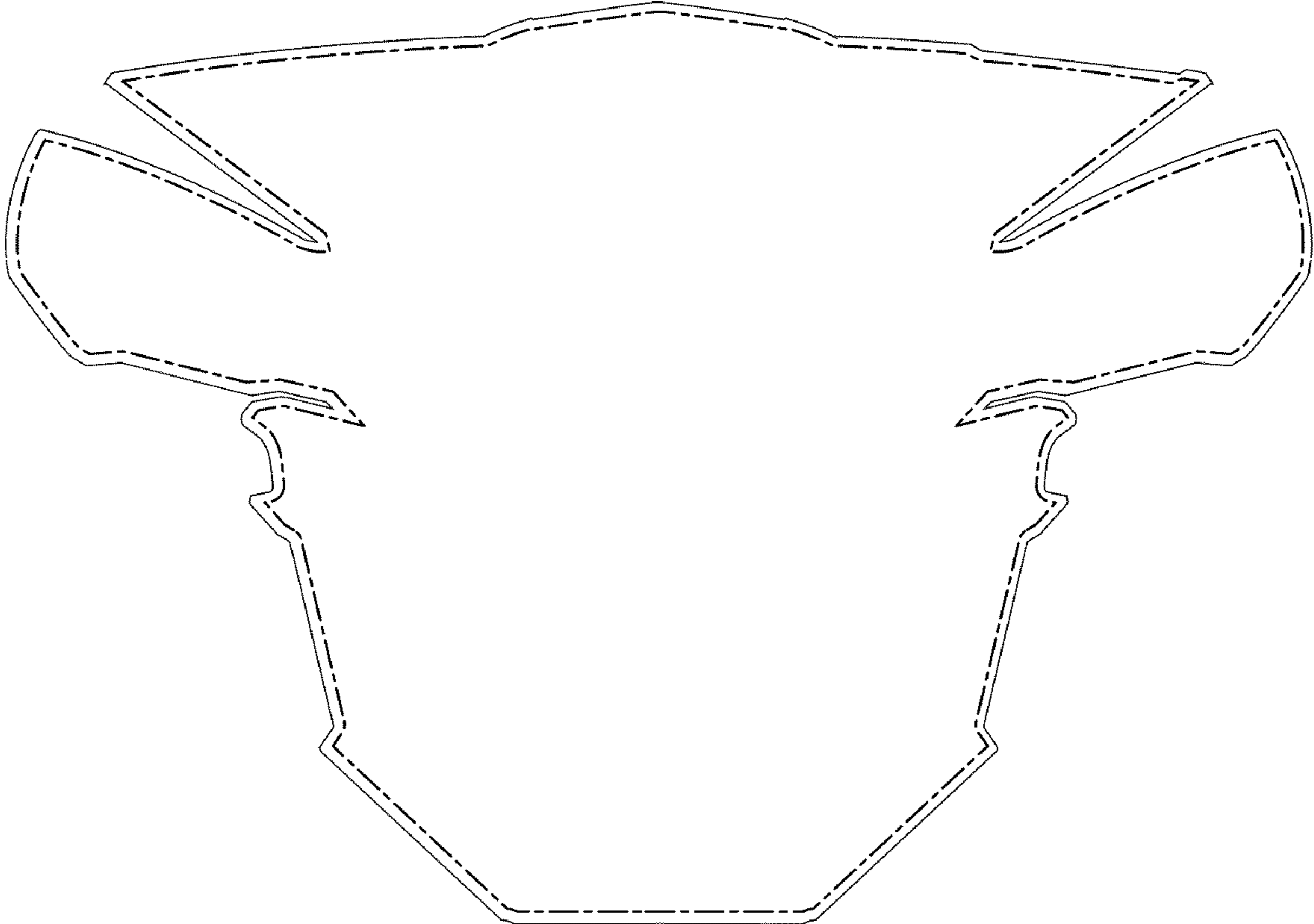


Fig.8

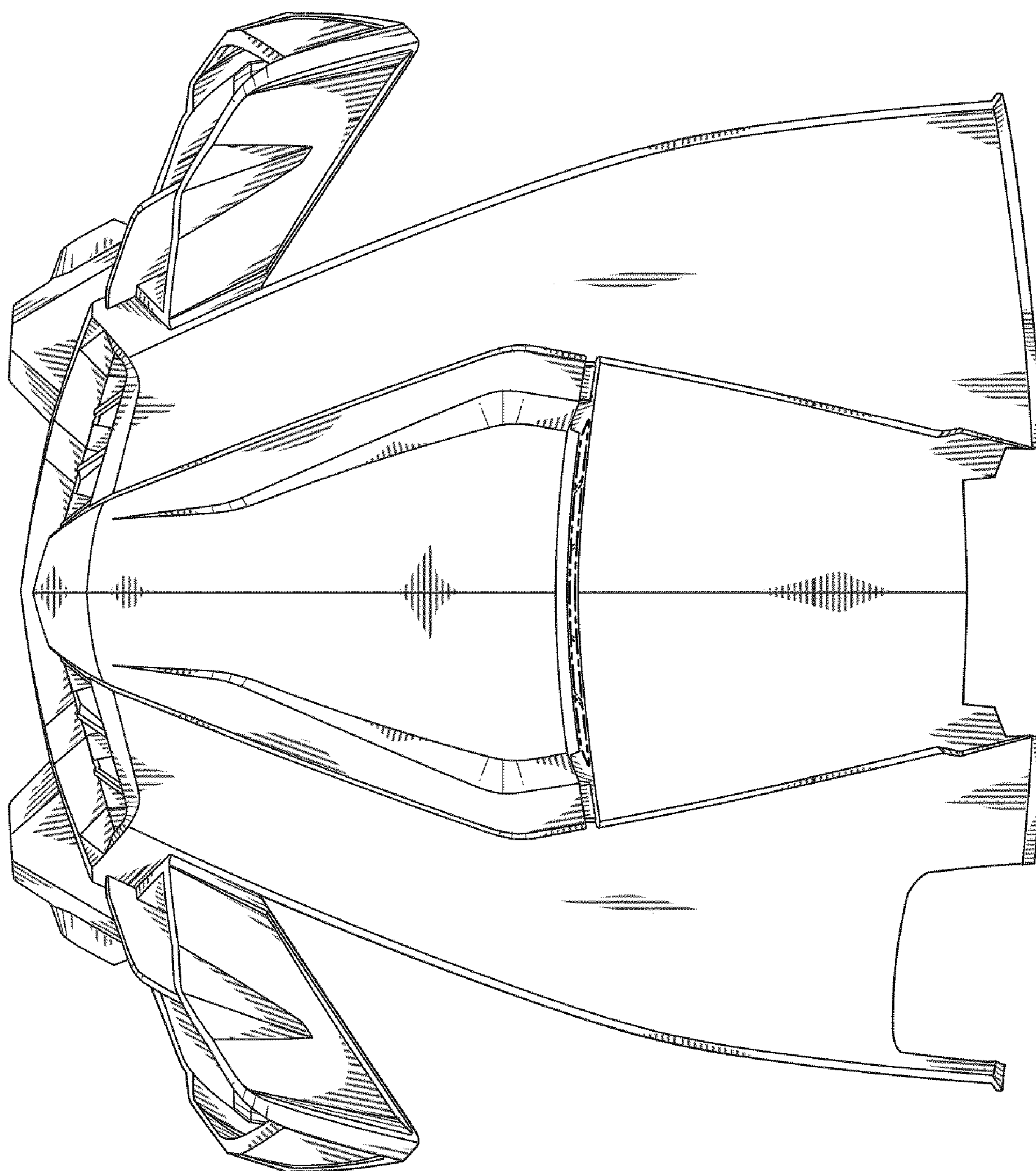


Fig.9

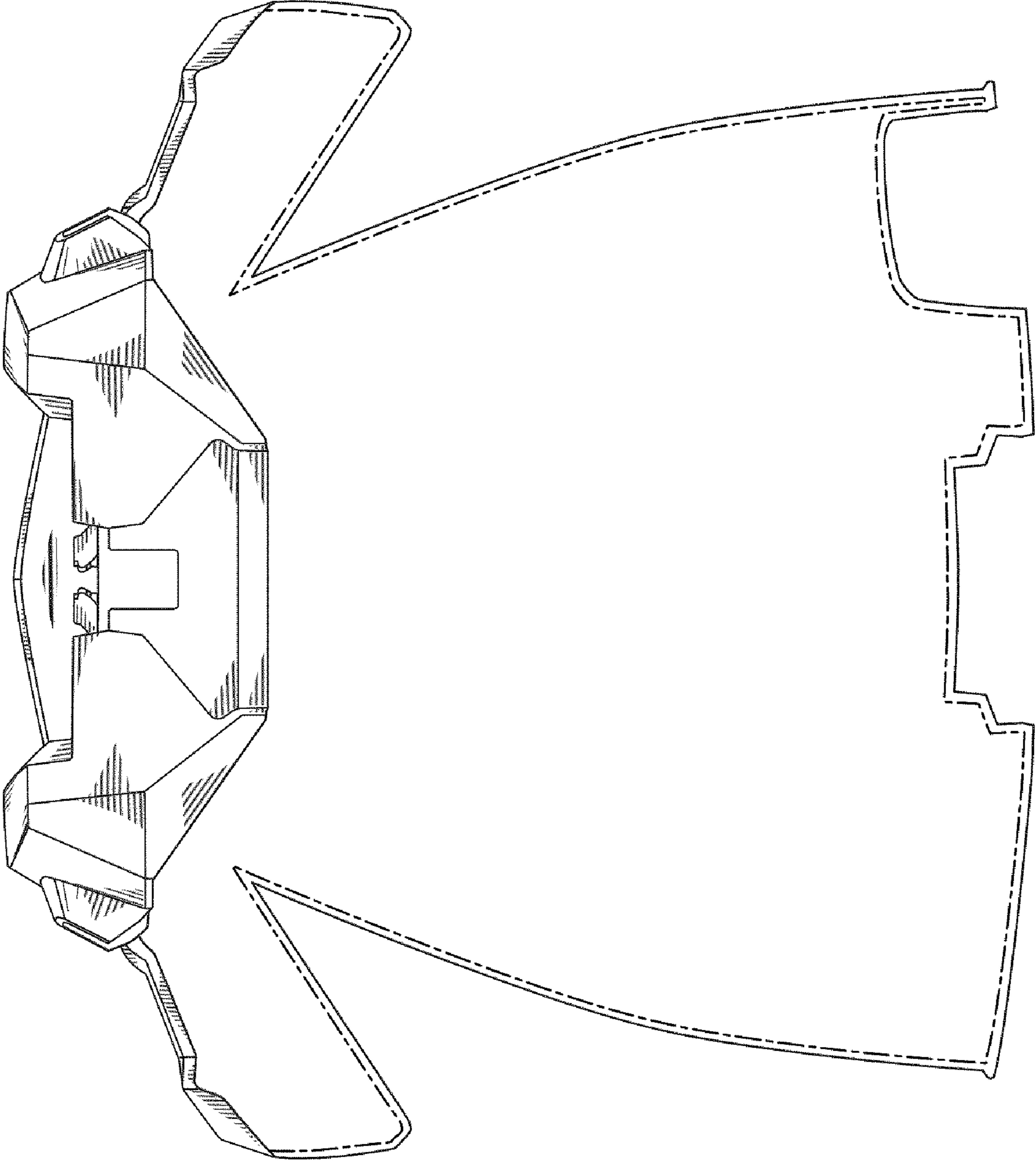


Fig.10

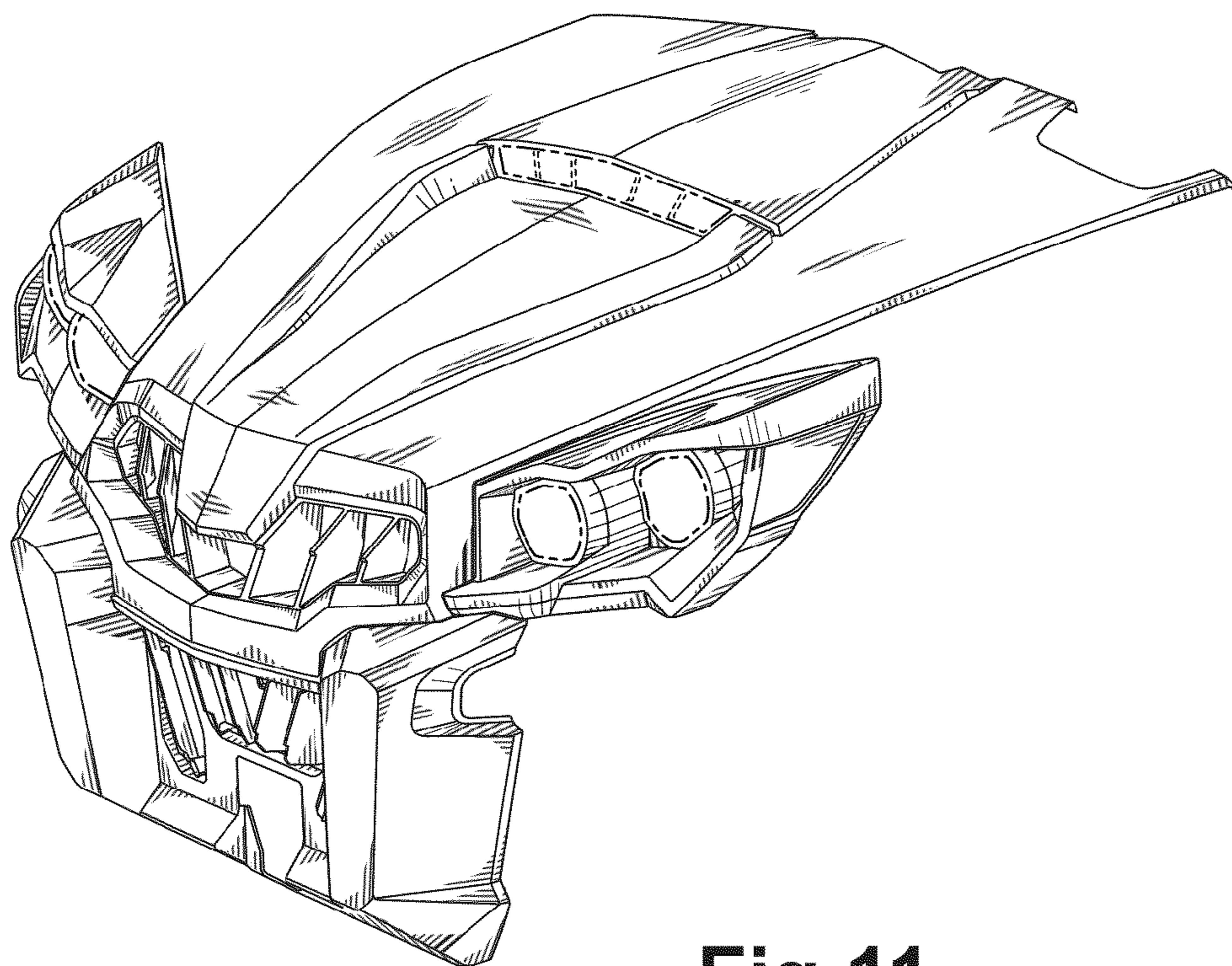


Fig.11

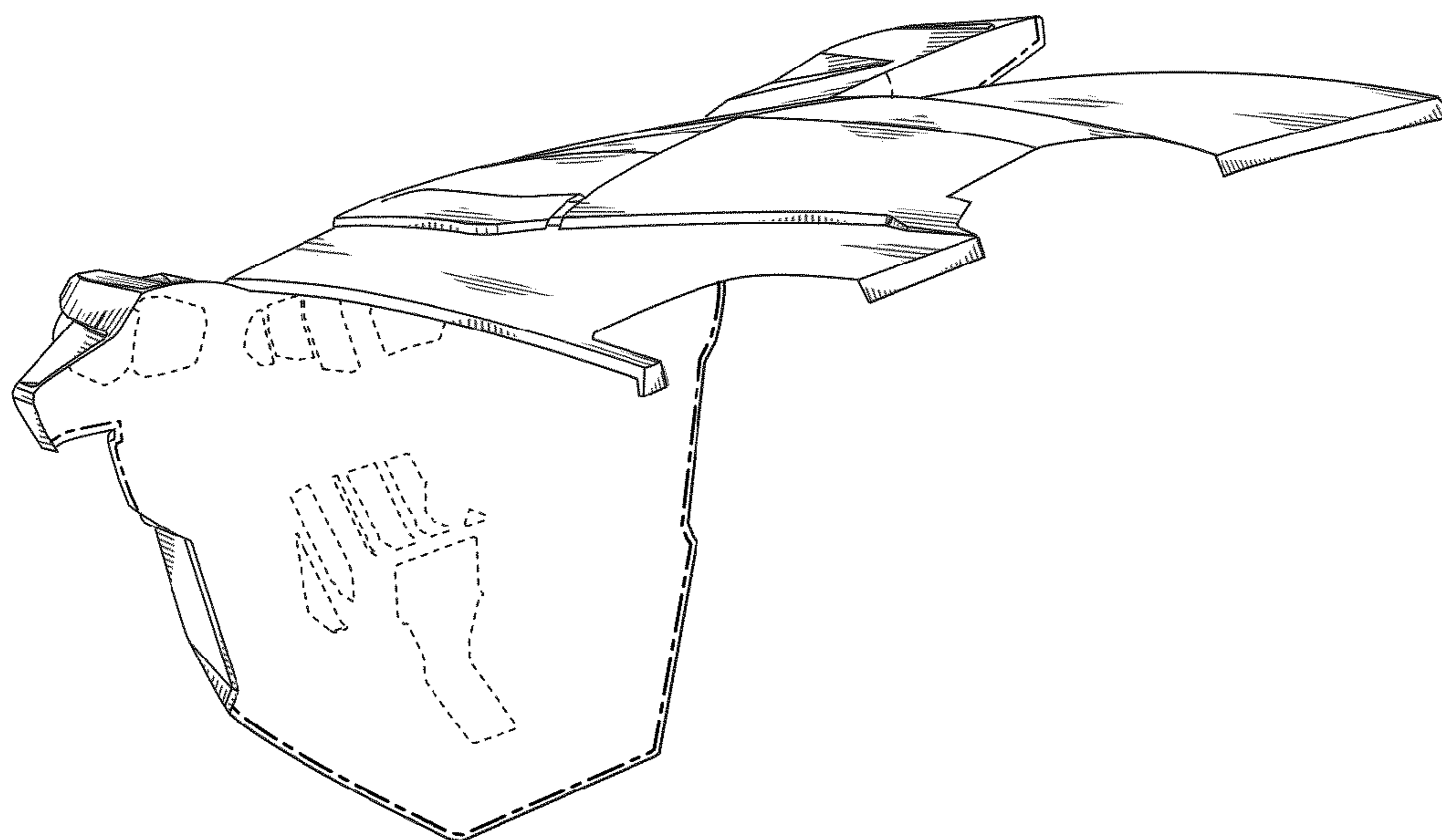


Fig.12

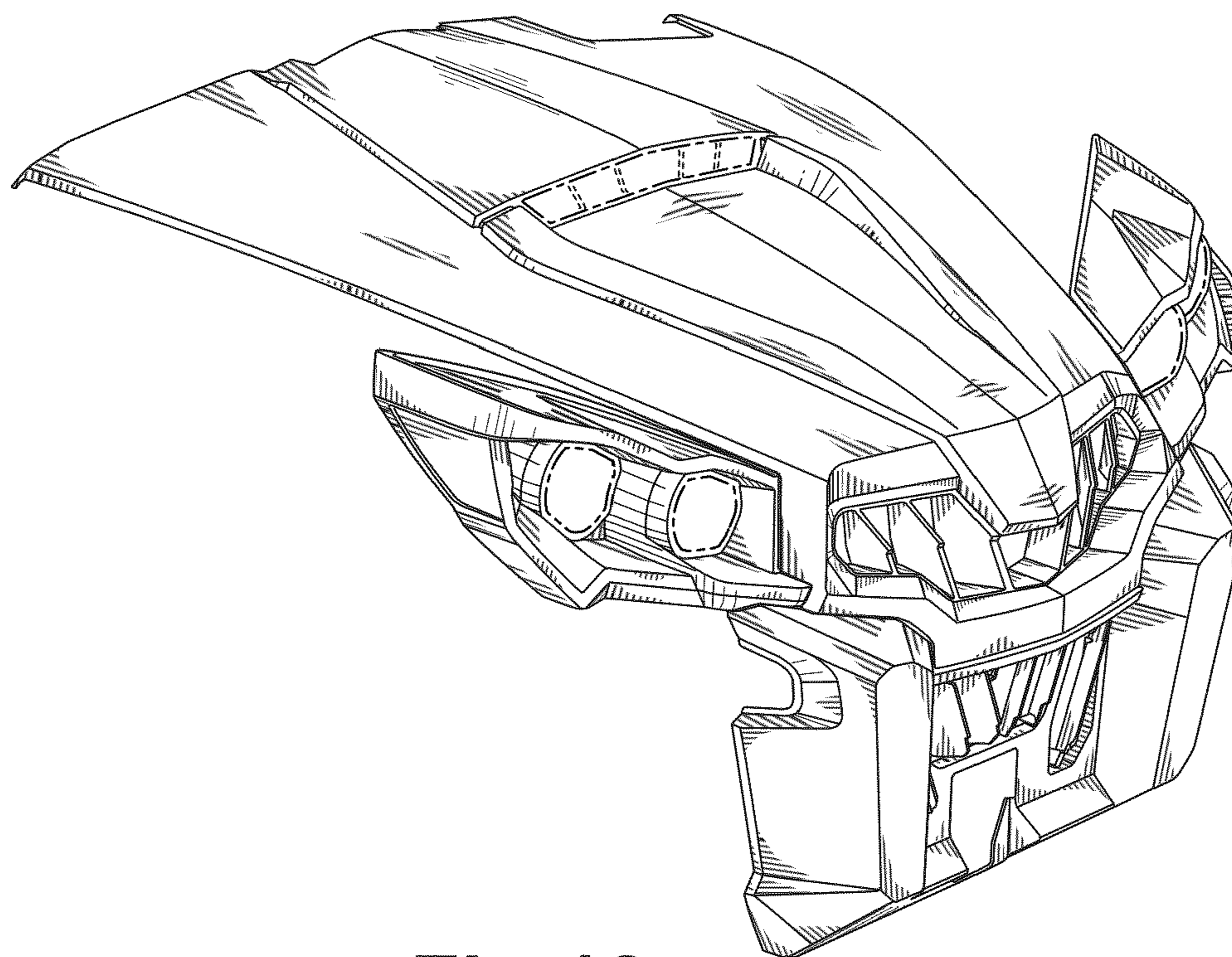


Fig.13

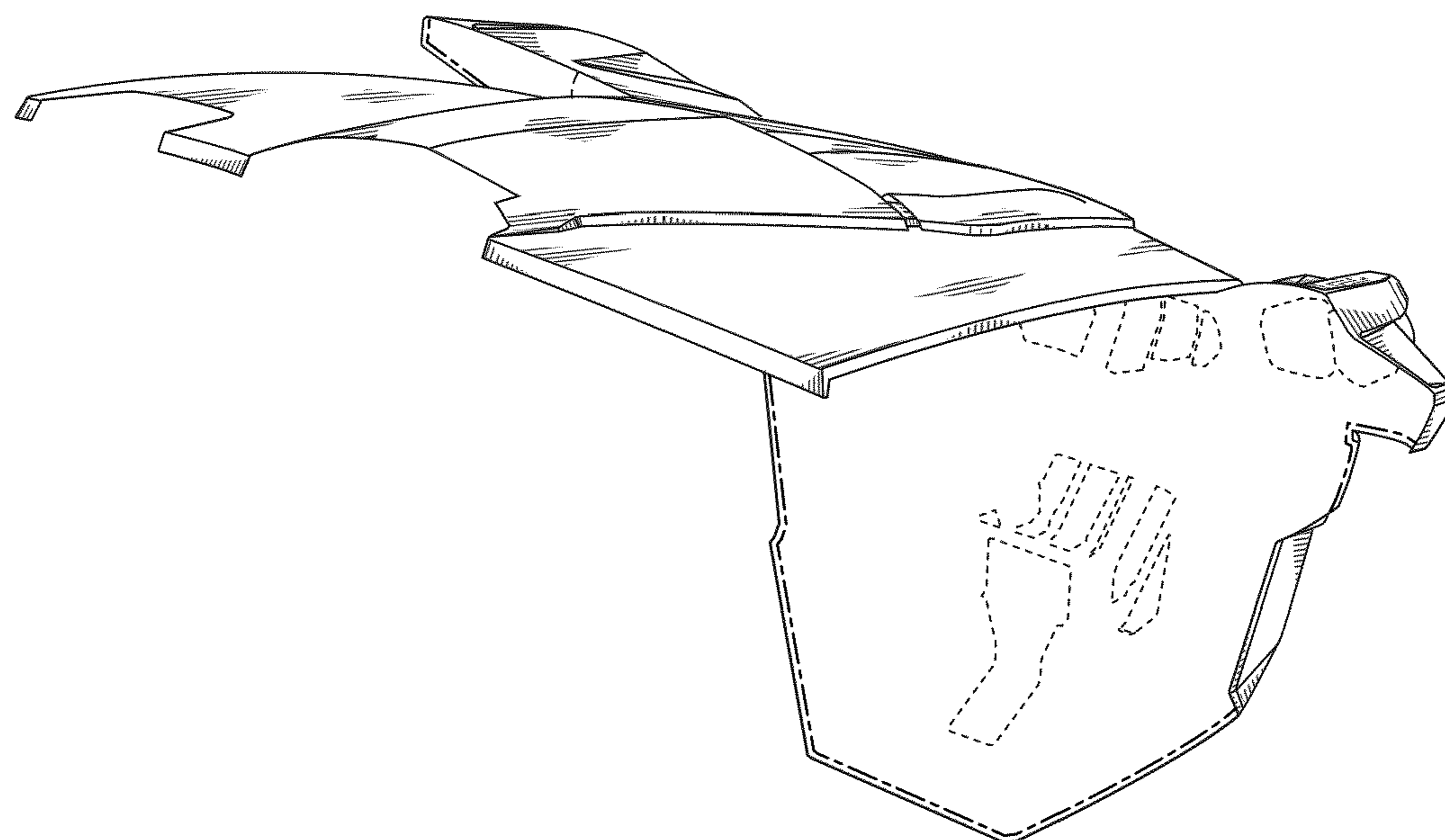


Fig.14

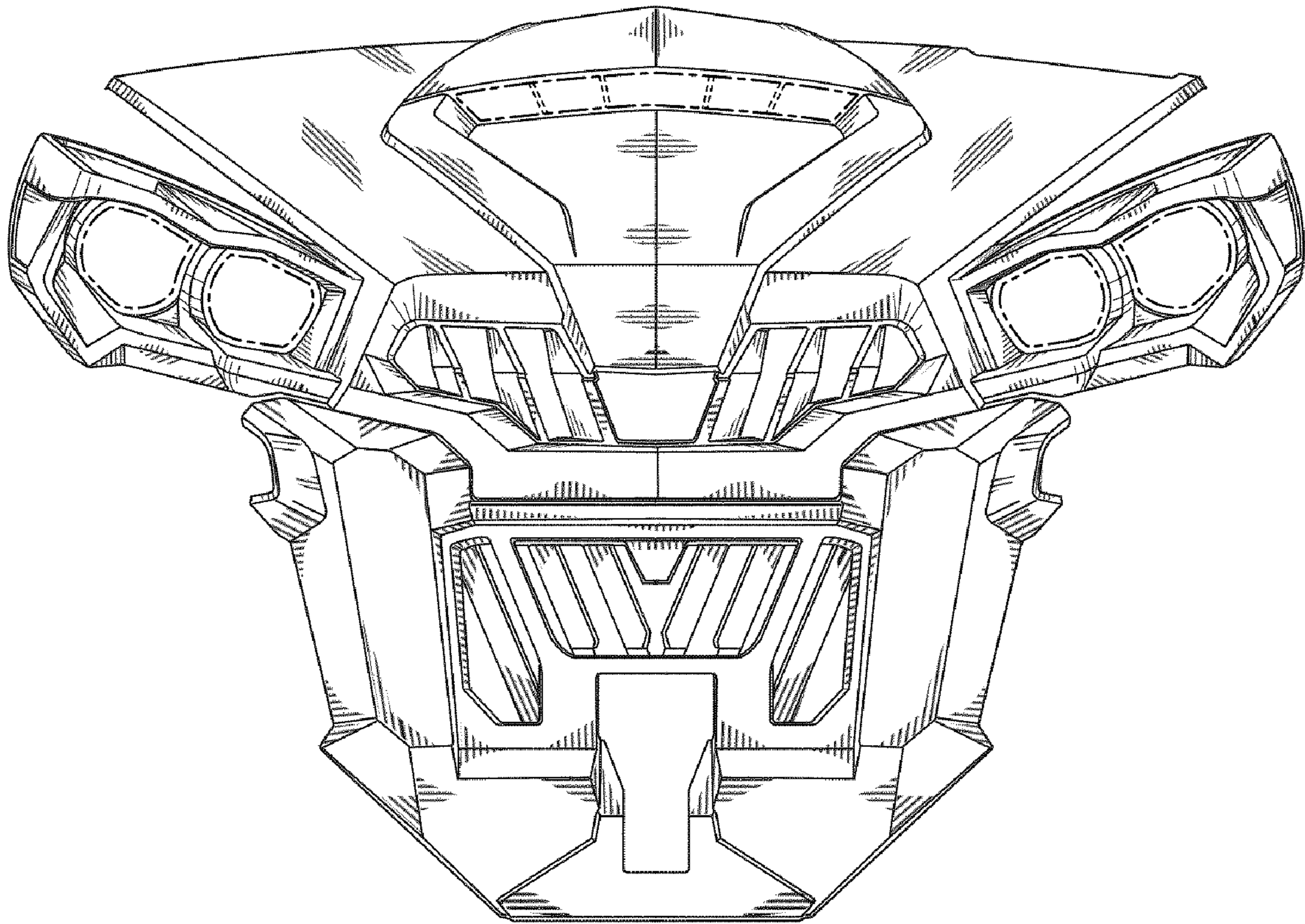


Fig.15

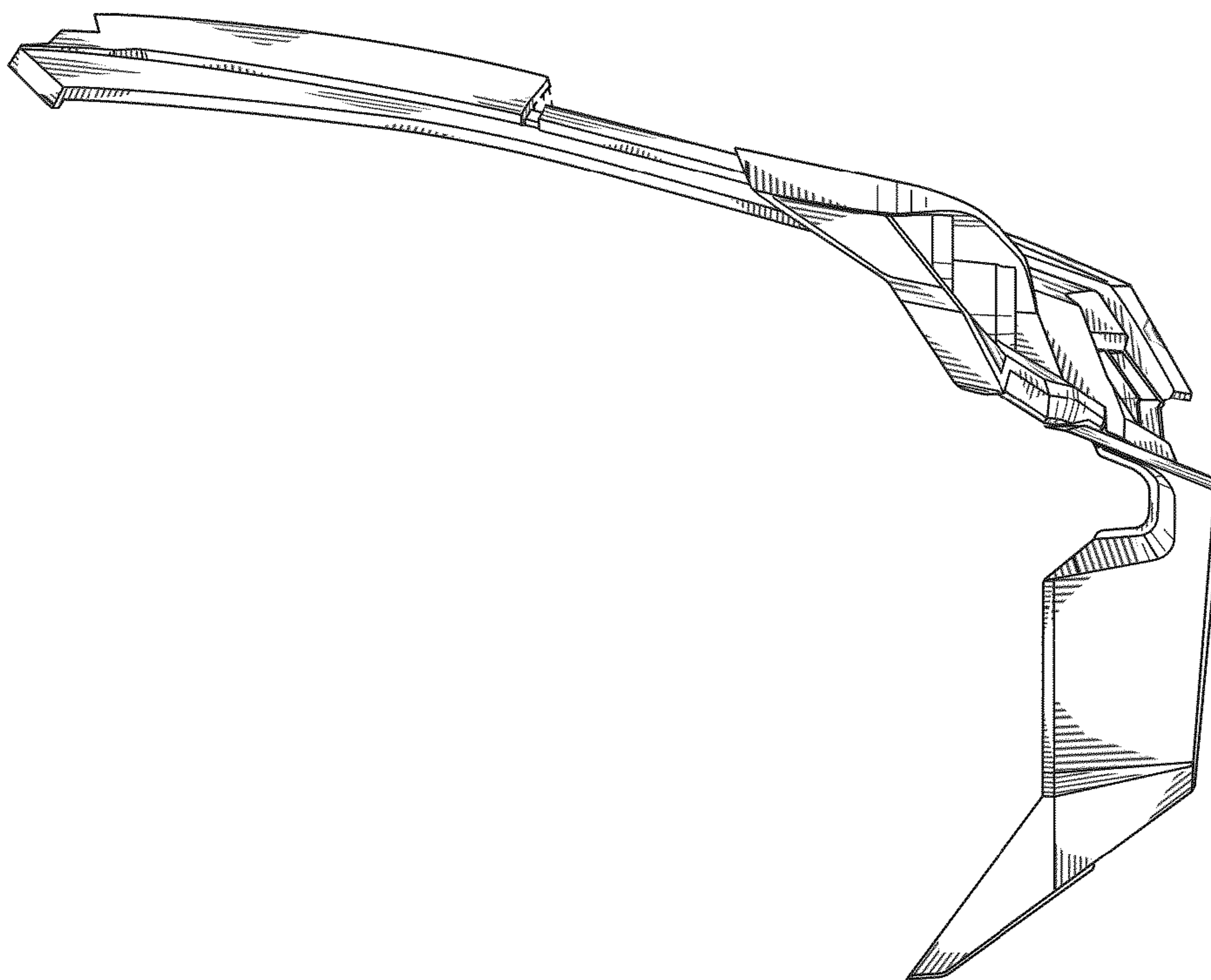


Fig.16

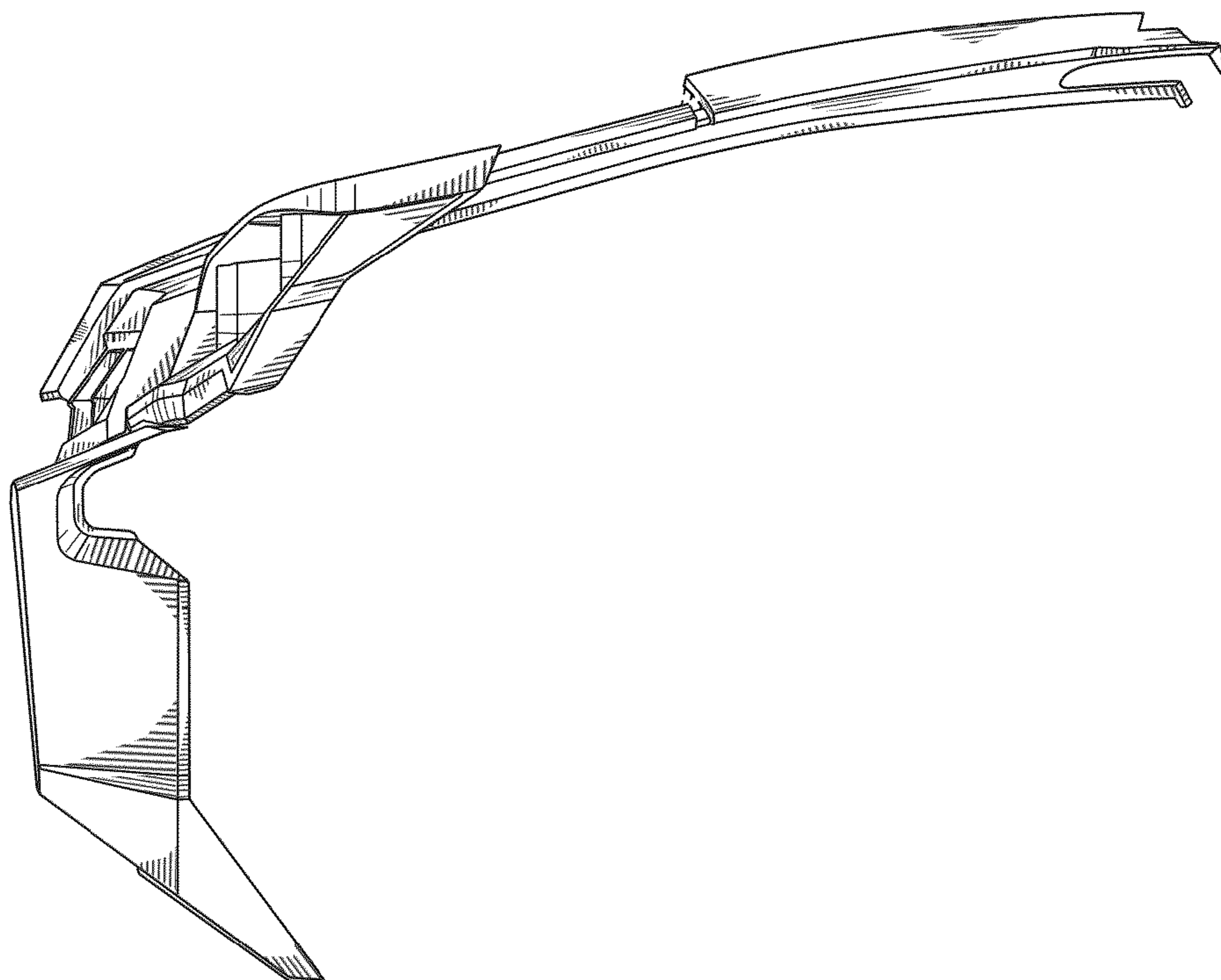


Fig.17

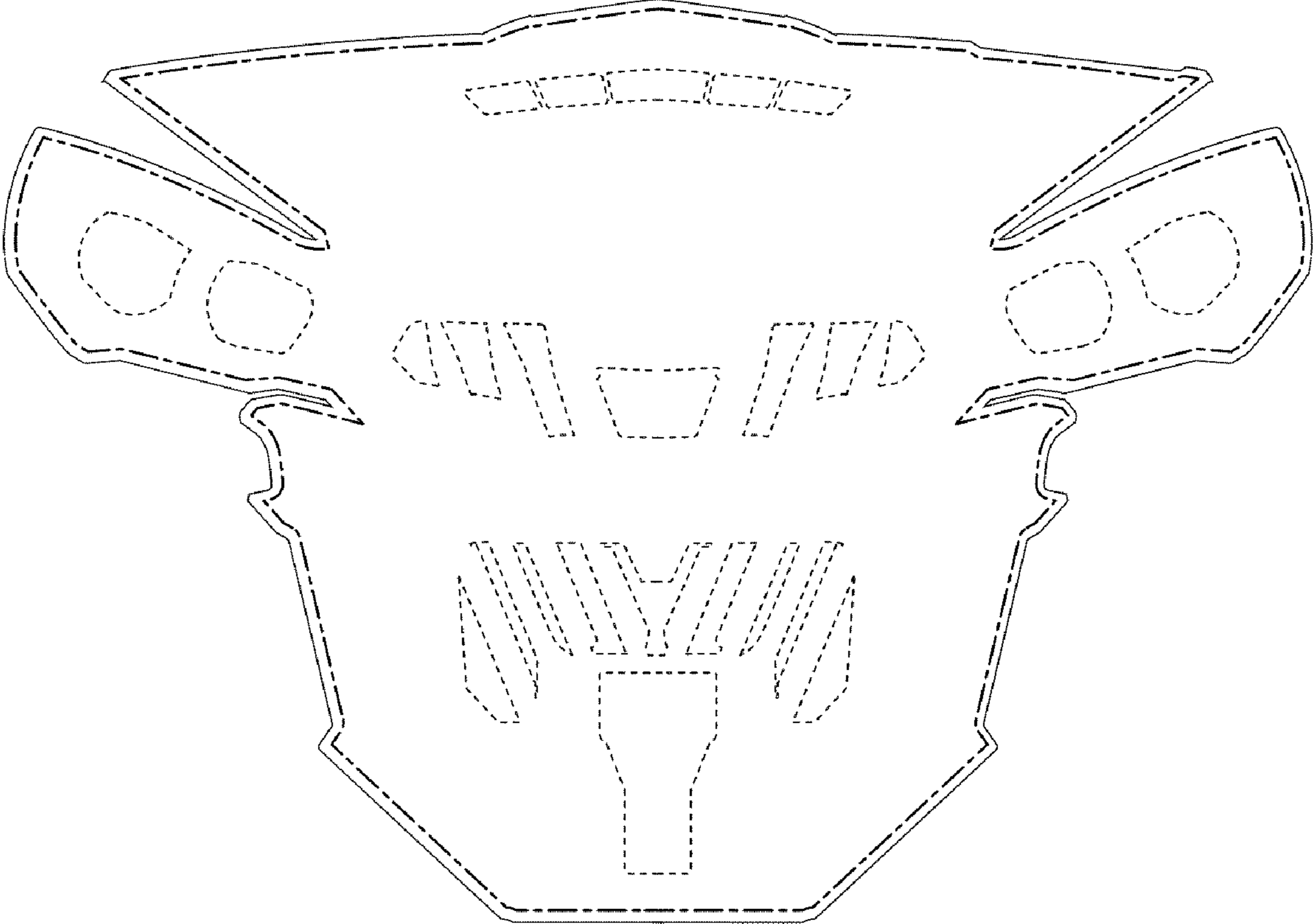


Fig.18

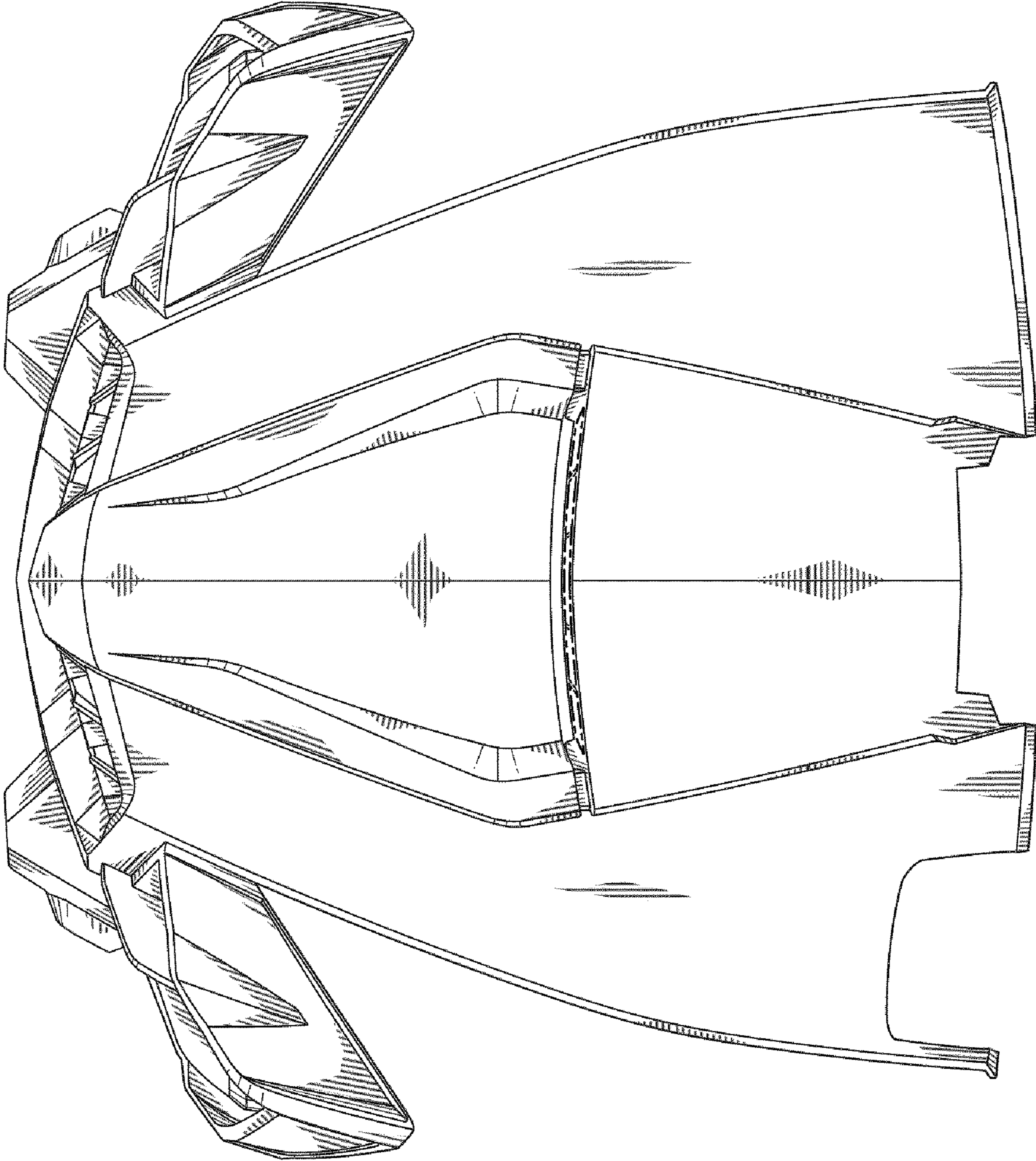


Fig.19

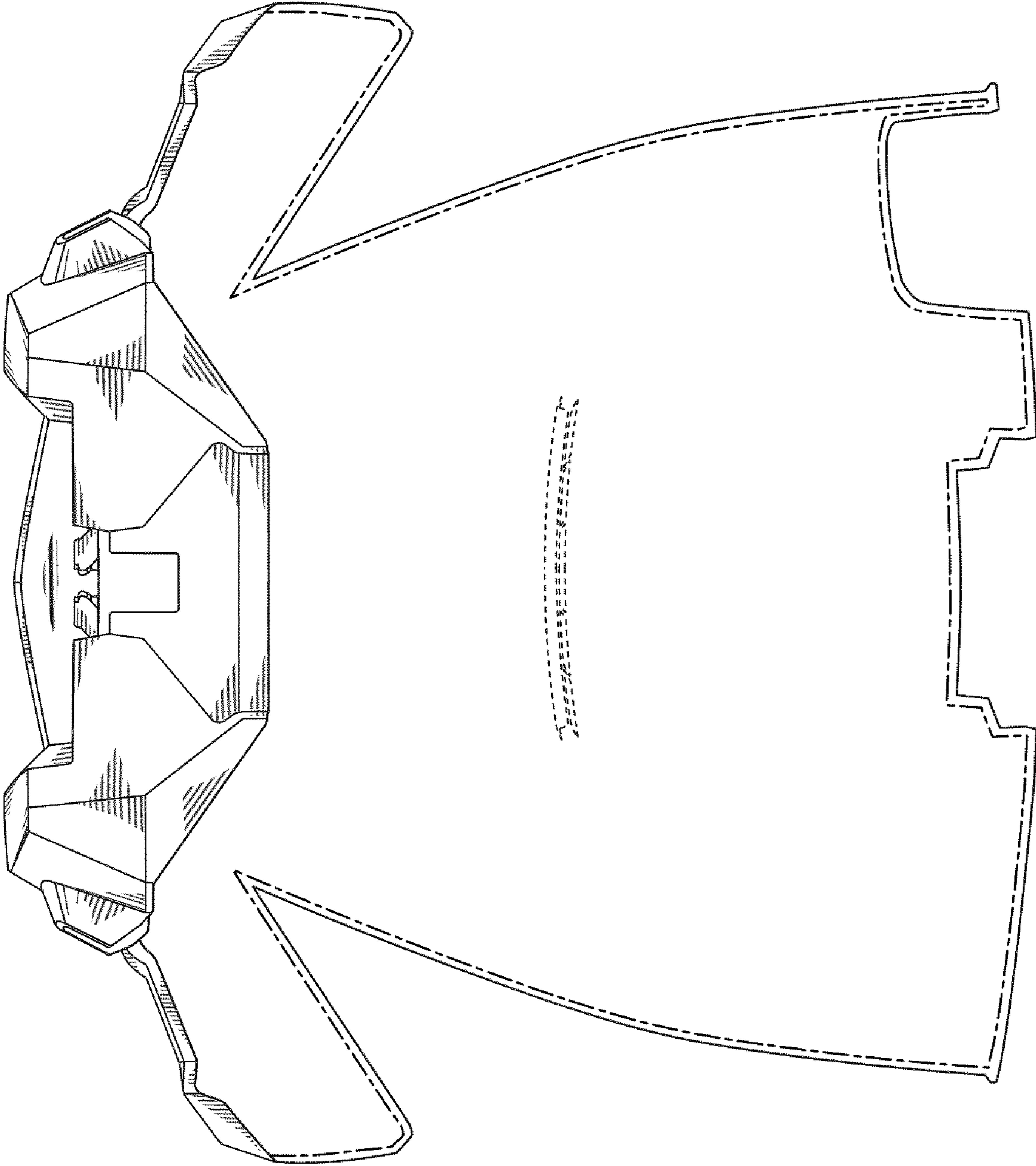


Fig.20

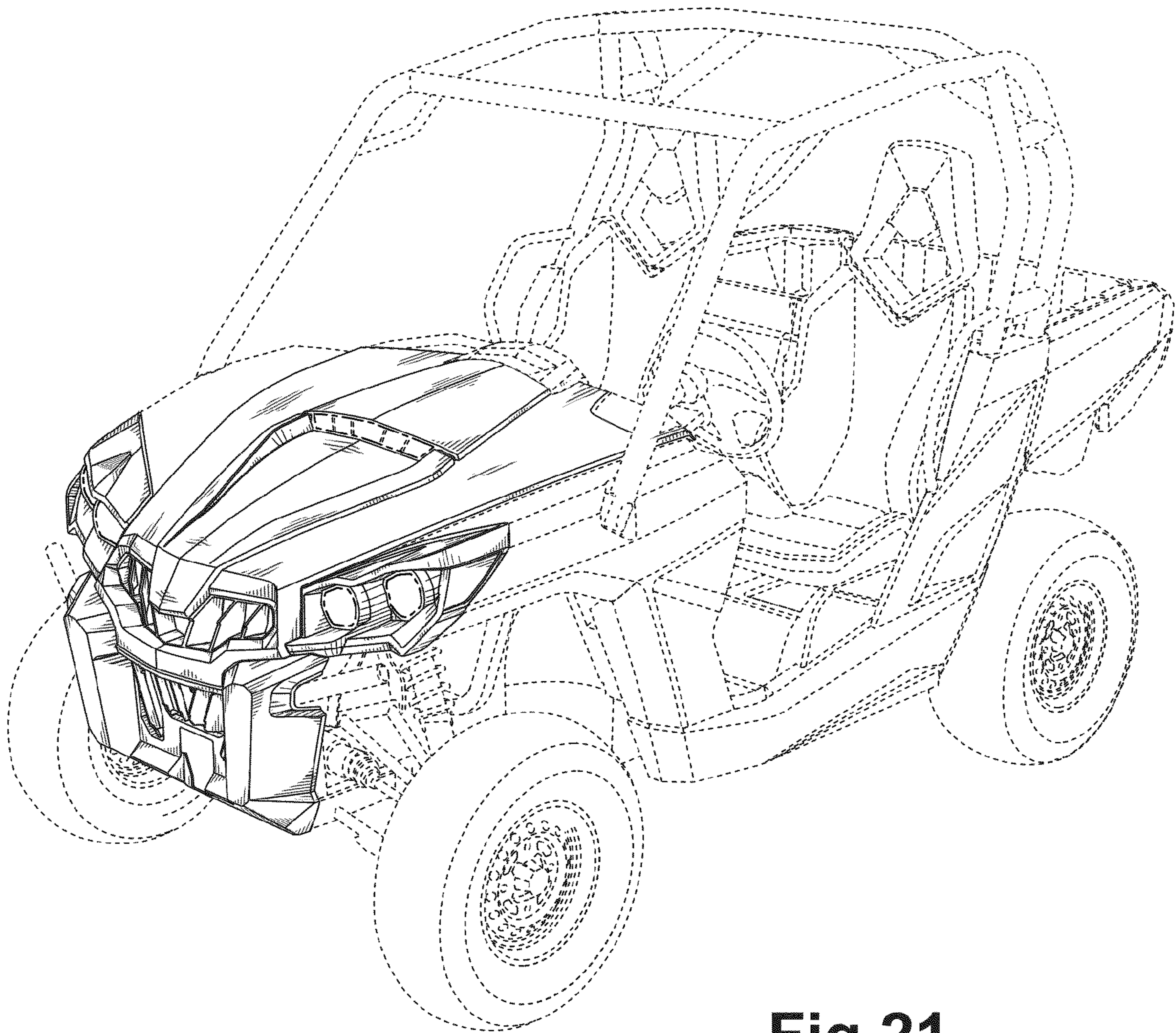


Fig.21

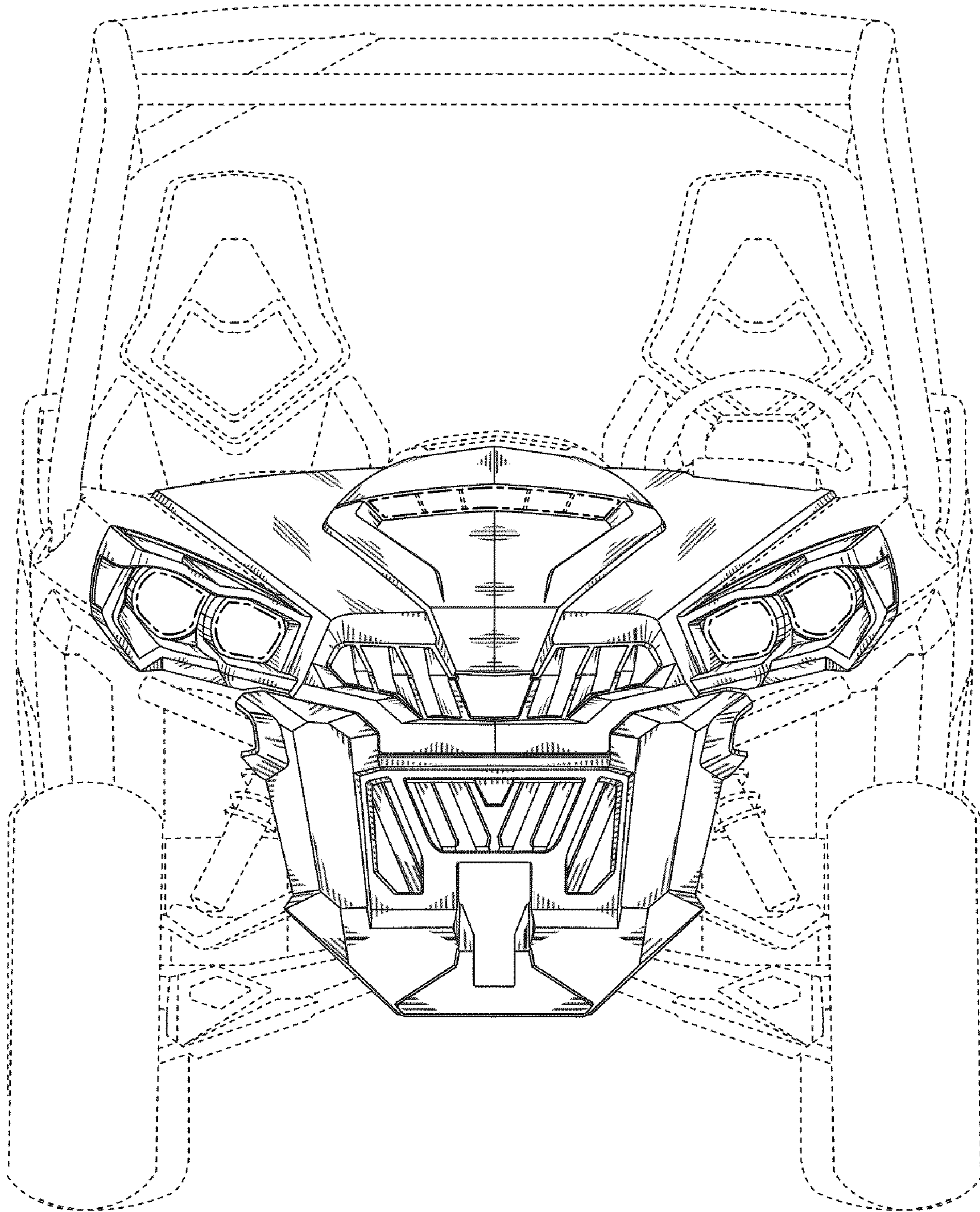


Fig.22