



US00D631791S

(12) **United States Design Patent**
Sanschagrin

(10) **Patent No.:** **US D631,791 S**
(45) **Date of Patent:** **** Feb. 1, 2011**

(54) **UTILITY VEHICLE SIDE FAIRING ASSEMBLY**

(75) Inventor: **Stephane Sanschagrin**, Valcourt (CA)

(73) Assignee: **Bombardier Recreational Products Inc.**, Valcourt (CA)

(**) Term: **14 Years**

(21) Appl. No.: **29/362,949**

(22) Filed: **Jun. 2, 2010**

(51) **LOC (9) Cl.** **12-02**

(52) **U.S. Cl.** **D12/14; D12/181**

(58) **Field of Classification Search** D12/16,
D12/173, 164, 196, 87, 86, 1, 433, 15, 107,
D12/82, 88, 89, 90, 91, 92, 93, 167, 163,
D12/169, 14, 181, 126; D15/30; D21/803;
180/233, 908; 280/DIG. 5, 183, 184, 185,
280/186, 28, 37.7

See application file for complete search history.

(56) **References Cited**

U.S. PATENT DOCUMENTS

D506,961 S *	7/2005	Sugimoto	D12/186
D573,066 S *	7/2008	Ichikawa et al.	D12/126
D603,762 S *	11/2009	Hayashi et al.	D12/126
D605,555 S *	12/2009	Tanaka et al.	D12/14
D607,377 S *	1/2010	Shimomura et al.	D12/14

* cited by examiner

Primary Examiner—T. Chase Nelson

Assistant Examiner—Ania K Dworzecka

(74) *Attorney, Agent, or Firm*—Osler, Hoskin & Harcourt LLP

(57) **CLAIM**

The ornamental design for a utility vehicle side fairing assembly, as shown and described.

DESCRIPTION

FIG. 1 is a perspective view taken from a front, left side of a left utility vehicle side fairing assembly according to my design;

FIG. 2 is a perspective view taken from a rear, left side thereof;

FIG. 3 is a top plan view thereof;

FIG. 4 is a left side elevation view thereof;

FIG. 5 is a bottom plan view thereof;

FIG. 6 is a front elevation view thereof;

FIG. 7 is a rear elevation view thereof;

FIG. 8 is a right side elevation view thereof;

FIG. 9 is a perspective view taken from a front, left side the utility vehicle side fairing assembly of FIG. 1 shown on a utility vehicle shown in dotted lines;

FIG. 10 is a left side elevation view of the utility vehicle side fairing assembly of FIG. 1 shown on a utility vehicle shown in dotted lines;

FIG. 11 is a perspective view taken from a front, right side of a right utility vehicle side fairing assembly according to my design;

FIG. 12 is a perspective view taken from a rear, right side thereof;

FIG. 13 is a top plan view thereof;

FIG. 14 is a right side elevation view thereof;

FIG. 15 is a bottom plan view thereof;

FIG. 16 is a front elevation view thereof;

FIG. 17 is a rear elevation view thereof;

FIG. 18 is a left side elevation view thereof;

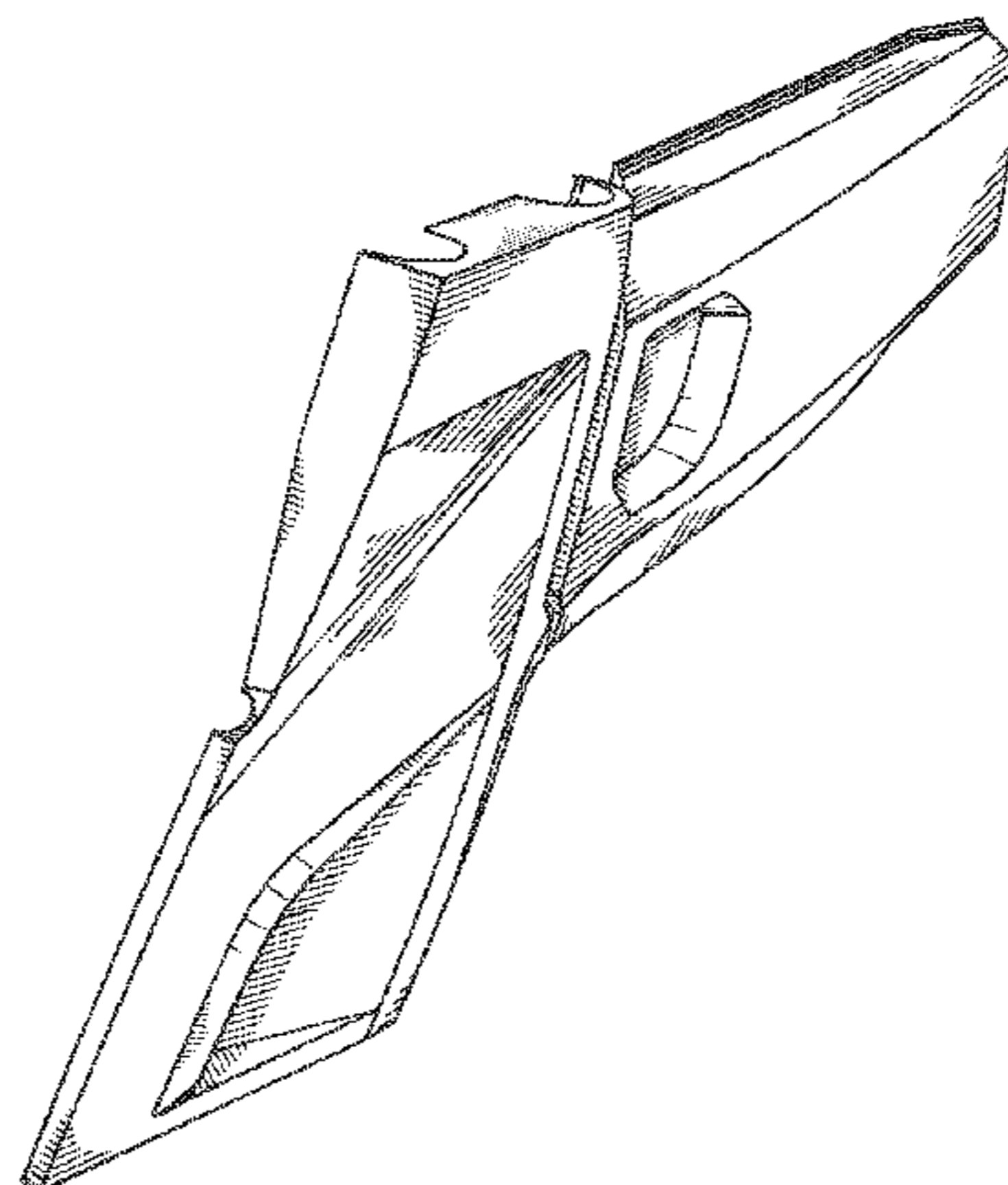
FIG. 19 is a perspective view taken from a front, right side of the utility vehicle side fairing assembly of FIG. 11 shown on a utility vehicle shown in dotted lines; and,

FIG. 20 is a right side elevation view of the utility vehicle side fairing assembly of FIG. 11 shown on a utility vehicle shown in dotted lines.

Throughout the Figures, where shown: (i) the broken lines showing additional structure of the utility vehicle side fairing assembly and the utility vehicle on which it is shown are for illustrative purposes only and form no part of the claimed design; and (ii) in FIGS. 1, 2, 3, 5, 6, 7, 8, 11, 12, 13, 15, 16, 17 and 18, the dotted/dashed lines immediately adjacent solid lines represent unclaimed boundaries of the claimed design and as such, the configuration of the unshaded surfaces defined by those dotted/dashed lines form no part of the claimed design. Portions of the utility vehicle side fairing assembly not shown in the Figures and not otherwise described in this Specification do not form part of the claimed design.

Throughout the Figures, the unshaded surfaces do not form part of the claimed design.

1 Claim, 10 Drawing Sheets



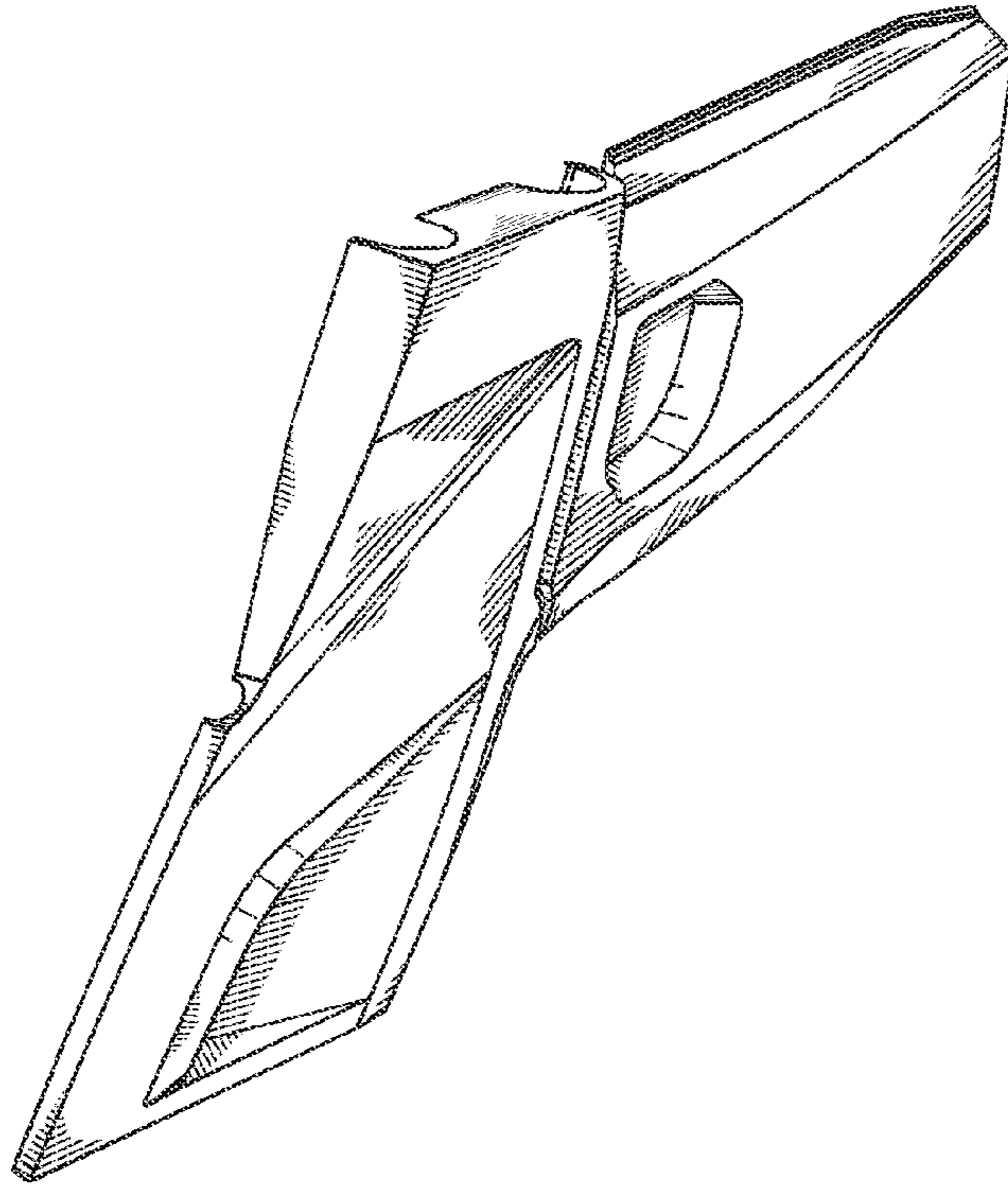


Fig.1

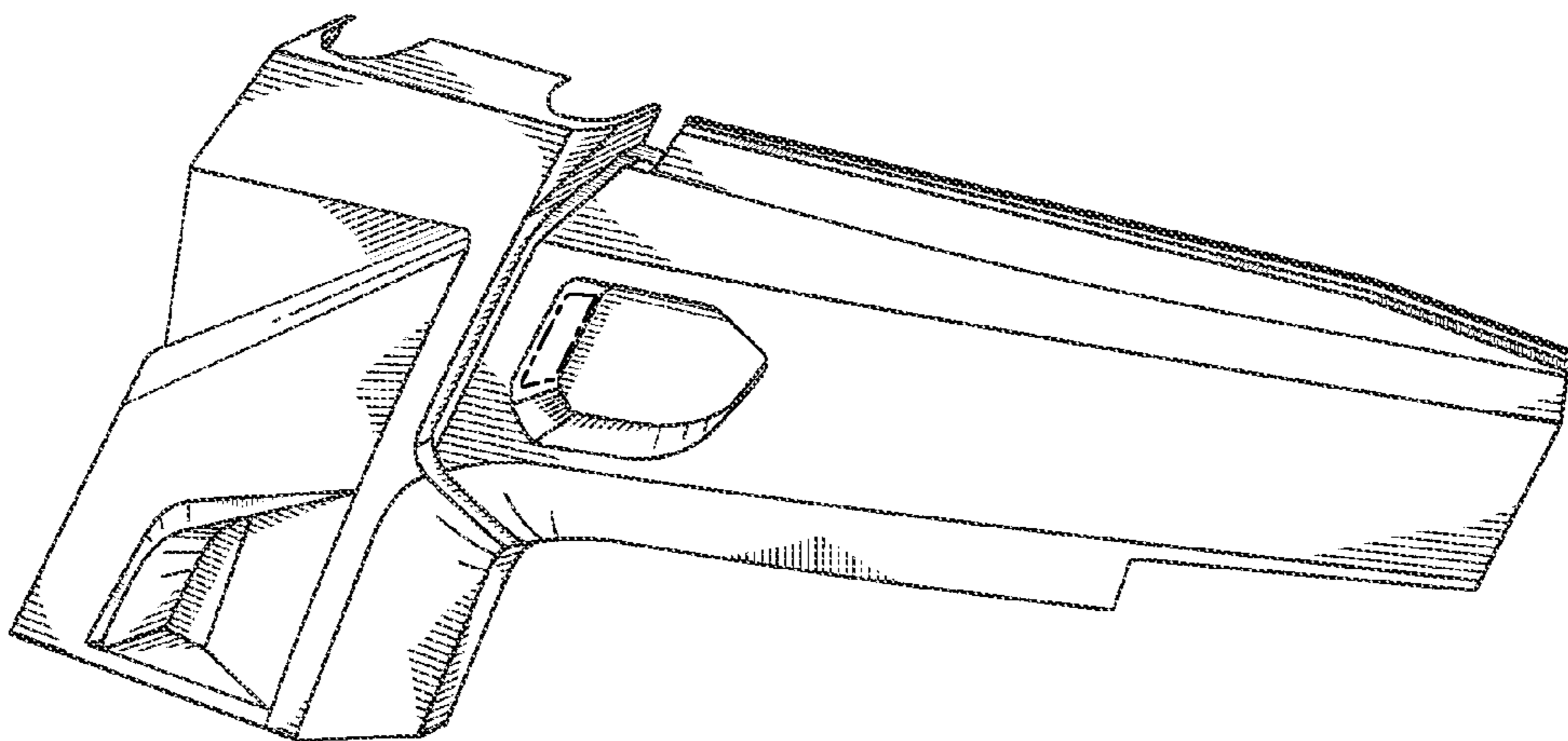


Fig.2

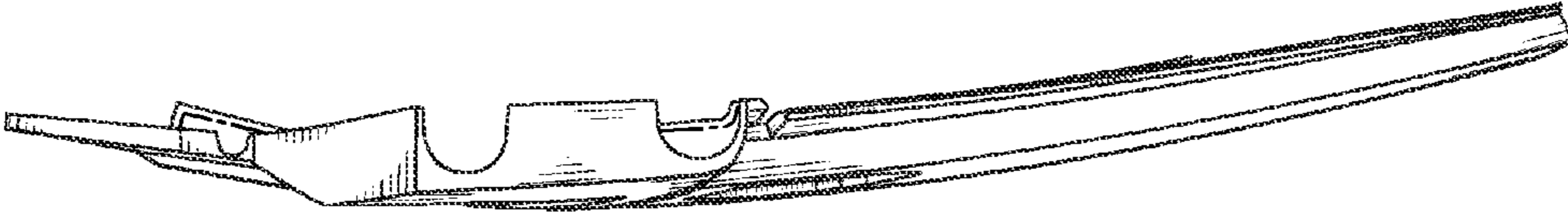


Fig.3

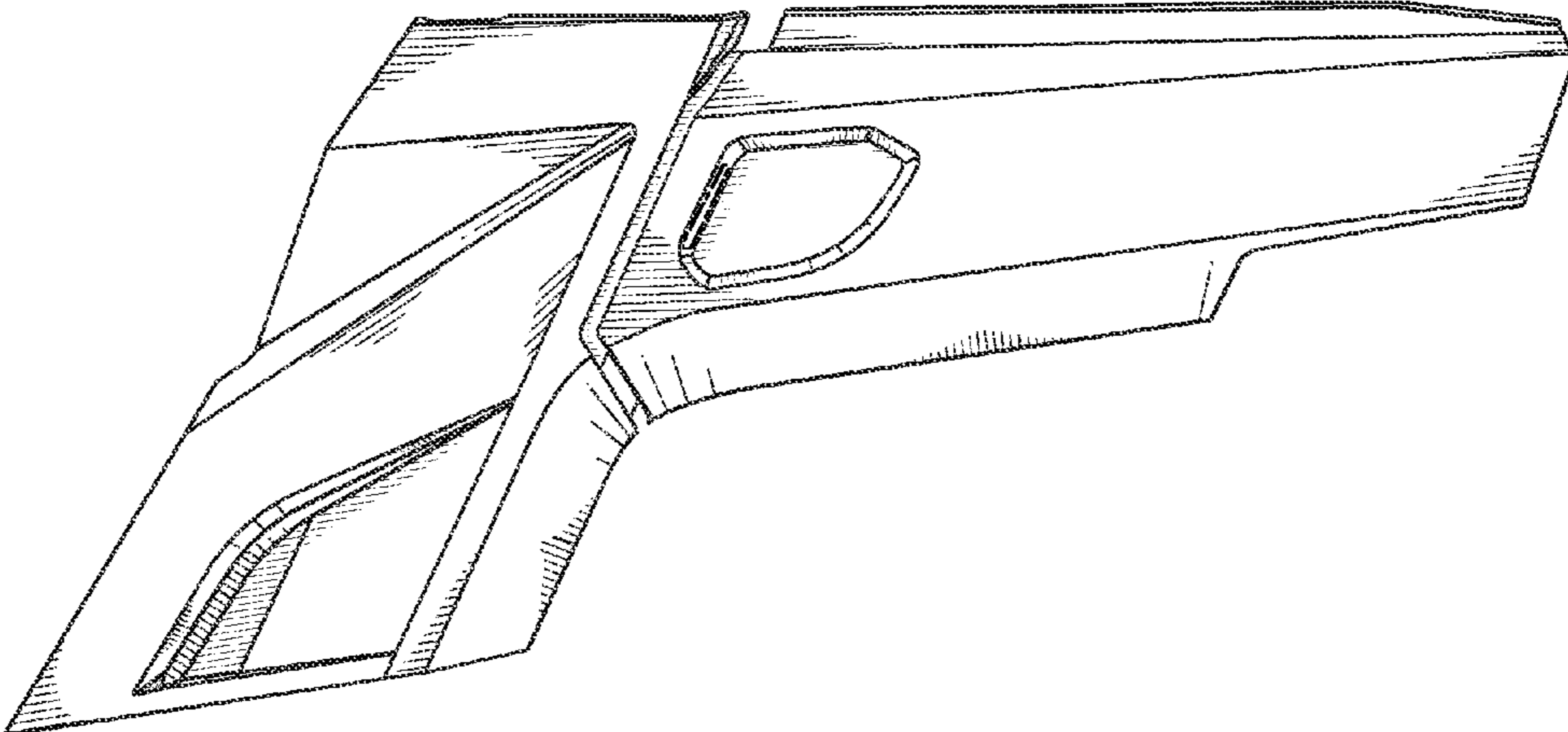


Fig.4

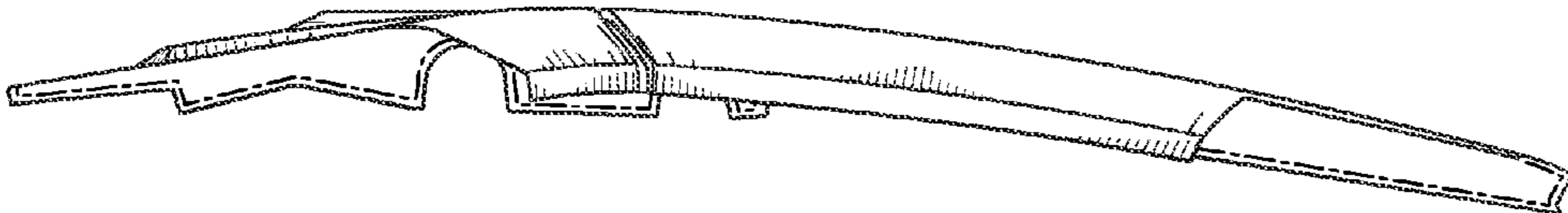


Fig.5

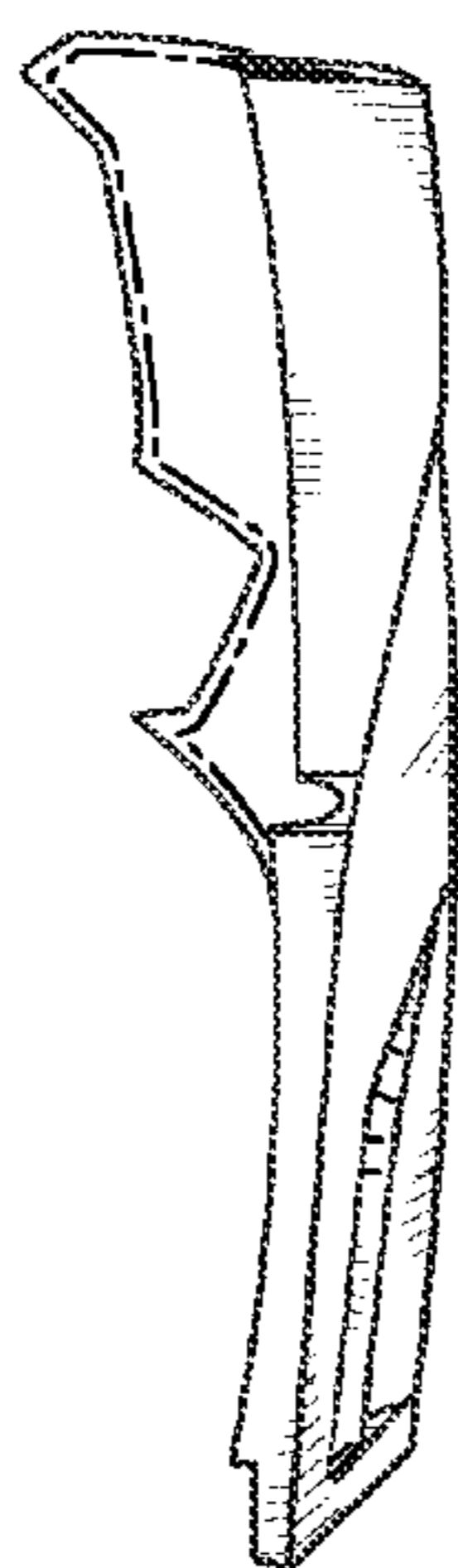


Fig.6

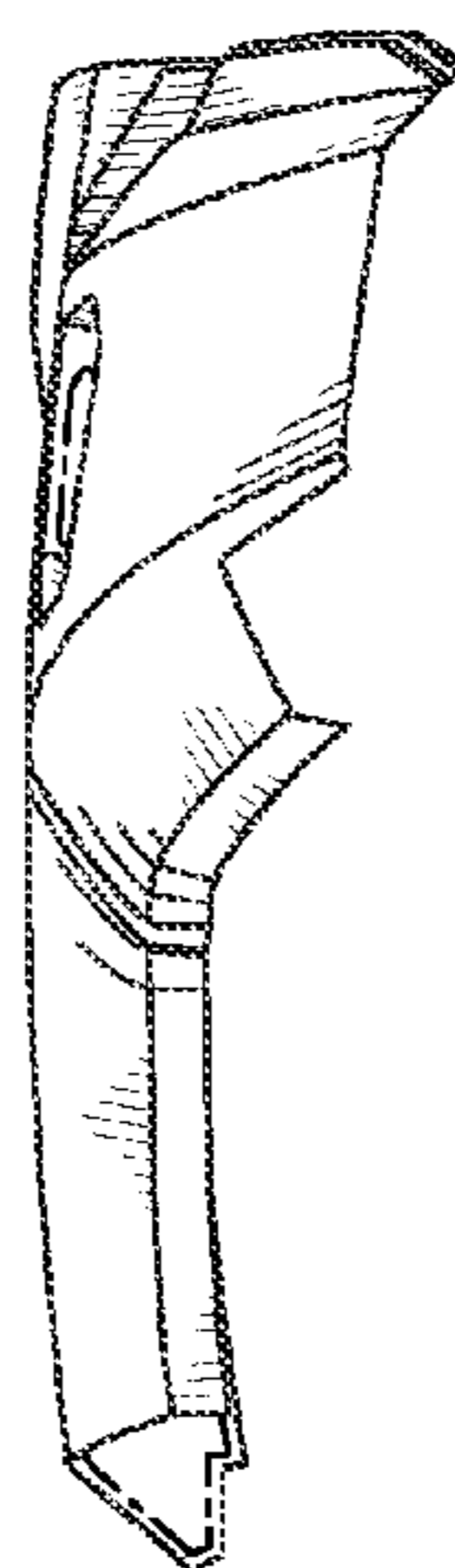


Fig.7

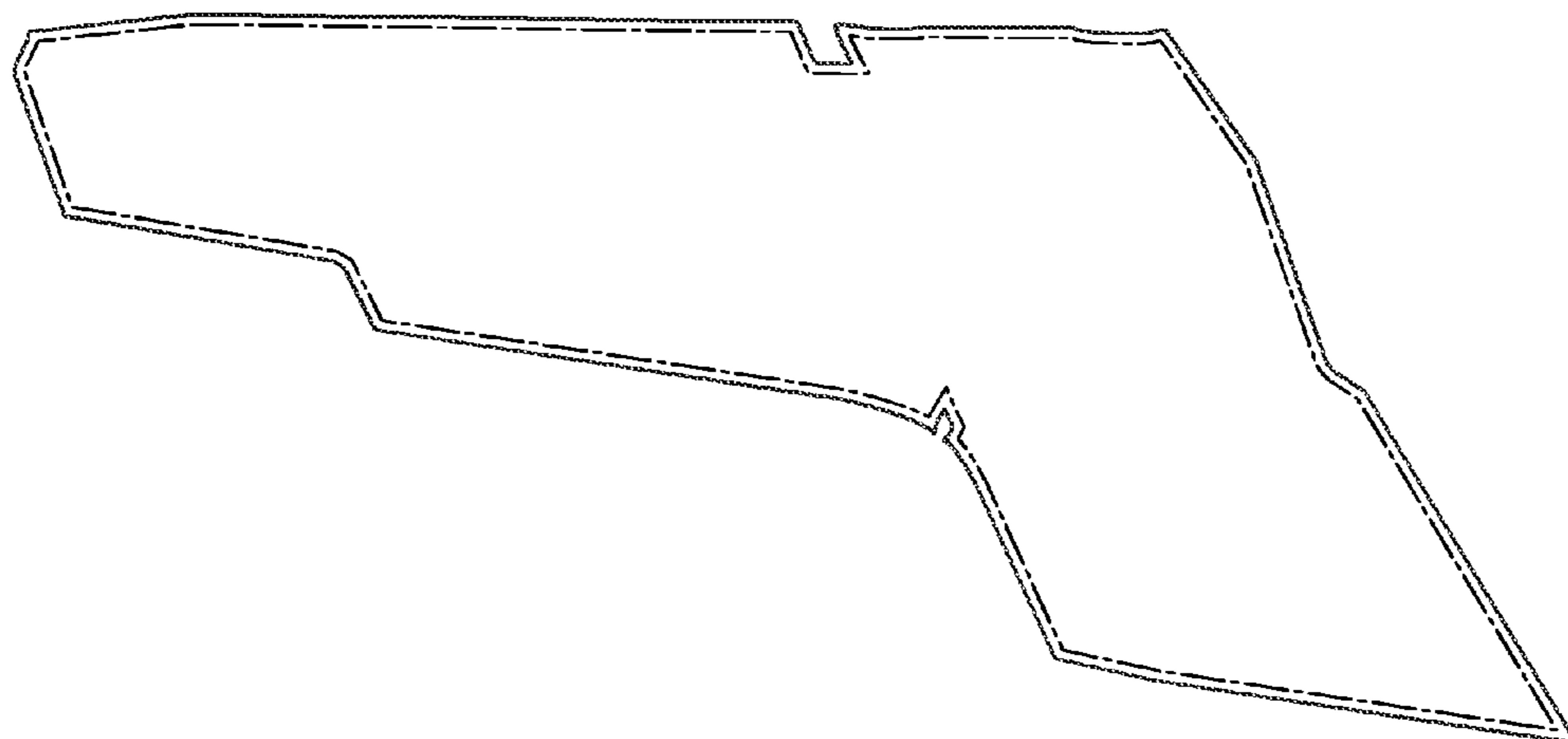


Fig.8

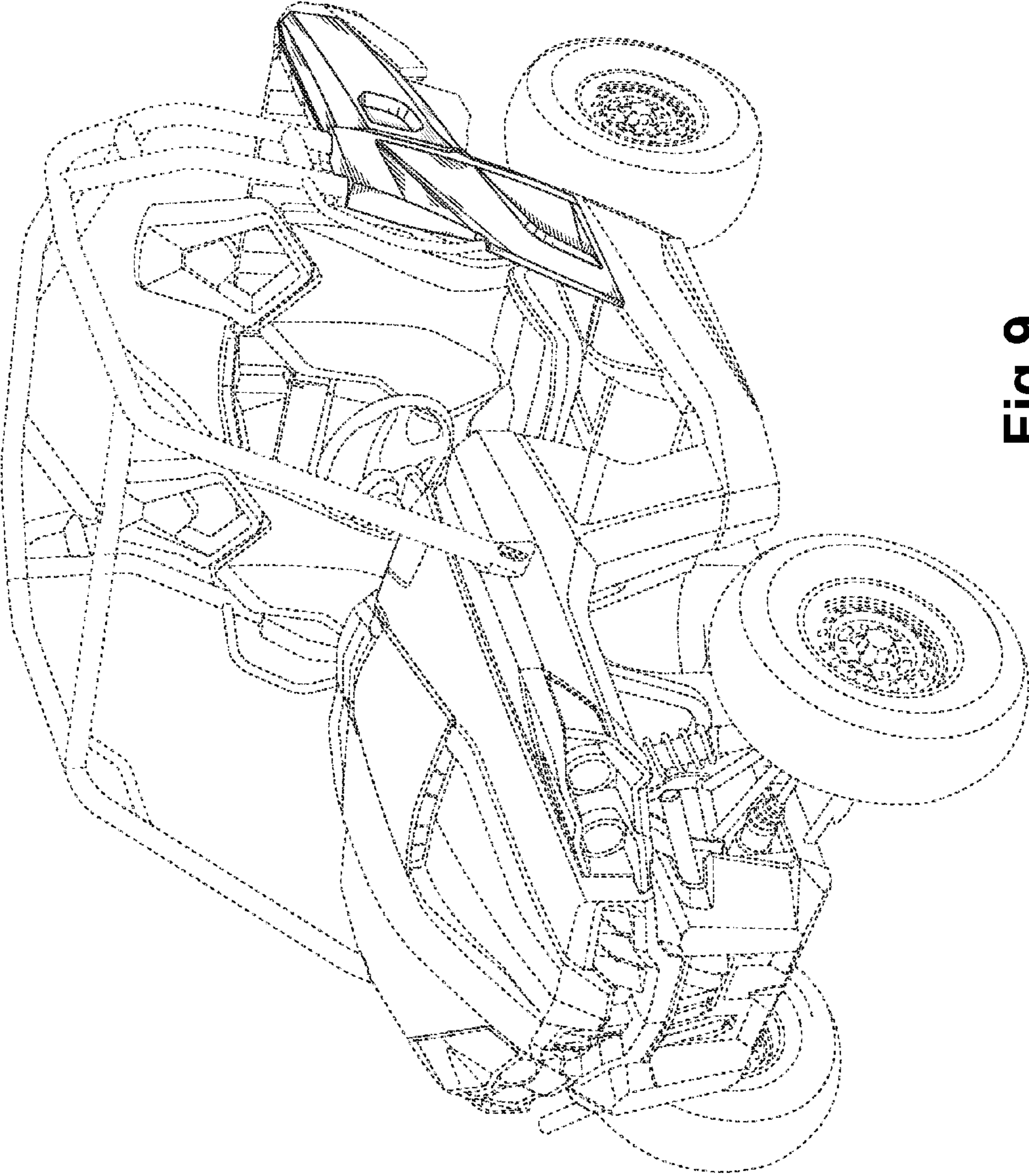


Fig.9

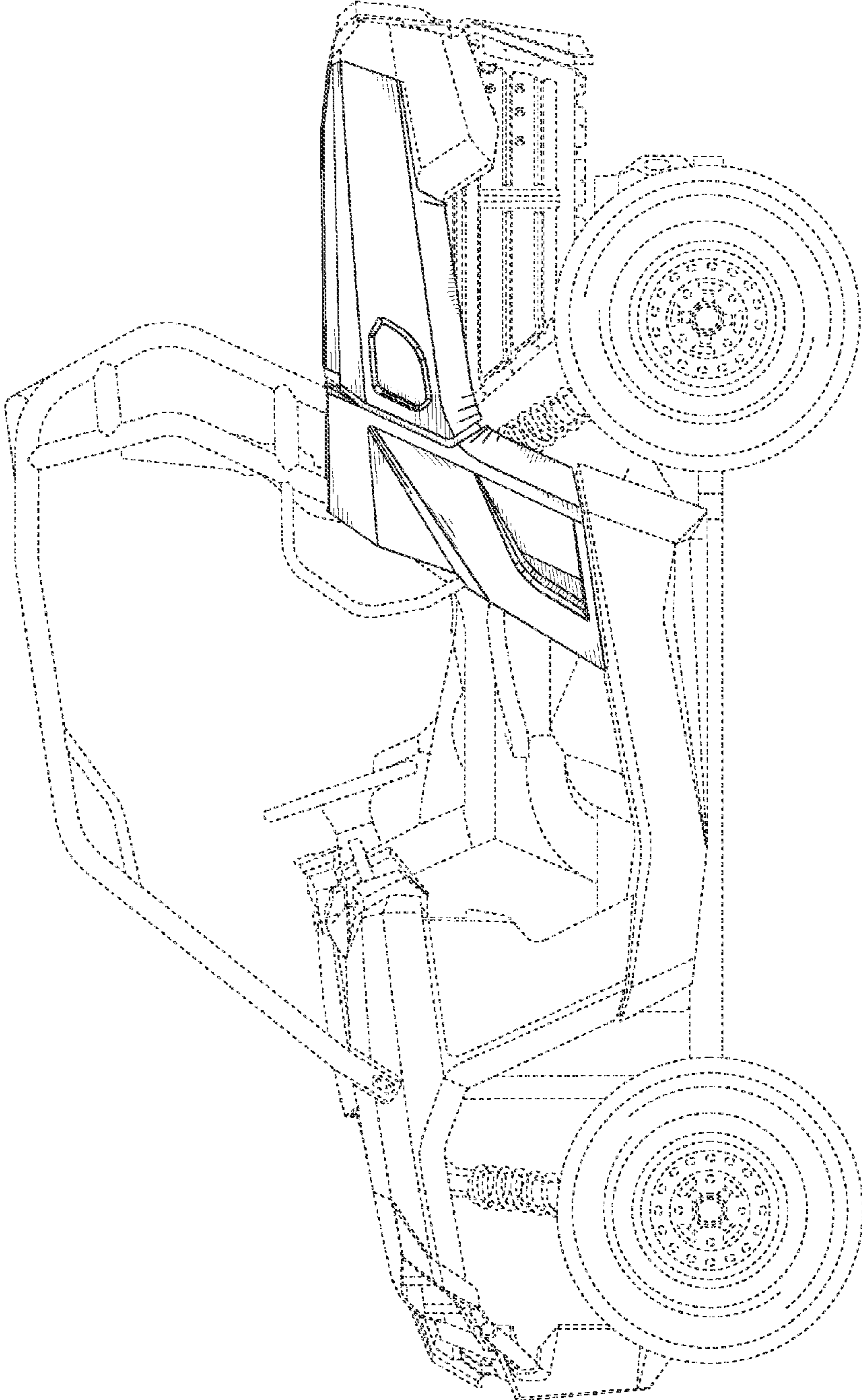


Fig.10

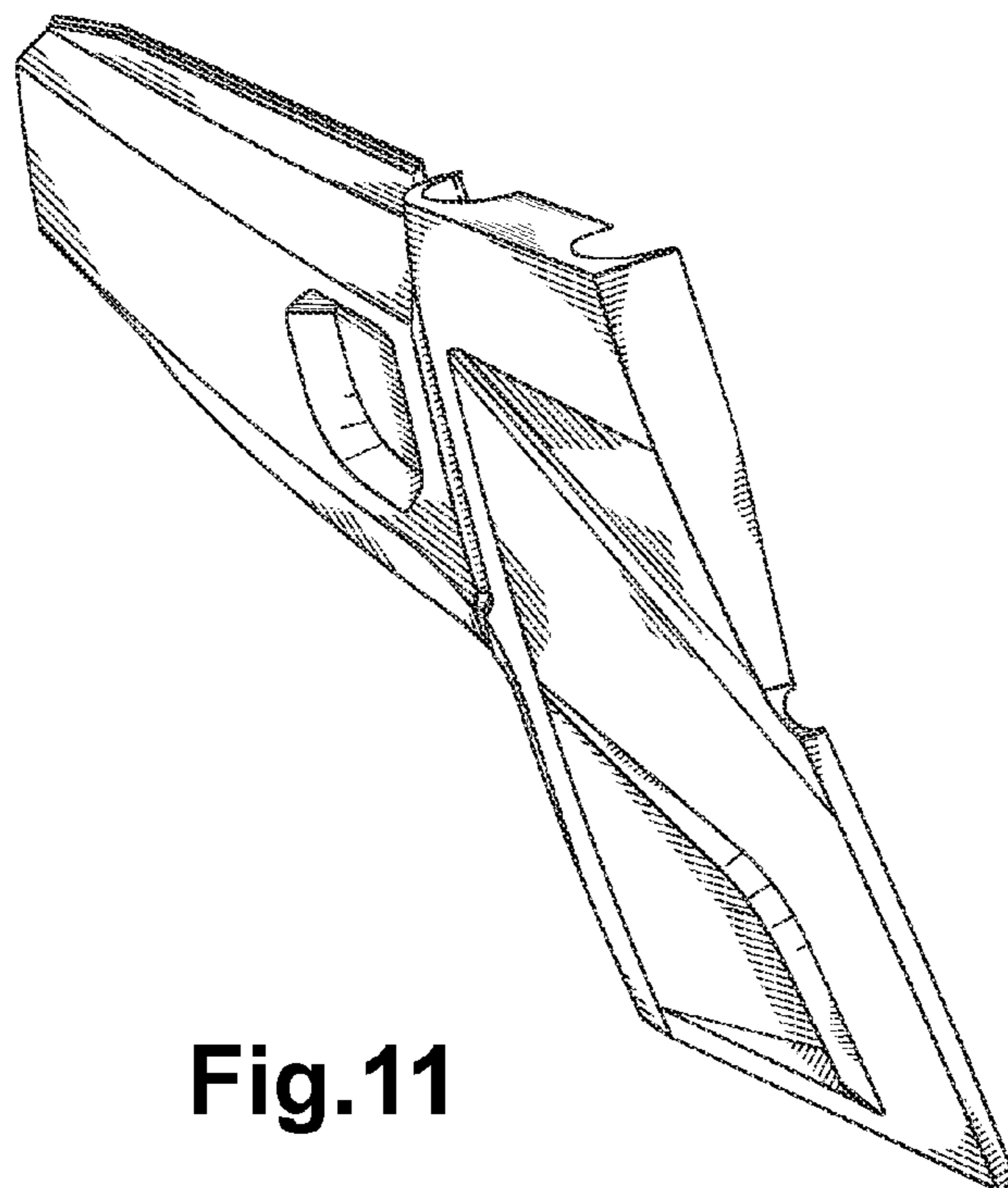


Fig.11

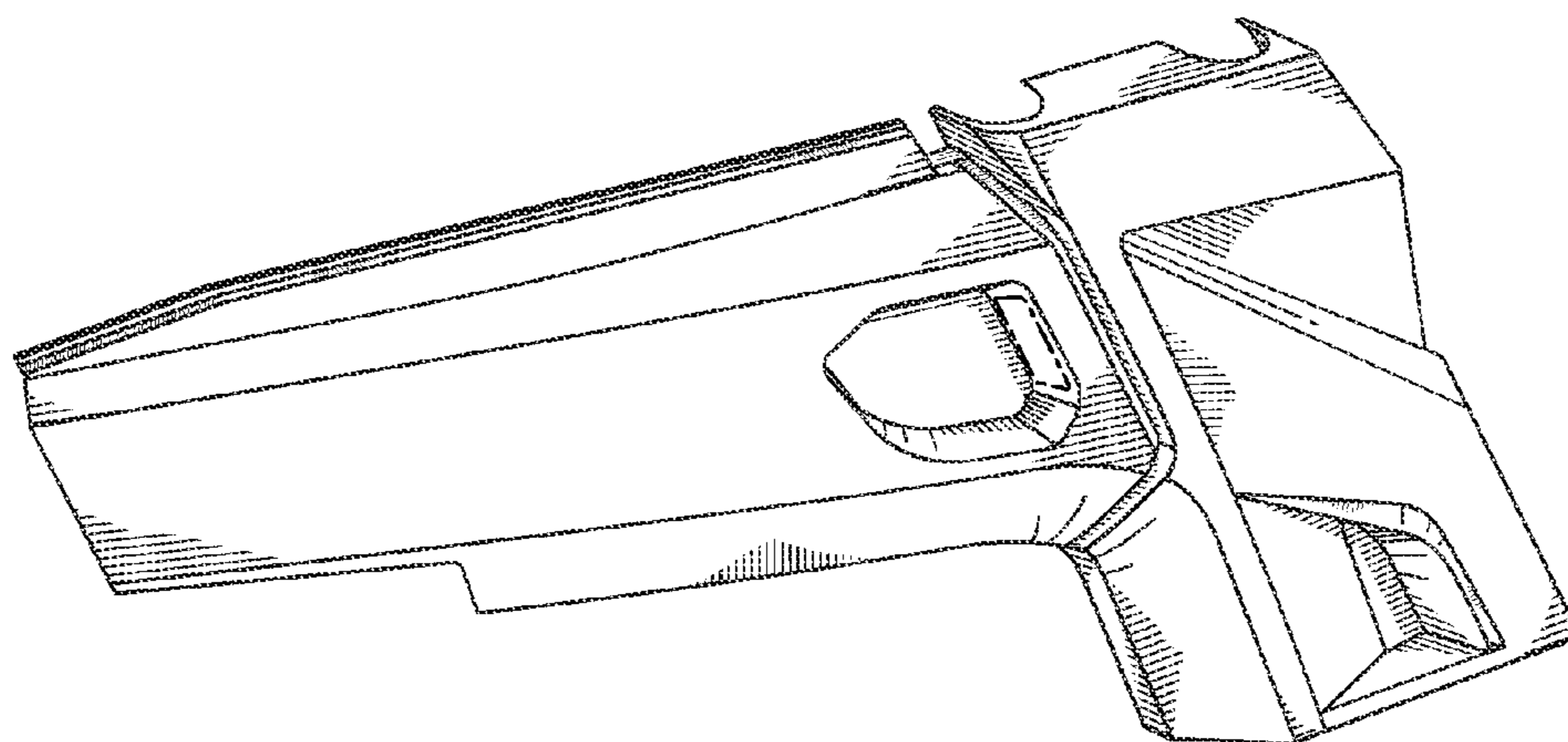


Fig.12

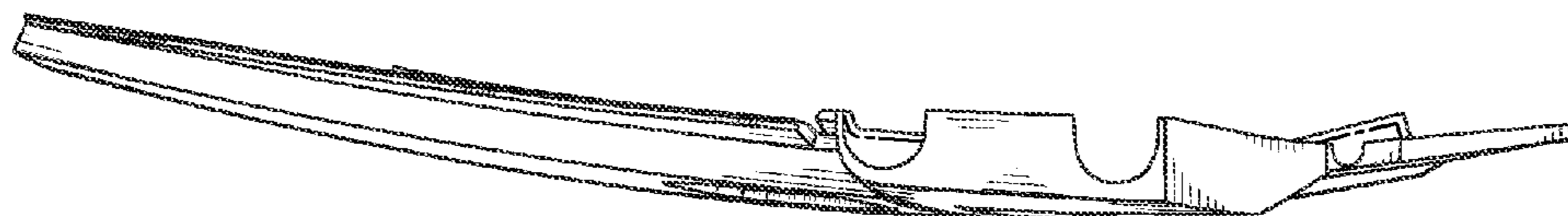


Fig.13

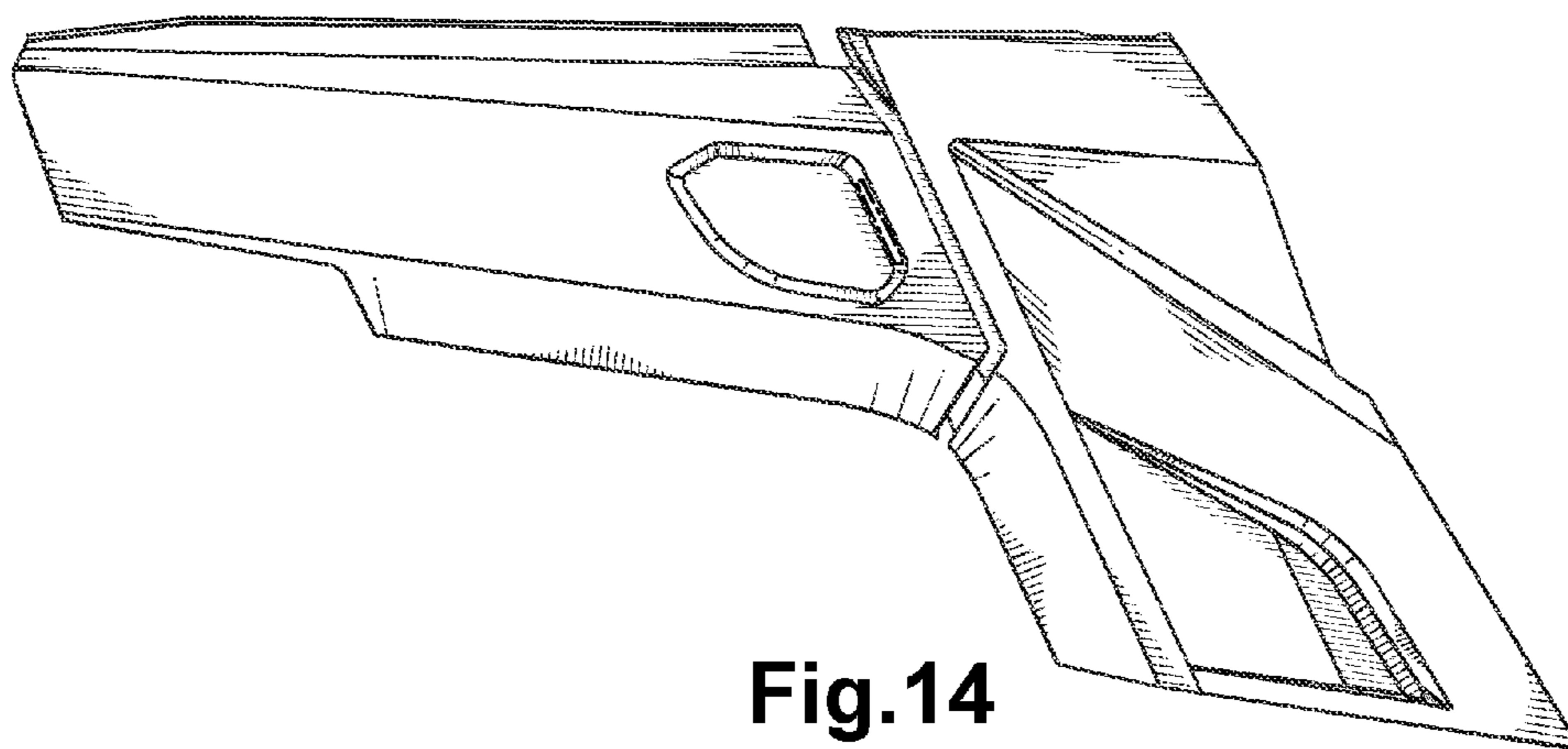


Fig.14

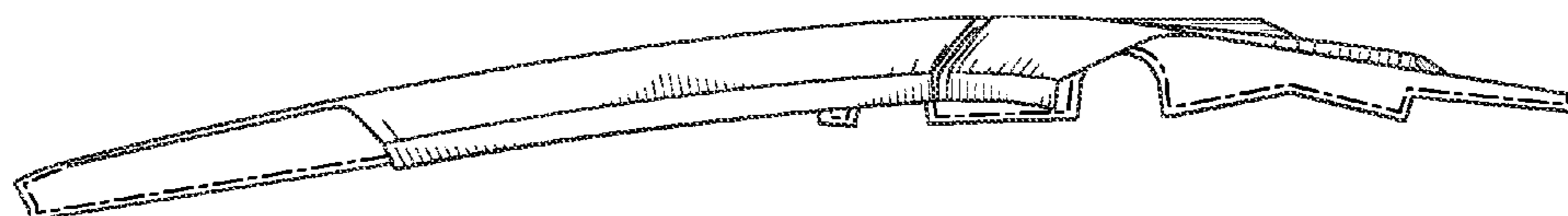


Fig.15

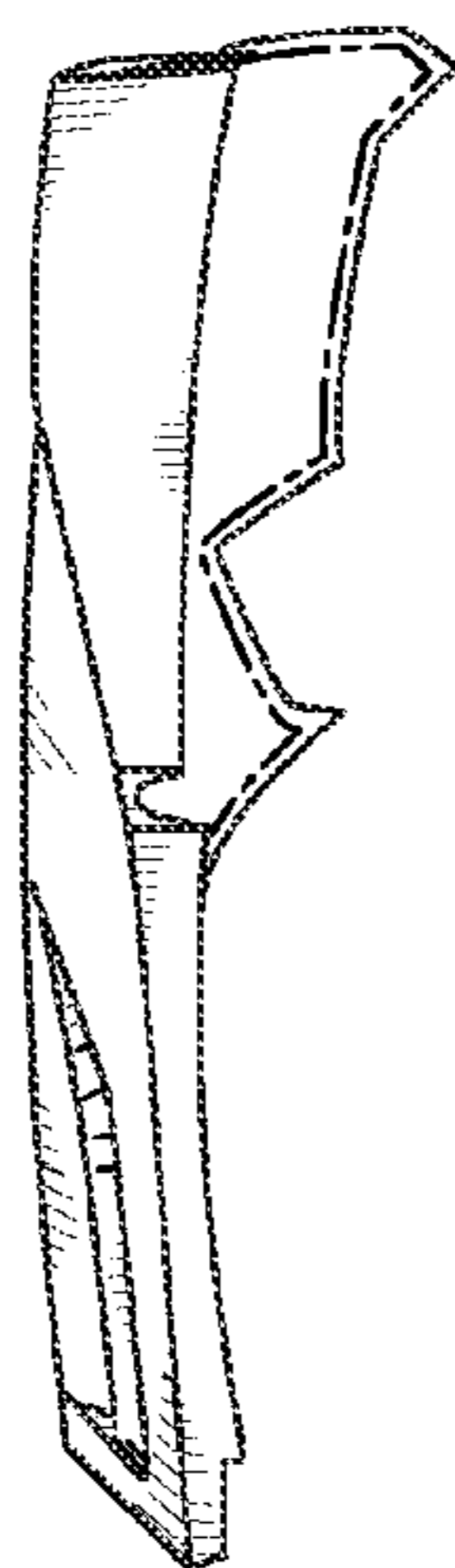


Fig.16

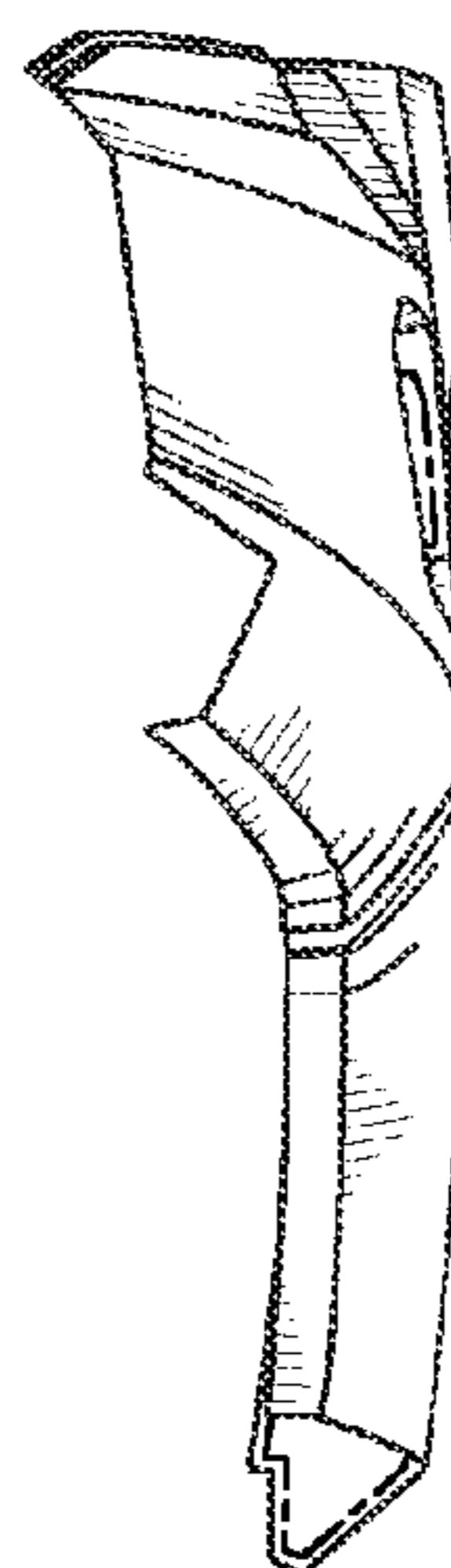


Fig.17

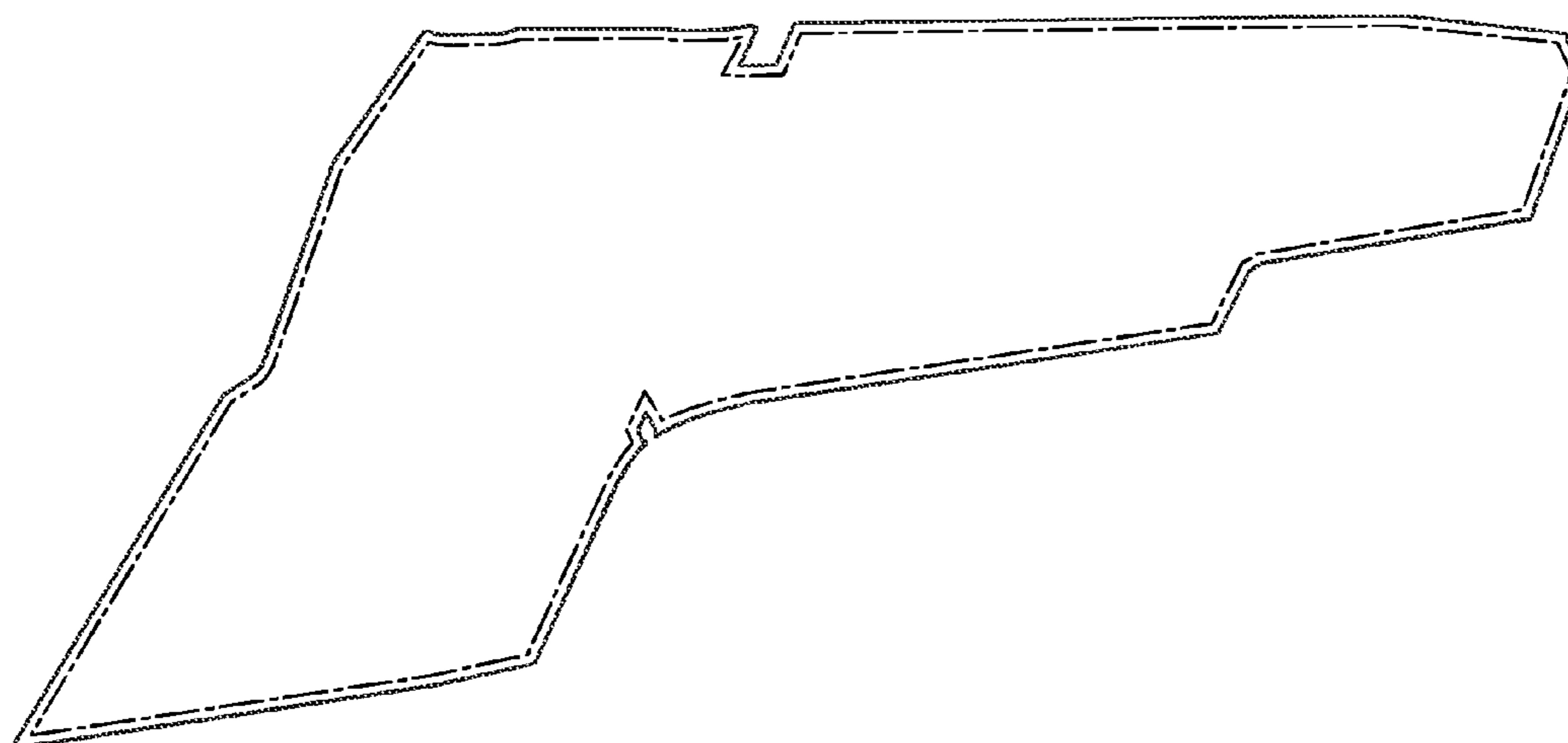


Fig.18

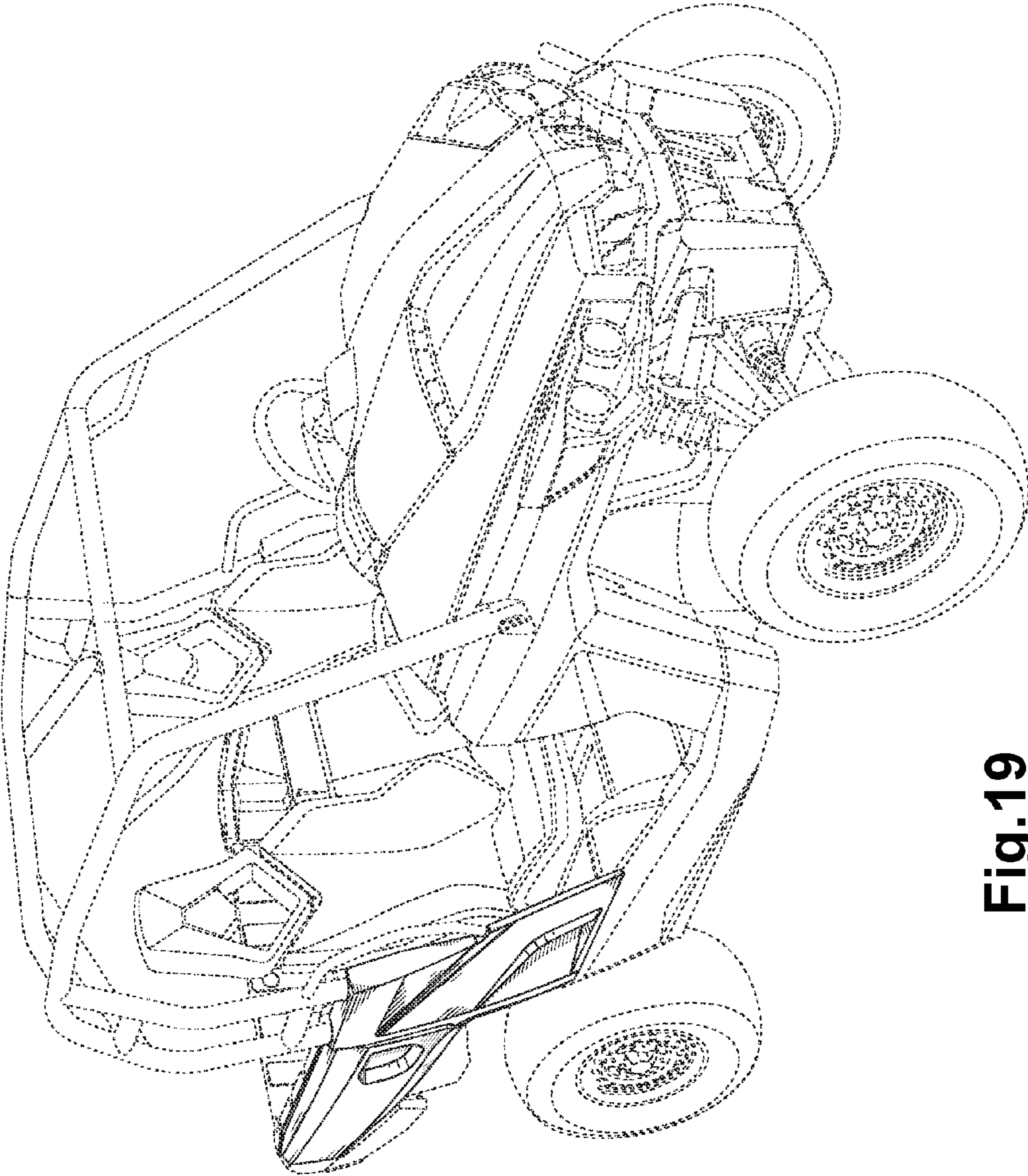


Fig.19

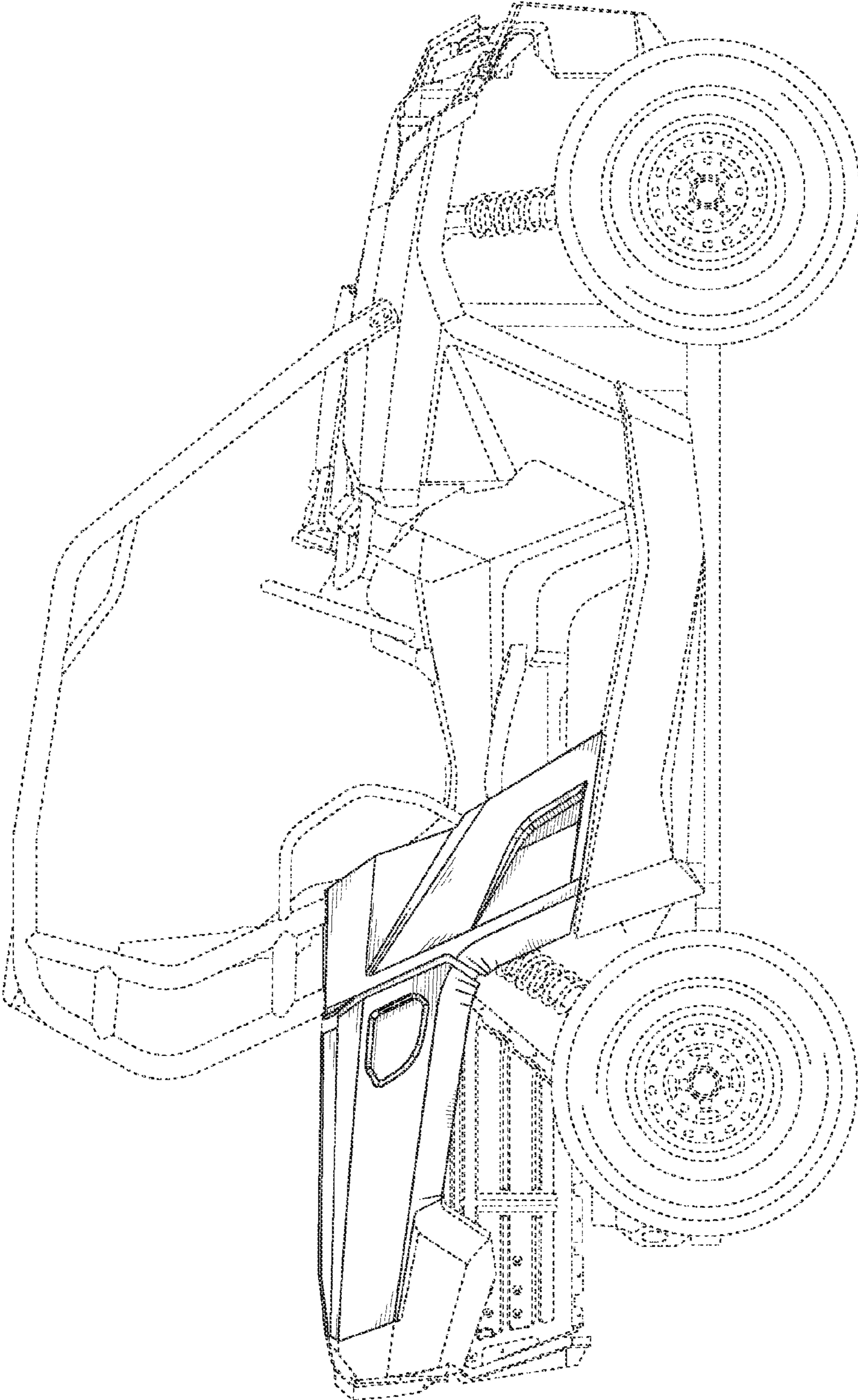


Fig.20