



US00D631790S

(12) **United States Design Patent**  
**Keyaki et al.**

(10) **Patent No.:** **US D631,790 S**  
(45) **Date of Patent:** **\*\* Feb. 1, 2011**

(54) **SLIDER FOR SLIDE FASTENER**

D579,379 S \* 10/2008 Lin ..... D11/221

(75) Inventors: **Keiichi Keyaki**, Toyama-ken (JP); **Koji Yamagishi**, Toyama-ken (JP); **Takanori Ozawa**, Toyama-ken (JP)

FOREIGN PATENT DOCUMENTS

JP 1211912 7/2004

\* cited by examiner

(73) Assignee: **YKK Corporation** (JP)

*Primary Examiner*—Ralf Seifert

(\*\*) Term: **14 Years**

(74) *Attorney, Agent, or Firm*—Kilpatrick Stockton LLP

(21) Appl. No.: **29/363,902**

(57) **CLAIM**

(22) Filed: **Jun. 16, 2010**

The ornamental design for a slider for slide fastener, as shown and described.

(30) **Foreign Application Priority Data**

**DESCRIPTION**

Dec. 17, 2009 (JP) ..... 2009-029323

FIG. 1 is a perspective view of the bottom, front and right of slider for slide fastener showing our new design;

(51) **LOC (9) Cl.** ..... **02-07**

FIG. 2 is a front view thereof;

(52) **U.S. Cl.** ..... **D11/221**

FIG. 3 is a rear view thereof;

(58) **Field of Classification Search** ..... D11/200,

FIG. 4 is a top plan view thereof;

D11/201, 221; 24/381–383, 385–387, 414–417,

FIG. 5 is a bottom view thereof;

24/421–422, 427–431, 433; 2/265

FIG. 6 is a right side view thereof, the left side view being mirror image thereof; and,

See application file for complete search history.

FIG. 7 is a reference view of usage thereof.

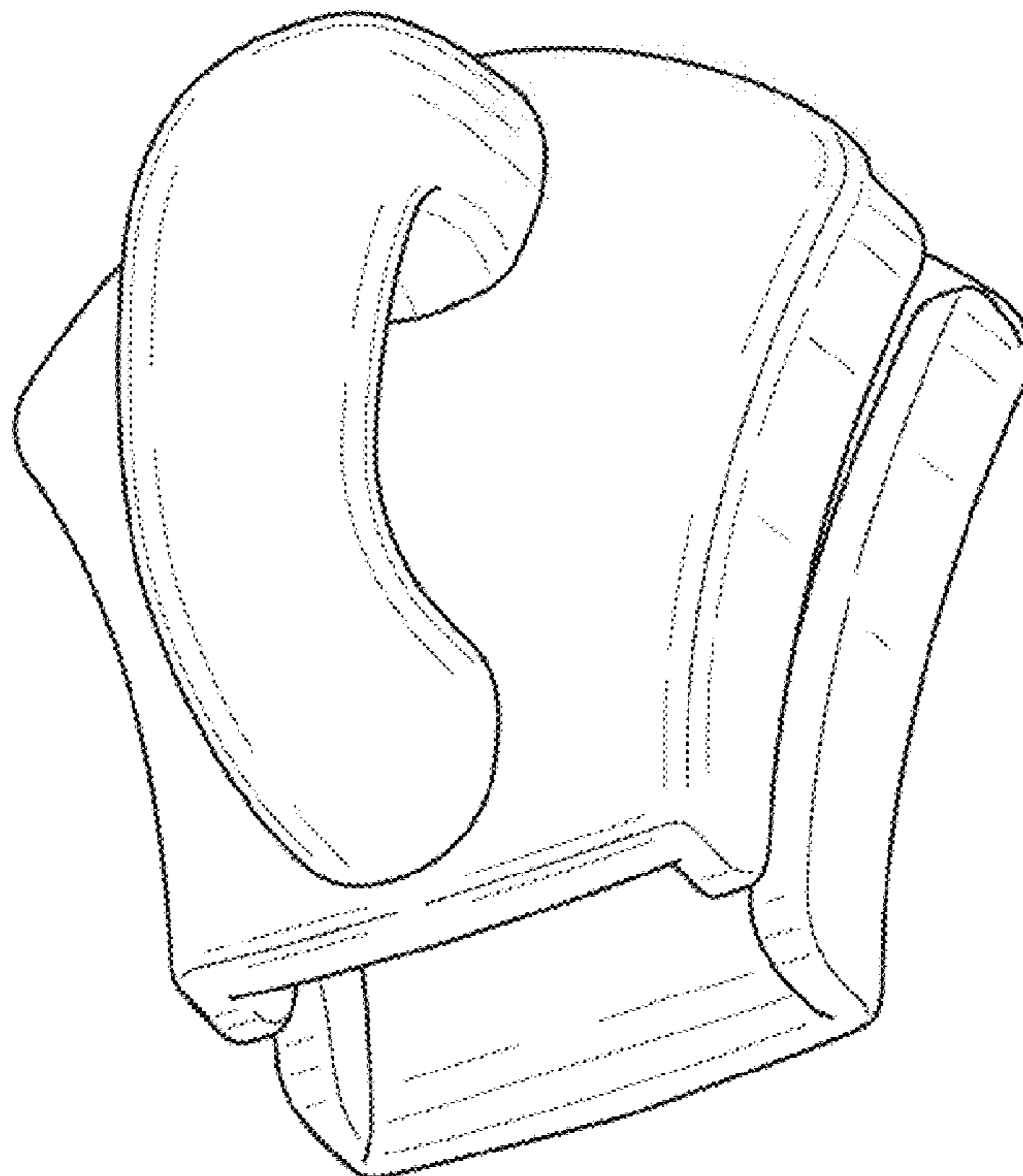
(56) **References Cited**

The portions of the article in broken lines are shown for illustrative purposes only and form no part of the claimed design.

U.S. PATENT DOCUMENTS

D251,697 S \* 5/1979 Toepelt et al. .... D11/221  
D484,829 S \* 1/2004 Yamamoto et al. .... D11/221  
D499,668 S \* 12/2004 Iwase ..... D11/221  
D509,770 S \* 9/2005 Hamada et al. .... D11/221  
D556,088 S \* 11/2007 Cossutti ..... D11/221

**1 Claim, 4 Drawing Sheets**



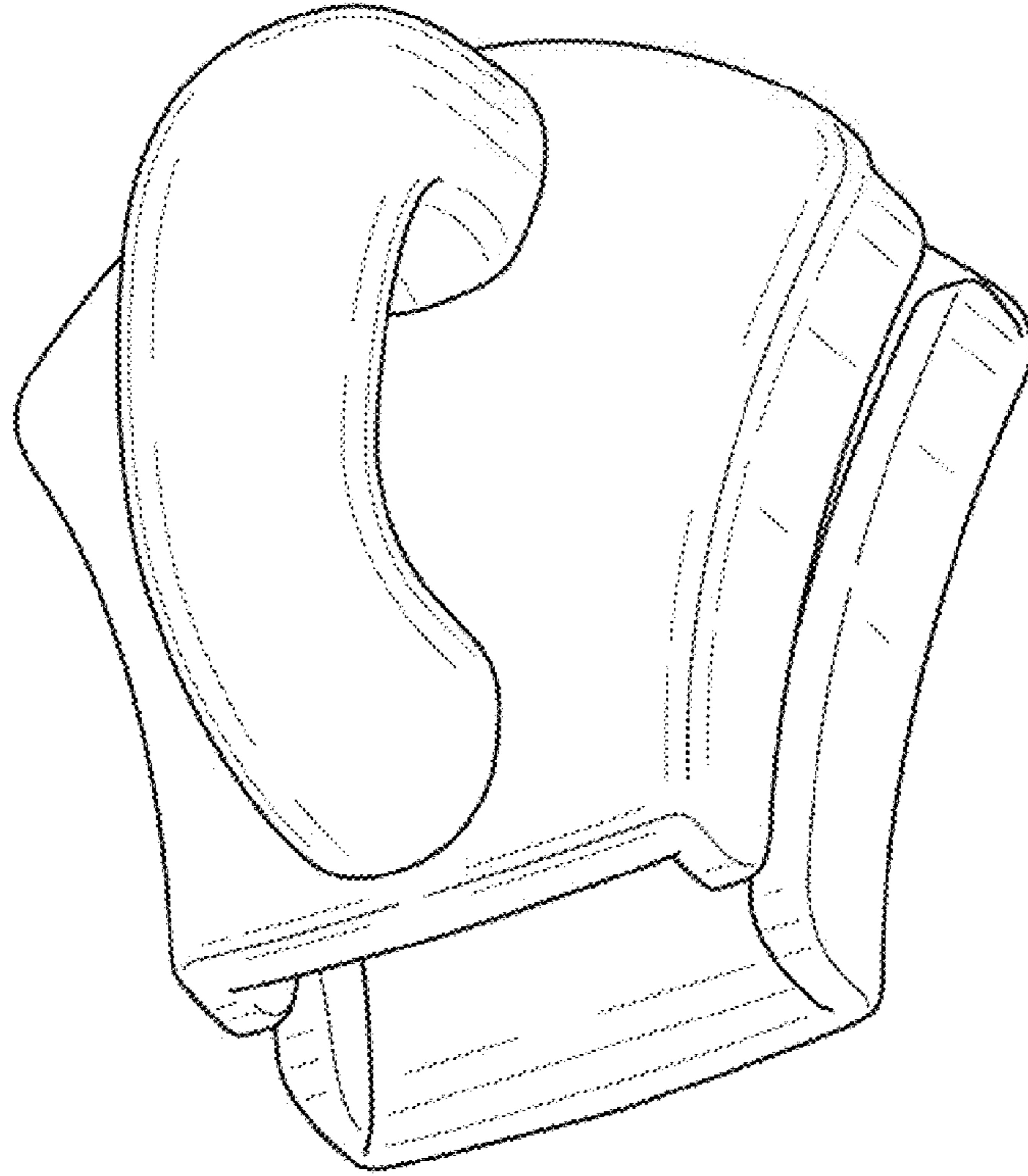


FIG. 1

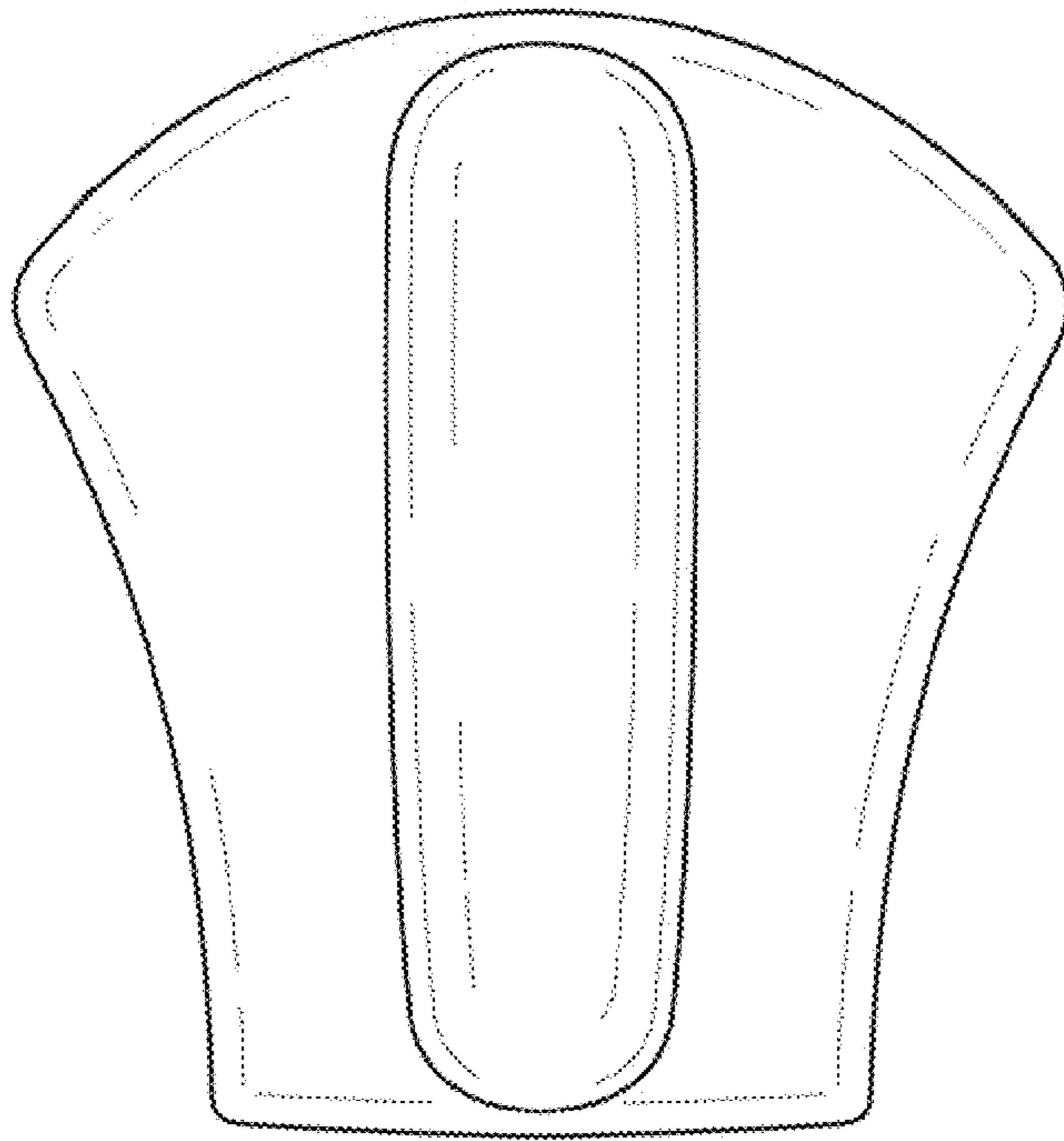


FIG. 2

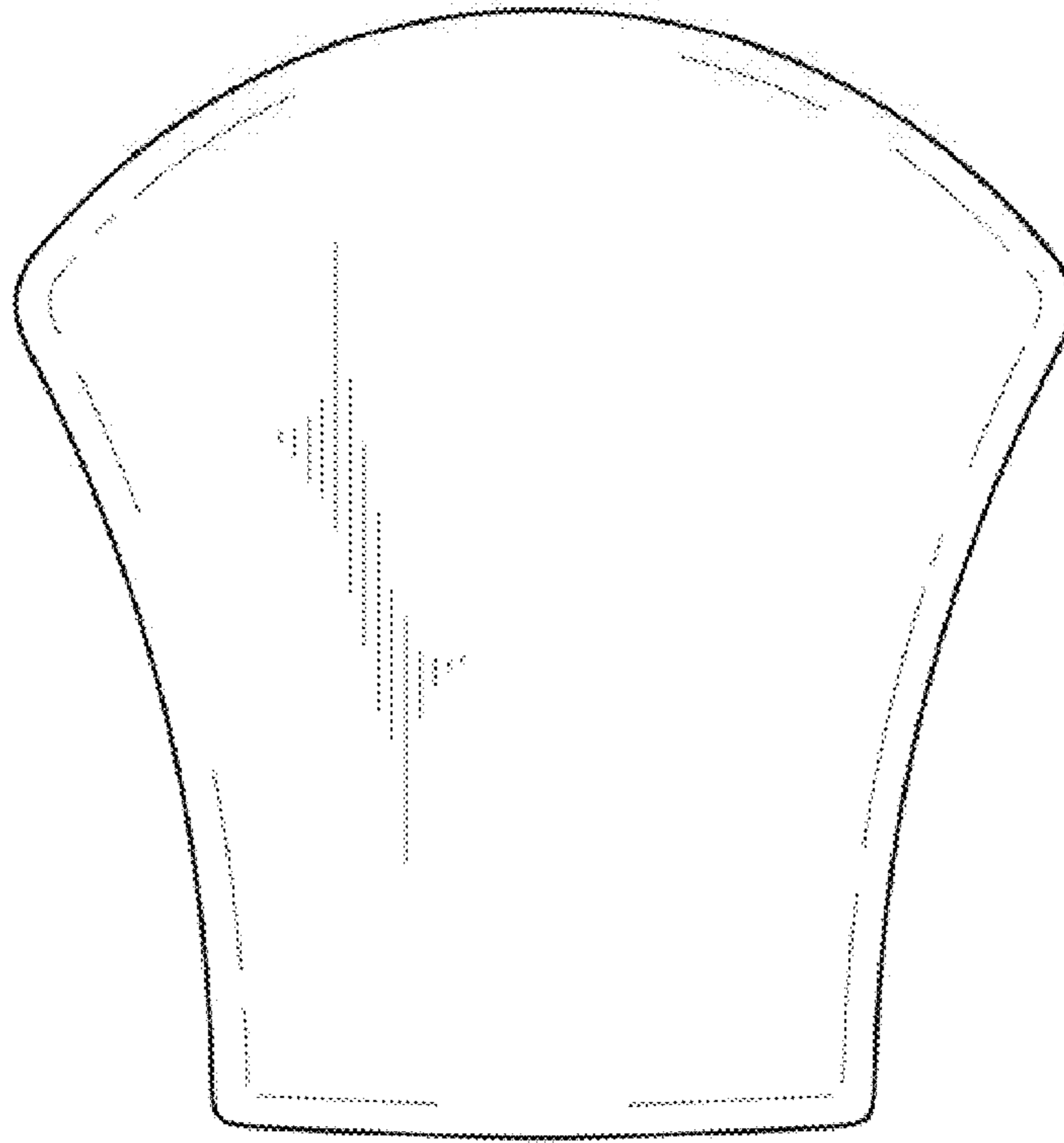


FIG. 3

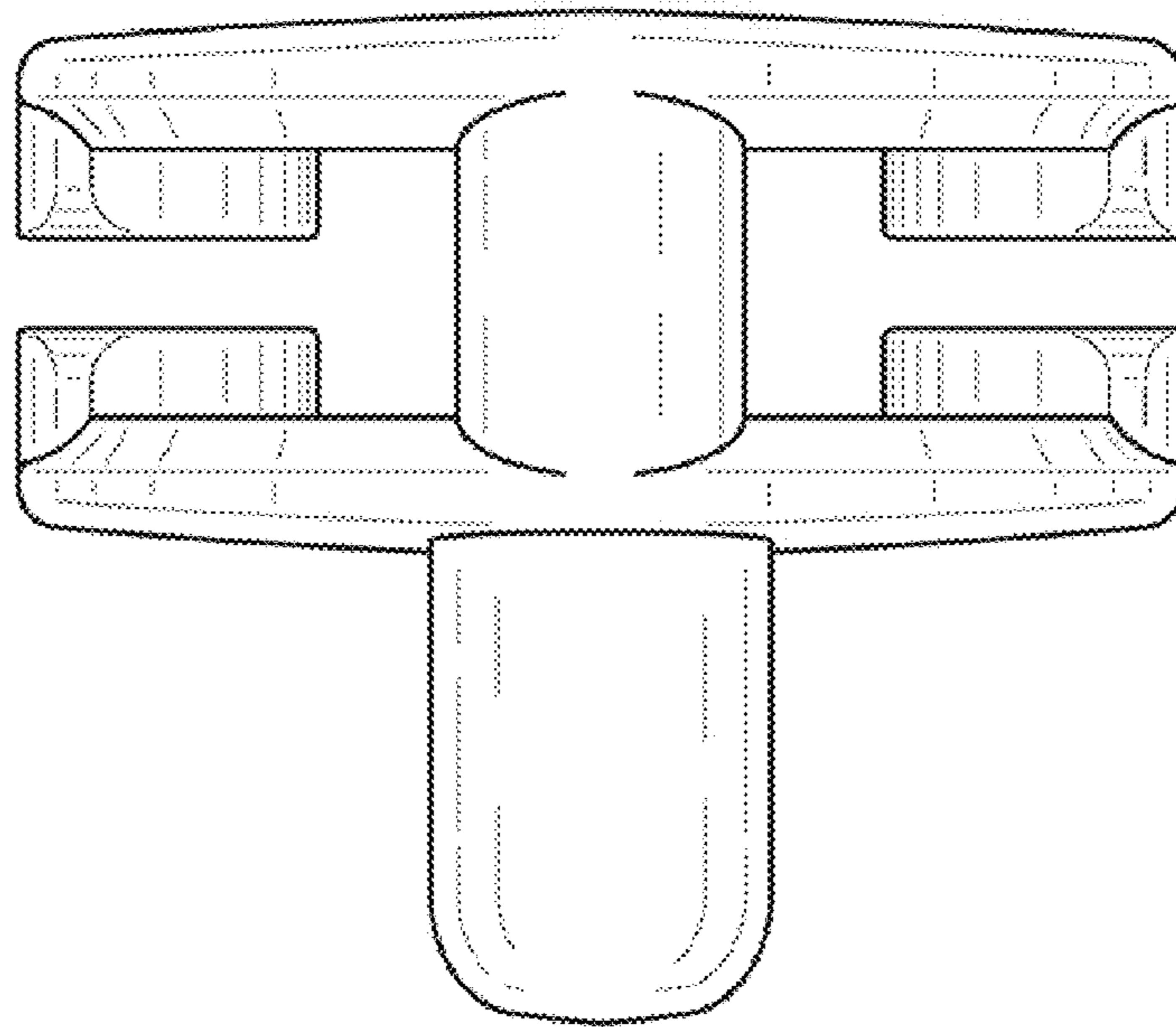


FIG. 4

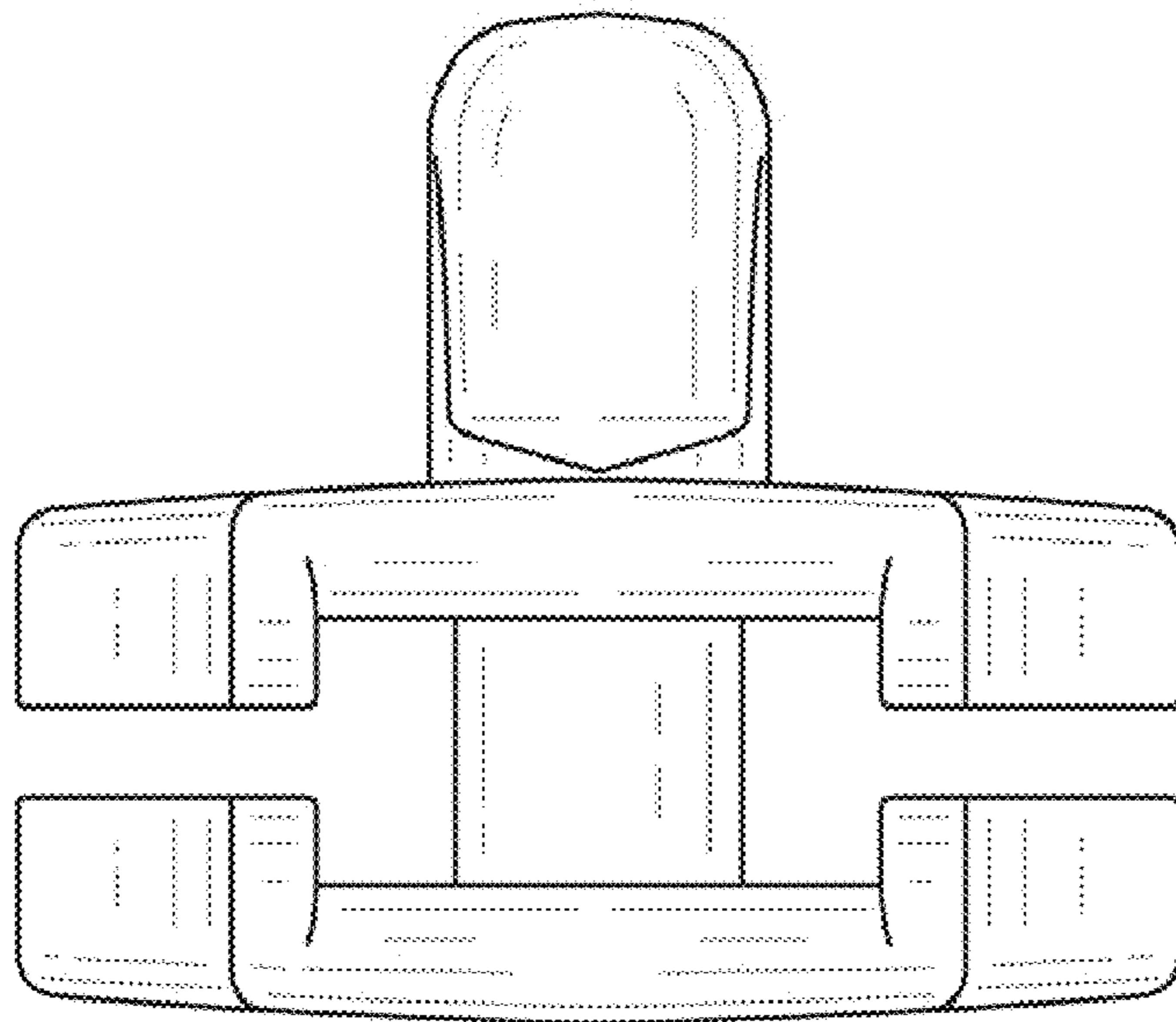


FIG. 5

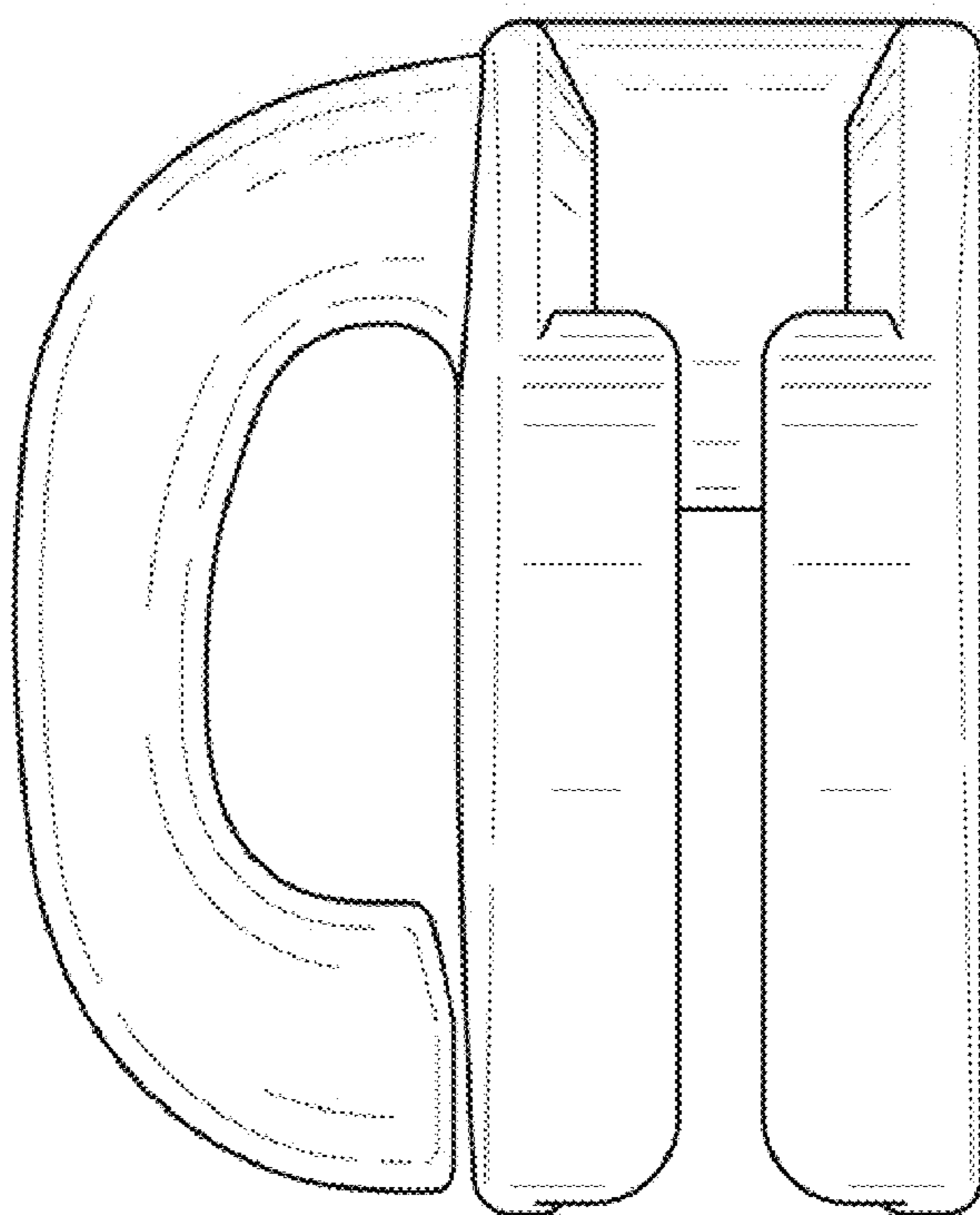


FIG. 6

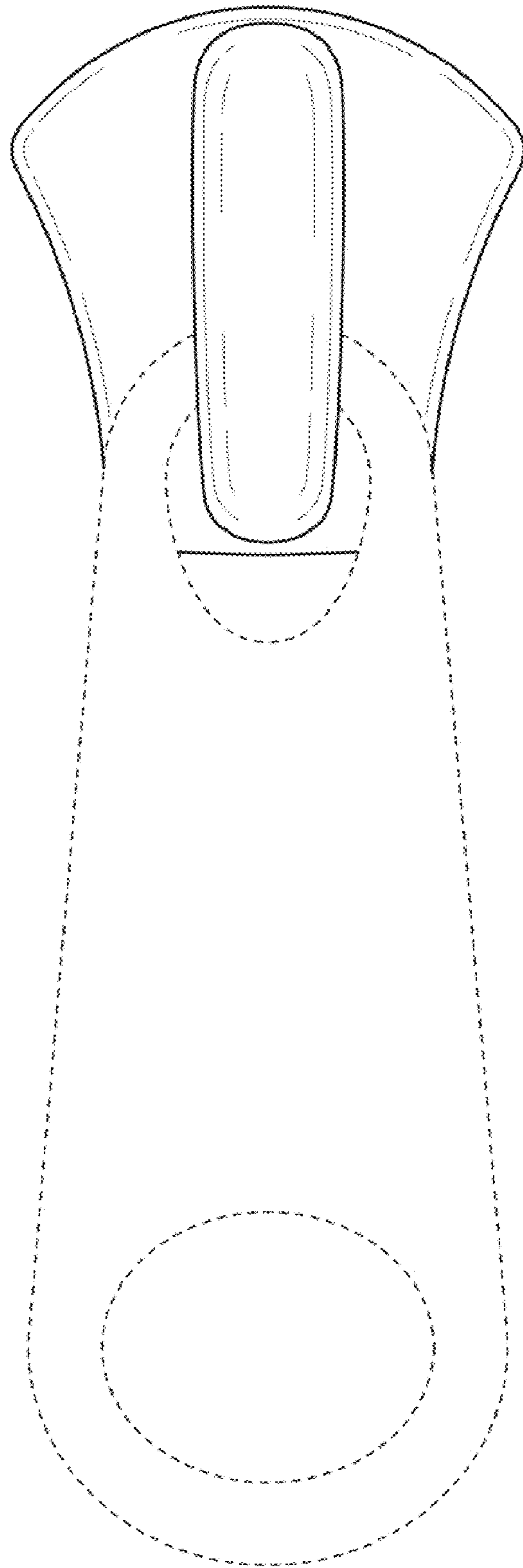


FIG. 7