



US00D631789S

(12) **United States Design Patent**
Takani

(10) **Patent No.:** **US D631,789 S**
(45) **Date of Patent:** **** Feb. 1, 2011**

(54) **CHAIN FOR SLIDE FASTENER**

(75) Inventor: **Go Takani**, Kurobe (JP)

(73) Assignee: **YKK Corporation** (JP)

(**) Term: **14 Years**

(21) Appl. No.: **29/348,979**

(22) Filed: **Feb. 26, 2010**

(30) **Foreign Application Priority Data**

Aug. 27, 2009 (JP) 2009-019670

(51) **LOC (9) Cl.** **02-07**

(52) **U.S. Cl.** **D11/221**

(58) **Field of Classification Search** D11/200,
D11/201, 221; 24/381-383, 385-387, 414-417,
24/421-422, 427-431, 433, 401, 405, 410;
2/265

See application file for complete search history.

(56) **References Cited**

U.S. PATENT DOCUMENTS

- 2,385,020 A * 9/1945 Morin 24/410
- 2,701,401 A * 2/1955 Dorman 24/433
- 2,720,015 A * 10/1955 Morin 24/405
- 2,814,847 A * 12/1957 Zbinden 24/434
- D265,606 S * 8/1982 Kasai D11/221
- 4,429,438 A * 2/1984 Takeshima et al. 24/401
- D274,016 S * 5/1984 Kasai D11/221
- D284,330 S * 6/1986 Yoshikawa et al. D11/221

- D293,225 S * 12/1987 Hasegawa D11/221
- D326,433 S * 5/1992 Takizawa et al. D11/221
- D385,827 S * 11/1997 Covi et al. D11/221
- 6,230,373 B1 * 5/2001 Wakai et al. 24/381
- 7,353,570 B2 * 4/2008 Himi 24/405
- D586,693 S * 2/2009 Stenhall D11/221

* cited by examiner

Primary Examiner—Ralf Seifert

(74) *Attorney, Agent, or Firm*—Kilpatrick Stockton LLP

(57) **CLAIM**

The ornamental design for chain for slide fastener, as shown and described.

DESCRIPTION

FIG. 1 is a perspective view of the top, front and right of a chain for slide fastener showing my new design;

FIG. 2 is a front view thereof;

FIG. 3 is a right side view thereof, the left side view being a mirror image thereof;

FIG. 4 is a rear view thereof;

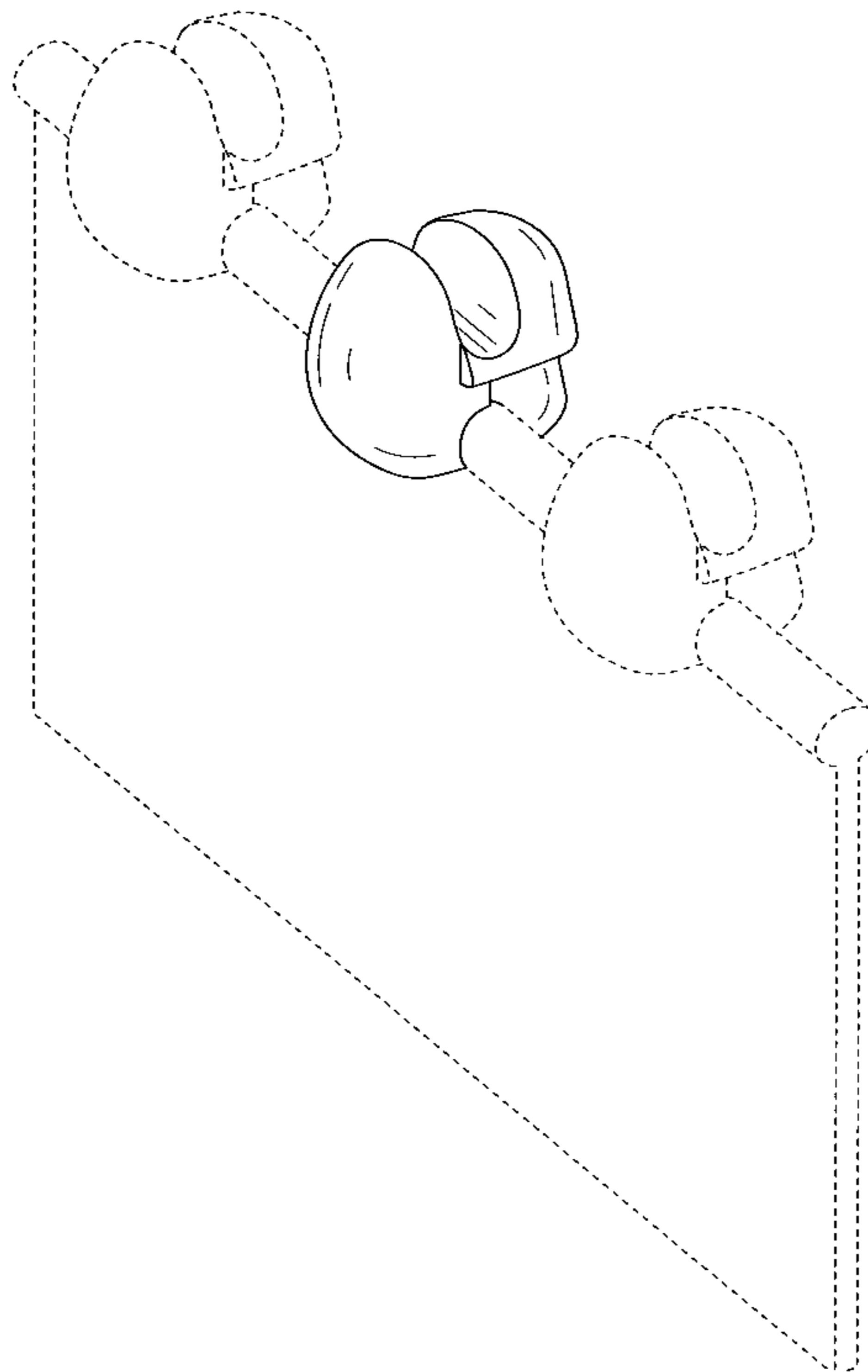
FIG. 5 is a top plan view thereof;

FIG. 6 is a bottom view thereof; and,

FIG. 7 is a cross sectional view at 7—7 shown in FIG. 2 thereof.

The portions of the article in broken lines are shown for illustrative purposes only and form no part of the claimed design.

1 Claim, 5 Drawing Sheets



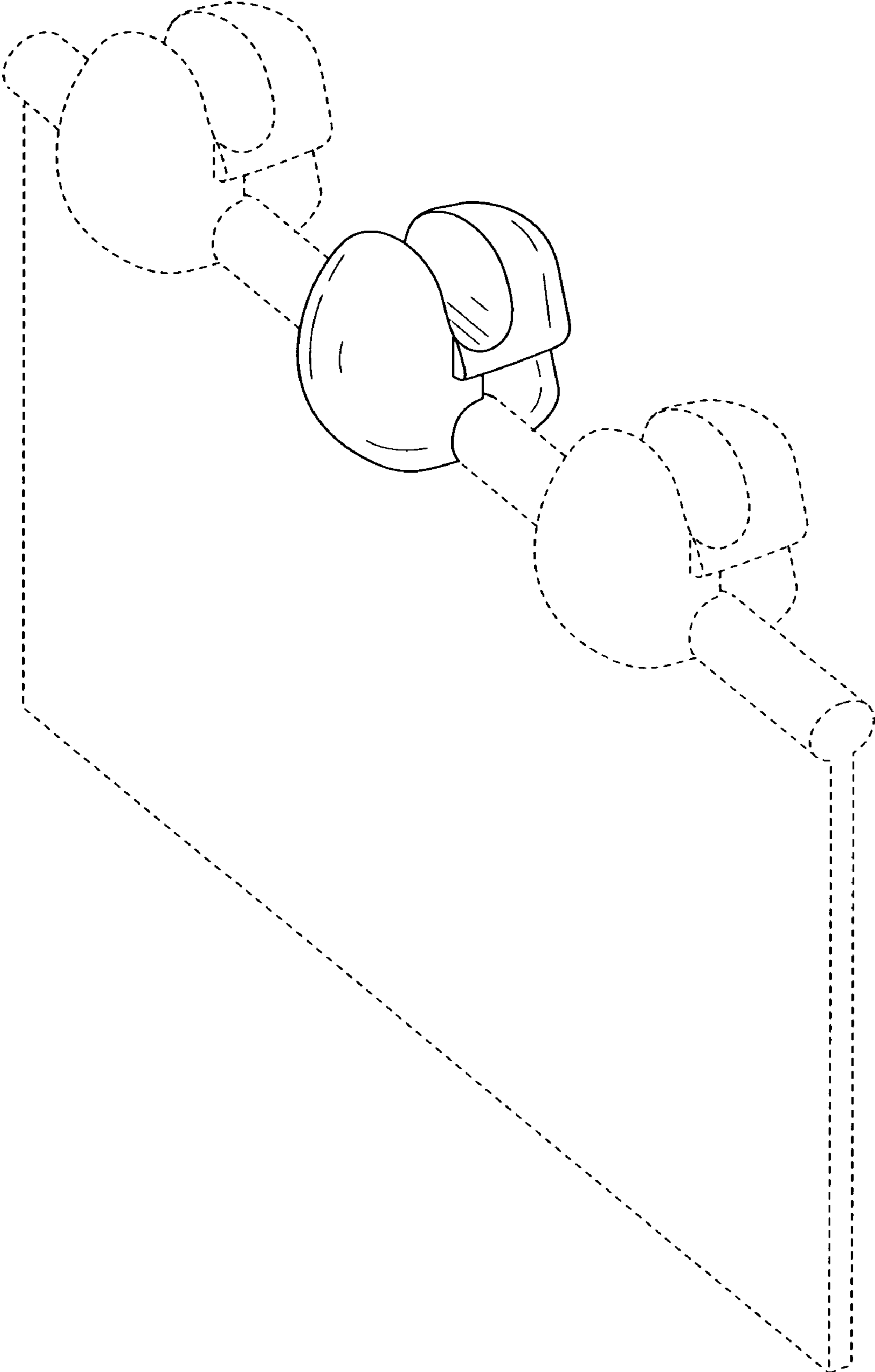


FIG. 1

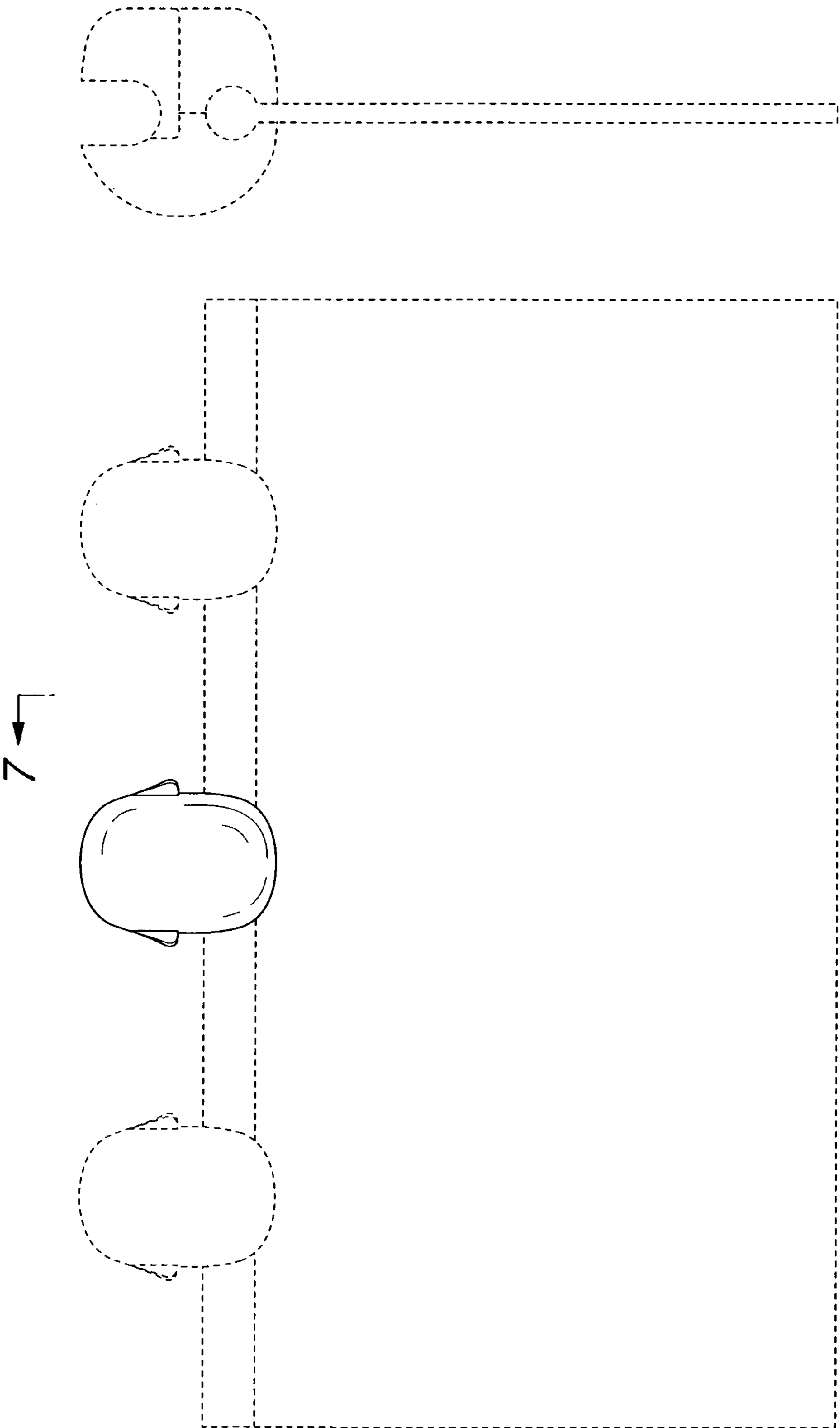


FIG. 3

FIG. 2

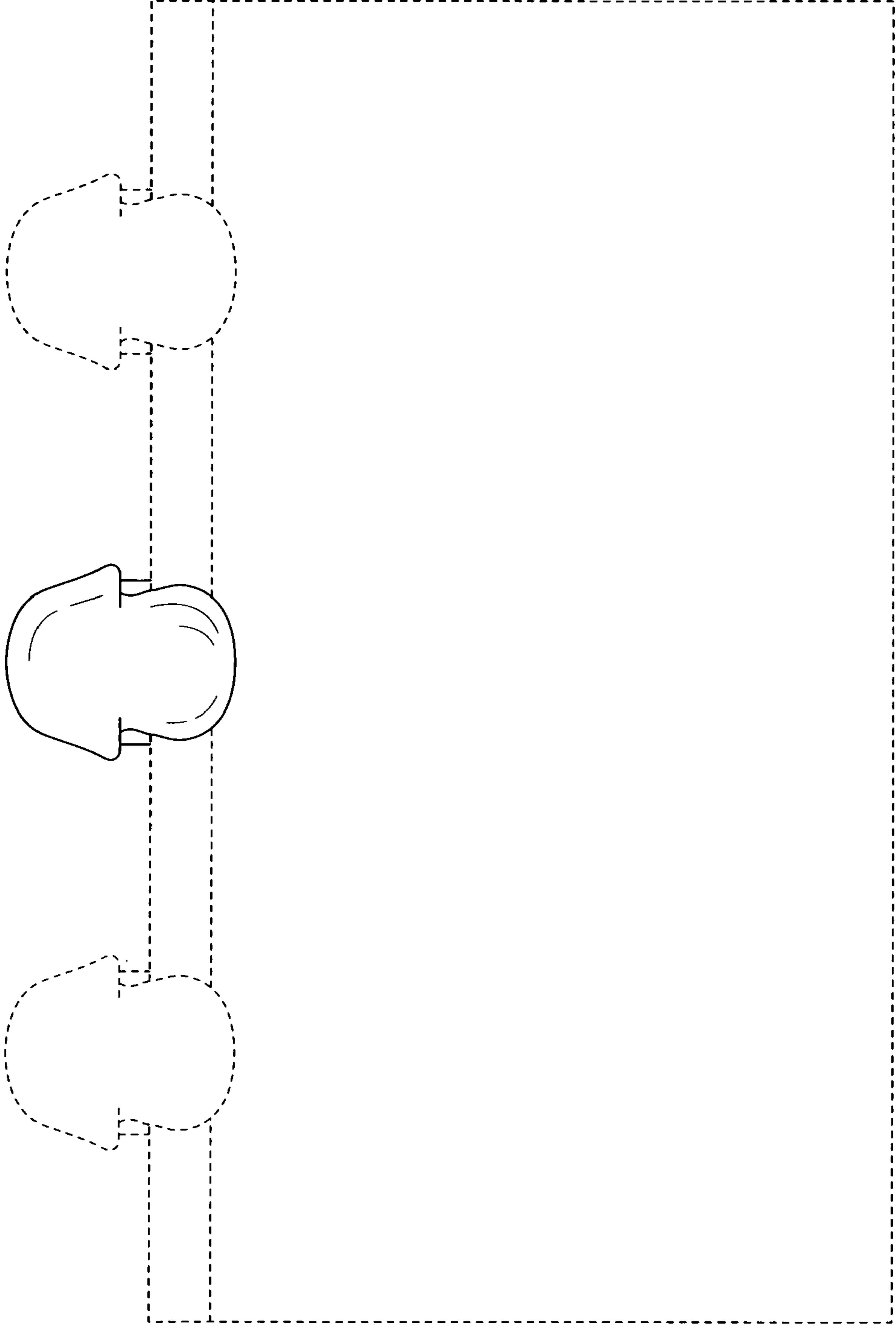


FIG. 4

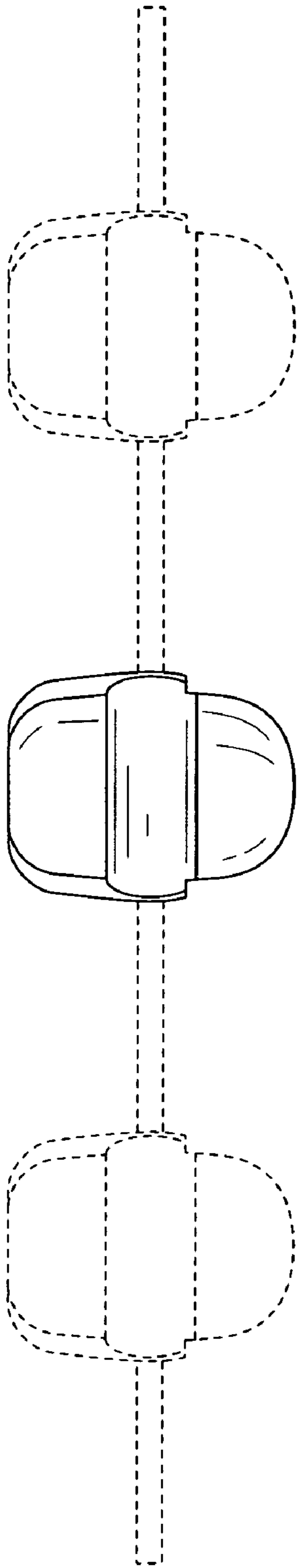


FIG. 5

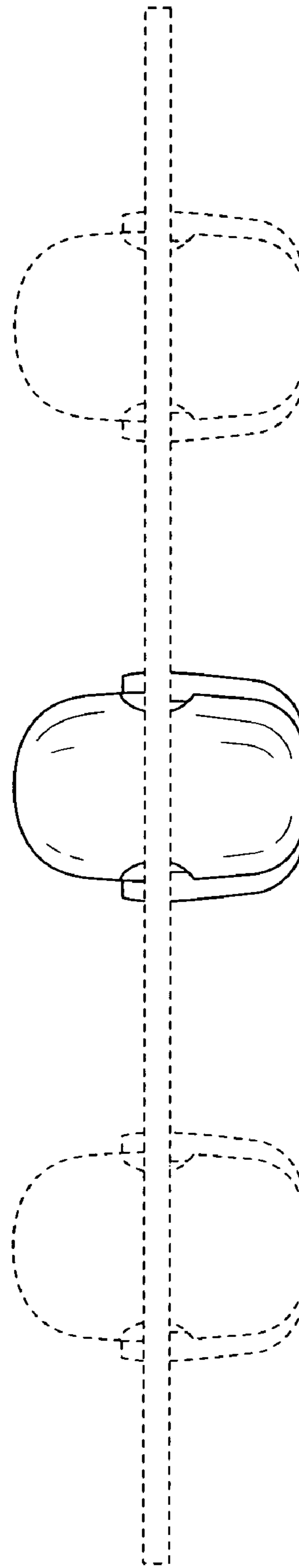


FIG. 6

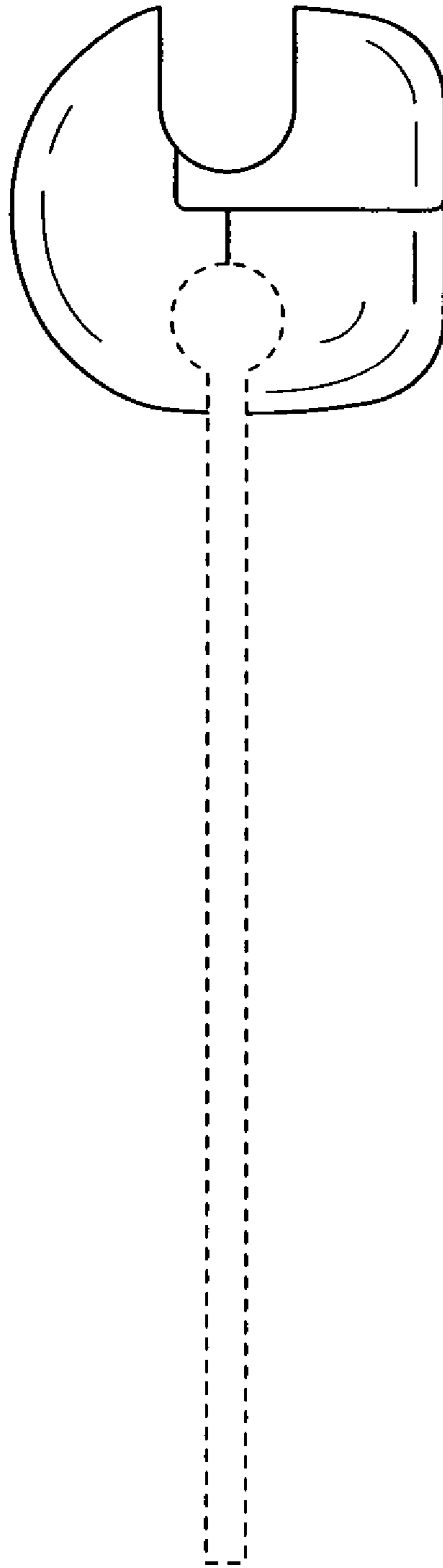


FIG. 7