



US00D631769S

(12) **United States Design Patent**  
**Kilps et al.**

(10) **Patent No.:** **US D631,769 S**

(45) **Date of Patent:** **\*\* Feb. 1, 2011**

(54) **NOISE MONITOR HAVING A HANDLE**

(75) Inventors: **Patrick J. Kilps**, Hubertus, WI (US);  
**Michael G. Wurm**, Waukesha, WI (US);  
**Thomas E. King**, Palo Alto, CA (US);  
**Jeffrey M. Smits**, Fond du Lac, WI (US)

(73) Assignee: **3M Innovative Properties Company**,  
St. Paul, MN (US)

(\*\*) Term: **14 Years**

(21) Appl. No.: **29/346,366**

(22) Filed: **Oct. 30, 2009**

(51) **LOC (9) Cl.** ..... **10-04**

(52) **U.S. Cl.** ..... **D10/103**

(58) **Field of Classification Search** ..... D10/46,  
D10/78, 103; 73/573, 646; 340/539.12,  
340/539, 26, 541, 573.1; 381/56, 57, 72,  
381/94.1; 600/300; 16/412, 415, 419, 436,  
16/438, 444, 445, DIG. 5

See application file for complete search history.

(56) **References Cited**

**U.S. PATENT DOCUMENTS**

3,523,322	A *	8/1970	Rossow	.....	16/412
D219,702	S *	1/1971	Korol	.....	D8/316
4,593,696	A	6/1986	Hochmair et al.		
4,862,642	A *	9/1989	Alessi	.....	16/412
6,016,099	A	1/2000	Campman		
6,067,006	A	5/2000	O'Brien		
6,456,199	B1	9/2002	Michael		
6,941,952	B1	9/2005	Rush		
7,003,123	B2	2/2006	Kanevsky et al.		
7,015,812	B1	3/2006	Lemchen		
7,151,835	B2	12/2006	Yonovitz et al.		
D571,184	S *	6/2008	Ricereto	.....	D8/316
D576,902	S	9/2008	Schwanitz et al.		
D582,750	S *	12/2008	Heidrich et al.	.....	D8/316
D587,614	S	3/2009	Schwanitz et al.		
D597,396	S *	8/2009	Menzies	.....	D8/315
D598,269	S *	8/2009	Hanes	.....	D8/317
D606,839	S *	12/2009	Urquiola	.....	D8/316

2005/0001728	A1	1/2005	Appelt et al.		
2005/0244013	A1	11/2005	Battenberg et al.		
2005/0254666	A1	11/2005	Michael		
2005/0254667	A1	11/2005	Michael		
2006/0078150	A1	4/2006	Knorr et al.		
2006/0143868	A1 *	7/2006	Bauer	.....	16/438

**FOREIGN PATENT DOCUMENTS**

AT	44873	B	4/1992
AU	199661949	A1	2/1997
AU	200035139	A	9/2001
AU	20072224	A	6/2002
BR	8700334	A	1/1997
DE	2619947	B	11/1977
DE	4137605	C2	5/1993
DE	19926820	C2	12/2000

(Continued)

*Primary Examiner*—Antoine D Davis

(74) *Attorney, Agent, or Firm*—Anna A. Wetzels

(57) **CLAIM**

The ornamental design for a noise monitor having a handle, as shown and described.

**DESCRIPTION**

FIG. 1 is a perspective view of a noise monitor having a handle showing the new design.

FIG. 2 is a side view thereof;

FIG. 3 is a bottom view thereof;

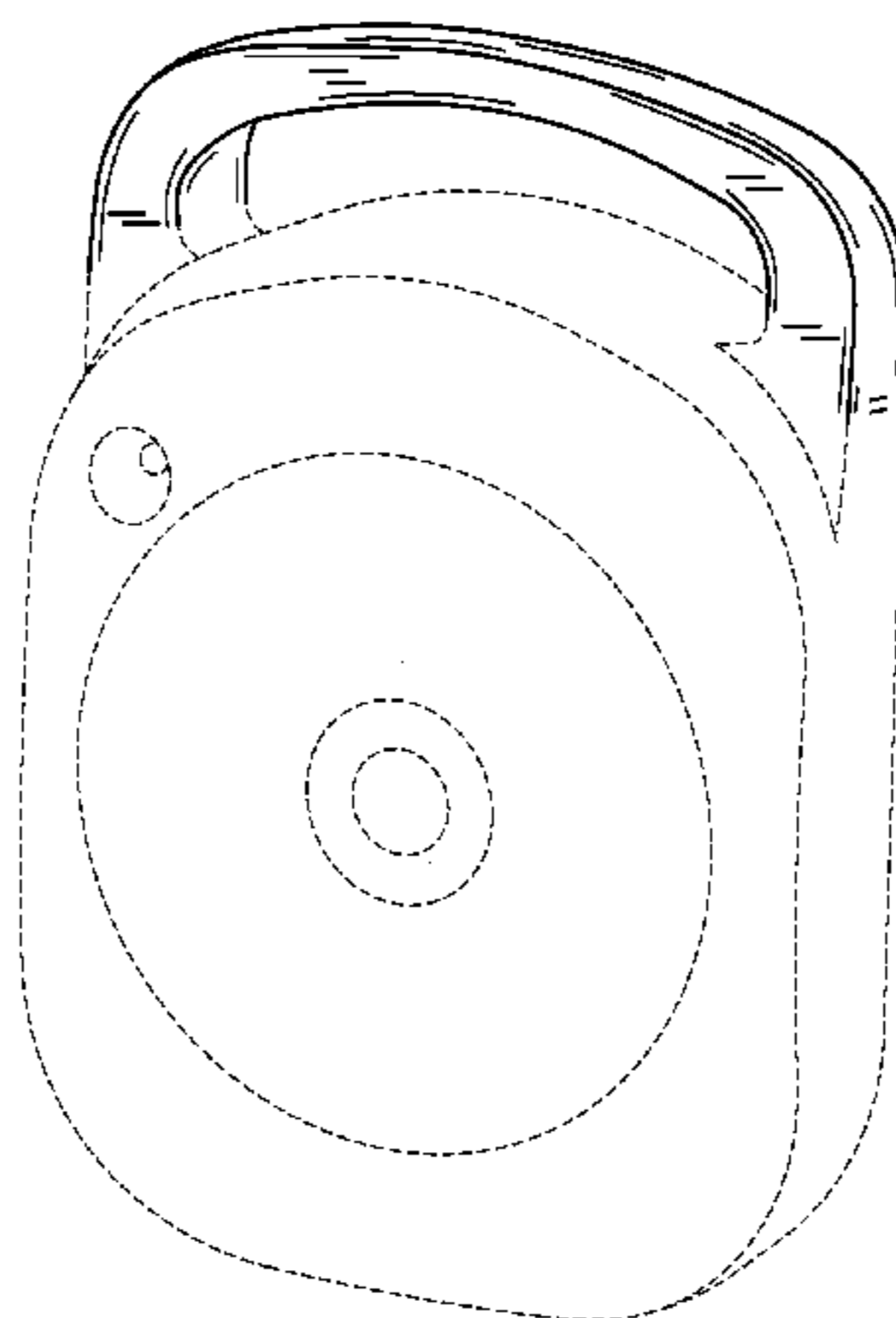
FIG. 4 is a top view thereof;

FIG. 5 is a front view thereof; and,

FIG. 6 is a rear view thereof.

The broken line showing of structural features is included for the purpose of illustrating non-claimed subject matter and forms no part of the claimed design.

**1 Claim, 4 Drawing Sheets**

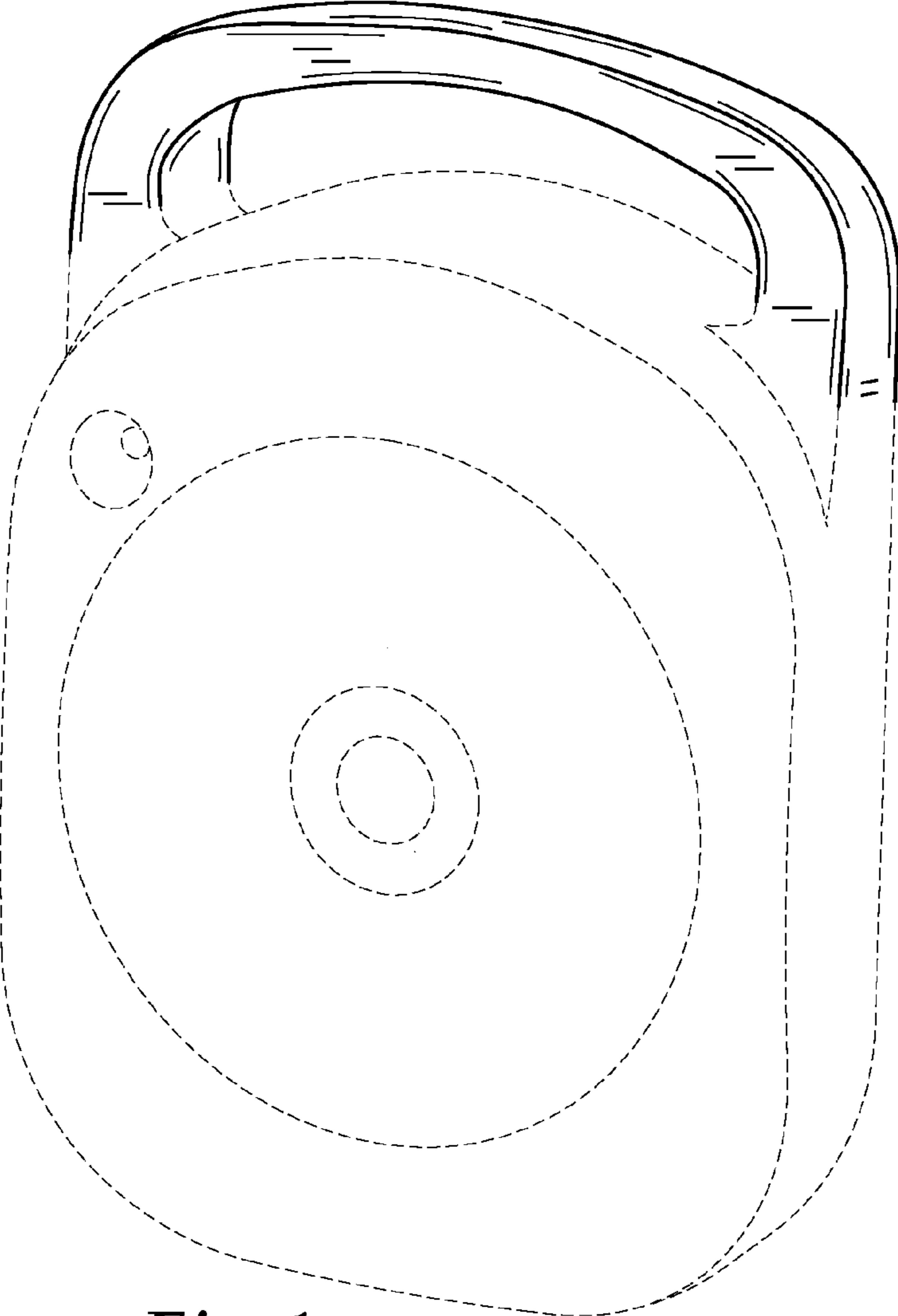


# US D631,769 S

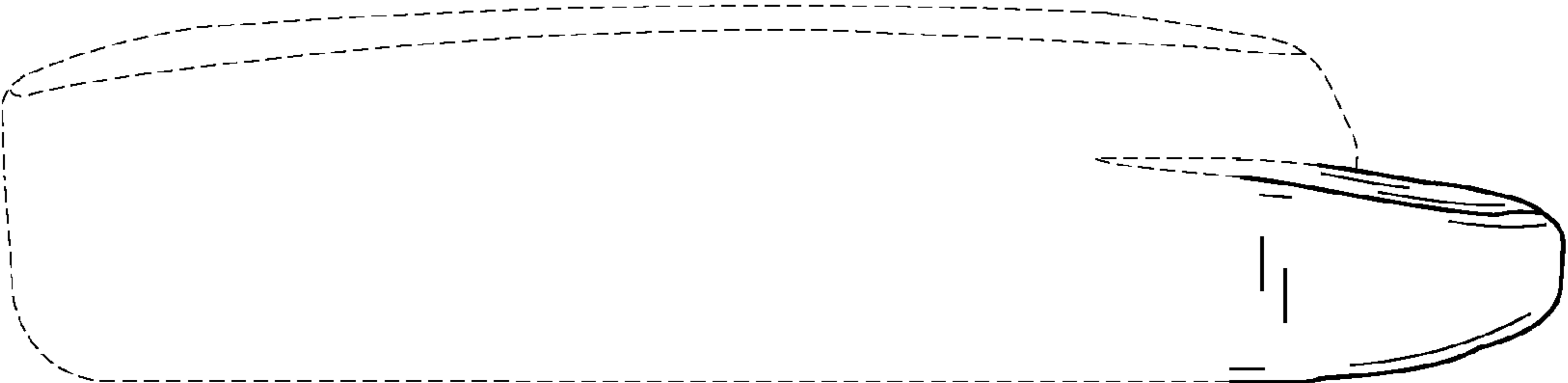
Page 2

---

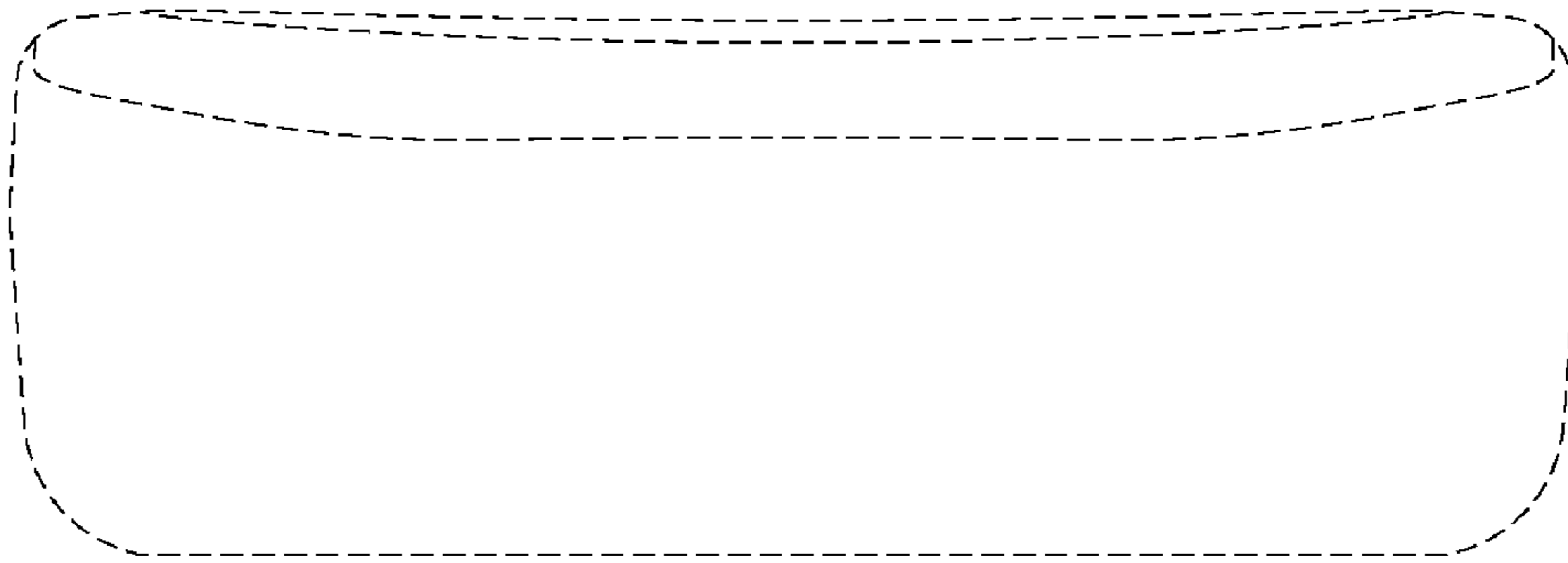
FOREIGN PATENT DOCUMENTS					
			KR	20020013042	4/2004
			NL	1024285 C6	3/2005
			TW	237550 B1	7/1982
			WO	01/66054 A1	9/2001
			WO	2005/094743 A1	10/2005
			WO	2006/043028 A1	4/2006
			WO	2006/074253 A1	7/2006
			* cited by examiner		
DE	202005016678 U1	3/2006			
EP	1629801 A1	3/2006			
ES	2255816 A1	9/2006			
FR	27087731 A1	2/1995			
FR	2830724 A1	4/2003			
FR	2882433 A1	8/2006			
JP	2005/158041 A	8/2005			



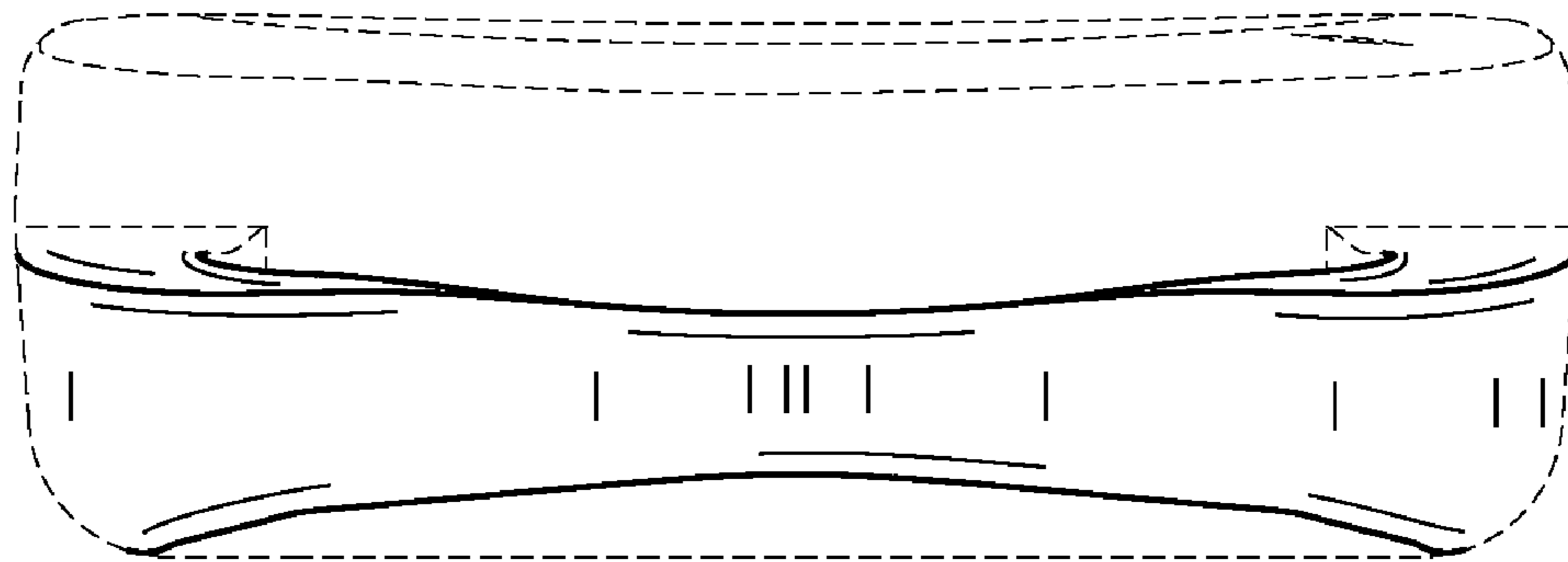
*Fig. 1*



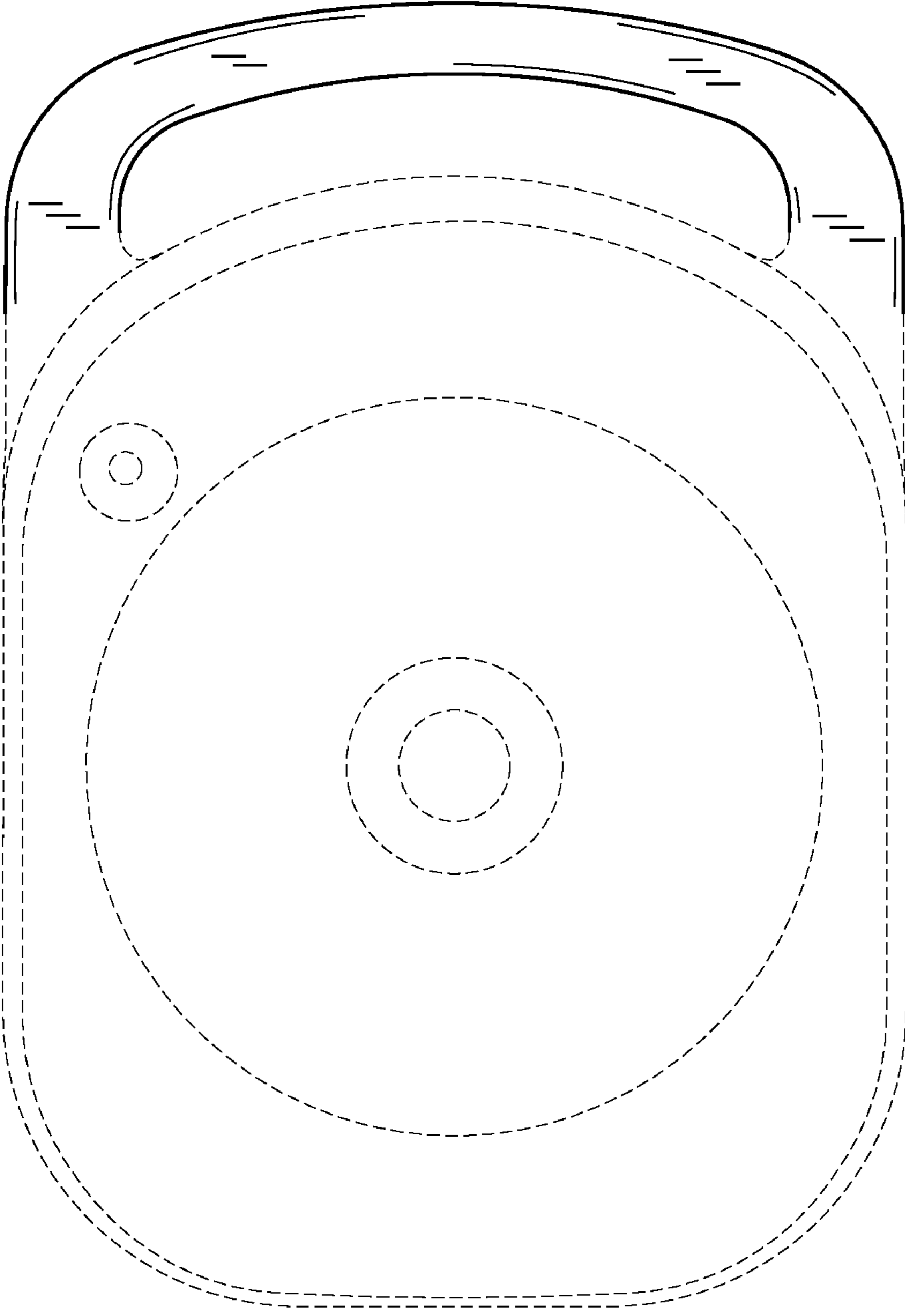
*Fig. 2*



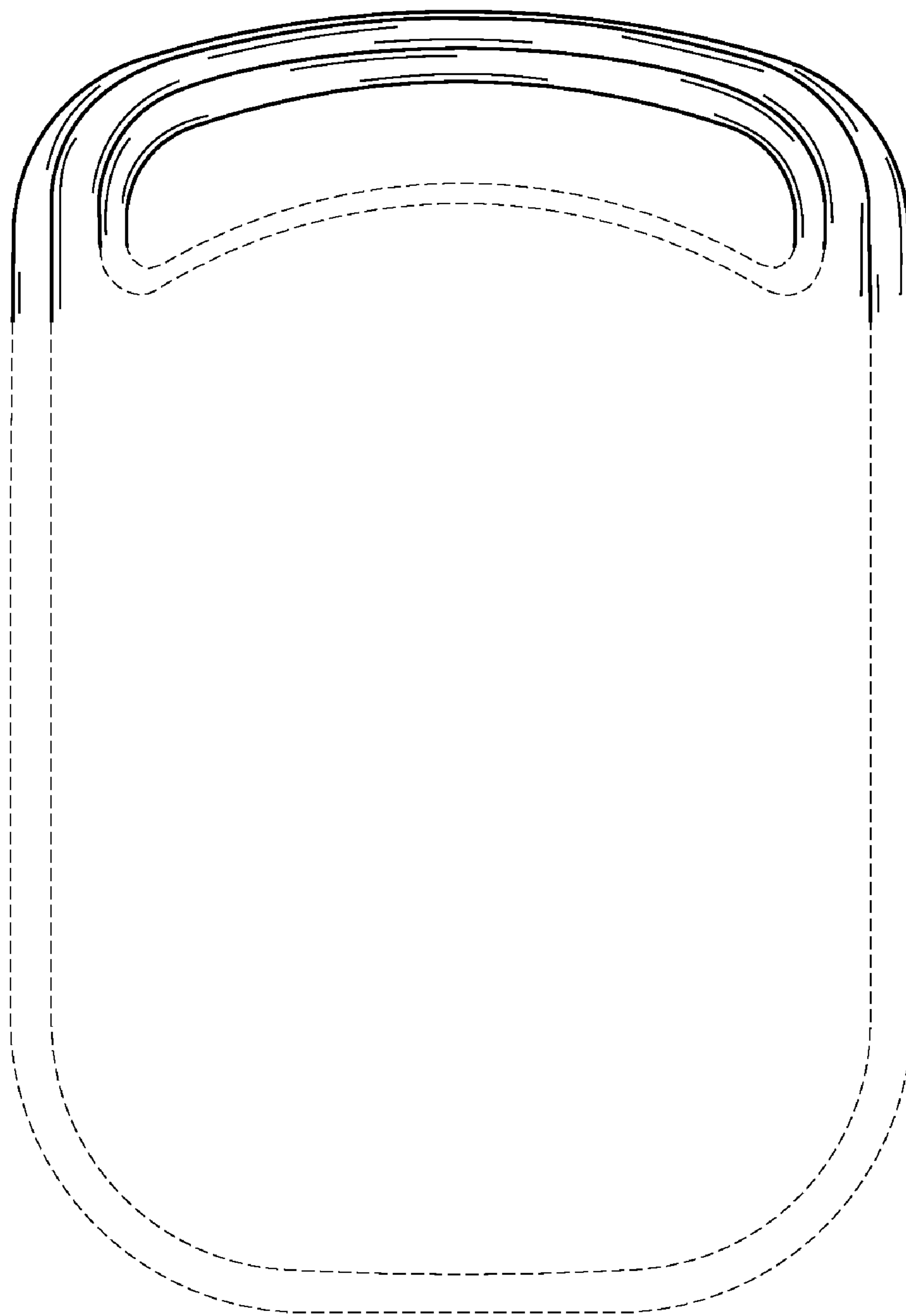
*Fig. 3*



*Fig. 4*



*Fig. 5*



*Fig. 6*