



US00D631767S

(12) **United States Design Patent**
Itano et al.

(10) **Patent No.:** **US D631,767 S**
(45) **Date of Patent:** **** Feb. 1, 2011**

(54) **AIR PRESSURE DETECTOR FOR TRAIN**

(75) Inventors: **Yasuharu Itano**, Chiyoda-Ku (JP);
Shogo Fukada, Chiyoda-Ku (JP);
Masaru Imaizumi, Chiyoda-Ku (JP)

(73) Assignee: **Mitsubishi Electric Corporation**,
Tokyo (JP)

(**) Term: **14 Years**

(21) Appl. No.: **29/344,349**

(22) Filed: **Sep. 28, 2009**

(30) **Foreign Application Priority Data**

Apr. 14, 2009 (JP) 2009-008511

(51) **LOC (9) Cl.** **10-04**

(52) **U.S. Cl.** **D10/85**

(58) **Field of Classification Search** D10/85-86;
96/130, 134, 143, 421, 426; 116/206; 55/310,
55/315, 418, 459.1, DIG. 34; 73/23.2, 31.03
See application file for complete search history.

(56) **References Cited**

U.S. PATENT DOCUMENTS

D347,799 S * 6/1994 Dunham et al. D10/85
D567,126 S * 4/2008 Zheng D10/86

D576,897 S * 9/2008 Quimby et al. D10/85
D588,030 S * 3/2009 Ohtani et al. D10/85
D588,483 S * 3/2009 Chu D10/85
D592,085 S * 5/2009 Ohtani et al. D10/102
D592,086 S * 5/2009 Ohtani et al. D10/102
D592,087 S * 5/2009 Ohtani et al. D10/102
D603,732 S * 11/2009 Chu D10/85

* cited by examiner

Primary Examiner—Antoine D Davis

(74) *Attorney, Agent, or Firm*—Sughrue Mion, PLLC

(57) **CLAIM**

The ornamental design for an air pressure detector for train, as shown and described.

DESCRIPTION

FIG. 1 is a front, top and right side perspective view of an air pressure detector for train, showing our new design;
FIG. 2 is a front elevational view thereof;
FIG. 3 is a rear elevational view thereof;
FIG. 4 is a top plan view thereof;
FIG. 5 is a bottom plan view thereof;
FIG. 6 is a right side elevational view thereof; and,
FIG. 7 is a left side elevational view thereof.

1 Claim, 3 Drawing Sheets

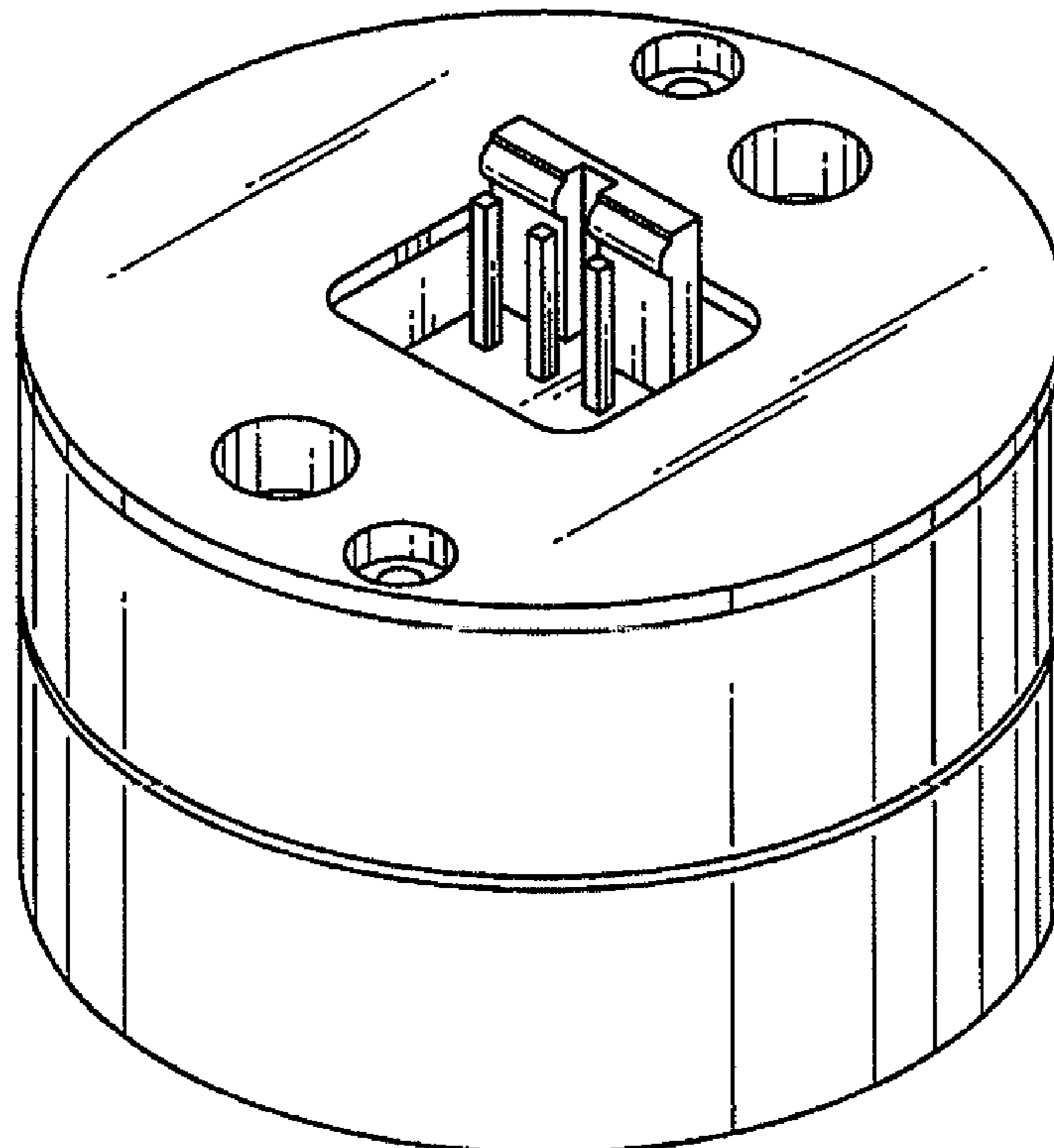


FIG.1

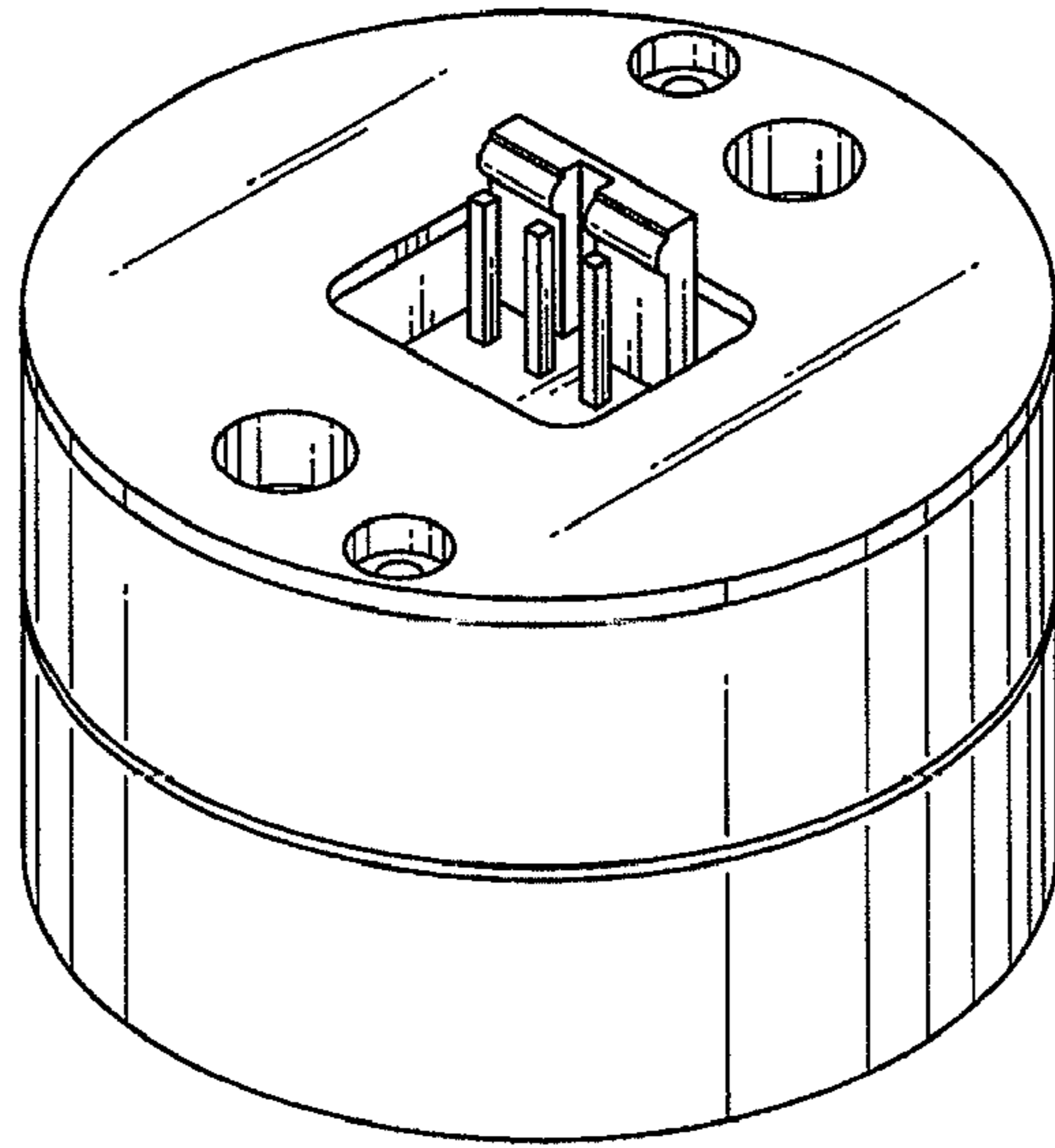


FIG.2

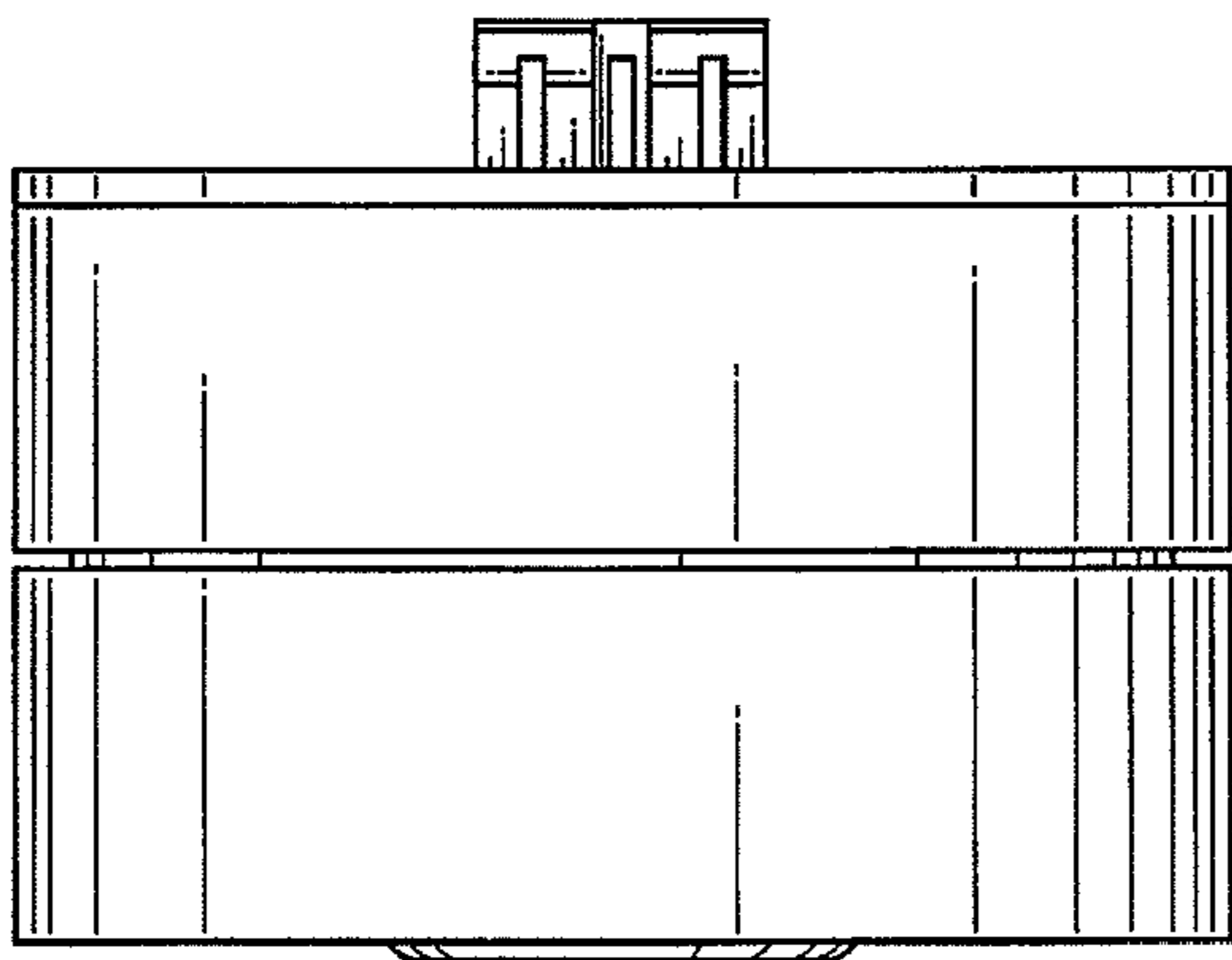


FIG.3

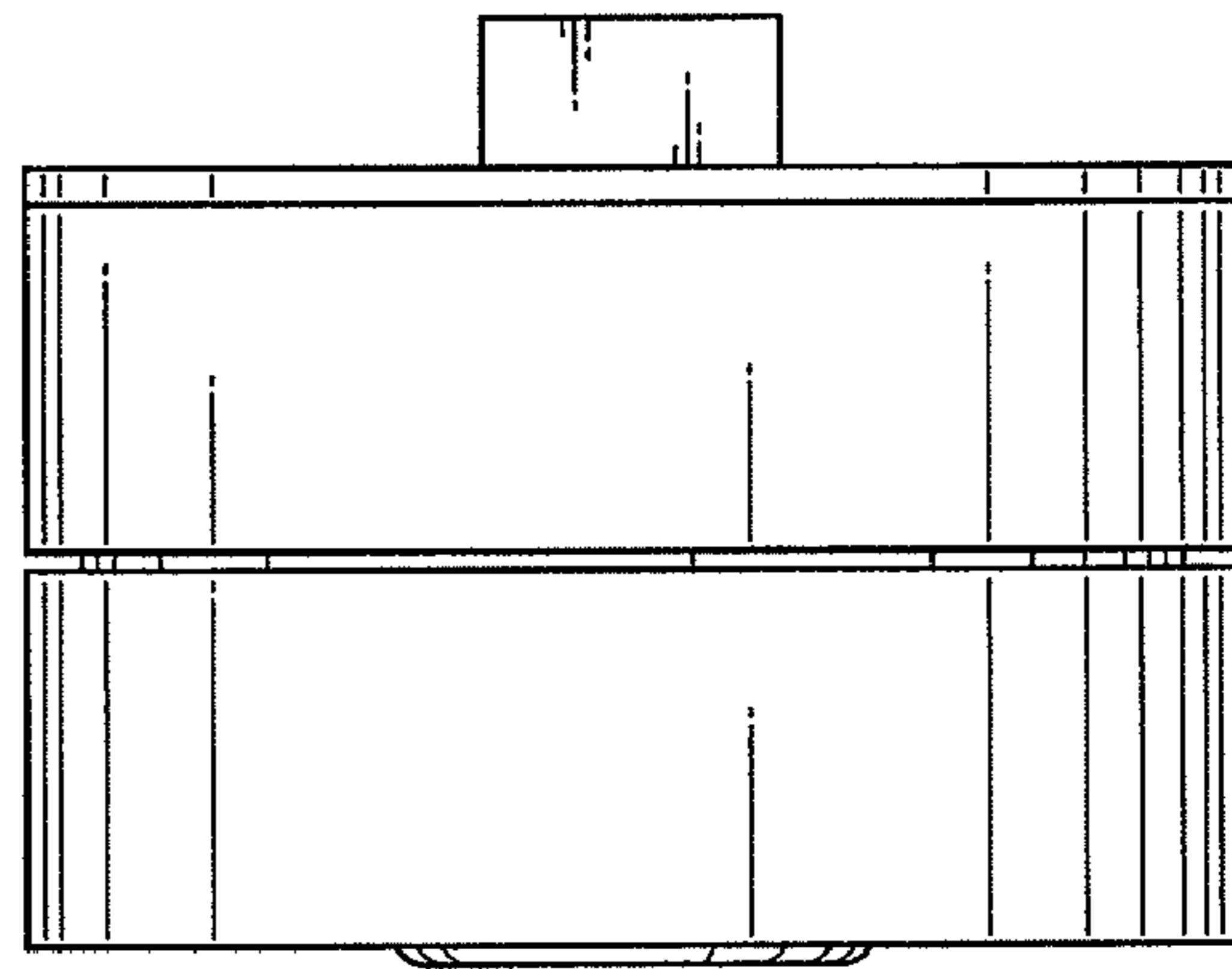


FIG.4

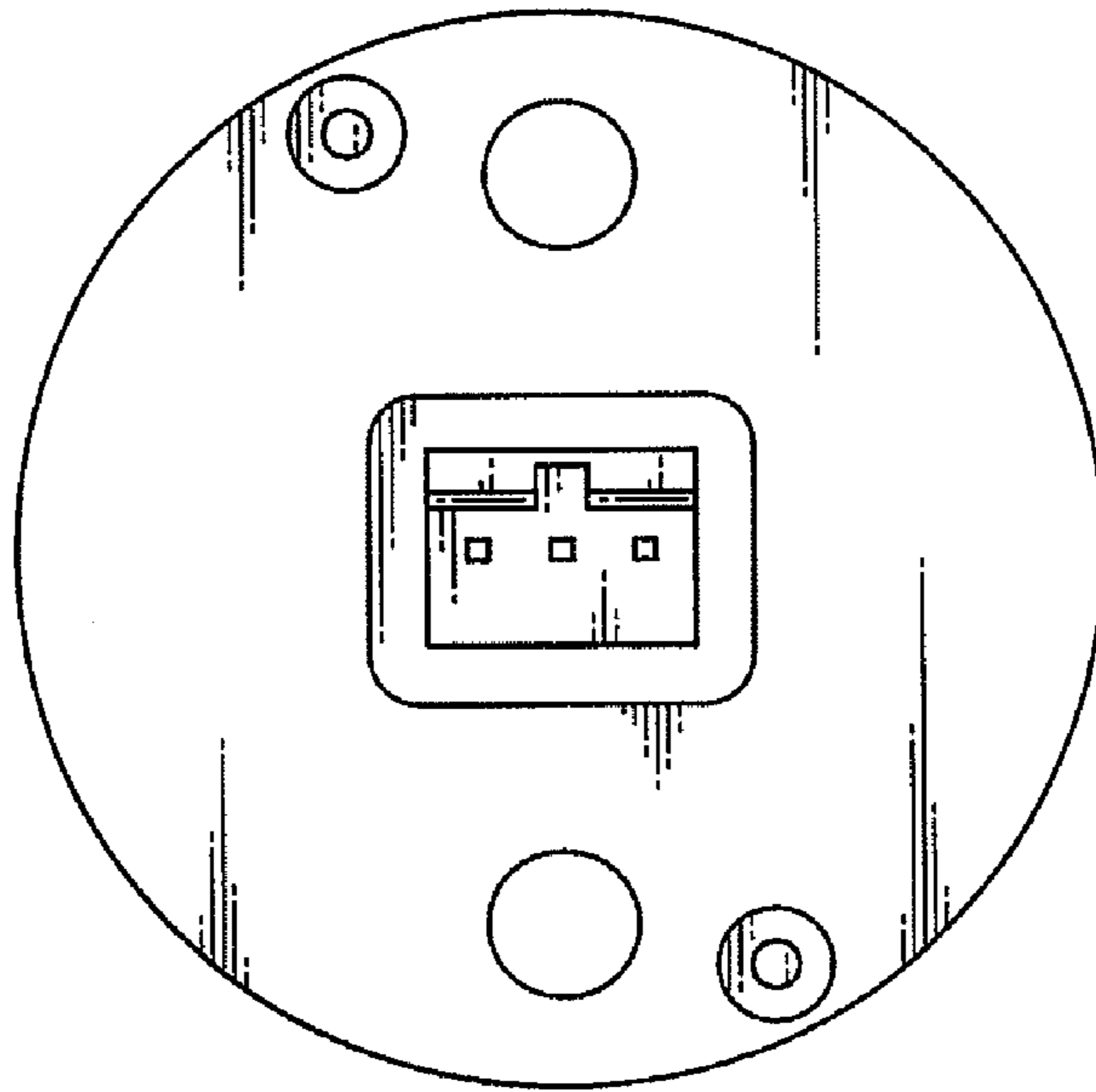


FIG.5

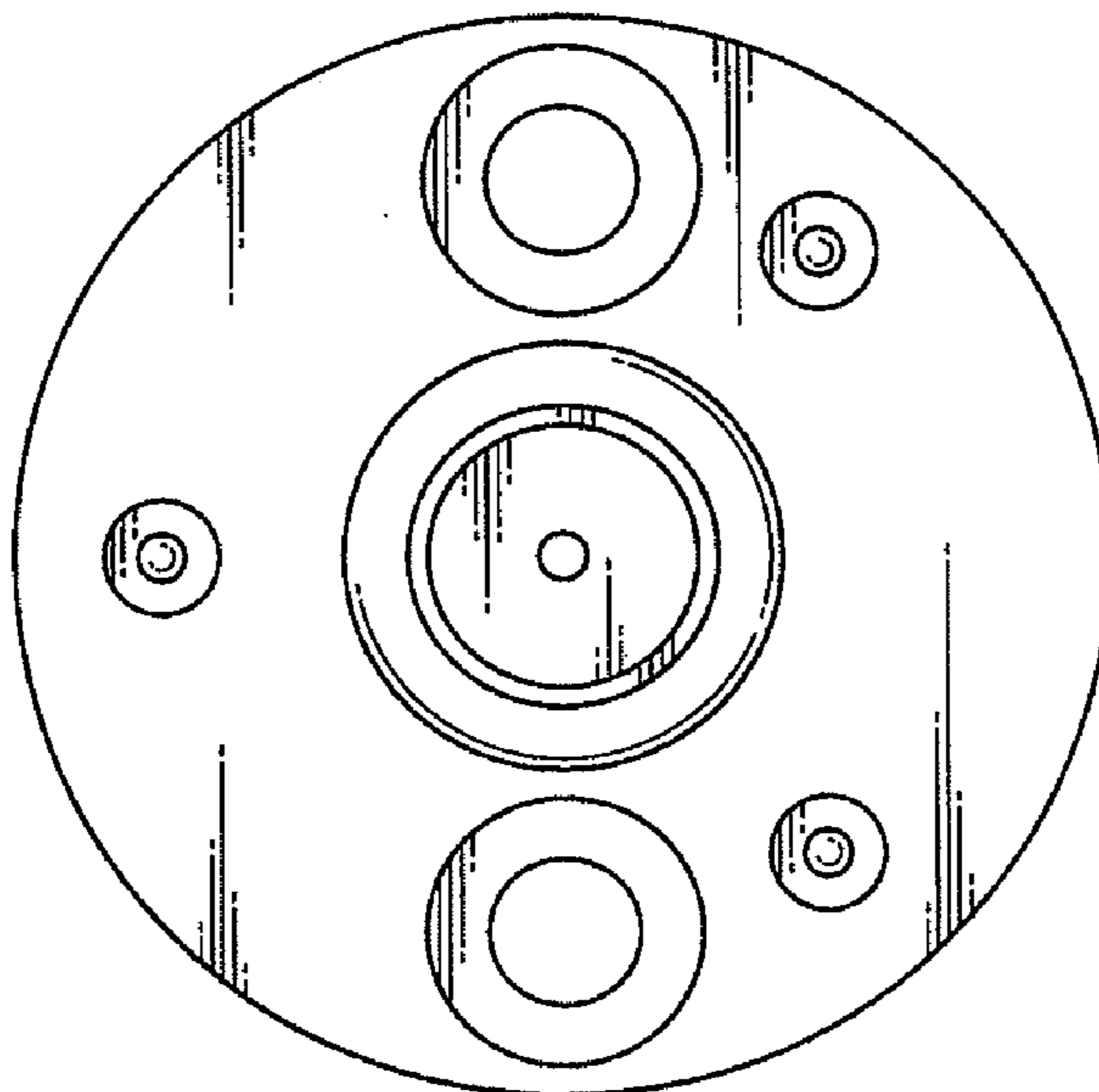


FIG.6

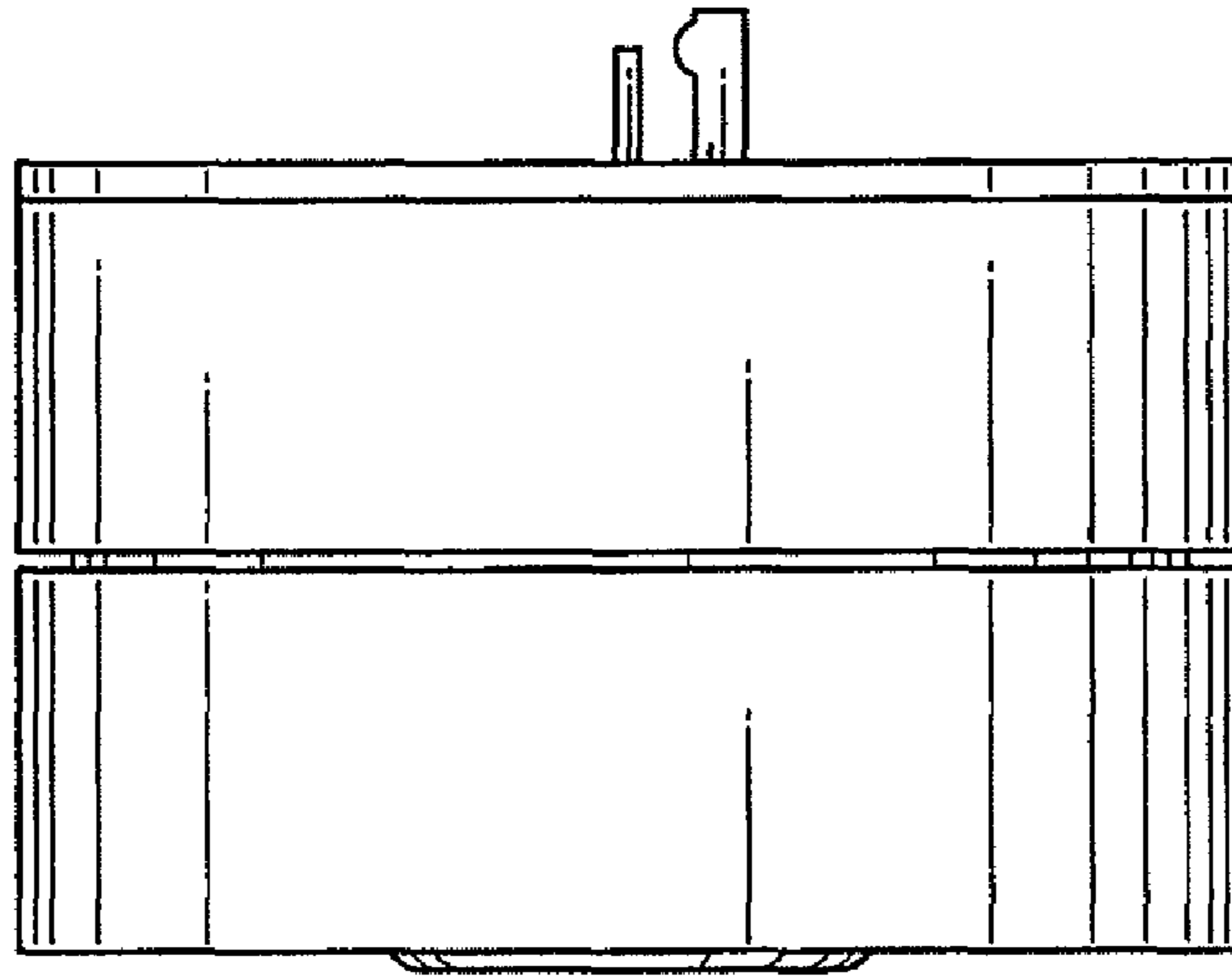


FIG.7

