



US00D631766S

(12) **United States Design Patent**
Petrucelli

(10) **Patent No.:** **US D631,766 S**

(45) **Date of Patent:** **** Feb. 1, 2011**

(54) **DISPLAY FOR A TIRE PRESSURE MONITORING SYSTEM**

D316,980 S 5/1991 Brinker et al.
D317,880 S 7/1991 Meehan
5,033,296 A 7/1991 Huang

(75) Inventor: **Steven Petrucelli**, Cranbury, NJ (US)

(73) Assignee: **Measurement Ltd.**, Grand Cayman (KY)

(Continued)

(**) Term: **14 Years**

Primary Examiner—Antoine D Davis

(74) *Attorney, Agent, or Firm*—Howard IP Law Group, PC

(21) Appl. No.: **29/346,413**

(57) **CLAIM**

(22) Filed: **Oct. 30, 2009**

The ornamental design for a display for a tire pressure monitoring system, as shown and described.

(51) **LOC (9) Cl.** **10-04**

(52) **U.S. Cl.** **D10/64**

(58) **Field of Classification Search** D10/65,
D10/102, 103; D13/162–162.1; D14/347;
204/269, 270, 275.1; 205/742, 759, 760,
205/761; 340/461, 462; 342/351, 419, 457,
342/357.06–357.16; 343/702; 345/7, 23,
345/29, 87, 104, 133, 156, 168, 173, 644,
345/901–905; 348/180, 184, 315, 739; 364/444,
364/499; 701/206–209, 213, 214; 715/821;
73/146.3, 146.4, 146.8, 744, 732, 742, 741,
73/717; 116/34 R, 272; 702/140

See application file for complete search history.

DESCRIPTION

FIG. 1 is a front elevational view of a display for a tire pressure monitoring system showing my new design, in an unenergized state, according to an embodiment of the invention;

FIG. 2 is a front elevational view of a display for a tire pressure monitoring system showing my new design, in an unenergized state, according to another embodiment of the invention;

FIG. 3 is a front elevational view of the display for a tire pressure monitoring system of FIG. 1, in an energized state showing exemplary values of the front and rear tire pressures and exemplary graphical indicators therefor, according to an embodiment of the invention; and,

FIG. 4 is a front elevational view of the display for a tire pressure monitoring system of FIG. 1, depicted in the environment of an exemplary tire pressure monitoring system, in an energized state showing alternate exemplary values of the front and the rear tire pressures and exemplary graphical indicators therefor, according to an embodiment of the invention.

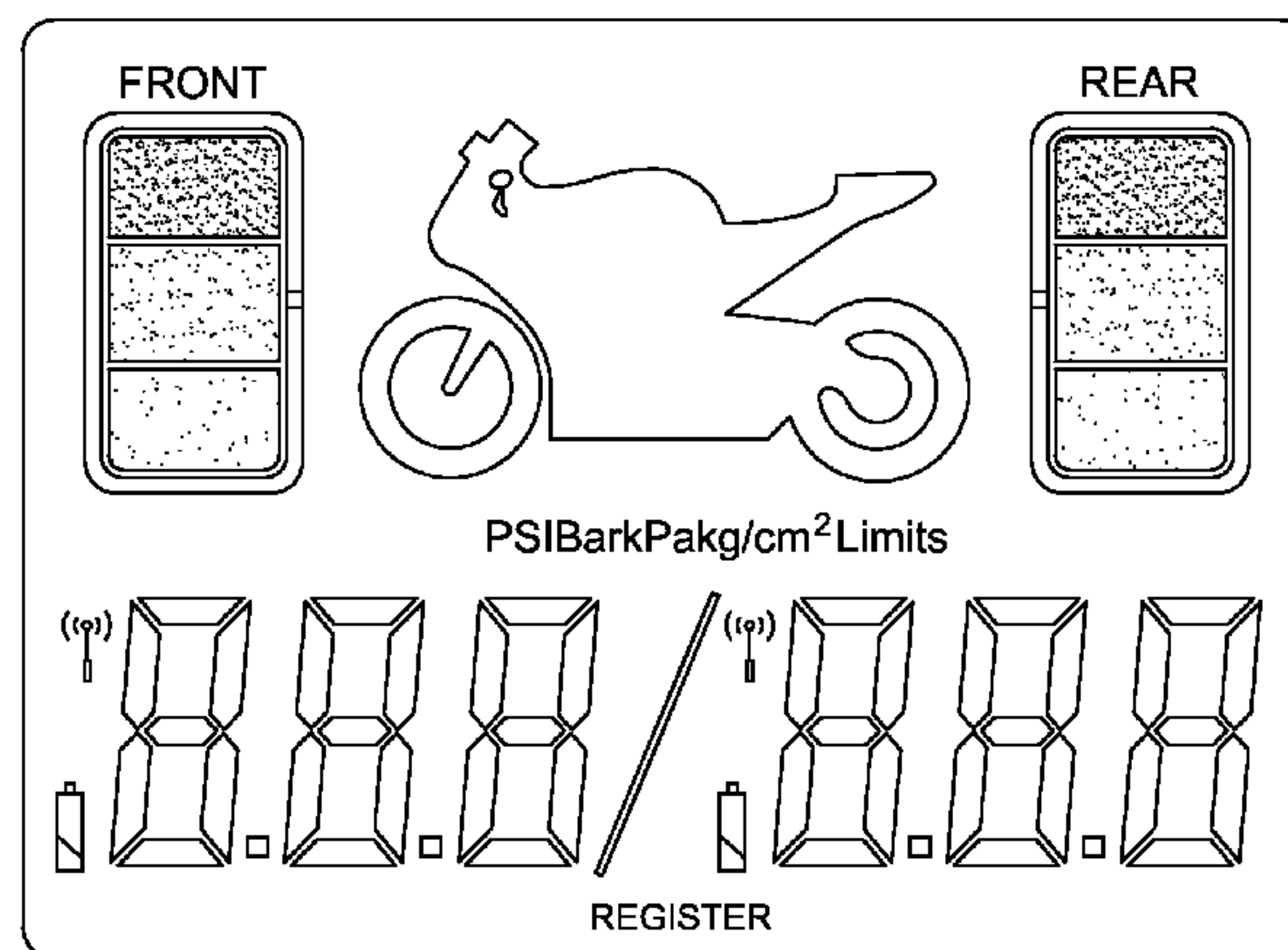
The other views are flat and do not contain ornamentality and thus have been omitted. The matter shown in dashed lines is environmental structure and forms no part of the claimed design.

(56) **References Cited**

U.S. PATENT DOCUMENTS

- D247,429 S 3/1978 Teal
- D259,863 S 7/1981 Eller
- D280,215 S 8/1985 Huang
- D286,270 S 10/1986 Huang
- D289,424 S 4/1987 Huang
- D294,229 S 2/1988 Bonazzi
- 4,748,845 A 6/1988 Rocco et al.
- 4,782,448 A 11/1988 Milstein
- D300,729 S 4/1989 Skaggs et al.
- 4,827,764 A 5/1989 Hwang
- 4,845,980 A 7/1989 Weng
- 4,916,944 A 4/1990 Ho-Chuan
- 4,924,697 A 5/1990 Hunt et al.
- D314,159 S 1/1991 O'Connor
- 4,998,438 A 3/1991 Martin

1 Claim, 2 Drawing Sheets



US D631,766 S

Page 2

U.S. PATENT DOCUMENTS

D320,170 S	9/1991	Hwang	D458,857 S	6/2002	Tseng
D320,756 S	10/1991	Ohno et al.	D459,257 S	6/2002	Petrucelli
5,117,684 A	6/1992	Hwang	D459,668 S	7/2002	Petrucelli
D331,371 S	12/1992	Weng	D460,704 S	7/2002	Peele
D335,465 S	5/1993	Garrison, III	D462,627 S	9/2002	Petrucelli
D336,735 S	6/1993	Nulsen	D469,706 S	2/2003	Huang
D337,730 S	7/1993	Rosenfeld	D472,172 S	3/2003	Fujioka et al.
D338,839 S	8/1993	Akins	D474,124 S	5/2003	Krieger et al.
D349,659 S	8/1994	Huang	D488,082 S	4/2004	Durr et al.
D352,252 S	11/1994	Huang	D491,480 S	6/2004	Huang et al.
D361,950 S	9/1995	Mascio	D492,608 S	7/2004	Fujioka
D366,845 S	2/1996	Handfield et al.	D496,602 S	9/2004	Shipman
D366,846 S	2/1996	Handfield et al.	D498,154 S	11/2004	Wang
D367,432 S	2/1996	Solloway	D501,146 S	1/2005	Durr et al.
5,629,873 A *	5/1997	Mittal et al. 702/140	6,838,983 B1	1/2005	Wong
5,640,776 A	6/1997	Krauss	D501,417 S	2/2005	Tseng
D390,140 S	2/1998	Germanton	D501,418 S	2/2005	Wang
D395,835 S	7/1998	Okuyama et al.	D502,214 S	2/2005	Davis et al.
D402,997 S	12/1998	Campbell et al.	D502,656 S	3/2005	Fujioka
D409,509 S	5/1999	Petrucelli et al.	D502,734 S	3/2005	Davis et al.
D409,931 S	5/1999	Petrucelli et al.	D502,735 S	3/2005	Davis et al.
D419,085 S	1/2000	Prus	D503,898 S	4/2005	Durr et al.
D420,299 S	2/2000	Jahn	D504,630 S	5/2005	Wang
D427,092 S	6/2000	Wu	D505,088 S	5/2005	Durr et al.
D427,093 S	6/2000	Wu	D505,871 S	6/2005	Little et al.
D440,893 S	4/2001	Van Zeyl	D505,872 S	6/2005	Durr et al.
D440,894 S	4/2001	Van Zeyl	D506,154 S	6/2005	Cowan et al.
D440,895 S	4/2001	Van Zeyl	7,040,153 B2	5/2006	Kroll et al.
D441,674 S	5/2001	Van Zeyl	D526,589 S	8/2006	Stowers et al.
D447,970 S	9/2001	Cappiello et al.	D526,922 S	8/2006	Stowers et al.
D450,257 S	11/2001	Bressler et al.	7,088,226 B2 *	8/2006	McClelland et al. 340/442
D455,361 S	4/2002	Super et al.	7,251,992 B2	8/2007	Petrucelli
D455,666 S	4/2002	Cappiello et al.	7,362,218 B2 *	4/2008	McCall et al. 340/447
			7,383,724 B2	6/2008	Petrucelli

* cited by examiner

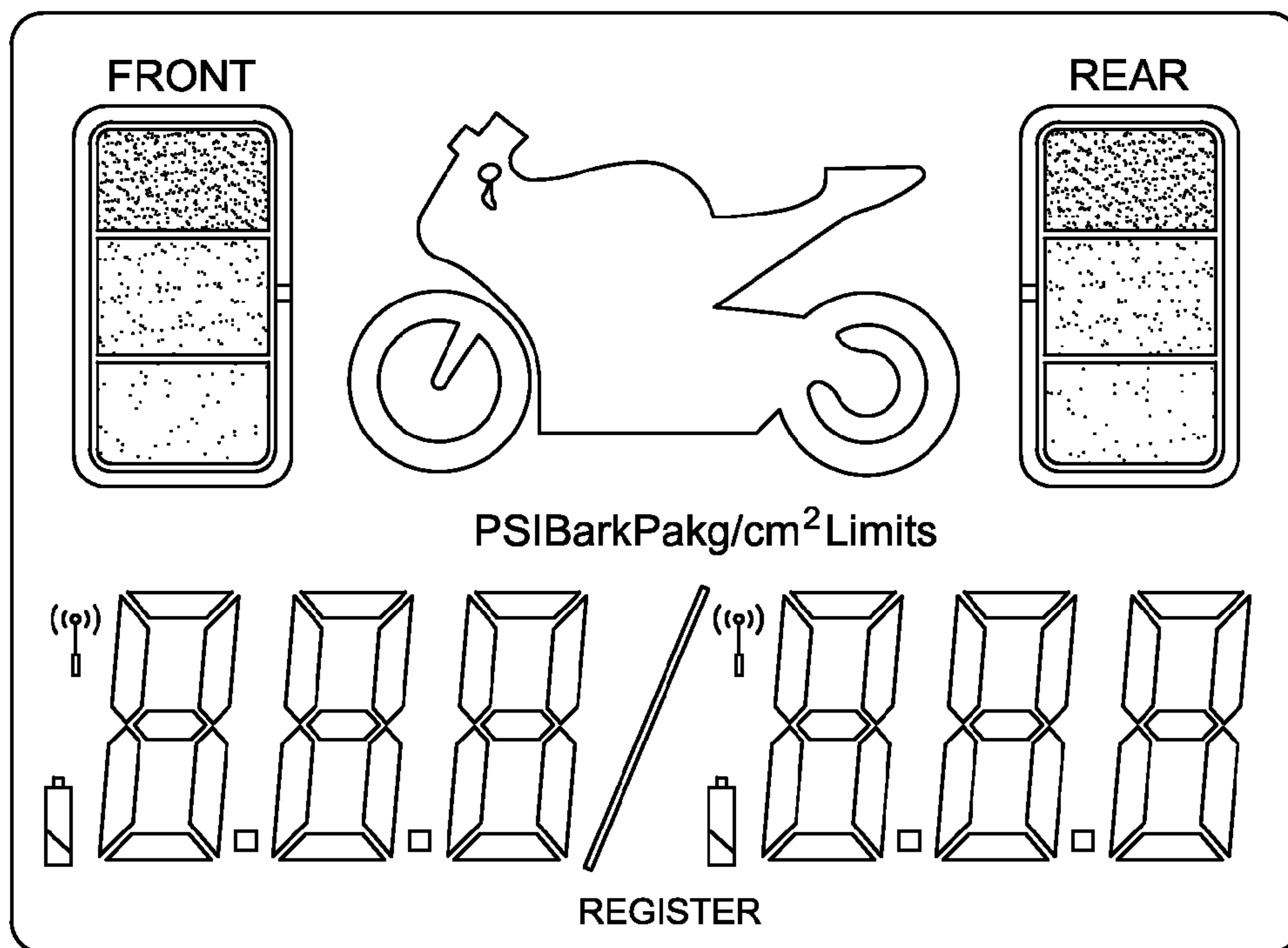


Fig. 1

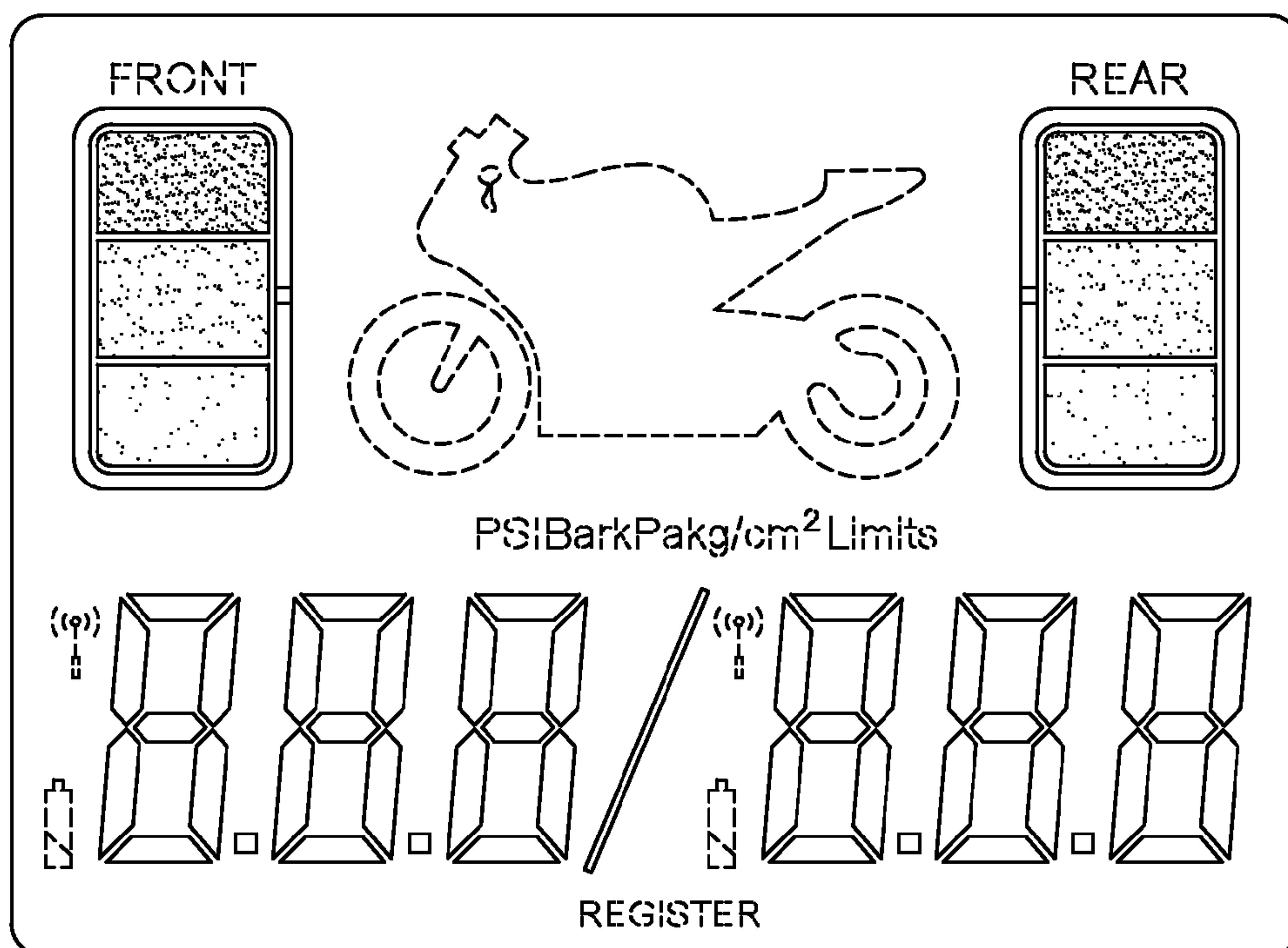


Fig. 2

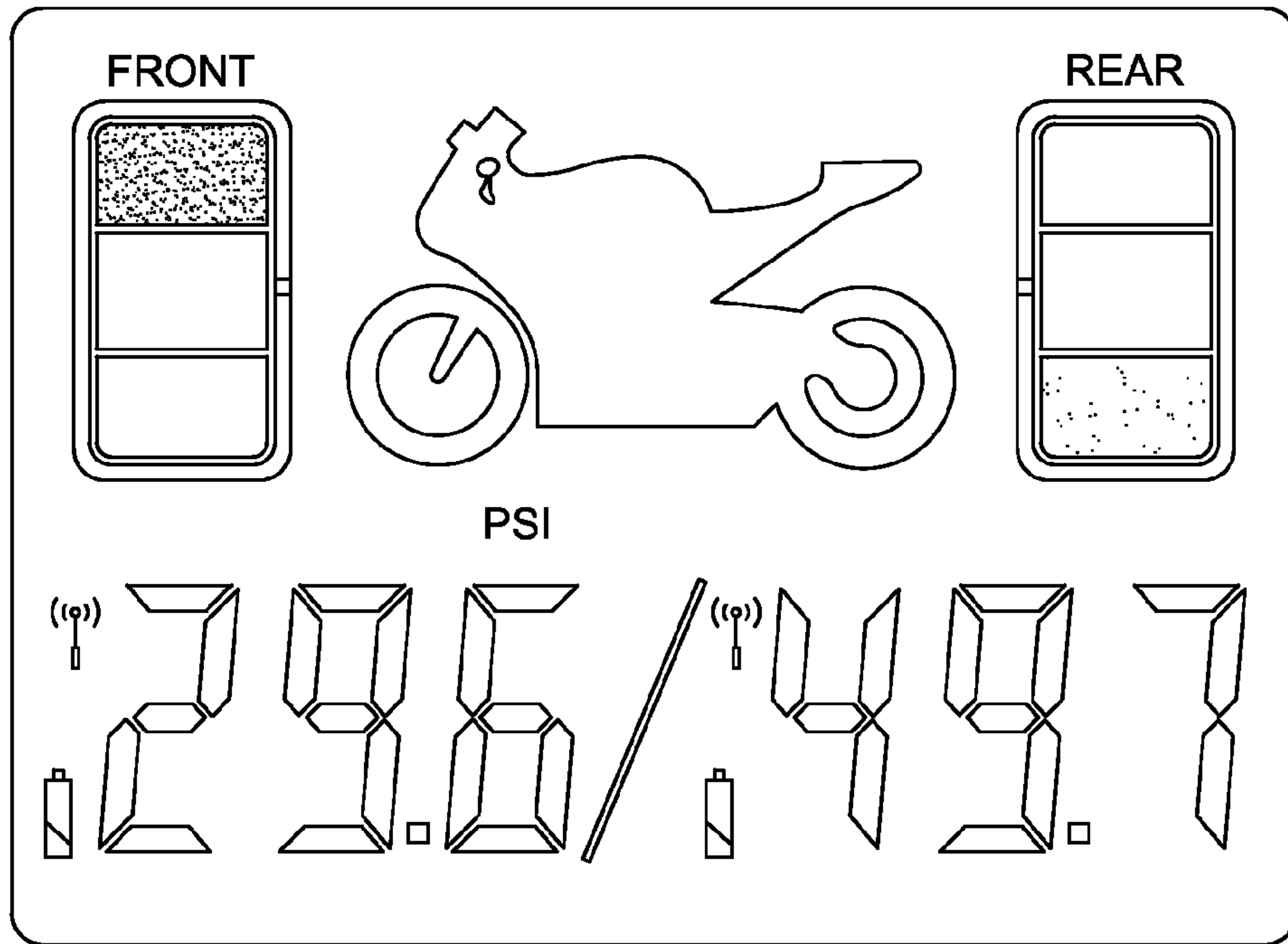


Fig. 3

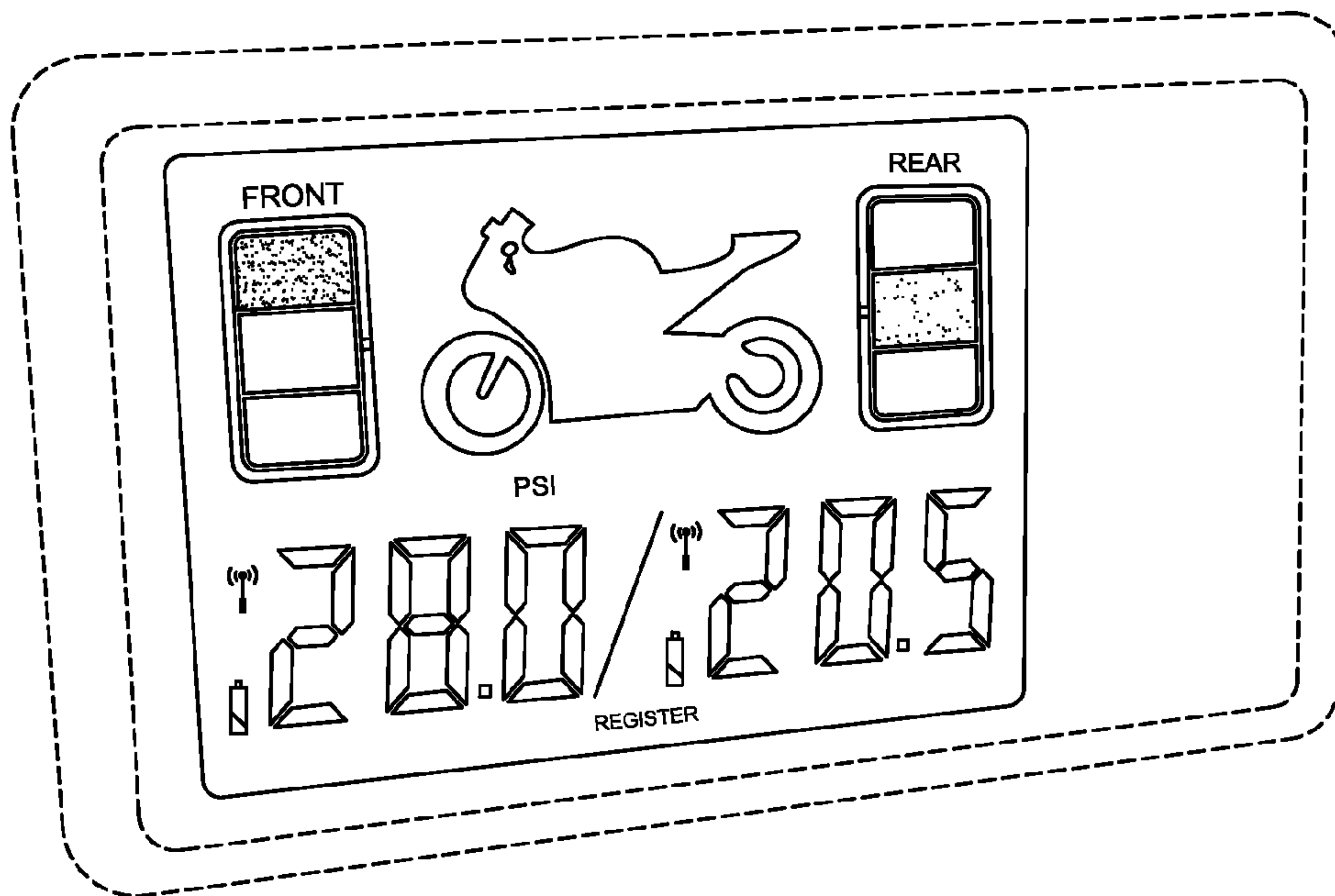


Fig. 4