



US00D631756S

(12) **United States Design Patent**
DeMarco

(10) **Patent No.:** **US D631,756 S**
(45) **Date of Patent:** **** Feb. 1, 2011**

(54) **CONTAINER BASE**

(75) Inventor: **Jenny DeMarco**, Plano, TX (US)

(73) Assignee: **Mary Kay Inc.**, Dallas, TX (US)

(**) Term: **14 Years**

(21) Appl. No.: **29/368,857**

(22) Filed: **Aug. 31, 2010**

Related U.S. Application Data

(62) Division of application No. 29/352,060, filed on Dec. 15, 2009, now Pat. No. Des. 622,614.

(51) **LOC (9) Cl.** **09-01**

(52) **U.S. Cl.** **D9/691**

(58) **Field of Classification Search** D9/682-694,
D9/500-505, 516-575, 434-454; D28/5,
D28/76, 77, 91.1; 215/379, 382, 272, 316-354;
220/376, 377, 602, 662, 665, 669, 915; 222/153.1,
222/153.13, 153.14, 182, 209-211, 215,
222/321.7-321.9, 372, 373, 378, 379, 383.1,
222/384-386, 398, 400.7, 400.8, 401, 402.1-402.25
See application file for complete search history.

(56) **References Cited**

U.S. PATENT DOCUMENTS

D69,486 S	2/1926	Braun	D9/545
D91,419 S	1/1934	Brown	D28/91.1
D129,662 S	9/1941	Vuilleminot	D28/91.1
2,917,766 A	12/1959	Ciffo	206/15.2
D212,525 S	10/1968	Kneapler	D9/500
D253,455 S	11/1979	Beene	D9/505
4,889,286 A	12/1989	Spector	239/47
D306,401 S	3/1990	Durand	D9/544
D311,492 S	10/1990	Pearse	D9/544
D311,867 S	11/1990	Kingsbury	D9/600
D313,346 S	1/1991	Fiore	D9/530
D313,748 S	1/1991	Dinand	D9/574
D314,332 S	2/1991	Sgariboldi	D9/544
D314,511 S	2/1991	Dinand	D9/571
D315,097 S	3/1991	Sgariboldi	D9/567

D315,300 S	3/1991	Dinand	D9/574
D315,501 S	3/1991	Durand	D9/564
D315,502 S	3/1991	Durand	D9/575
D315,679 S	3/1991	Durand	D9/566
D316,223 S	4/1991	Dinand	D9/548
D317,258 S	6/1991	Dinand	D9/545
D319,184 S	8/1991	Monod	D9/523
D320,550 S	10/1991	Arturo	D9/504

(Continued)

FOREIGN PATENT DOCUMENTS

CN 3046982 * 8/1996

(Continued)

OTHER PUBLICATIONS

Office Communication issued in U.S. Appl. No. 29/352,060 (now U.S. Patent No. D622,614) mailed on Jun. 7, 2010.

(Continued)

Primary Examiner—Catherine Tuttle
(74) *Attorney, Agent, or Firm*—Fulbright & Jaworski L.L.P.

(57) **CLAIM**

The ornamental design for a container base, as shown and described.

DESCRIPTION

FIG. 1 is a top perspective view showing my new design for a container base;

FIG. 2 is a front view thereof;

FIG. 3 is a back view thereof;

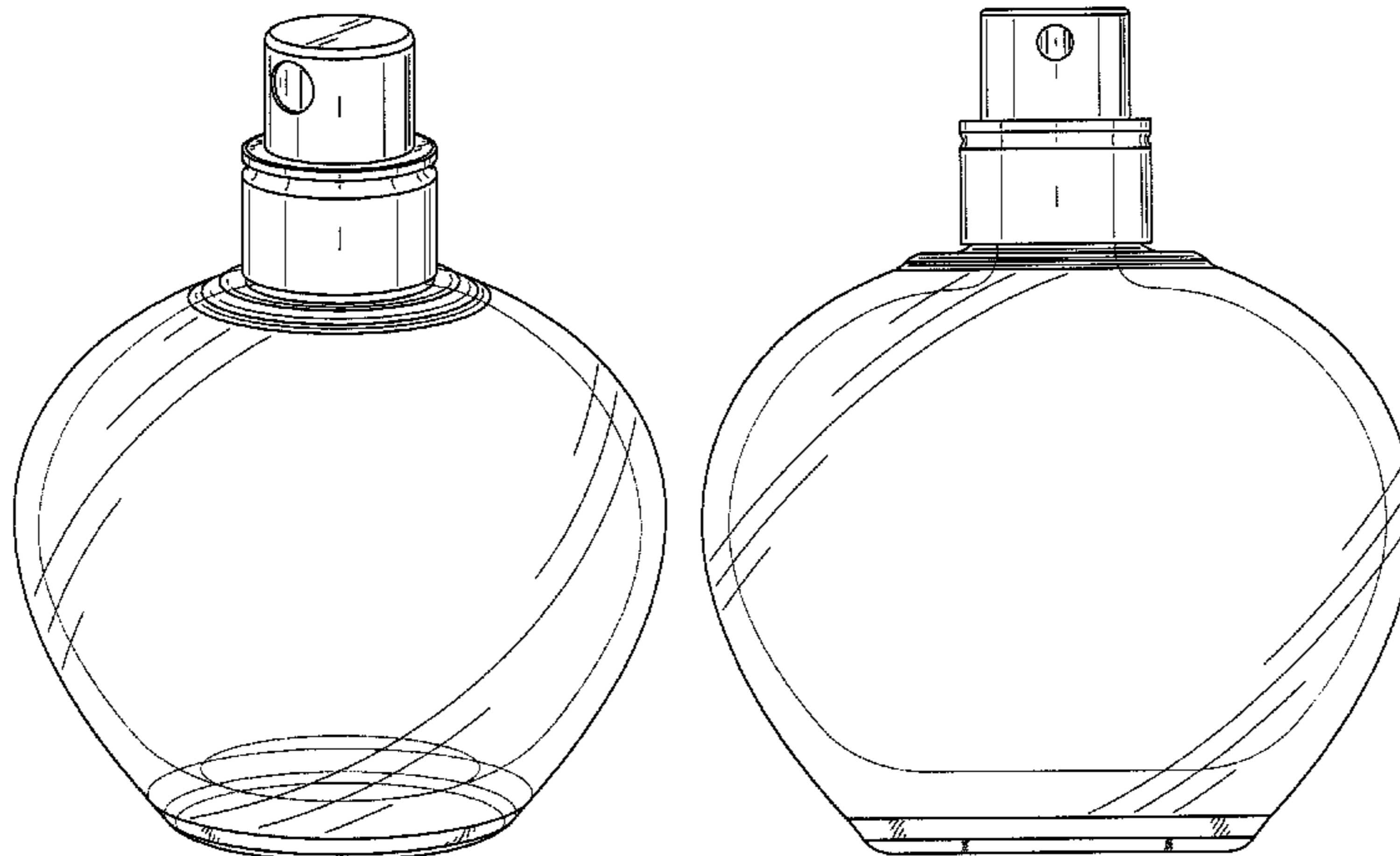
FIG. 4 is a right side view thereof;

FIG. 5 is a left side view thereof;

FIG. 6 is a top view thereof; and,

FIG. 7 is bottom view thereof.

1 Claim, 7 Drawing Sheets



US D631,756 S

Page 2

U.S. PATENT DOCUMENTS

D322,566 S 12/1991 Durand D9/565
D323,458 S 1/1992 Dinand D9/572
D323,459 S 1/1992 Cassini D9/670
D325,346 S 4/1992 Aliano et al. D9/544
D325,698 S 4/1992 Cavazza D9/544
D329,383 S 9/1992 Boucheron D9/529
D329,596 S 9/1992 Dinand D9/544
D331,366 S 12/1992 Cassini D9/670
D338,157 S 8/1993 Desgrippes D9/663
D338,833 S 8/1993 Dinand D9/516
D340,191 S 10/1993 Boussiquet D9/546
D341,321 S 11/1993 De Silva D9/519
D342,903 S 1/1994 Ricci D9/545
D355,124 S 2/1995 Ricci D9/503
D355,602 S 2/1995 Buettner et al. D9/505
D362,187 S 9/1995 Thompson D9/500
D365,991 S 1/1996 Varlet D9/544
5,487,489 A 1/1996 Weiss et al. 222/1
D378,354 S 3/1997 Varlet D9/544
D378,801 S 4/1997 Blanche D9/691
D380,390 S 7/1997 Varlet D9/558
D381,914 S 8/1997 Dinand D9/545
D388,321 S 12/1997 Chahed D9/638
D390,783 S 2/1998 Schneider et al. D9/503
D391,487 S 3/1998 Jivago D9/521
D392,032 S 3/1998 Zaragoza et al. D23/369
D393,596 S 4/1998 Kotyuk D9/558
D395,240 S 6/1998 Dinand D9/526
D395,398 S 6/1998 Kotyuk D9/558
D398,242 S 9/1998 Fling et al. D9/545
D398,243 S 9/1998 Dinand D9/548
D399,732 S 10/1998 Roberts D9/600
D412,283 S 7/1999 de Baschmakoff D9/544
D419,437 S 1/2000 Straeten D9/668
6,042,022 A 3/2000 Rogozinski et al. 239/211
D422,507 S 4/2000 Luzzi et al. D9/544
D422,899 S 4/2000 Kudo D9/687
D423,360 S 4/2000 Hirato et al. D9/504
D423,924 S 5/2000 Laracy D9/692
D423,938 S 5/2000 Kudo D9/259
D425,785 S 5/2000 Hirato et al. D9/689
D427,055 S 6/2000 Nicolas D9/689
D427,516 S 7/2000 Legros D9/632
D429,649 S 8/2000 Kotyuk D9/552
6,132,123 A 10/2000 Gueret 401/129
D438,457 S 3/2001 Le Rouzic D9/644
D440,152 S 4/2001 Legros D9/632
6,237,788 B1 5/2001 Shuen 215/12.1
D444,071 S 6/2001 Mansau D9/566
6,349,855 B1 2/2002 Borri 222/182
D456,267 S 4/2002 Borri D9/521
6,371,334 B1 4/2002 Lombardi 222/325
D465,149 S 11/2002 Bennett et al. D9/691
D470,042 S 2/2003 Reinoso D9/688
D471,086 S 3/2003 Helleu D9/694
6,527,402 B1 3/2003 Borri 362/86
D473,457 S 4/2003 Reinoso D9/686
6,726,016 B2 4/2004 Chen 206/581
D496,207 S 9/2004 Wang D7/300.1
D497,555 S 10/2004 Lecoule D9/572
D497,795 S 11/2004 Fling et al. D9/692
D511,688 S 11/2005 Baron D9/560
D520,879 S 5/2006 Antretter D9/683
7,080,760 B2 7/2006 Yu 222/633
D526,567 S 8/2006 Dalton D9/544

D531,912 S 11/2006 Antretter D9/546
D534,806 S 1/2007 Antretter D9/546
D534,809 S 1/2007 Paglina et al. D9/574
D537,347 S 2/2007 Burks D9/519
7,185,827 B2 3/2007 Quintard et al. 239/55
D540,173 S 4/2007 Obuchi D9/521
D542,138 S 5/2007 Hainaut D9/522
D545,200 S 6/2007 Dosa D9/519
D550,086 S 9/2007 Burks D9/519
D561,030 S 2/2008 Simkin D9/519
D562,689 S 2/2008 Antretter D9/544
D563,238 S 3/2008 Nevins et al. D9/684
D567,100 S 4/2008 Liden et al. D9/560
D567,666 S 4/2008 Hessmer et al. D9/686
D567,667 S 4/2008 Kikuchi D9/687
D568,758 S 5/2008 Burks D9/670
D572,145 S 7/2008 Knapp et al. D9/635
D573,035 S 7/2008 Dean D9/690
D573,471 S 7/2008 Seum et al. D9/516
D574,249 S 8/2008 Seum et al. D9/529
D576,880 S 9/2008 Couey D9/503
D577,600 S 9/2008 Kim et al. D9/573
D579,782 S 11/2008 Reinoso D9/544
D584,625 S 1/2009 Seum et al. D9/516
D584,639 S 1/2009 Antretter D9/687
D586,226 S 2/2009 Lloyd D9/556
D588,469 S 3/2009 Pininfarina D9/687
D588,927 S 3/2009 Antretter D9/630
D589,362 S 3/2009 Takounseun et al. D9/691
D592,973 S 5/2009 Kim D9/719
D593,420 S 6/2009 Augenbraun et al. D9/687
D593,863 S 6/2009 Fahy et al. D9/516
D596,950 S 7/2009 Nevins et al. D9/690
D599,675 S 9/2009 Premo D9/687
D600,123 S 9/2009 Baron D9/517
D601,024 S 9/2009 Rica D9/516
D601,026 S 9/2009 Jost et al. D9/522
D601,029 S 9/2009 Wagner D9/535
D601,033 S 9/2009 Rica D9/544
2003/0127354 A1 7/2003 Chen 206/581
2006/0138172 A1 6/2006 Yu 222/261
2007/0125805 A1 6/2007 Thomson et al. 222/251
2008/0000869 A1 1/2008 McGuinness 215/317
2008/0286143 A1 11/2008 Grodsky 422/4
2009/0065467 A1 3/2009 Heyn 215/317
2009/0194191 A1 8/2009 Turgeman 141/18
2009/0272146 A1 11/2009 Kazazian 63/1.14

FOREIGN PATENT DOCUMENTS

CN	300815095	8/2009
EM	000139746-0009	* 6/2004
EM	000770318-0003	8/2007
EM	001002653-0001	9/2008
EM	001005797-0001	10/2008
EM	001076020-0004	2/2009
EM	001099741-0002	4/2009
EM	001111033-0002	5/2009
FR	040313-007	3/2004
RU	70710	2/2008
WO	D037419-001	11/1996
WO	D063943-002	7/2003

OTHER PUBLICATIONS

Russian Office Action, issued in Russian Application No. 2010500639, dated Oct. 4, 2010 (partial English translation).

* cited by examiner

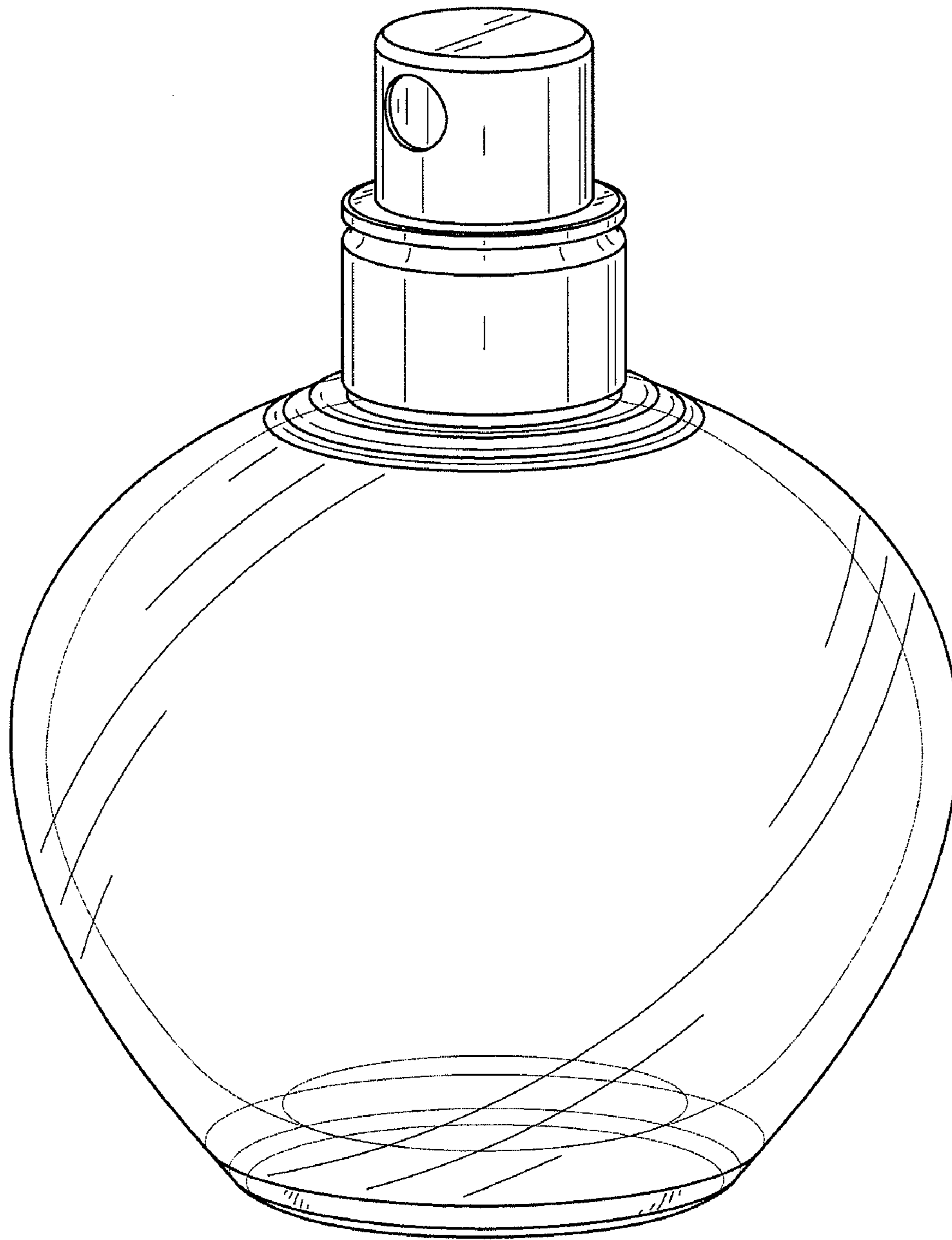


FIG. 1

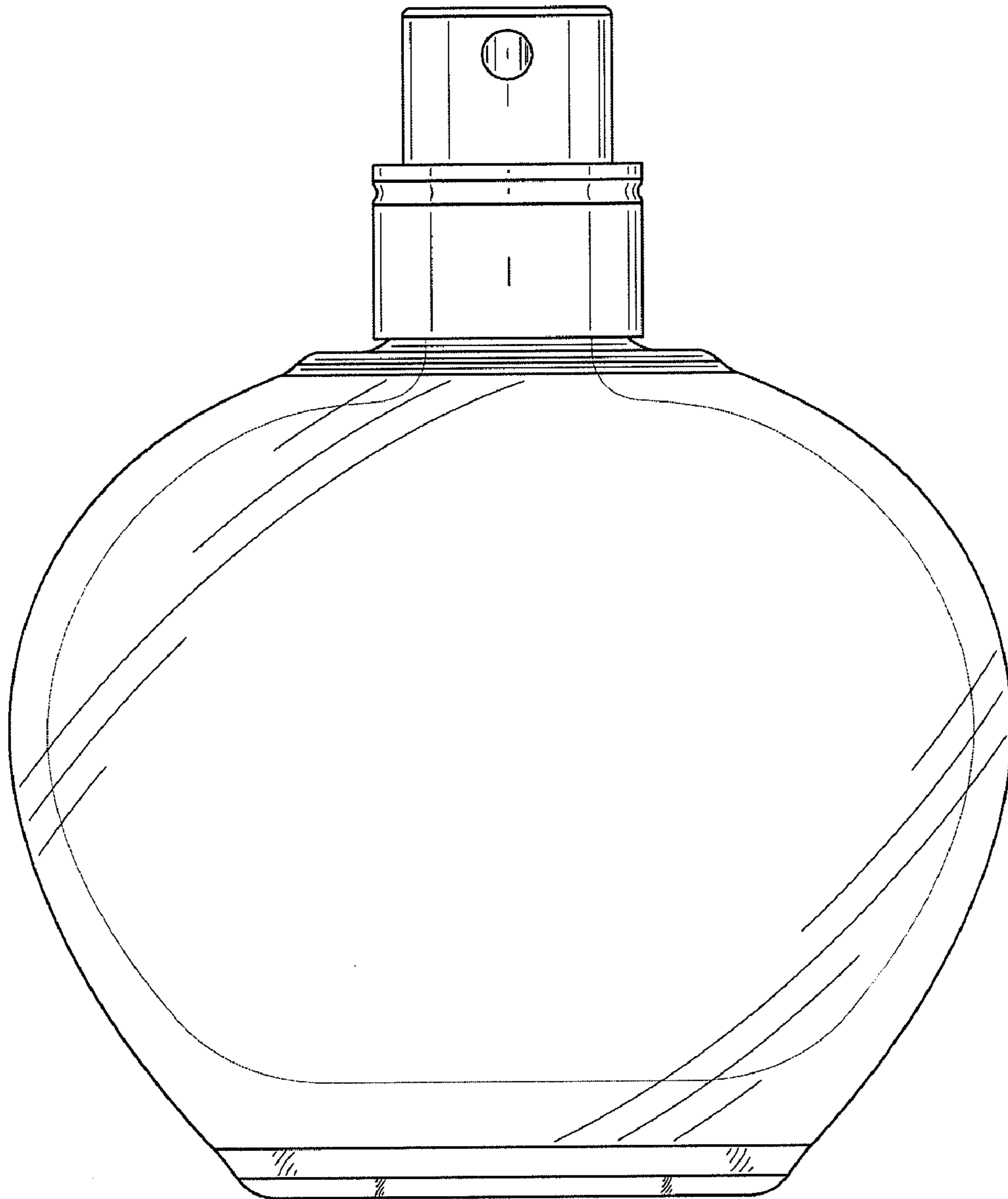


FIG. 2

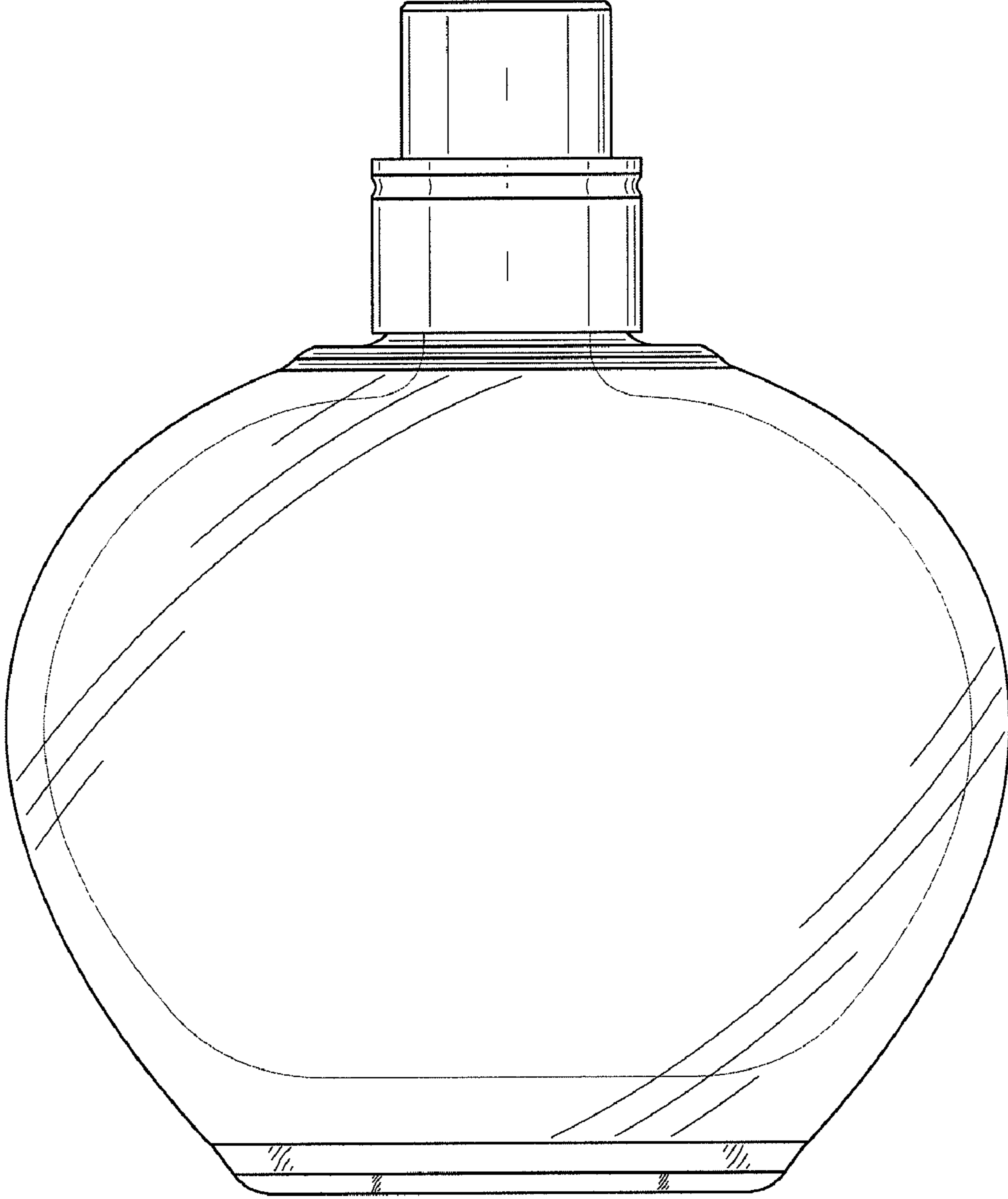


FIG. 3

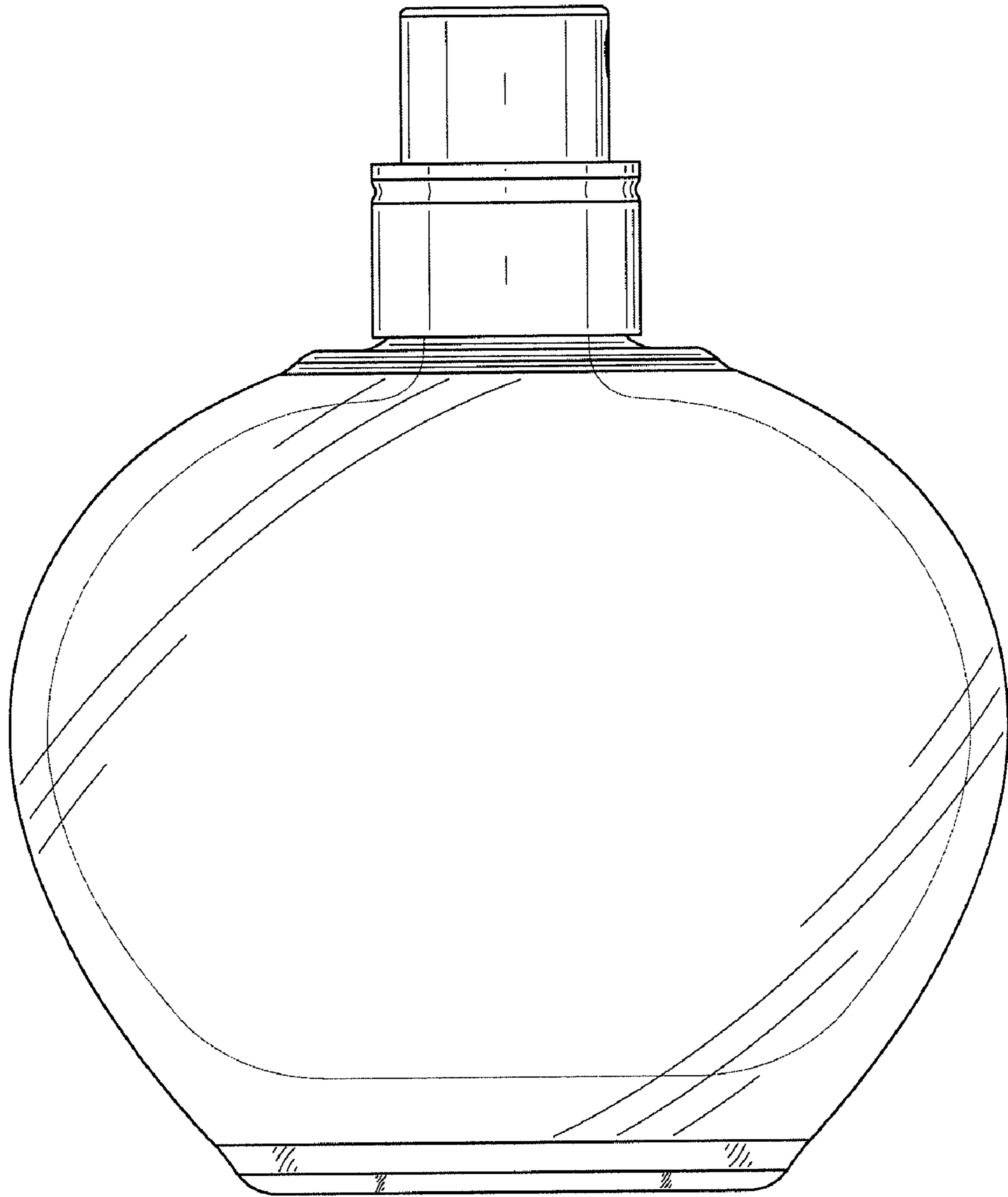


FIG. 4

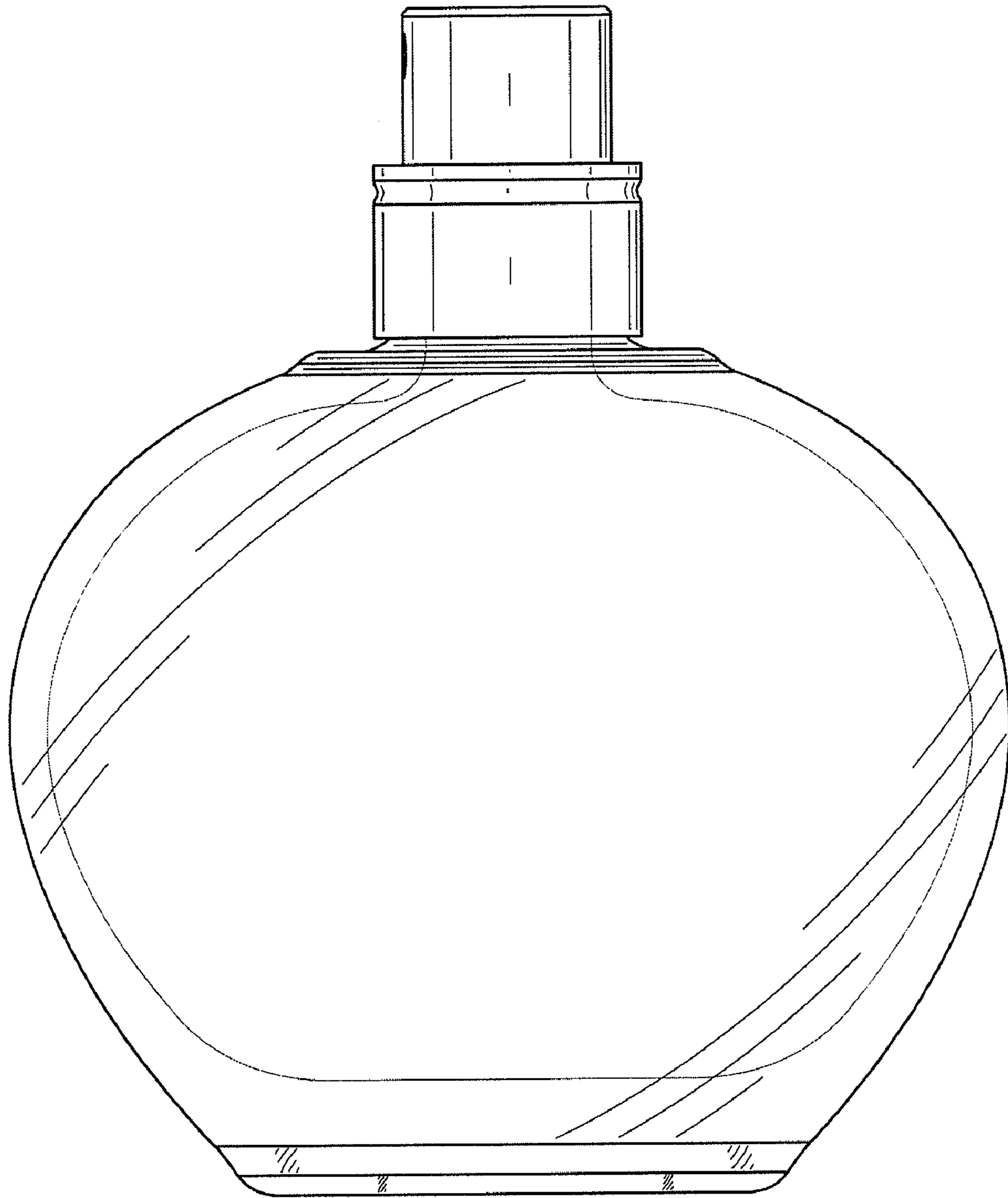


FIG. 5

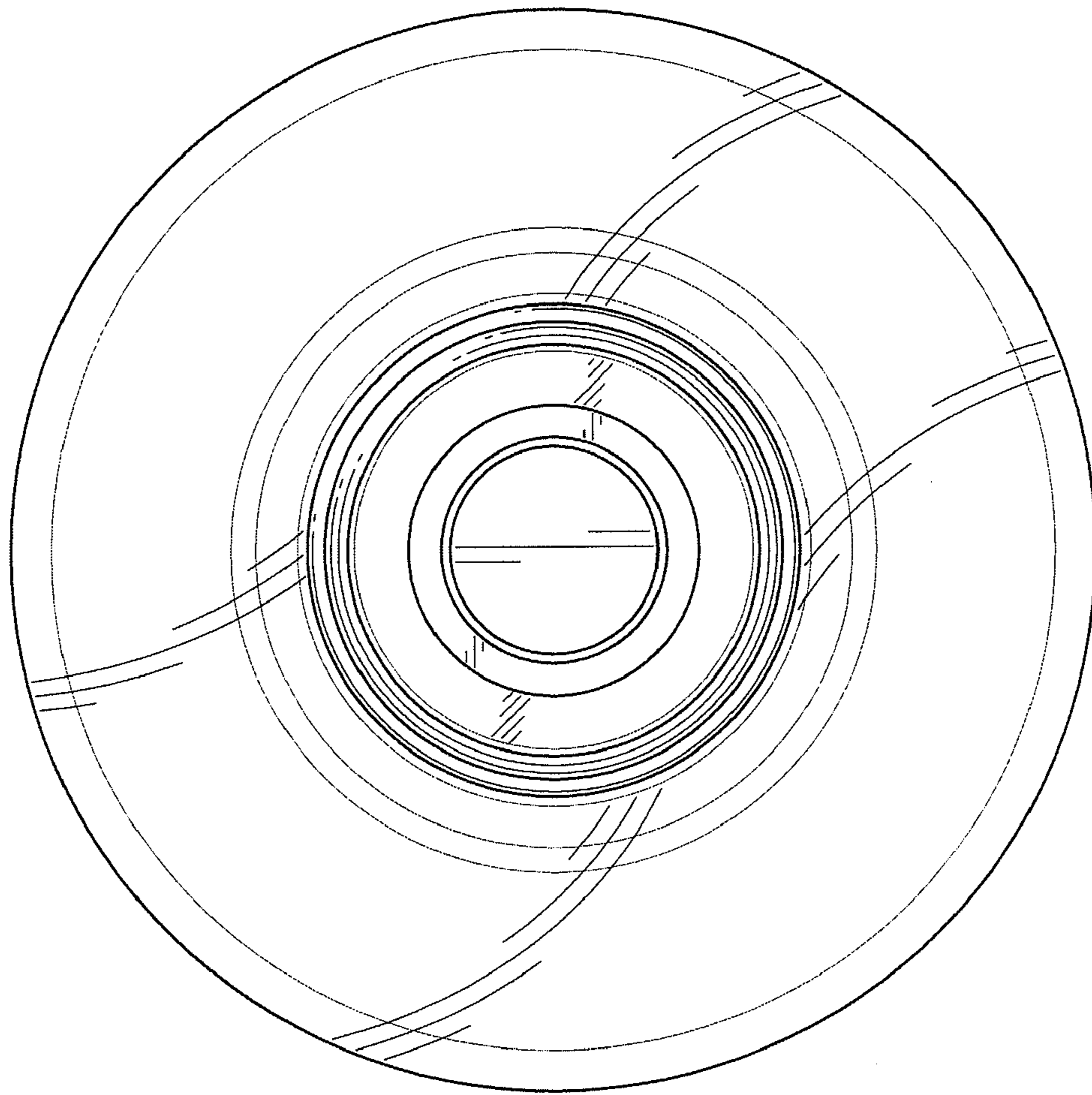


FIG. 6

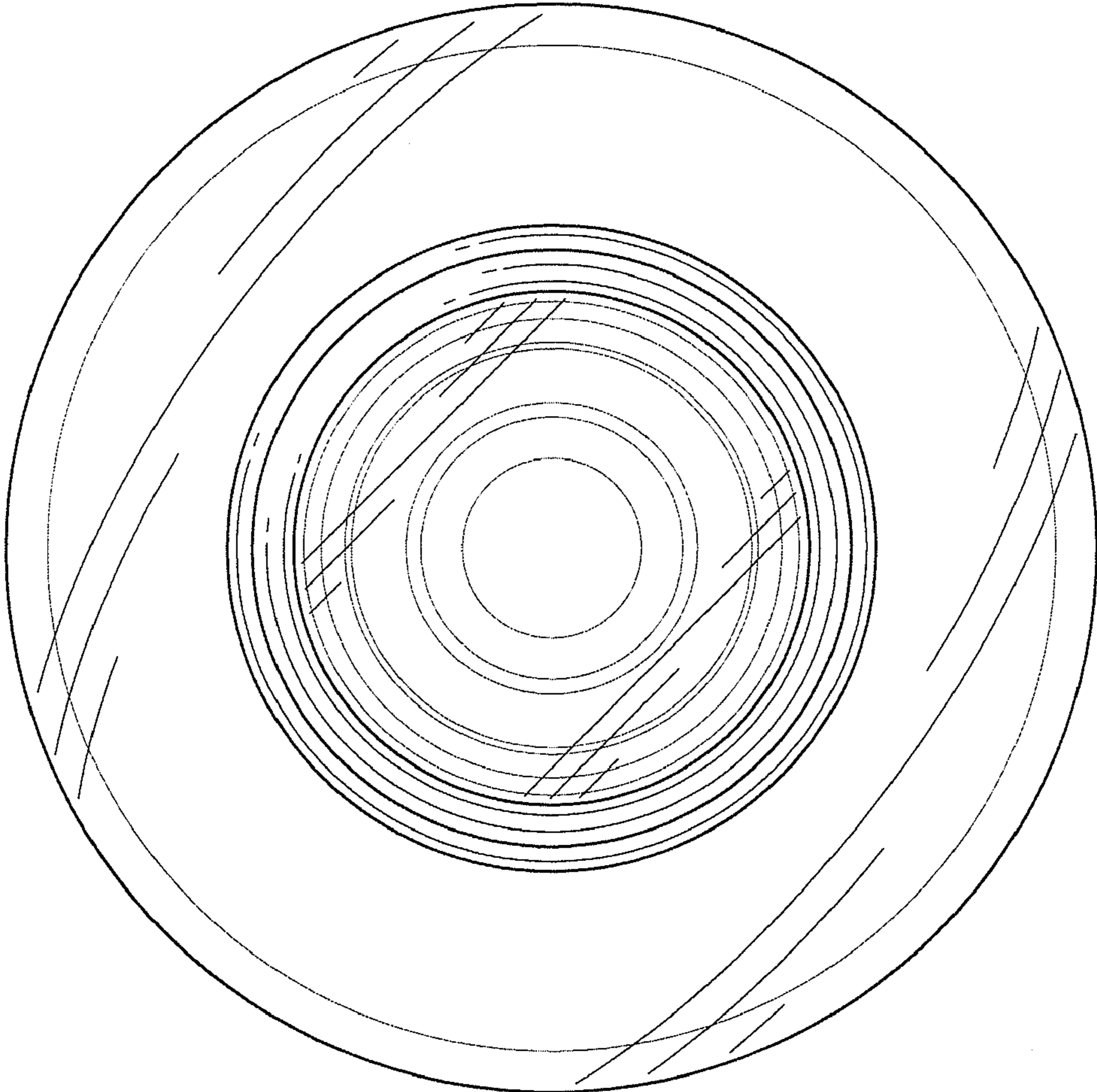


FIG. 7