



US00D631755S

(12) **United States Design Patent**  
**Stas**

(10) **Patent No.:** **US D631,755 S**

(45) **Date of Patent:** **\*\* Feb. 1, 2011**

(54) **BOX FOR A WATCH**

D546,173 S \* 7/2007 Au ..... D9/420  
D583,249 S \* 12/2008 Kracke ..... D9/600

(75) Inventor: **Peter Stas**, Vandoeuvre (CH)

\* cited by examiner

(73) Assignee: **Frederique Constant SA** (CH)

*Primary Examiner*—Sandra Morris

(\*\*) Term: **14 Years**

(74) *Attorney, Agent, or Firm*—Galbreath Law Offices, P.C.;  
John A. Galbreath

(21) Appl. No.: **29/357,262**

(57) **CLAIM**

(22) Filed: **Mar. 10, 2010**

The ornamental design for a box for a watch, as shown and described.

(51) **LOC (9) Cl.** ..... **09-01**

(52) **U.S. Cl.** ..... **D9/665; D9/600; D9/420;**  
D3/271.7

**DESCRIPTION**

(58) **Field of Classification Search** ..... D3/270–271.1,  
D3/271.7; D9/600, 642, 665, 414–415, 420;  
D11/157; 206/457–458, 527; 220/890  
See application file for complete search history.

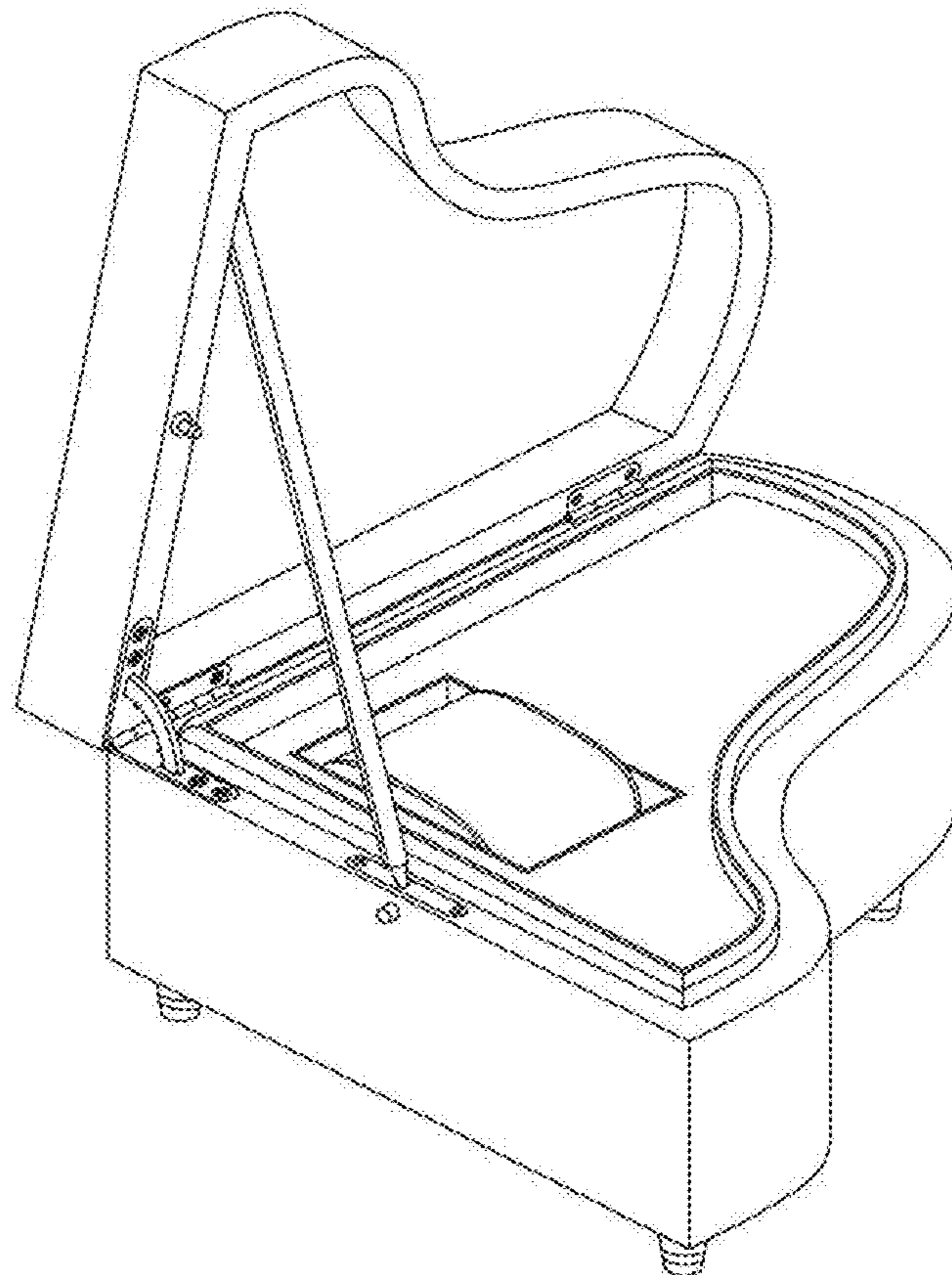
FIG. 1 is a top view of the invention;  
FIG. 2 is a bottom view of the invention;  
FIG. 3 is a side view of the invention;  
FIG. 4 is another side view of the invention, showing the side opposite that shown in FIG. 3;  
FIG. 5 is a front view of the invention;  
FIG. 6 is a back view of the invention;  
FIG. 7 is a perspective view of the invention, with the box lid closed; and,  
FIG. 8 is another perspective view of the invention, with the box lid open.

(56) **References Cited**

**U.S. PATENT DOCUMENTS**

D73,907 S \* 11/1927 Fingerman ..... D3/271.7  
D128,007 S \* 7/1941 Sierad ..... D9/665  
D134,507 S \* 12/1942 Hershfield ..... D9/665  
4,034,849 A \* 7/1977 Zakrajsek ..... D9/422  
D287,512 S \* 12/1986 Shaw ..... D3/271.7  
D429,639 S \* 8/2000 Dikowitz ..... D9/422  
D470,766 S \* 2/2003 Fai Au ..... D9/422  
D514,473 S \* 2/2006 Pendleton ..... D11/157

**1 Claim, 1 Drawing Sheet**



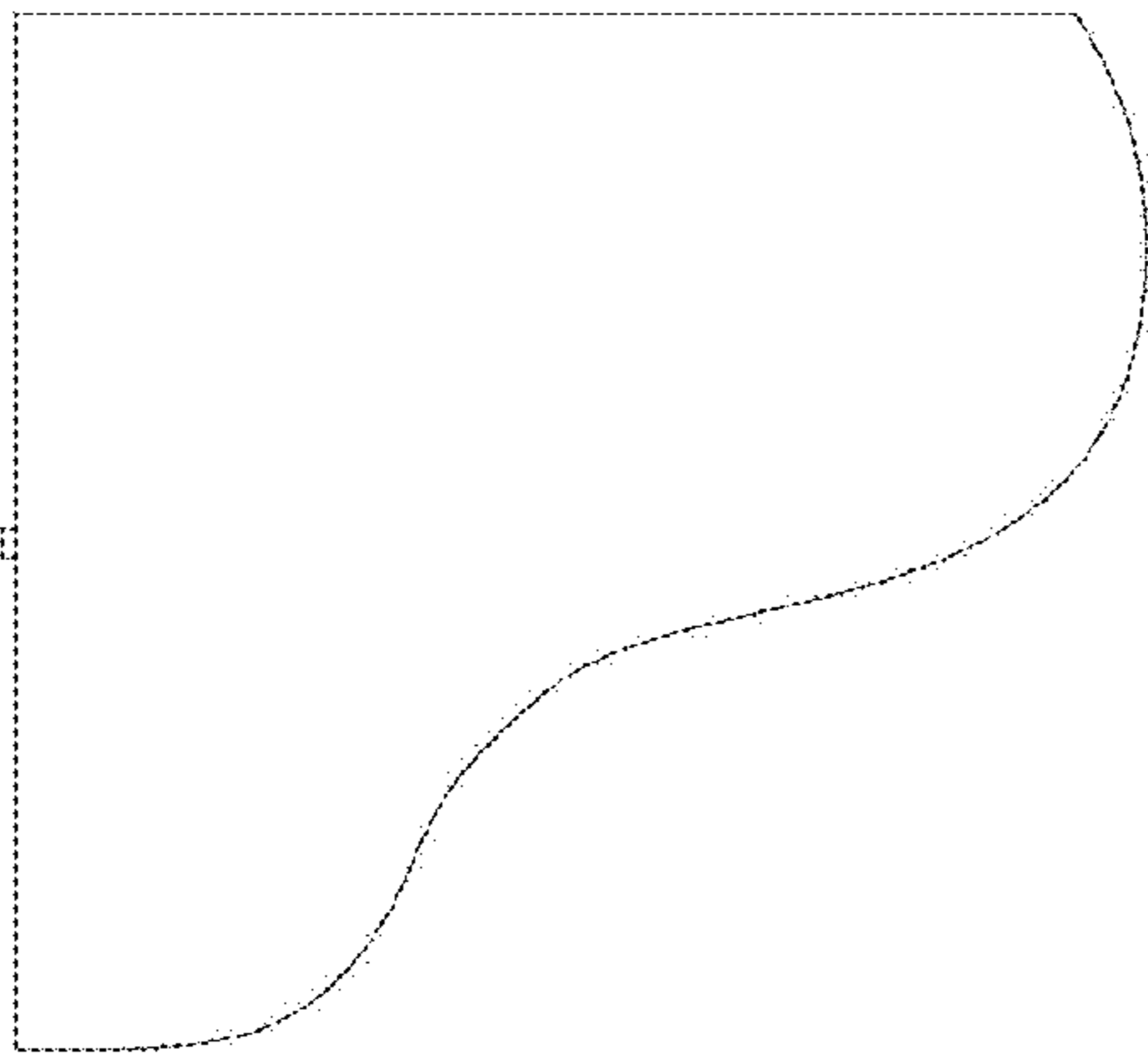


Fig. 1

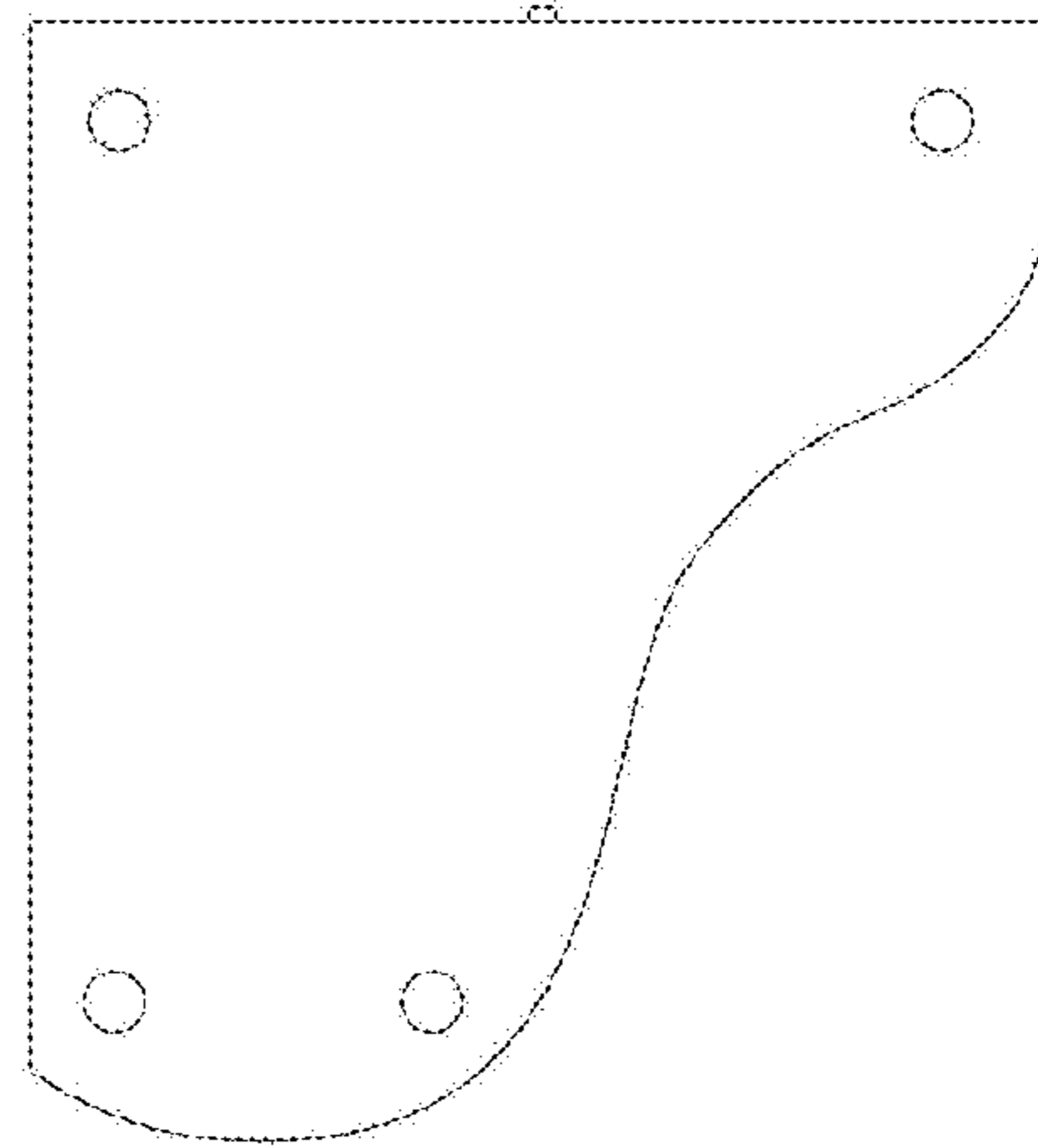


Fig. 2

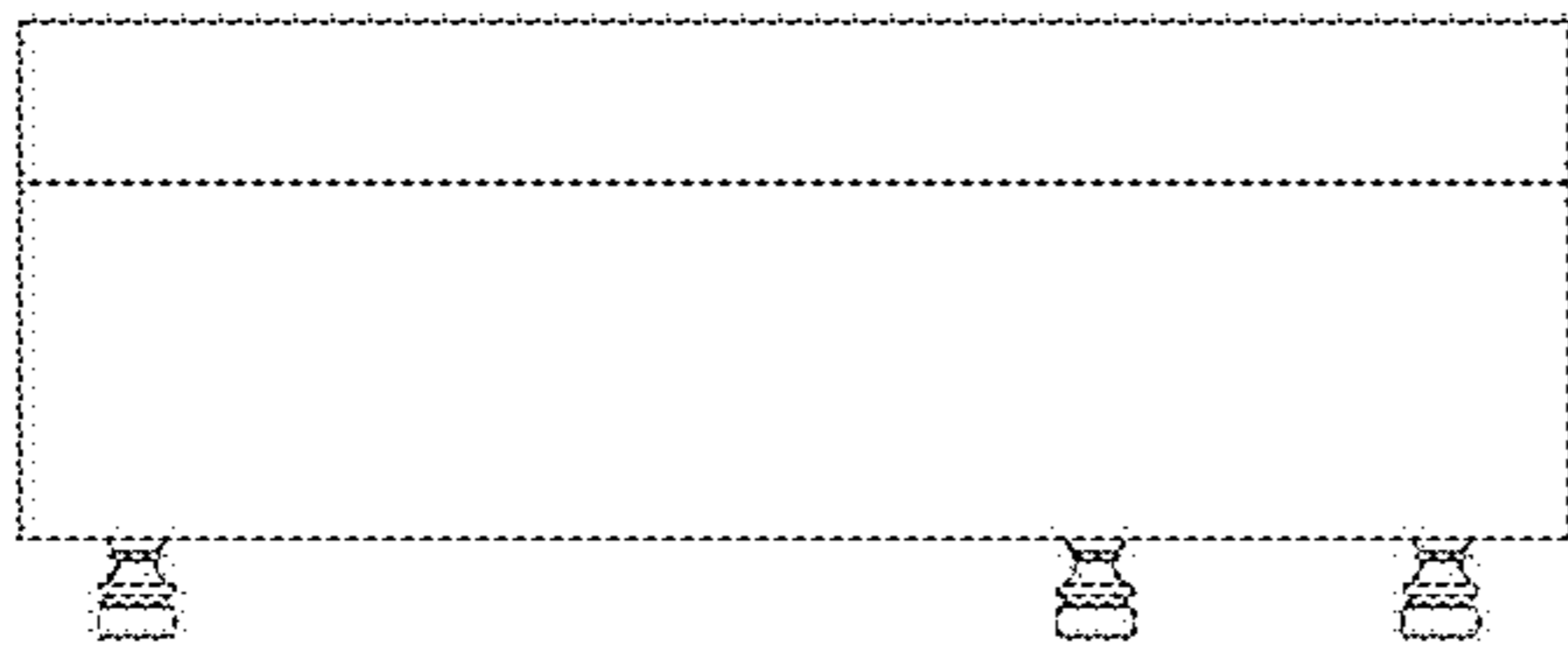


Fig. 3

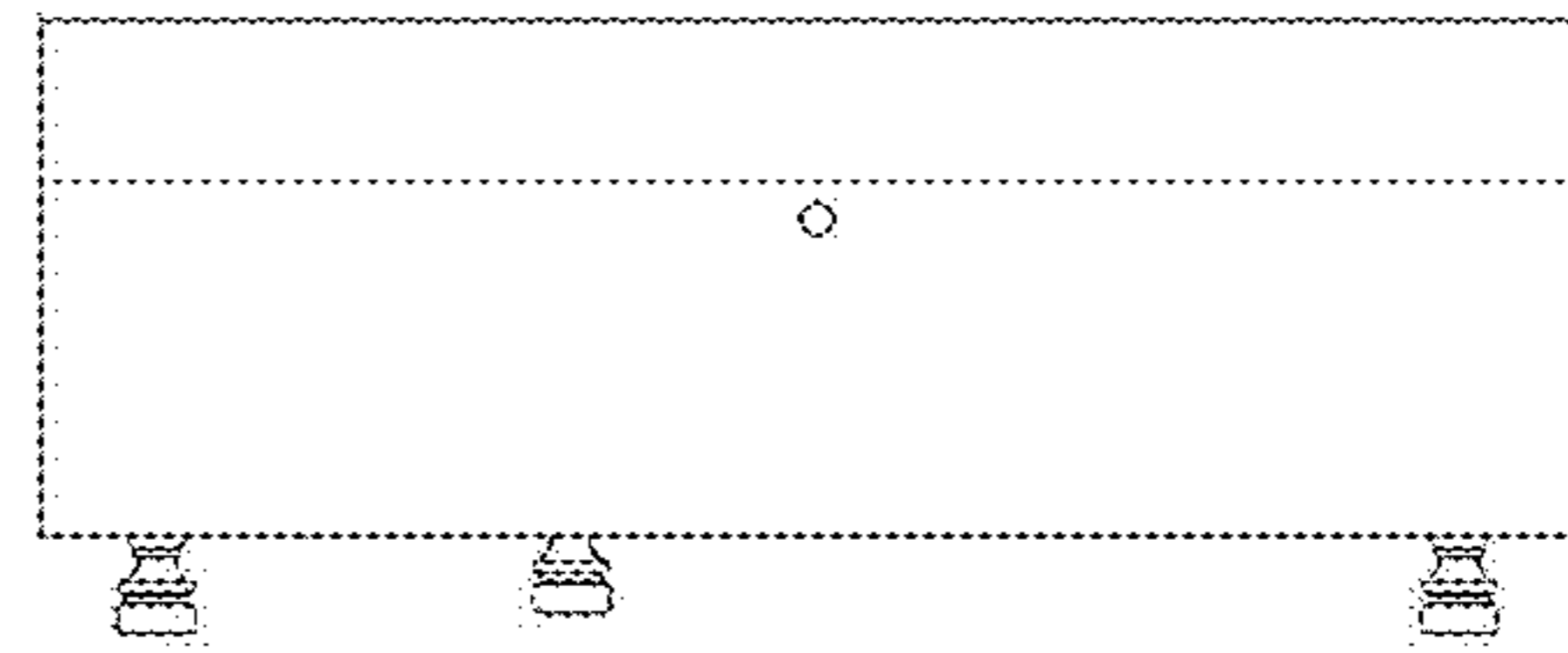


Fig. 4

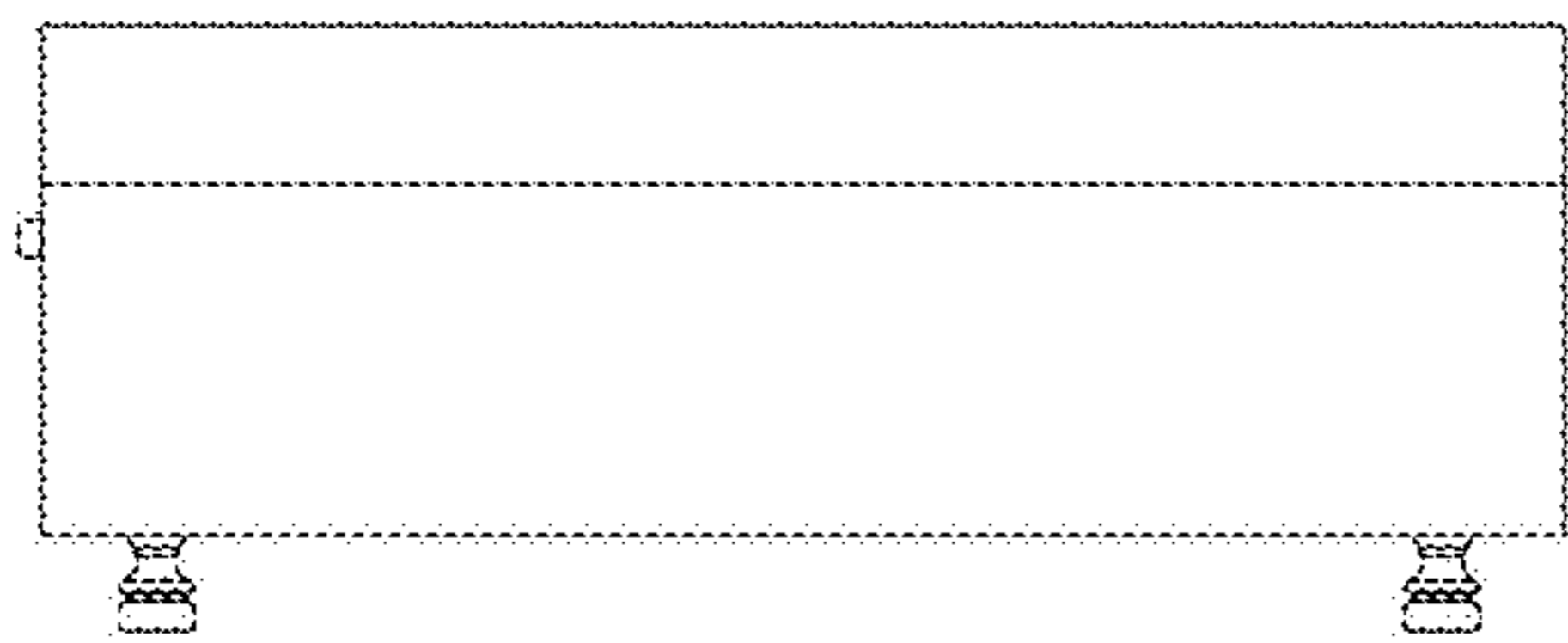


Fig. 5

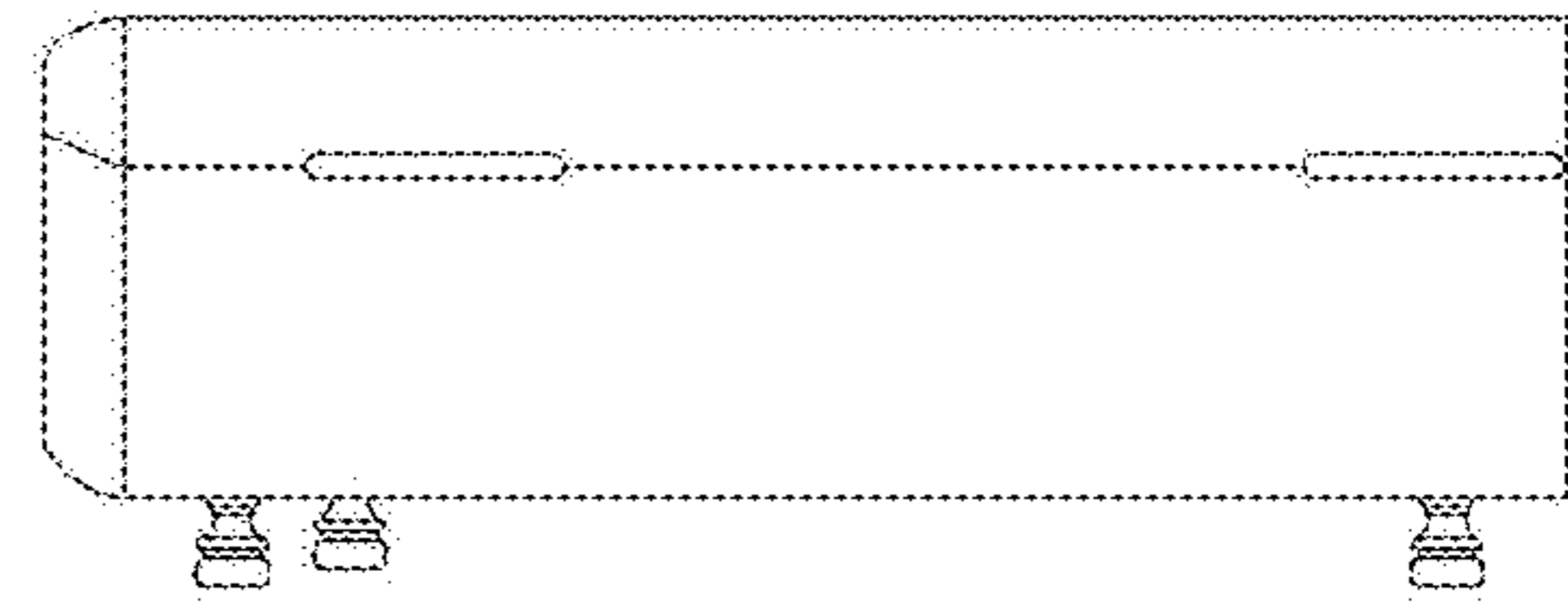


Fig. 6

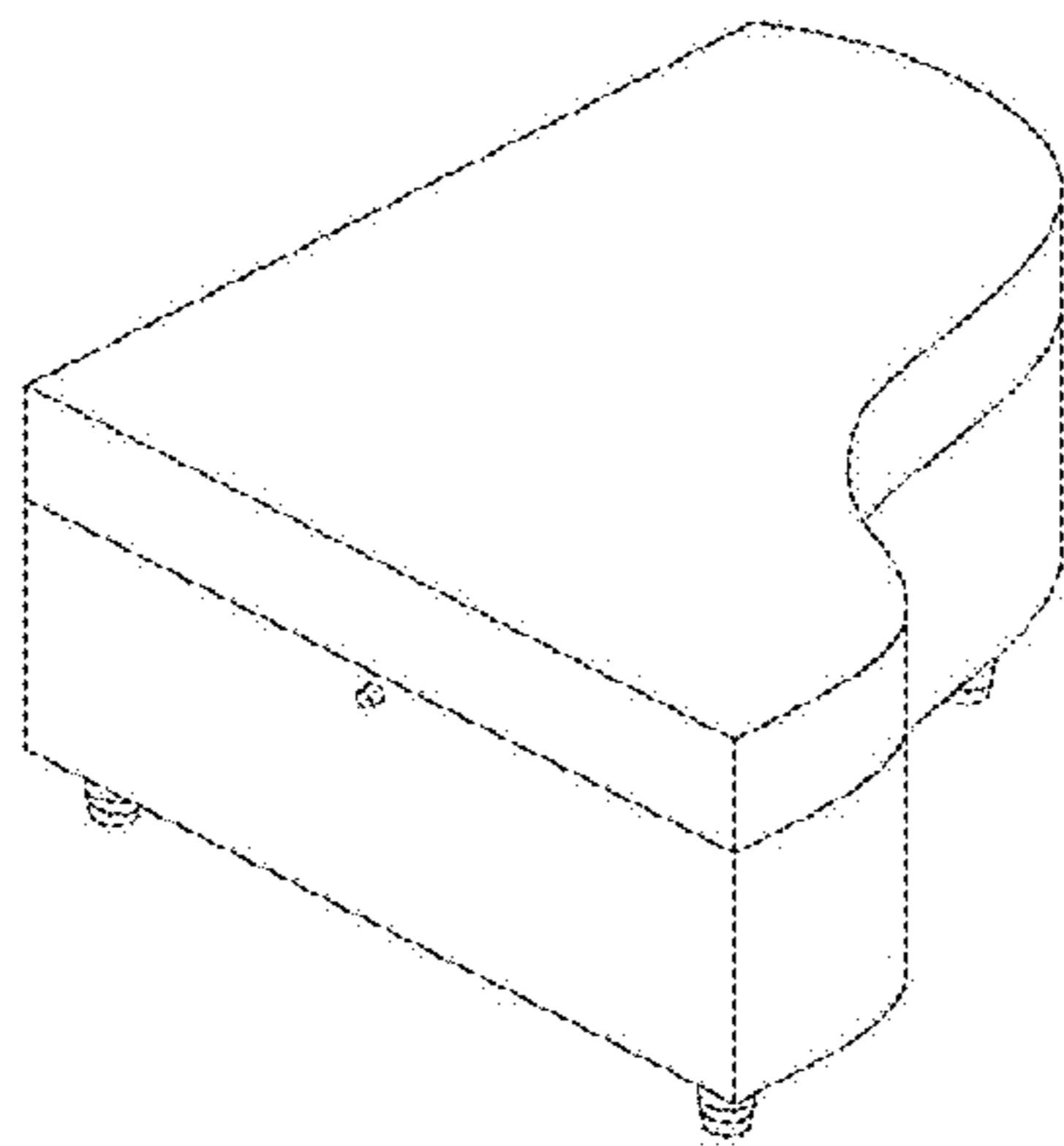


Fig. 7

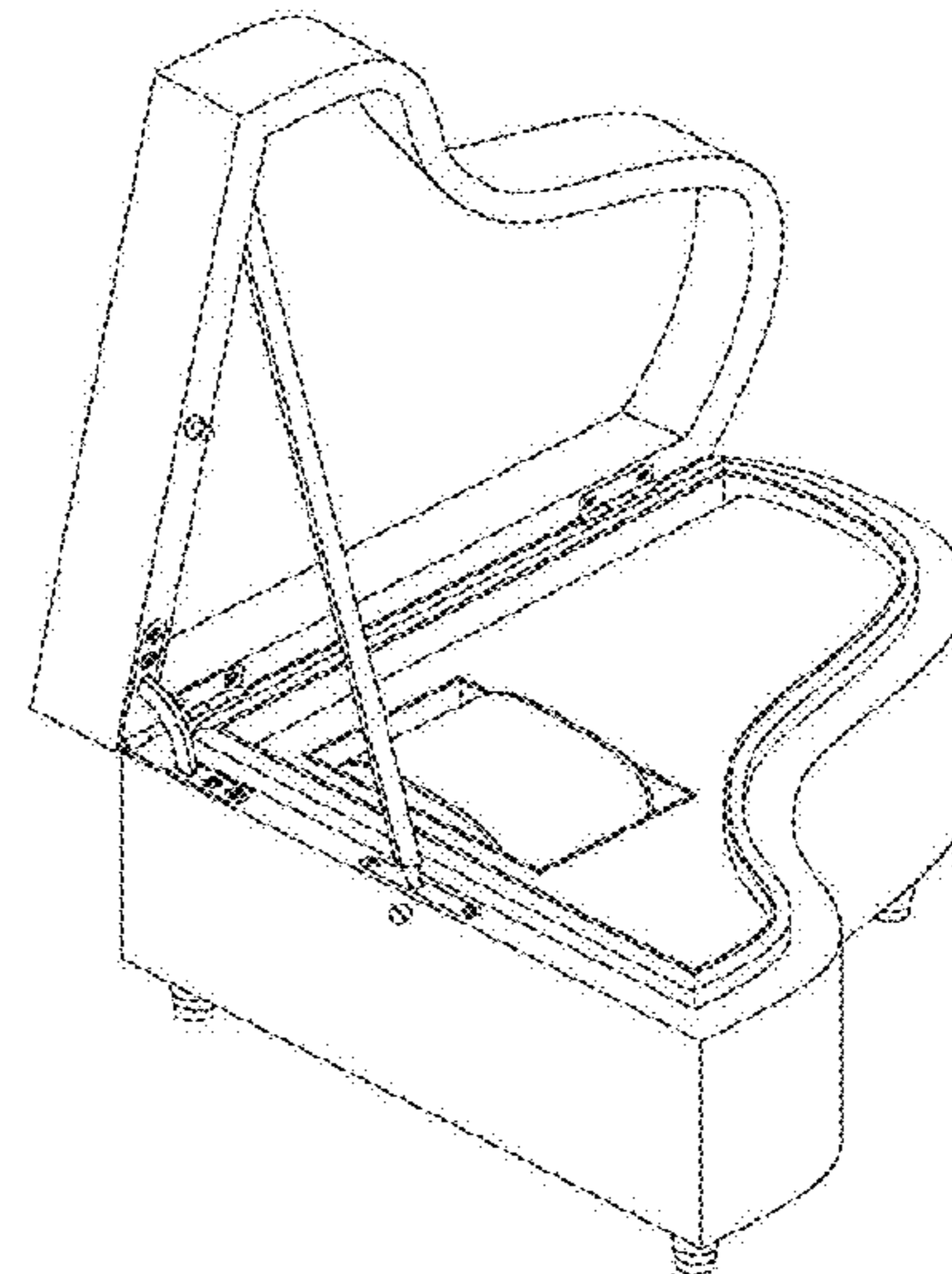


Fig. 8