



US00D631747S

(12) **United States Design Patent**  
**Gelardi et al.**

(10) **Patent No.:** **US D631,747 S**  
(45) **Date of Patent:** **\*\* Feb. 1, 2011**

(54) **TRAY ASSEMBLY FOR A DISPENSING CONTAINER**

(75) Inventors: **John A. Gelardi**, Wake Forest, NC (US);  
**Ryan A. Bailey**, Raleigh, NC (US)

(73) Assignee: **RJ Reynolds Tobacco Company**,  
Winston-Salem, NC (US)

(\*\*) Term: **14 Years**

(21) Appl. No.: **29/356,298**

(22) Filed: **Feb. 23, 2010**

(51) **LOC (9) Cl.** ..... **09-07**

(52) **U.S. Cl.** ..... **D9/456; D9/455**

(58) **Field of Classification Search** ..... D9/761,  
D9/759, 756, 708, 709, 702, 456, 455, 454,  
D9/453, 445, 443, 436, 435, 434, 439; 53/412;  
248/146; 229/120; 222/109; 220/4.23;  
219/439; 215/305; 206/529, 427; D3/304,  
D3/295

See application file for complete search history.

(56) **References Cited**

**U.S. PATENT DOCUMENTS**

- 194,197 A 8/1877 Villaret
- 2,090,530 A 8/1937 Guffy et al.
- D134,249 S \* 11/1942 Button ..... D9/761
- 3,696,917 A 10/1972 Levi
- 3,782,584 A 1/1974 Swenson et al.
- 3,895,737 A 7/1975 Phillips
- 536,923 A 3/1976 Mayled
- 4,057,145 A 11/1977 Wray et al.
- 4,154,365 A 5/1979 Lorca
- 4,284,204 A 8/1981 Carey, Jr.
- 4,437,579 A 3/1984 Obland
- 4,561,544 A 12/1985 Reeve
- 4,572,376 A 2/1986 Wrennall
- 4,611,727 A 9/1986 Graff
- 4,705,165 A 11/1987 Thieke
- D307,555 S \* 5/1990 Haenni et al. .... D9/447
- 5,108,006 A 4/1992 Tieke et al.
- 5,174,471 A 12/1992 Kozlowski et al.

- 5,275,291 A 1/1994 Sledge
- 5,657,901 A 8/1997 Farside
- 5,729,955 A \* 3/1998 Yamada ..... 53/412
- D393,591 S \* 4/1998 Baryshyan ..... D9/756
- 5,782,359 A 7/1998 McAllister et al.
- 5,816,441 A 10/1998 Farside
- 5,897,025 A 4/1999 Flewitt et al.
- 5,909,822 A 6/1999 George et al.
- 5,915,560 A 6/1999 George et al.
- 6,131,765 A 10/2000 Barry et al.
- 6,155,454 A 12/2000 George et al.
- D444,058 S \* 6/2001 Hampshire et al. .... D9/761

(Continued)

**FOREIGN PATENT DOCUMENTS**

CH 180218 A 10/1935

(Continued)

*Primary Examiner*—Susan Bennett Hattan  
(74) *Attorney, Agent, or Firm*—Womble Carlyle Sandridge & Rice, PLLC

(57) **CLAIM**

The ornamental design for a tray assembly for a dispensing container, as shown and described.

**DESCRIPTION**

FIG. 1 is a top front perspective view of a tray assembly for a dispensing container in accordance with the present design, the tray assembly having an opaque cover portion;

FIG. 2 is a top rear perspective view thereof;

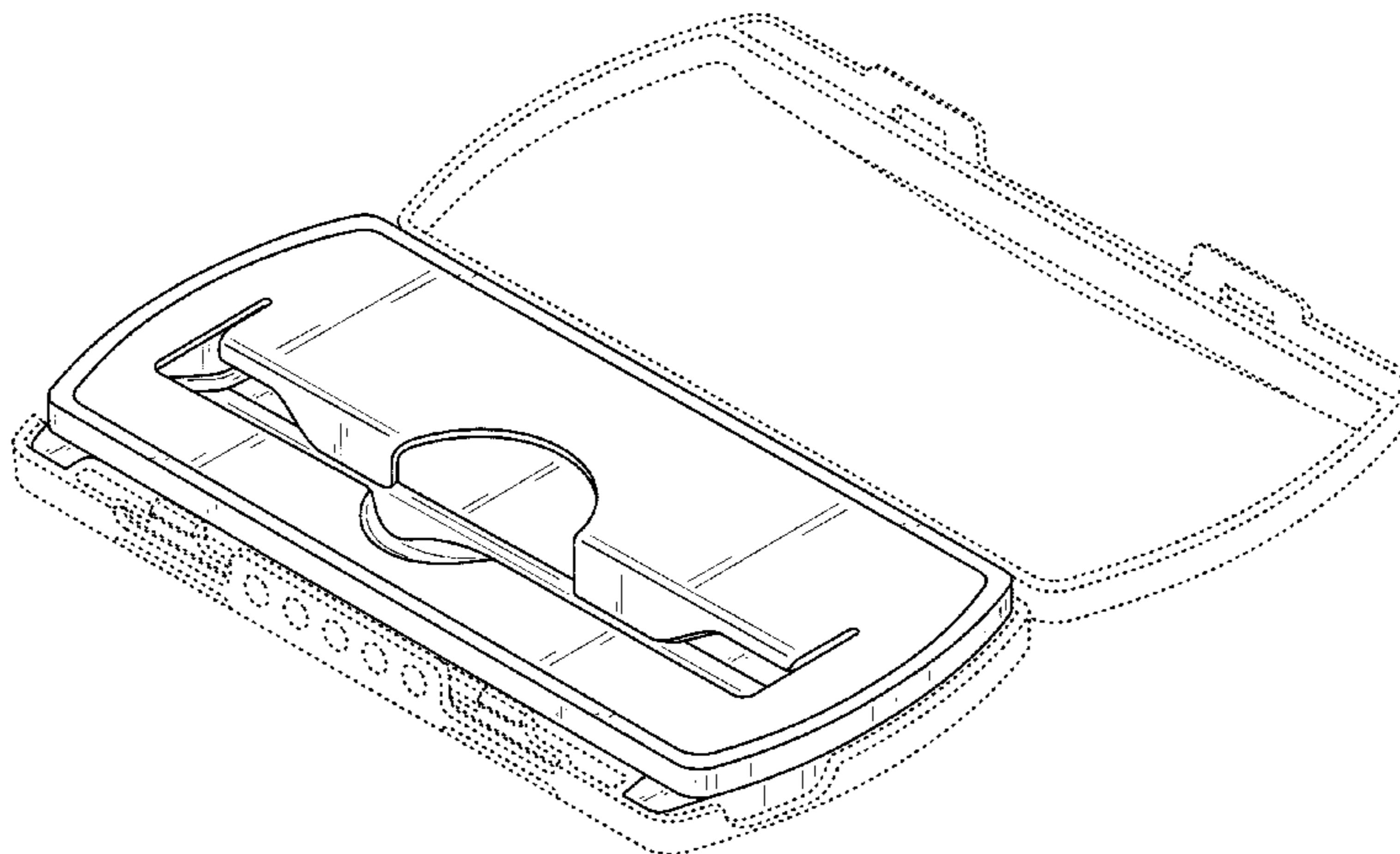
FIG. 3 is a top plan view thereof;

FIG. 4 is an exploded front view thereof; and,

FIG. 5 is an exploded rear view thereof.

The broken lines shown herein depict environmental subject matter only and form no part of the claimed design.

**1 Claim, 5 Drawing Sheets**



# US D631,747 S

Page 2

## U.S. PATENT DOCUMENTS

6,267,265 B1 7/2001 Issa  
6,460,693 B1 10/2002 Harrold  
6,527,138 B2 3/2003 Pawlo et al.  
6,758,338 B2 7/2004 Lien  
D495,545 S \* 9/2004 Niehues ..... D6/518  
6,863,175 B2 3/2005 Gelardi  
6,913,149 B2 7/2005 Gelardi et al.  
6,976,576 B2 12/2005 Intini  
D531,499 S \* 11/2006 Zaidman ..... D9/434  
7,159,720 B2 1/2007 Pearson  
7,216,776 B2 5/2007 Gelardi  
7,288,745 B2 \* 10/2007 Colonna ..... 219/439  
7,353,969 B2 4/2008 McHutchinson  
D572,588 S \* 7/2008 Osborn et al. .... D9/456  
D589,798 S \* 4/2009 Liipola ..... D9/456  
7,565,969 B2 7/2009 He  
7,588,149 B2 9/2009 Gelardi  
D608,593 S \* 1/2010 Follansbee et al. .... D7/553.5  
7,712,630 B2 5/2010 He  
2002/0096517 A1 \* 7/2002 Gelardi ..... 220/4.23  
2002/0175195 A1 11/2002 Cole  
2004/0217024 A1 11/2004 Arnarp et al.  
2005/0173272 A1 8/2005 Lemmons, IV  
2006/0060480 A1 3/2006 Budd  
2006/0118589 A1 6/2006 Arnarp et al.

2006/0124658 A1 6/2006 Coe et al.  
2006/0243611 A1 11/2006 Wu  
2007/0068960 A1 3/2007 Valentine et al.  
2007/0163911 A1 7/2007 Gelardi  
2007/0277299 A1 12/2007 Kroon  
2008/0029110 A1 2/2008 Dube et al.  
2008/0029116 A1 2/2008 Robinson et al.  
2008/0035643 A1 2/2008 Hoffman  
2009/0223989 A1 9/2009 Gelardi  
2009/0266837 A1 10/2009 Gelardi et al.  
2010/0133140 A1 6/2010 Bailey et al.  
2010/0264157 A1 10/2010 Bailey et al.

## FOREIGN PATENT DOCUMENTS

GB 686 870 2/1953  
GB 2 042 476 9/1980  
WO WO 1999/48391 A 9/1999  
WO WO 2004/035404 A1 4/2004  
WO WO 2005/016036 A1 2/2005  
WO WO 2005/030606 A1 4/2005  
WO WO 2005/035390 A1 4/2005  
WO WO 2007/017761 A2 2/2007  
WO WO 2007/067953 A2 6/2007  
WO WO 2007/070867 A2 6/2007  
WO WO 2008/070032 A2 6/2008

\* cited by examiner

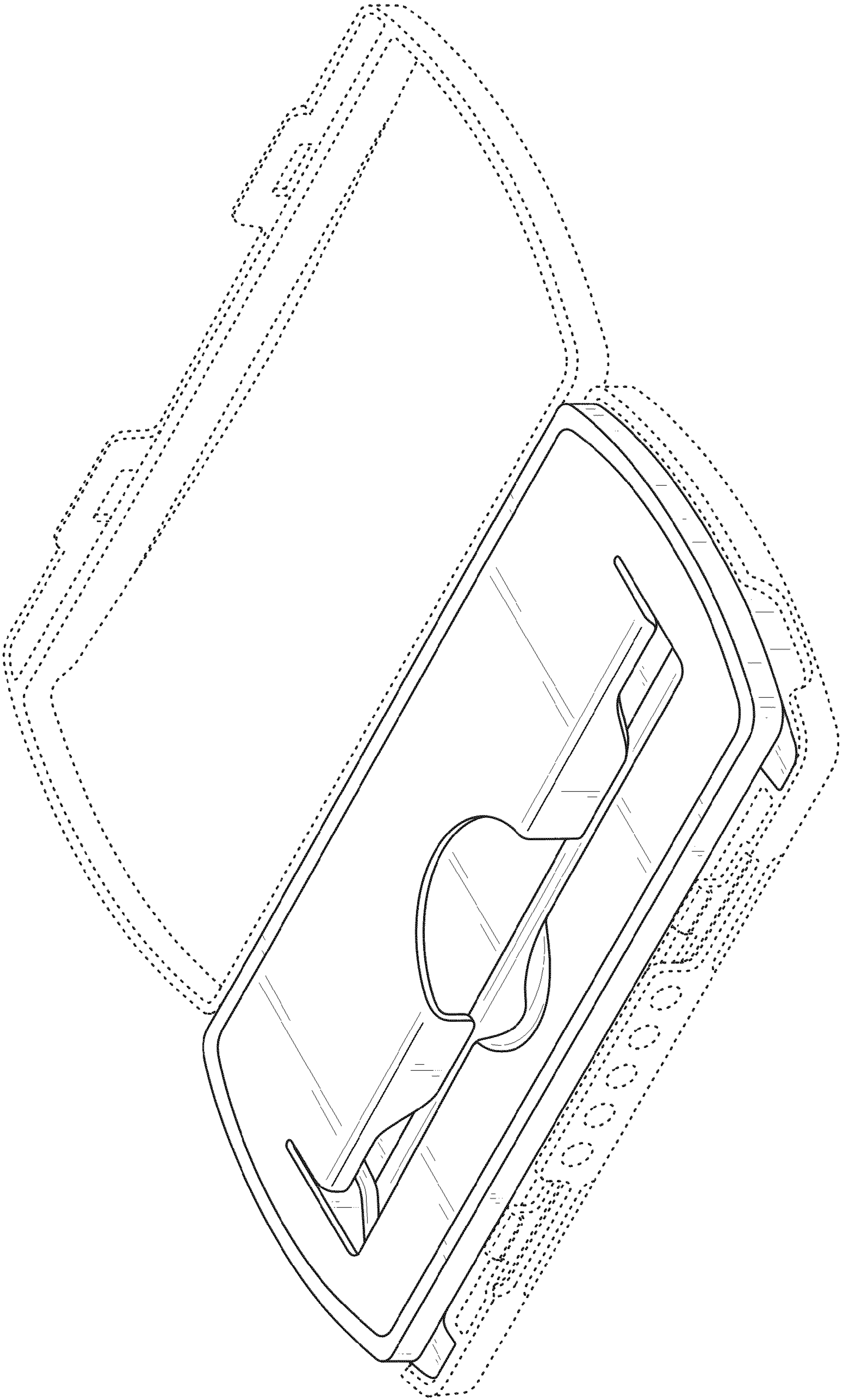


FIG. 1

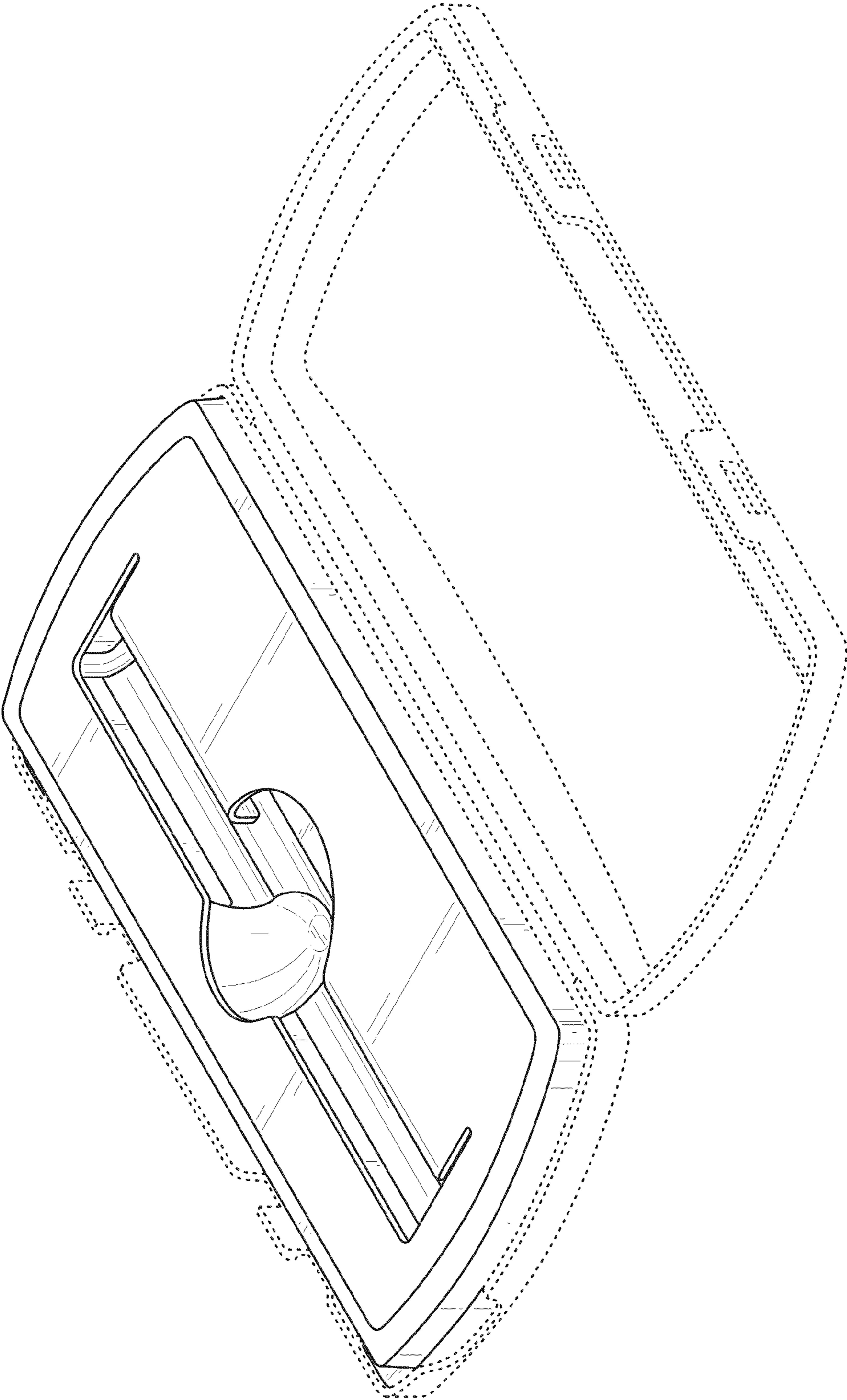


FIG. 2

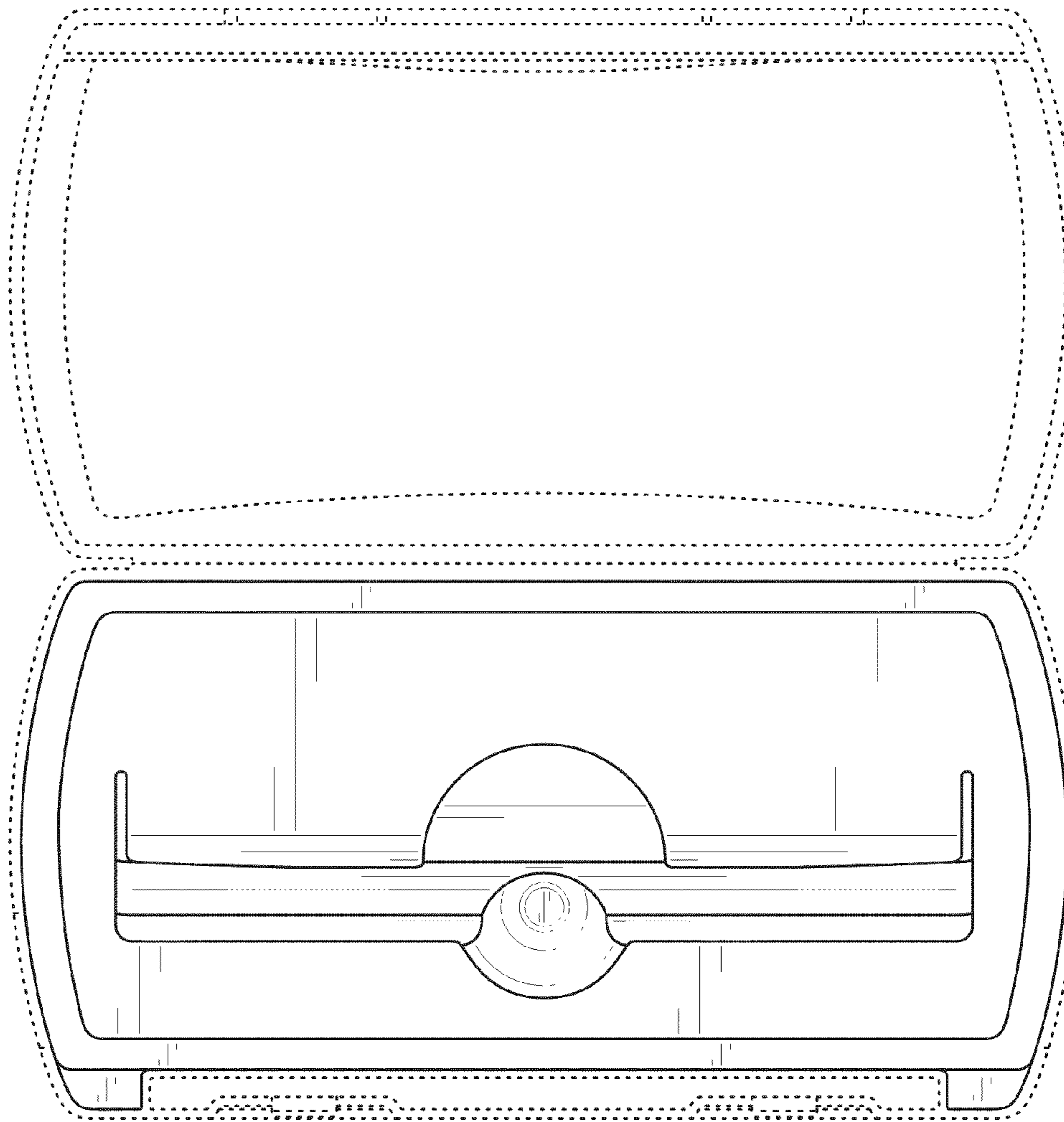


FIG. 3

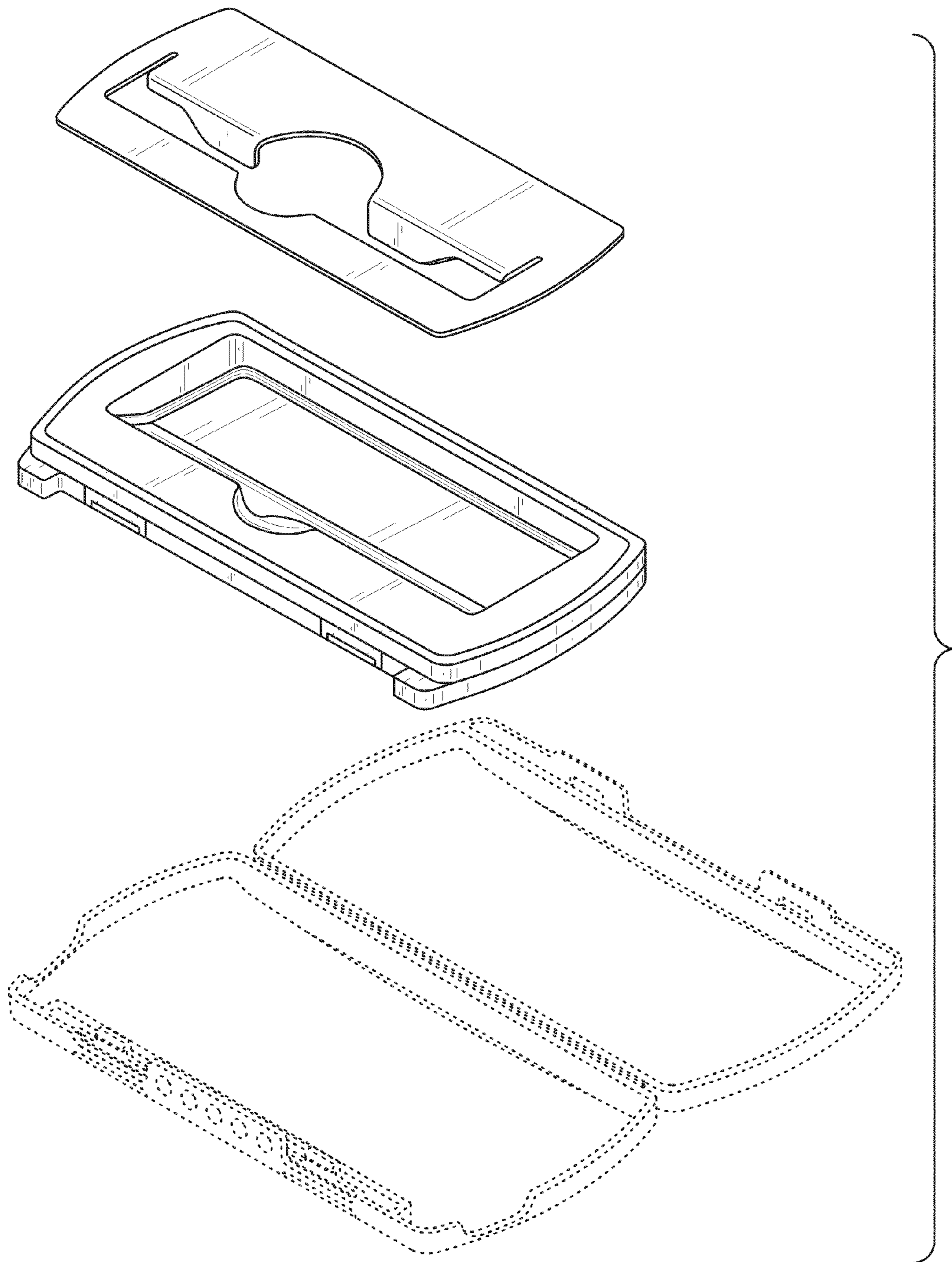


FIG. 4

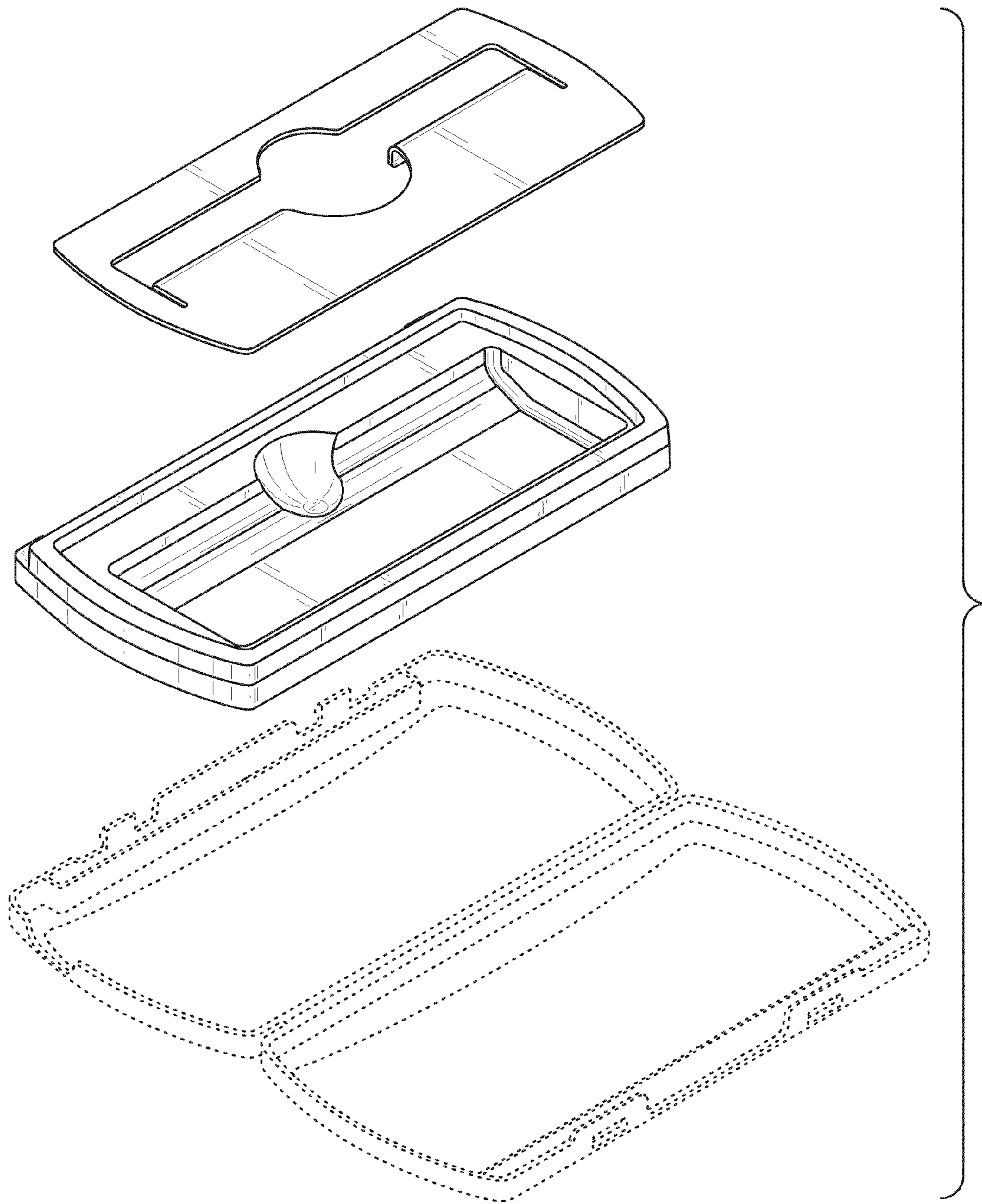


FIG. 5