



US00D631746S

(12) **United States Design Patent**
Luburic

(10) **Patent No.:** **US D631,746 S**
(45) **Date of Patent:** **** Feb. 1, 2011**

(54) **CONTAINER WITH LID**

(75) Inventor: **Frano Luburic**, Fountain Valley, CA
(US)

(73) Assignee: **Ropak Corporation**, Fountain Valley,
CA (US)

(**) Term: **14 Years**

(21) Appl. No.: **29/367,850**

(22) Filed: **Aug. 13, 2010**

Related U.S. Application Data

(63) Continuation-in-part of application No. 11/788,938,
filed on Apr. 23, 2007, now Pat. No. 7,784,633.

(51) **LOC (9) Cl.** **09-07**

(52) **U.S. Cl.** **D9/443**

(58) **Field of Classification Search** D9/761,
D9/760, 759, 756, 709, 708, 702, 456, 455,
D9/454, 453, 445, 443, 439, 438, 436, 435,
D9/434; D7/369.2, 392.1; 222/109; 220/793,
220/4.23, 285, 266, 254.8, 212; 219/439;
215/334, 329, 305, 302, 216, 201; 206/814,
206/539, 485, 427, 308.1

See application file for complete search history.

(56) **References Cited**

U.S. PATENT DOCUMENTS

812,257	A *	2/1906	Booth	215/302
1,084,093	A *	1/1914	Lindholm	220/285
3,128,004	A *	4/1964	Soffer	220/285
3,661,292	A *	5/1972	Chappell	220/285
3,744,655	A *	7/1973	Nixdorff, Jr.	215/216
4,165,014	A *	8/1979	Ruscitti	220/266

D329,809	S *	9/1992	Bloomfield	D9/443
5,297,688	A *	3/1994	Beck et al.	215/344
5,836,466	A *	11/1998	Briere et al.	215/216
D421,909	S *	3/2000	Opresco	D9/443
6,644,492	B1 *	11/2003	Mitchell	220/285
6,763,960	B2 *	7/2004	Oh	215/201
D554,503	S *	11/2007	Kerman et al.	D9/438
7,784,633	B2 *	8/2010	Luburic	220/285
2008/0257886	A1 *	10/2008	Luburic	220/285

OTHER PUBLICATIONS

Photographs of a container representative of a container sold as early as Jul. 2009.

* cited by examiner

Primary Examiner—Susan Bennett Hattan

(74) *Attorney, Agent, or Firm*—Vedder Price P.C.

(57) **CLAIM**

The ornamental design for container with lid, as shown and described.

DESCRIPTION

FIG. 1 is a top, front, left side perspective view of a container with lid showing my new design.

FIG. 2 is a front elevation view thereof.

FIG. 3 is a back elevation view thereof.

FIG. 4 is a right side elevation view thereof.

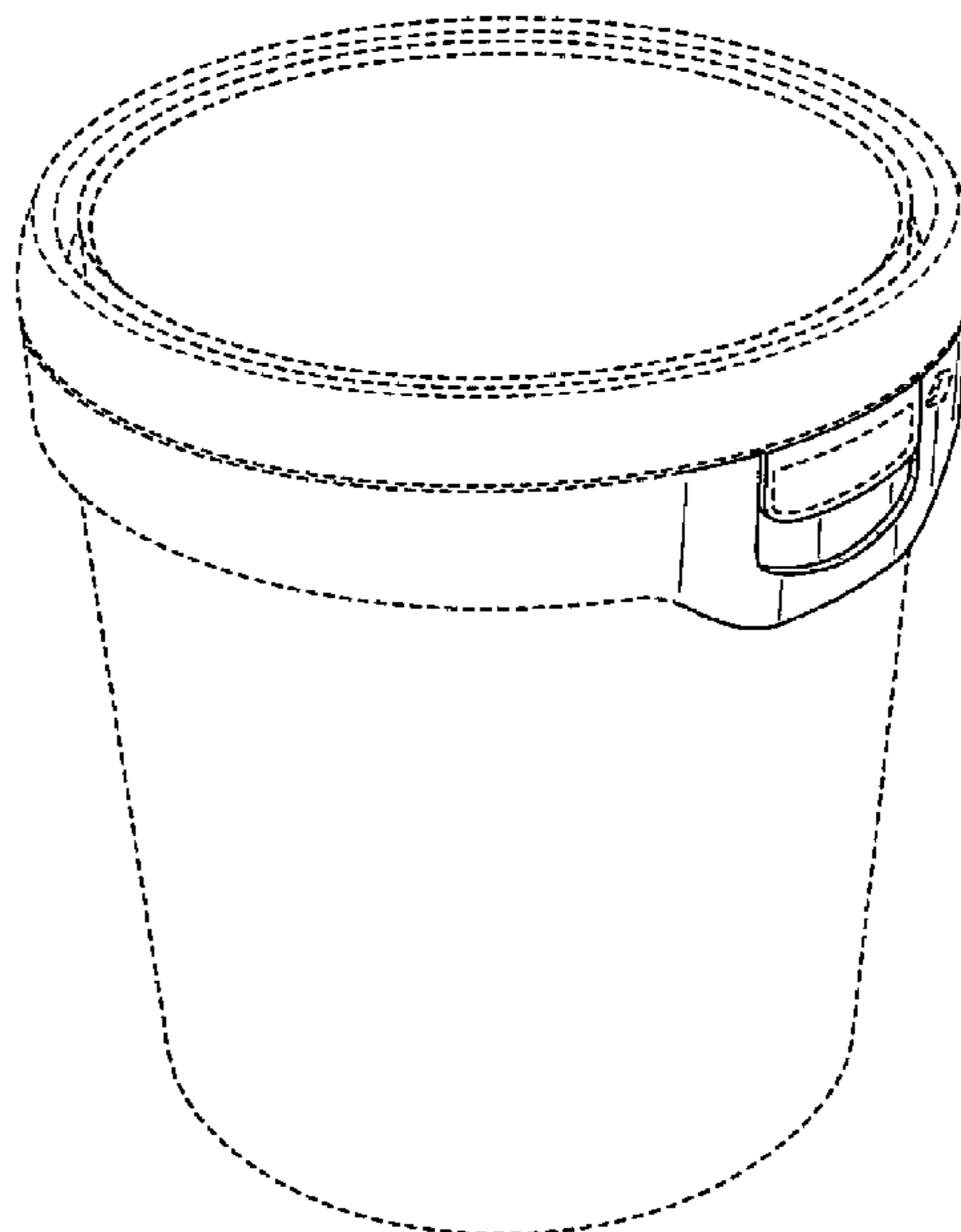
FIG. 5 is a left side elevation view thereof.

FIG. 6 is a top plan view thereof; and,

FIG. 7 is a bottom plan view thereof.

The broken lines shown in the drawings are for environmental purposes only and form no part of the claimed design.

1 Claim, 7 Drawing Sheets



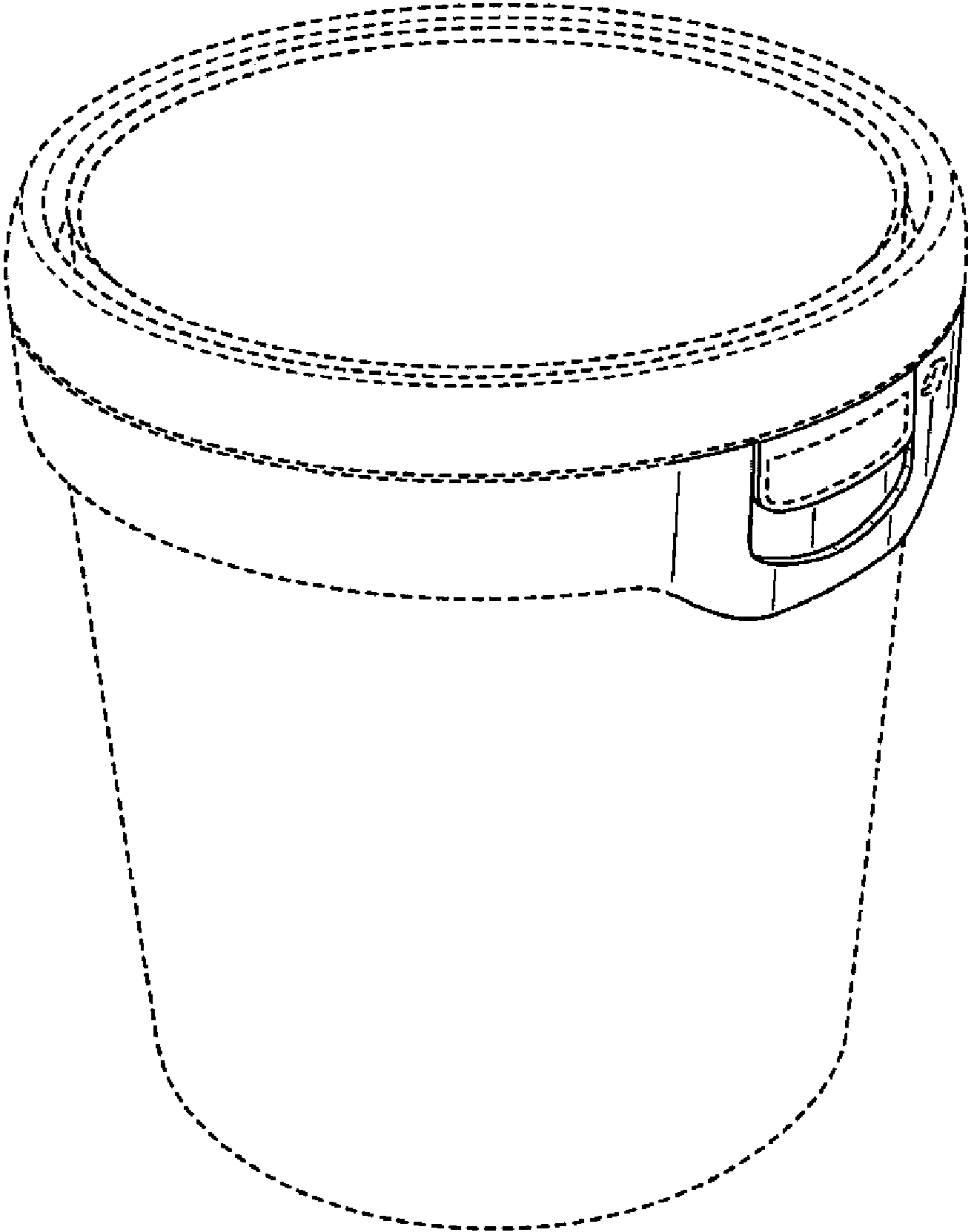


FIG. 1

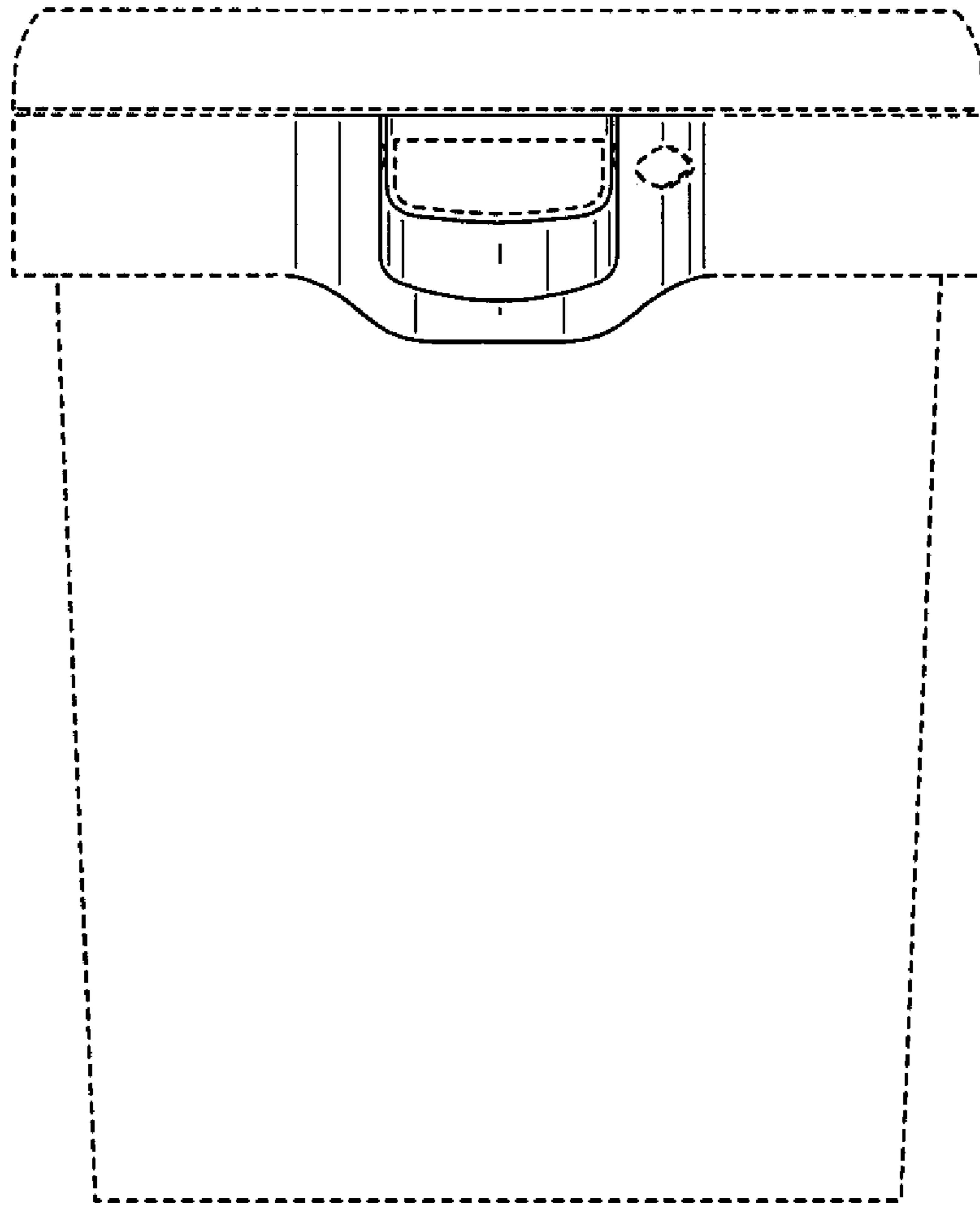


FIG. 2

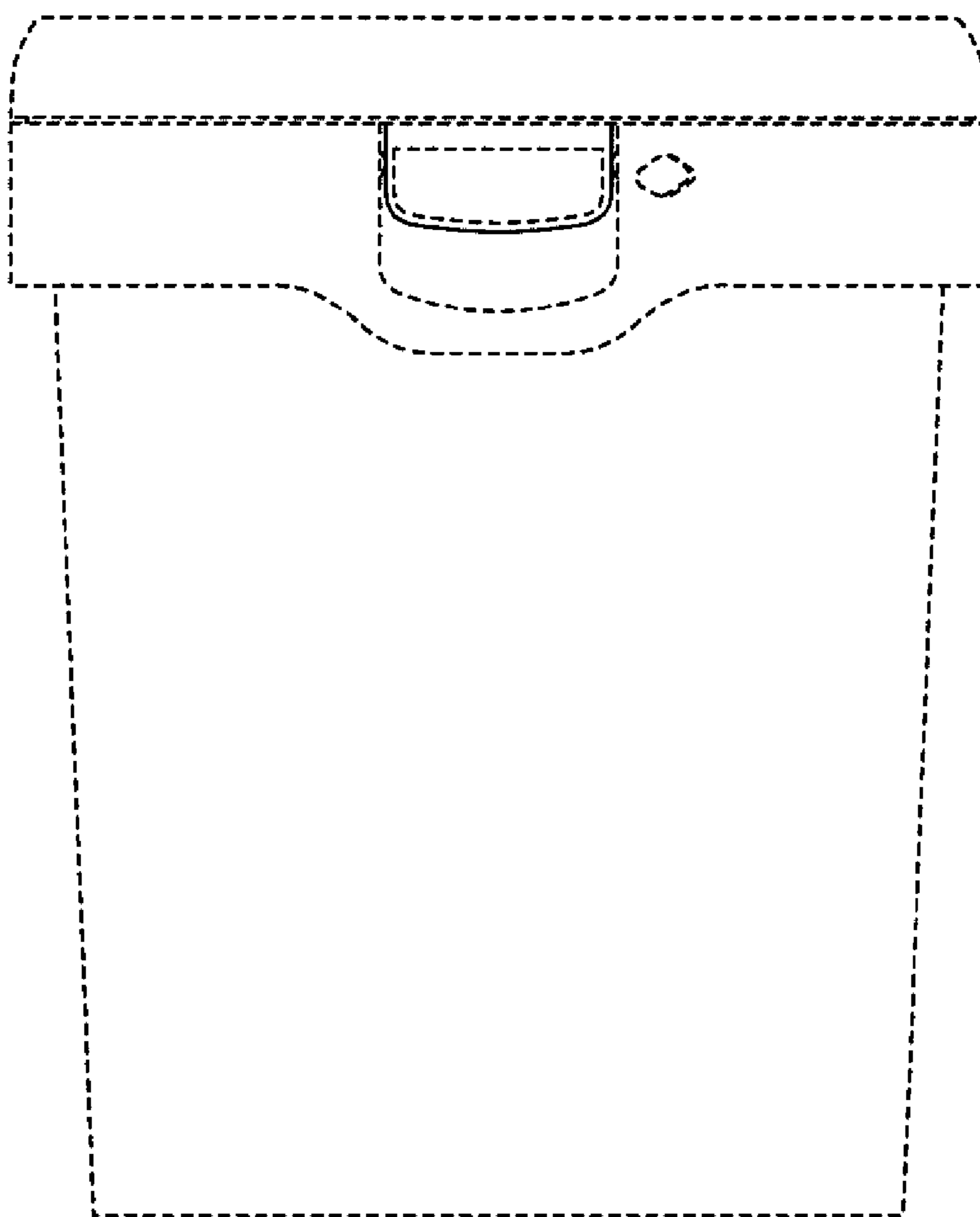


FIG. 3

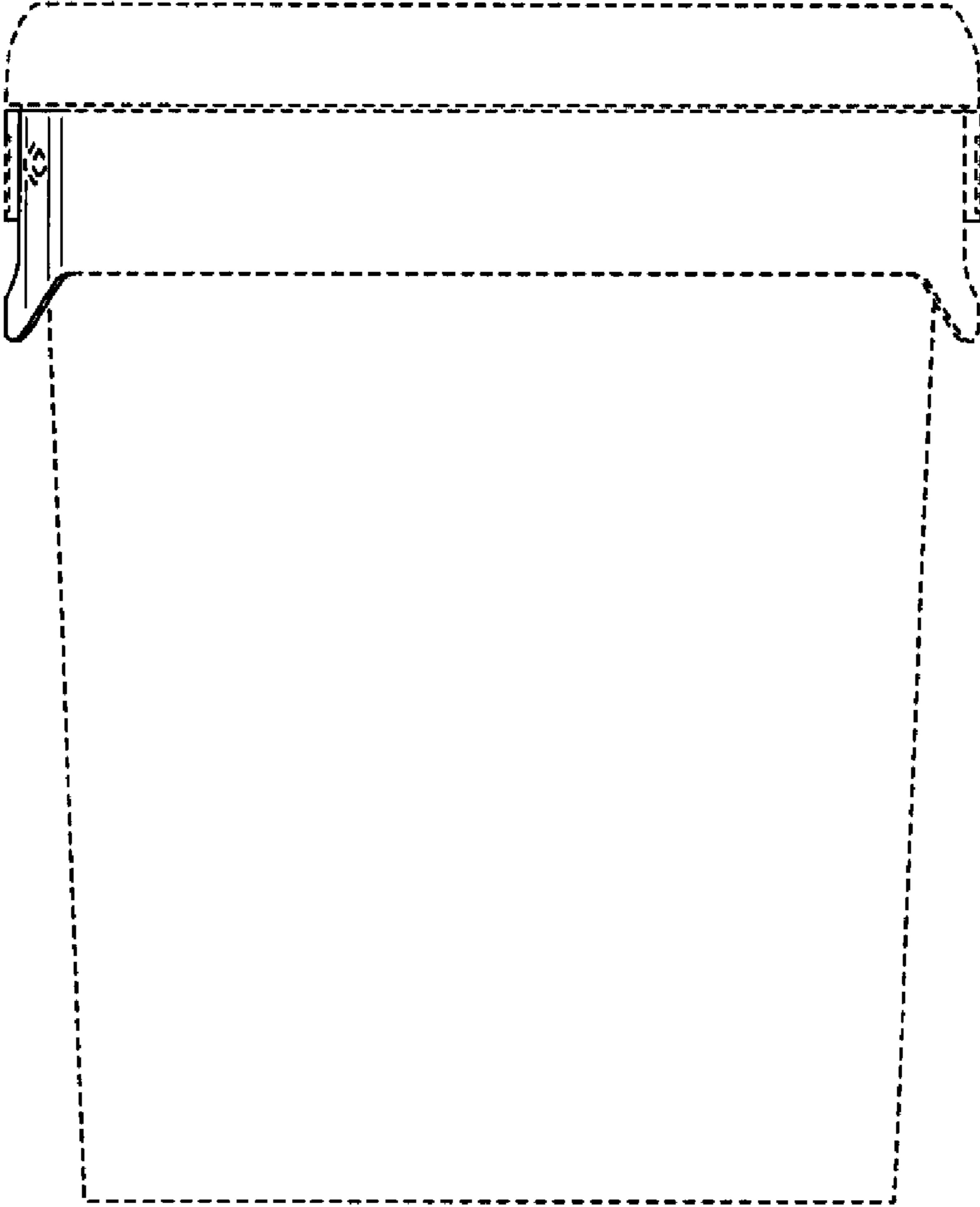


FIG. 4

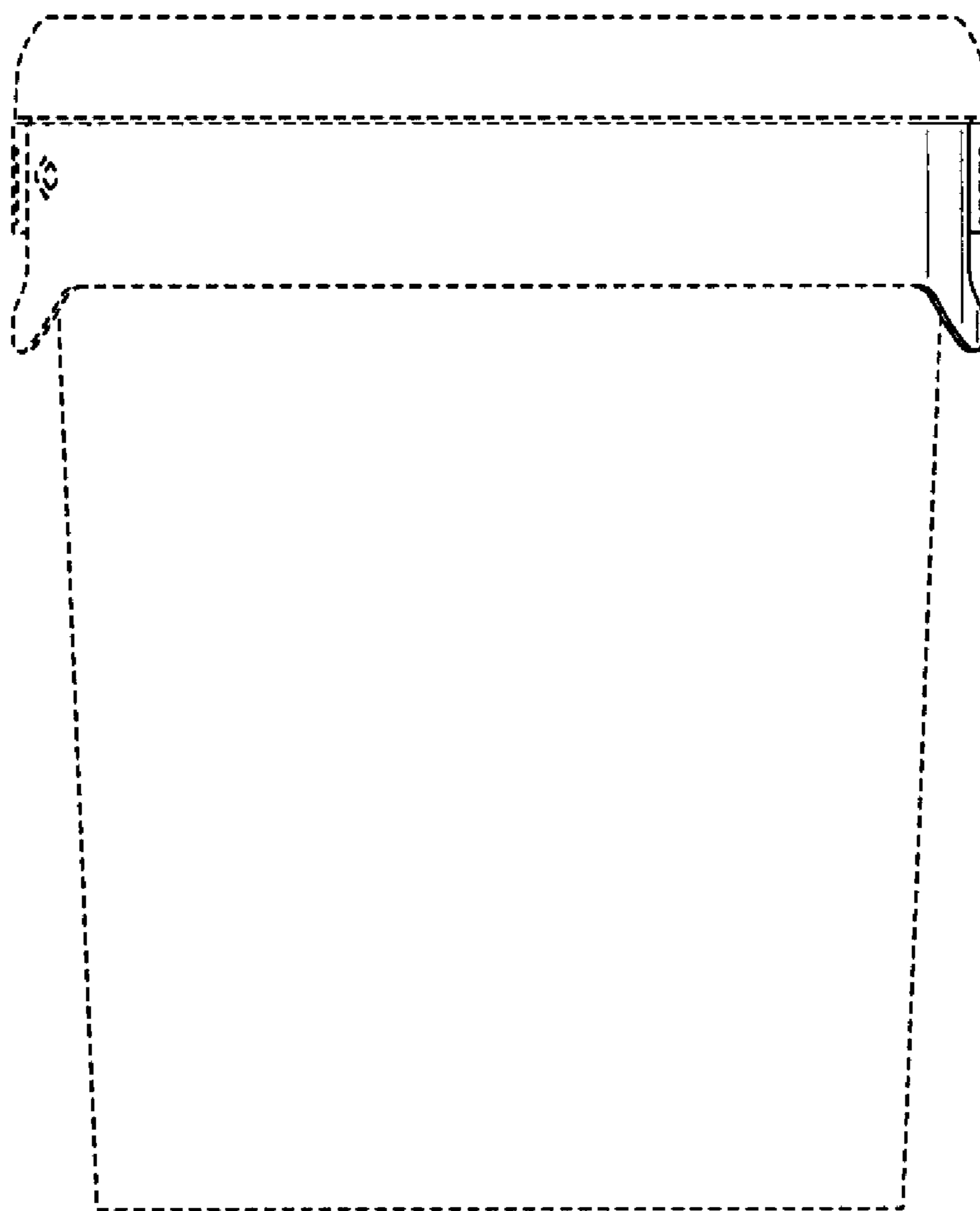


FIG. 5

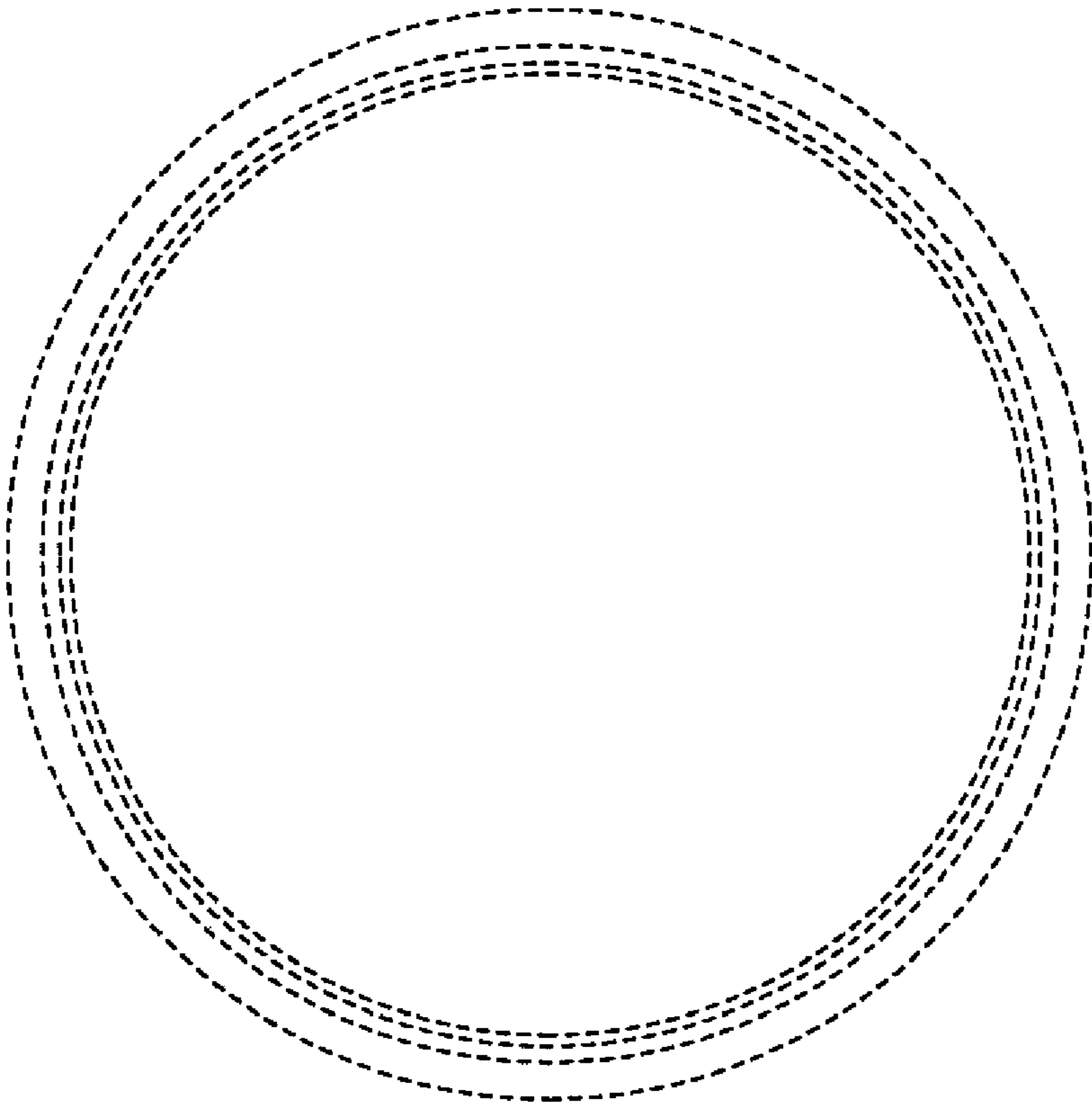


FIG. 6

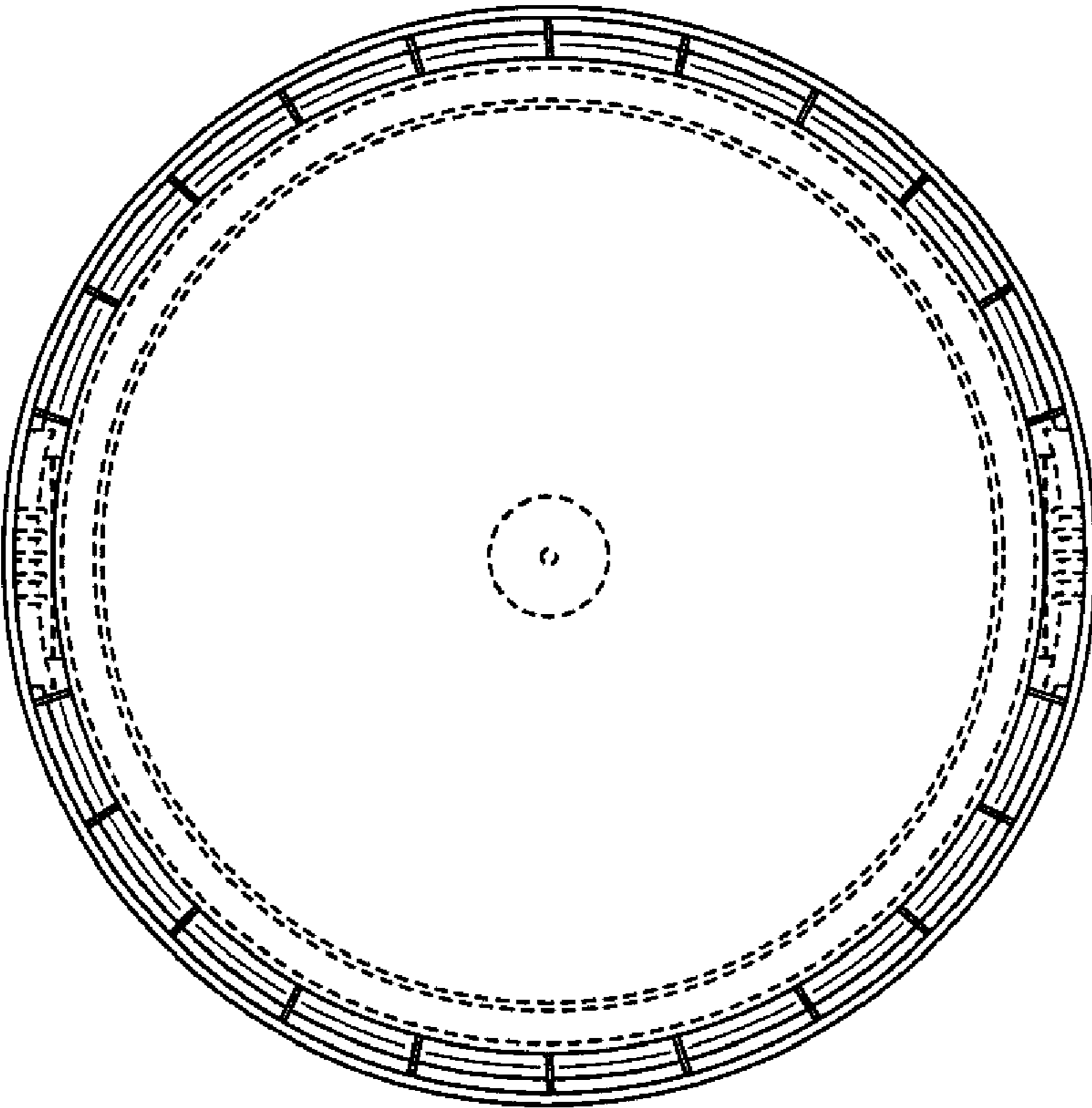


FIG. 7