



US00D631745S

(12) **United States Design Patent**  
**Lawrence et al.**

(10) **Patent No.:** **US D631,745 S**  
(45) **Date of Patent:** **\*\* Feb. 1, 2011**

(54) **LID**  
(75) Inventors: **Gary W. Lawrence**, Villa Park, IL (US);  
**Roman Forowycz**, Lake Forest, IL (US)  
(73) Assignee: **Clear Lam Packaging, Inc.**, Elk Grove  
Village, IL (US)

D272,971 S 3/1984 Tallon  
D275,165 S 8/1984 Grusin  
D279,952 S 8/1985 Daenen et al.  
D280,964 S 10/1985 Wolff  
D281,048 S 10/1985 Wolff  
D281,229 S 11/1985 Tyler  
D282,808 S 3/1986 Daenen et al.  
D283,481 S 4/1986 Schmidt

(\*\*) Term: **14 Years**  
(21) Appl. No.: **29/357,640**

(22) Filed: **Mar. 15, 2010**

(51) **LOC (9) Cl.** ..... **09-07**  
(52) **U.S. Cl.** ..... **D9/435**  
(58) **Field of Classification Search** ..... D9/424,  
D9/425, 431, 432, 434, 435, 436, 438, 455,  
D9/456, 444, 445, 443; D7/392.1, 629, 391,  
D7/607, 608, 622, 624.2, 624.3; 220/780,  
220/256, 901, 802, 796, 784, 781; 215/352,  
215/328, 256, 253, 252, 243, 237, 228, 223  
See application file for complete search history.

(Continued)

**OTHER PUBLICATIONS**

U.S. Appl. No. 29/357,639, filed Mar. 15, 2010, Lawrence et al.

(Continued)

*Primary Examiner*—Robert M Spear  
*Assistant Examiner*—Rashida C McCoy

(56) **References Cited**

(57) **CLAIM**

The ornamental design for a lid, as shown and described.

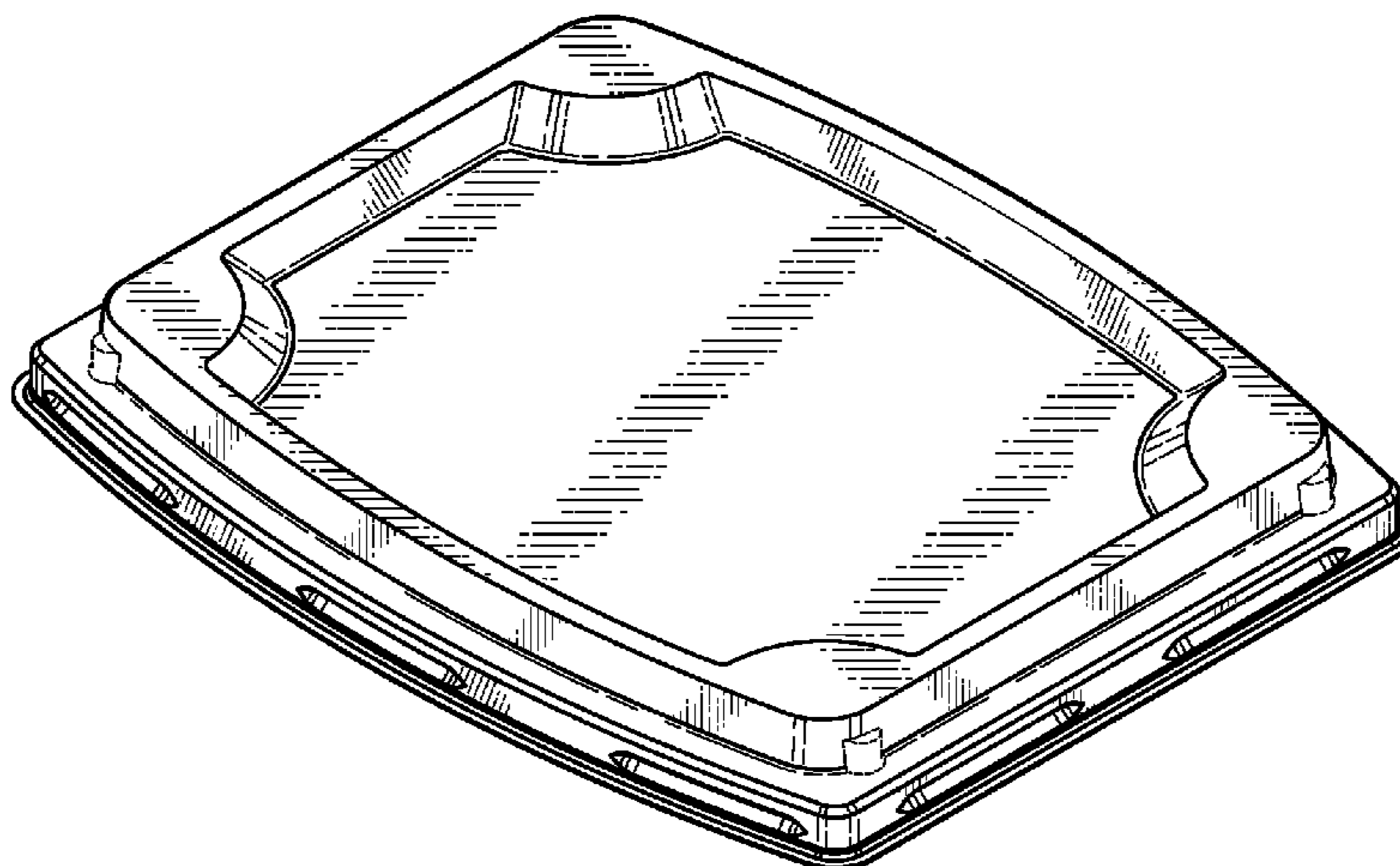
**U.S. PATENT DOCUMENTS**

**DESCRIPTION**

D3,357 S \* 2/1869 Pratt ..... D9/434  
D3,358 S \* 2/1869 Pratt ..... D9/434  
D117,714 S \* 11/1939 Guttman ..... D9/455  
D170,104 S \* 7/1953 Zabel ..... D9/443  
D205,868 S 9/1966 Immermann et al.  
D205,968 S 10/1966 Bostrom  
3,384,263 A \* 5/1968 Bernstein ..... 206/519  
3,394,861 A 7/1968 Truax  
D212,593 S 11/1968 Collie  
D212,594 S 11/1968 Collie  
3,424,342 A 1/1969 Scopp et al.  
D213,310 S 2/1969 Collie  
3,589,554 A 6/1971 Smith  
D229,916 S \* 1/1974 Schnelder ..... D7/542  
D232,703 S \* 9/1974 Kouzi ..... D9/424  
3,863,832 A 2/1975 Gordon et al.  
D267,703 S \* 1/1983 Chase et al. .... D9/435

FIG. 1 is a top perspective view of a lid, showing our new design;  
FIG. 2 is a bottom perspective view of the lid;  
FIG. 3 is a top view of the lid;  
FIG. 4 is a bottom view of the lid;  
FIG. 5 is a left side view of the lid;  
FIG. 6 is a right side view of the lid in an inverted state;  
FIG. 7 is a front side view of the lid in an inverted state; and,  
FIG. 8 is a back side view of the lid in an inverted state.

**1 Claim, 5 Drawing Sheets**



# US D631,745 S

Page 2

## U.S. PATENT DOCUMENTS

D284,253 S	6/1986	Carlson		D446,085 S	8/2001	Dretzka	
D284,254 S	6/1986	Carlson		D446,117 S *	8/2001	Conti .....	D9/435
D285,906 S *	9/1986	Tyler .....	D9/425	D449,495 S	10/2001	Tucker et al.	
D286,729 S	11/1986	Tzifkansky et al.		D455,321 S	4/2002	Jung et al.	
D287,573 S *	1/1987	Tyler .....	D9/435	D458,085 S	6/2002	Kim	
D289,719 S *	5/1987	Daenen et al. ....	D7/392.1	D467,128 S	12/2002	Thonis et al.	
4,700,842 A	10/1987	Grusin		D469,314 S	1/2003	Thonis et al.	
4,787,527 A	11/1988	Monetti		D469,665 S	2/2003	Pettaweebuncha	
4,819,824 A	4/1989	Longbottom et al.		D479,401 S	9/2003	Claypool	
4,976,370 A	12/1990	Cassel		D479,442 S	9/2003	Bergas	
D317,569 S	6/1991	Lane, Sr.		D479,673 S	9/2003	Kim	
D325,847 S	5/1992	Wolff		D479,954 S	9/2003	Kim	
D330,490 S	10/1992	Turner		D480,929 S	10/2003	Douglas	
D330,830 S	11/1992	Baranyai et al.		D481,910 S	11/2003	Kim	
D330,996 S	11/1992	Smith et al.		D483,622 S	12/2003	Kim	
D332,204 S	1/1993	Carlson		D484,367 S	12/2003	Kim	
D334,114 S	3/1993	Narsutis		D490,278 S	5/2004	Welsh	
D348,394 S	7/1994	Dreyer		D496,560 S	9/2004	Lerner	
D348,805 S	7/1994	Cautereels		D505,840 S	6/2005	Schultz et al.	
D350,880 S	9/1994	VanValkenburg et al.		D509,111 S	9/2005	Vovan	
D351,090 S	10/1994	Narsutis		D509,411 S	9/2005	Laib et al.	
D354,655 S *	1/1995	Daenen et al. ....	D7/392.1	D509,995 S	9/2005	Laib et al.	
D357,161 S	4/1995	Booten		D511,942 S	11/2005	Laib et al.	
5,409,126 A	4/1995	DeMars		D513,376 S	1/2006	Shannon	
D365,251 S	12/1995	Lo		D521,812 S	5/2006	Kim	
D366,397 S	1/1996	Zimmerman		D526,857 S	8/2006	Littmann	
D367,211 S	2/1996	Cautereels		D529,798 S	10/2006	Snedden et al.	
D367,609 S	3/1996	Frank et al.		D530,198 S	10/2006	Snedden et al.	
D372,174 S	7/1996	Arduini		D533,080 S	12/2006	Darin	
D373,953 S	9/1996	Gale		D534,039 S	12/2006	Laib et al.	
D375,654 S *	11/1996	Ferris .....	D7/392.1	D536,248 S *	2/2007	Lesquir .....	D9/435
D377,739 S	2/1997	Carlson		D539,100 S	3/2007	Zhao	
D378,039 S	2/1997	Ferris		D540,192 S	4/2007	Darin	
D379,138 S	5/1997	Carlson		D541,598 S	5/2007	Kim	
D380,349 S	7/1997	Indekeu		D544,762 S	6/2007	Zimmerman	
D381,560 S	7/1997	Indekeu		D546,632 S	7/2007	Oberloier	
D384,247 S	9/1997	Smith et al.		D551,515 S	9/2007	Ablo et al.	
D386,042 S	11/1997	Miller		D553,444 S	10/2007	De Groote et al.	
D392,881 S	3/1998	Bulcher et al.		D557,993 S	12/2007	Stamper et al.	
D403,924 S	1/1999	Carlson		D559,042 S	1/2008	De Groote et al.	
D415,935 S	11/1999	Martinez		D562,640 S	2/2008	Tucker et al.	
D418,415 S	1/2000	Hayes et al.		D566,482 S	4/2008	Tucker et al.	
D418,716 S	1/2000	Haley		D566,484 S	4/2008	George	
D420,859 S	2/2000	Loew et al.		D571,200 S *	6/2008	Bouveret et al. ....	D9/435
D428,310 S	7/2000	Zettle et al.		D588,451 S	3/2009	Snedden et al.	
D437,685 S	2/2001	Liu					
D440,470 S	4/2001	Tucker et al.					
D443,184 S	6/2001	Maxwell et al.					
D443,798 S	6/2001	Tucker et al.					
D445,649 S	7/2001	Maxwell et al.					

## OTHER PUBLICATIONS

U.S. Appl. No. 29/357,641, filed Mar. 15, 2010, Lawrence et al.  
 U.S. Appl. No. 29/357,642, filed Mar. 15, 2010, Lawrence et al.  
 U.S. Appl. No. 29/357,643, filed Mar. 15, 2010, Lawrence et al.

\* cited by examiner

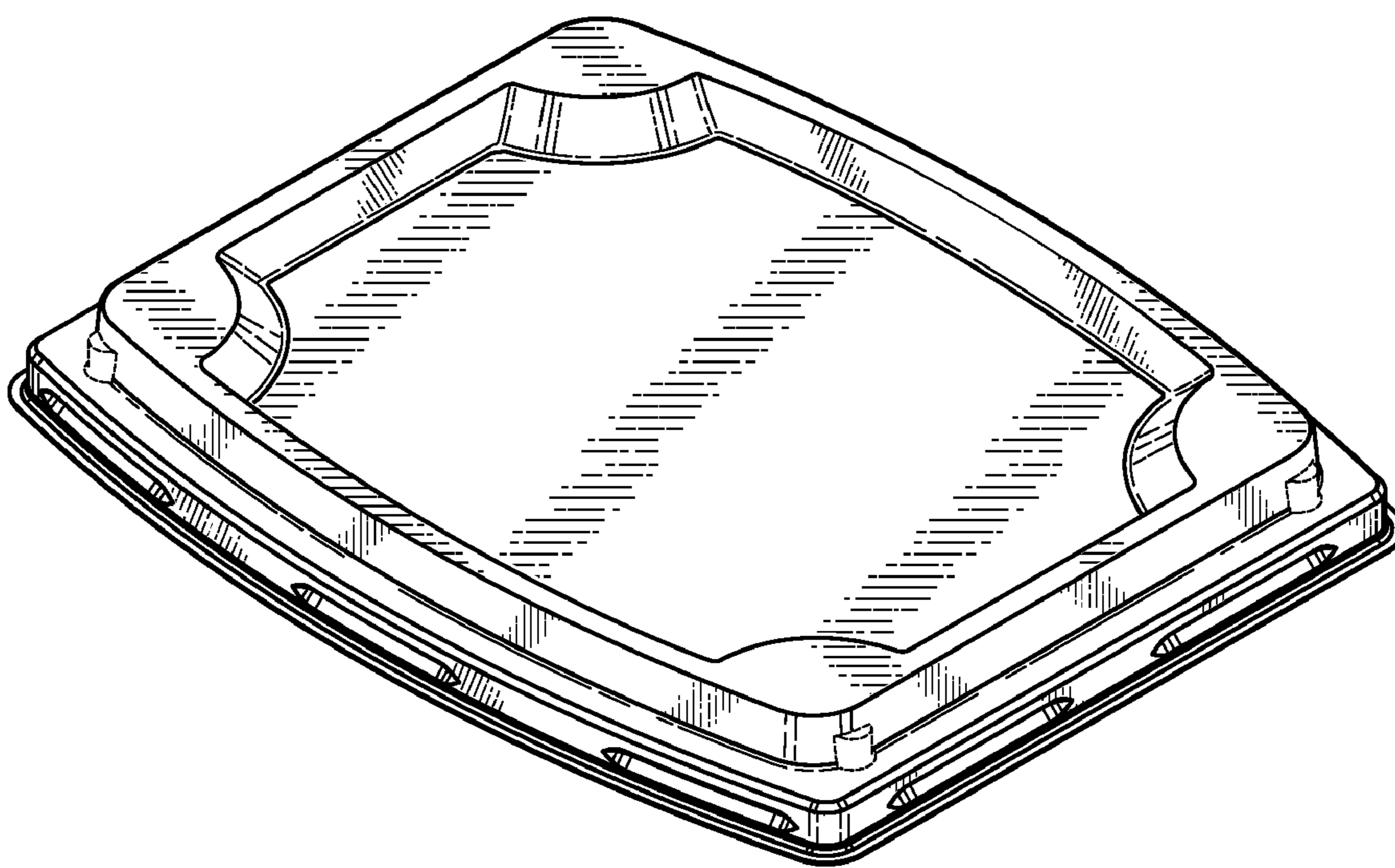


FIG. 1

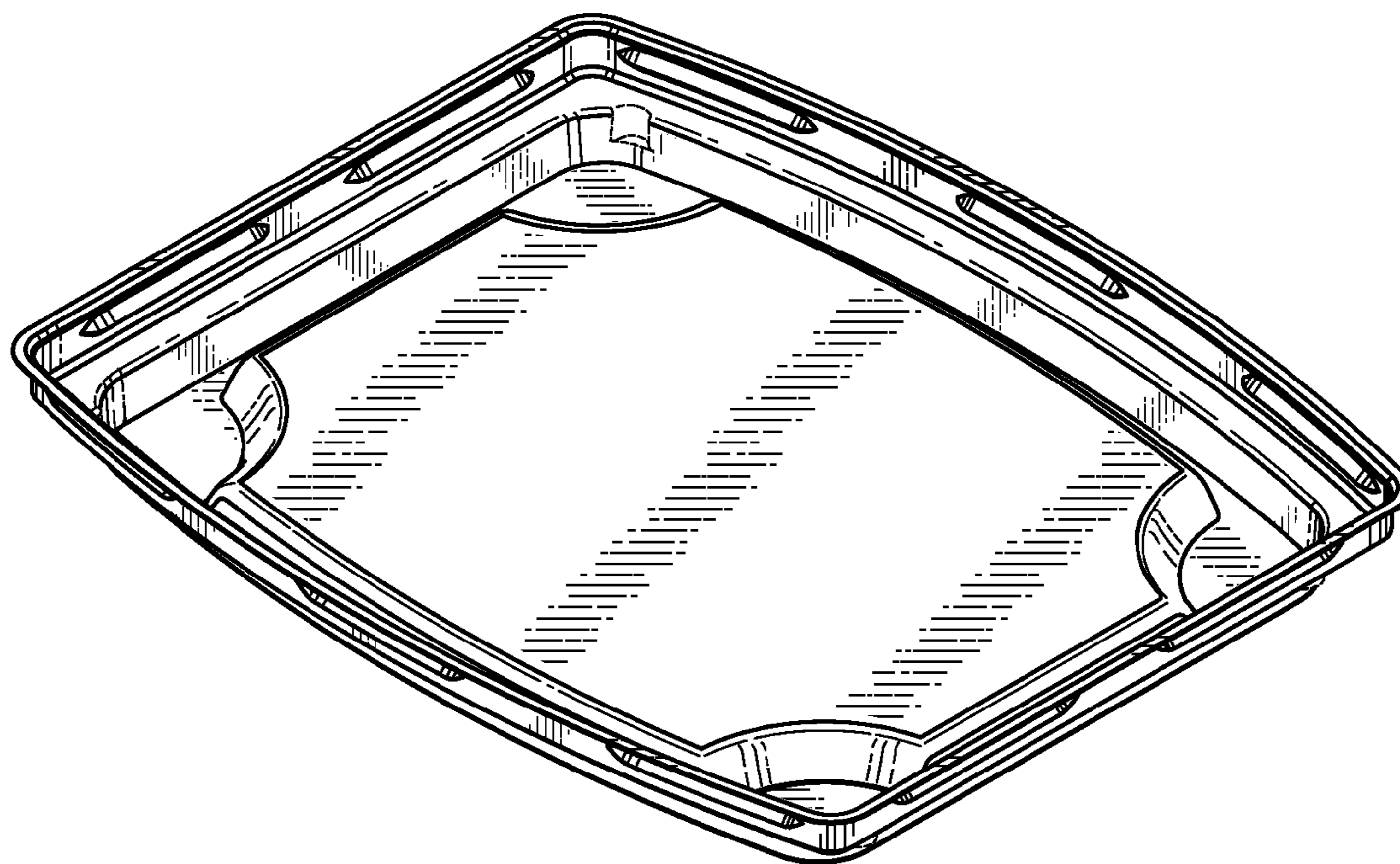


FIG. 2

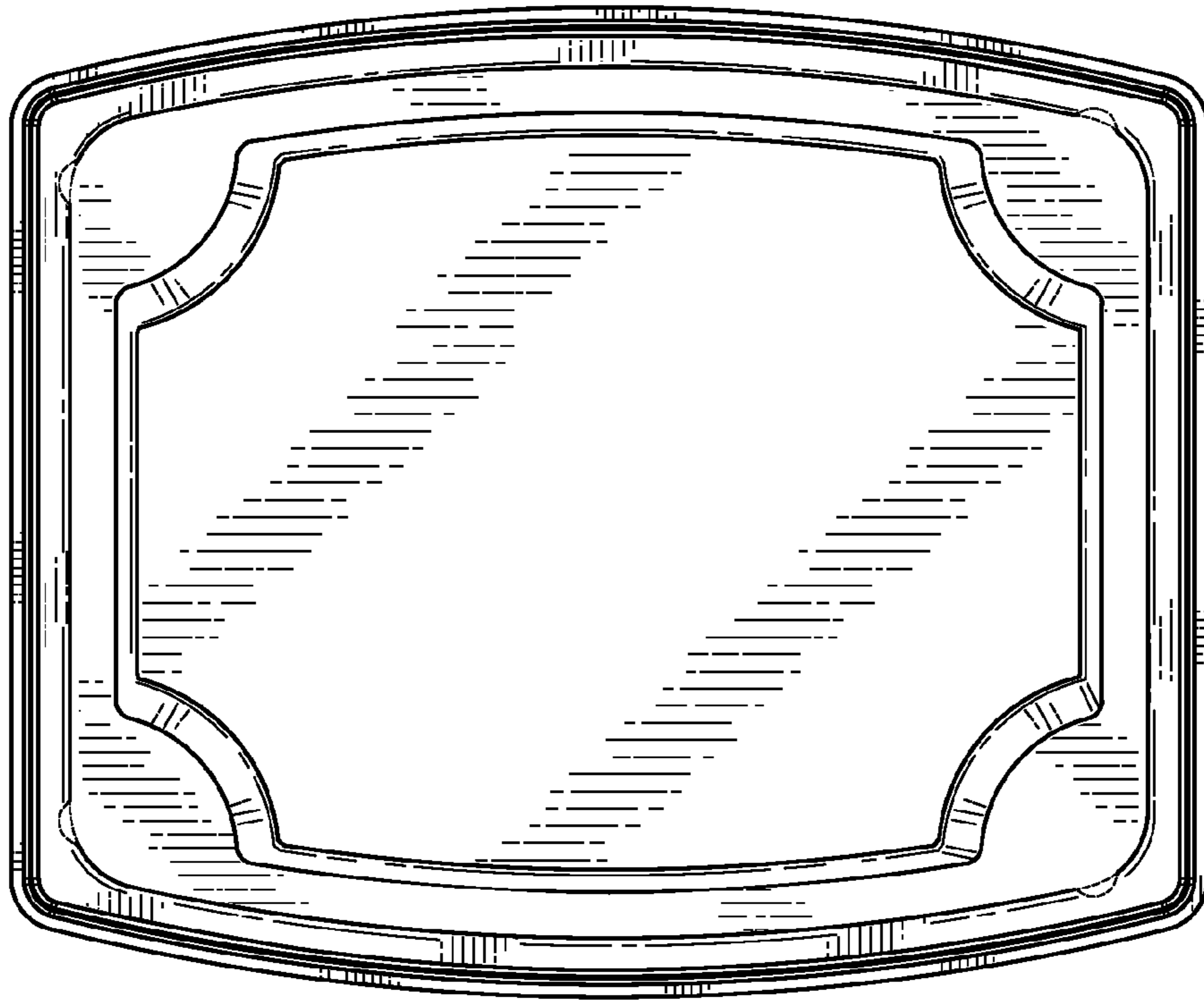


FIG. 3

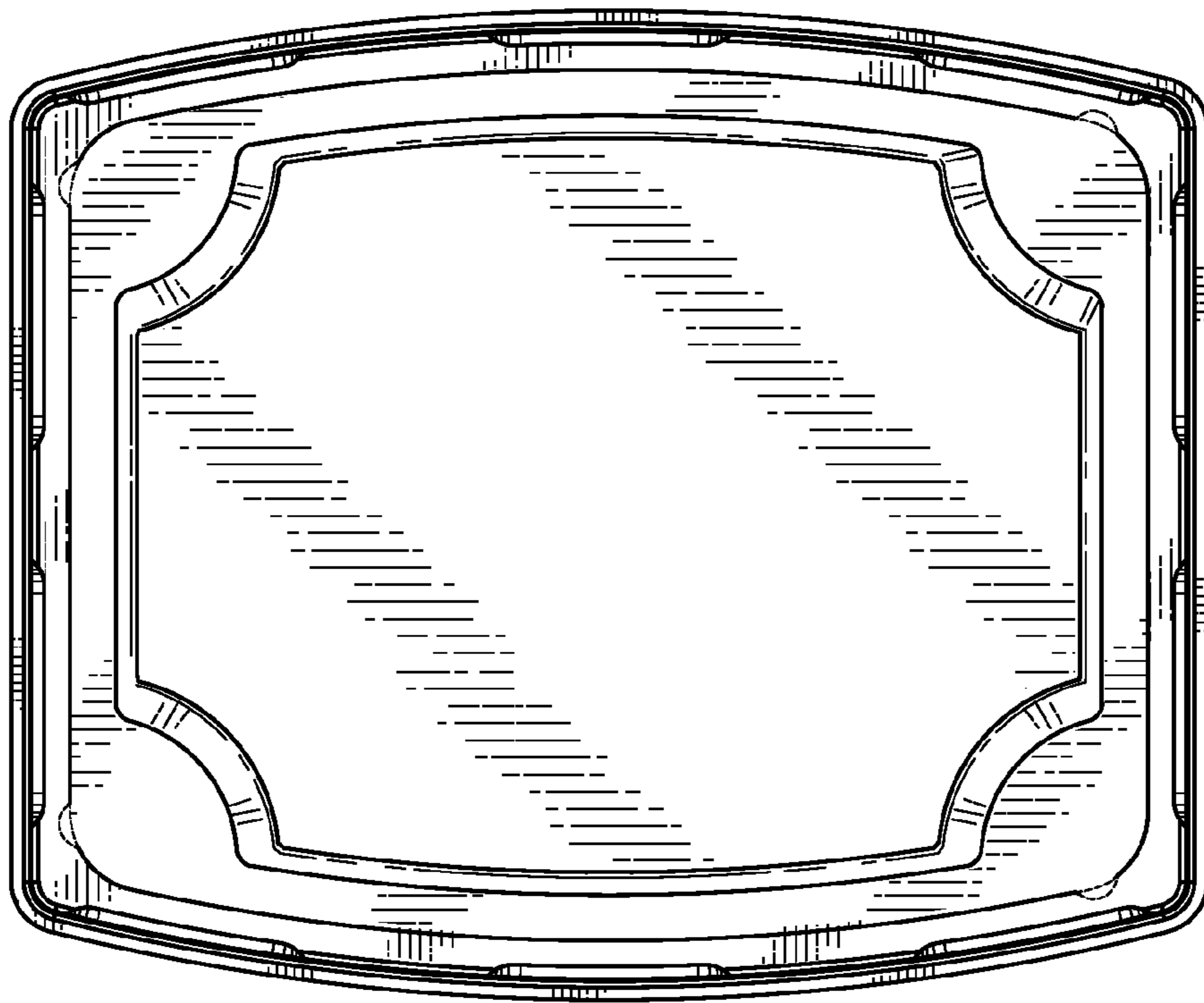


FIG. 4



FIG. 5

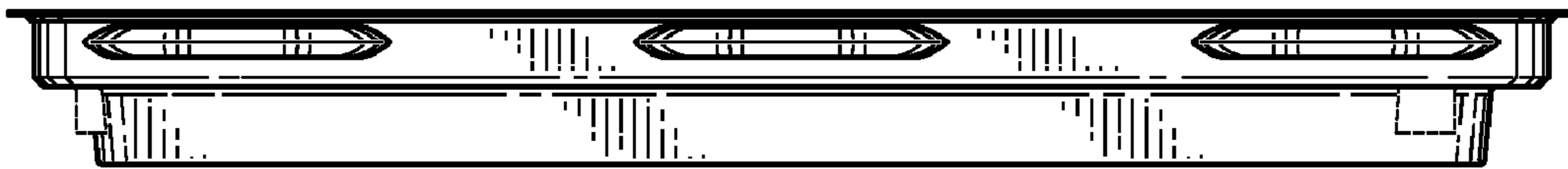


FIG. 6



FIG. 7



FIG. 8