



US00D631743S

(12) **United States Design Patent**
Hubbard, Jr. et al.

(10) **Patent No.:** **US D631,743 S**
(45) **Date of Patent:** **** Feb. 1, 2011**

- (54) **FOOD TRAY**
- (75) Inventors: **James A. Hubbard, Jr.**, Oak Lawn, IL (US); **Matthew R. Cook**, Hinsdale, IL (US); **Thomas Fu**, Naperville, IL (US)
- (73) Assignee: **LBP Manufacturing, Inc.**, Cicero, IL (US)
- (**) Term: **14 Years**
- (21) Appl. No.: **29/364,223**
- (22) Filed: **Jun. 21, 2010**
- (51) **LOC (9) Cl.** **09-03**
- (52) **U.S. Cl.** **D9/433; D9/431**
- (58) **Field of Classification Search** D9/414–418, D9/420–425, 430–433, 761; 206/457, 503, 206/508, 509, 551, 746, 784, 822; 229/100, 229/103.3, 105, 106, 108, 108.1, 109, 112–116, 229/120, 120.24, 126, 155, 162.1, 165, 167, 229/237, 247, 407, 902, 911, 915, 916, 919, 229/922, 938
See application file for complete search history.

- (56) **References Cited**
- U.S. PATENT DOCUMENTS
- 2,330,521 A * 9/1943 Scheide 229/157
- D259,615 S * 6/1981 Morris, Jr. D7/605
- D348,607 S * 7/1994 Young D9/423
- 5,411,204 A 5/1995 DeMay
- 5,800,061 A * 9/1998 Volles 383/15
- 6,036,085 A * 3/2000 Tsao 229/117.14

- 6,050,483 A * 4/2000 Haraldsson et al. 229/114
- 6,543,679 B2 * 4/2003 Cai et al. 229/120.06
- D495,251 S * 8/2004 Zack D9/431
- D519,366 S * 4/2006 Epstein D9/431
- D552,987 S * 10/2007 Magnusson D9/432
- 7,587,883 B2 * 9/2009 Cook et al. 53/491
- 2004/0182916 A1 * 9/2004 Roseth 229/155
- 2010/0065620 A1 * 3/2010 Smith 229/109

OTHER PUBLICATIONS

Photo of food box believed to have been taken prior to Jun. 21, 2010.
* cited by examiner
Primary Examiner—Thomas J Johannes
(74) *Attorney, Agent, or Firm*—Brinks Hofer Gilson & Lione

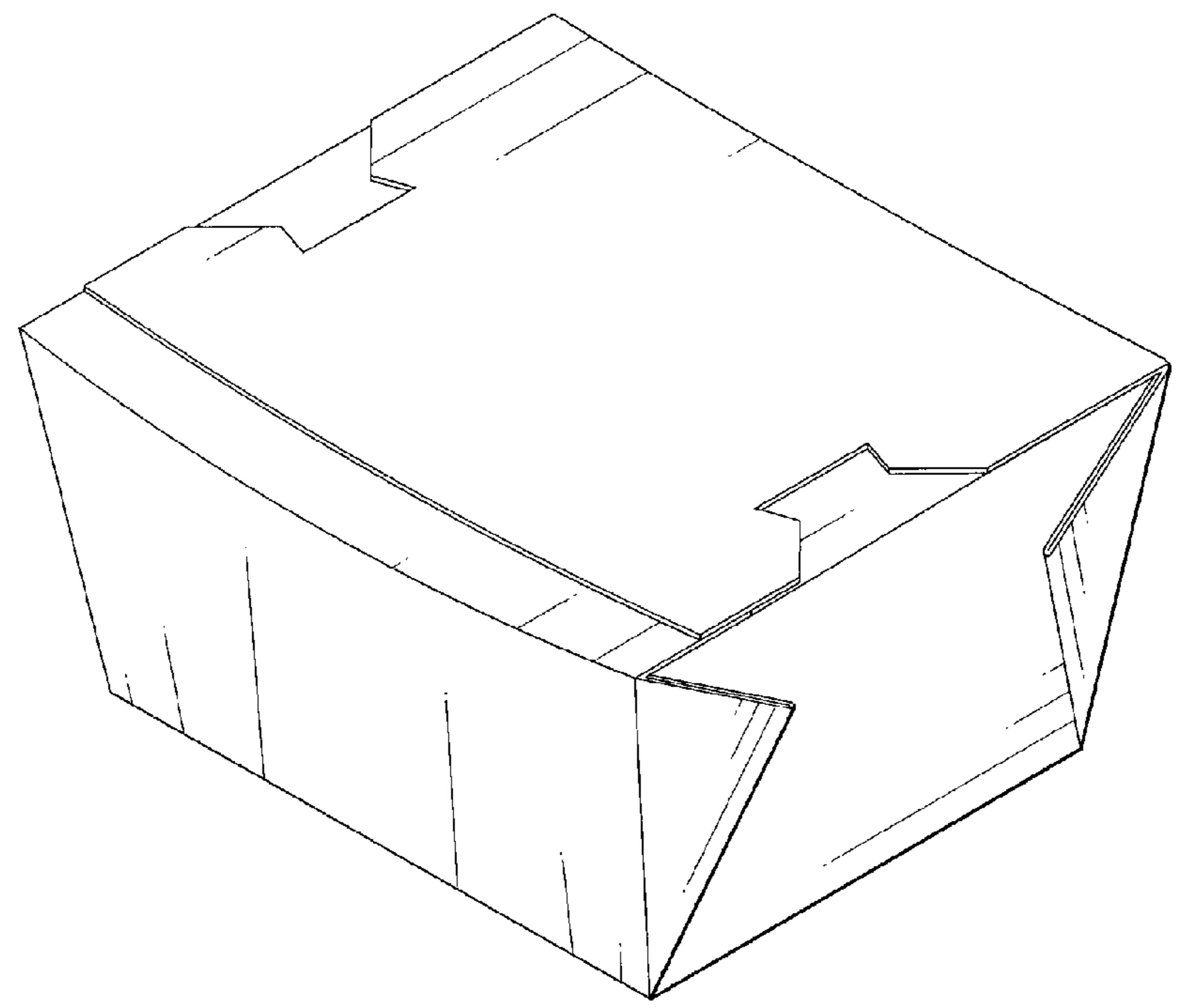
(57) **CLAIM**

We claim the ornamental design for a food tray, as shown and described.

DESCRIPTION

FIG. 1 is a perspective view of a food tray showing our new design;
FIG. 2 is a front elevation view thereof;
FIG. 3 is a rear elevation view thereof;
FIG. 4 is a side elevation view thereof;
FIG. 5 is a top plan view thereof;
FIG. 6 is a bottom plan view thereof; and,
FIG. 7 is an unassembled blank plan view thereof.
The broken lines in FIG. 7 show claimed fold lines.

1 Claim, 5 Drawing Sheets



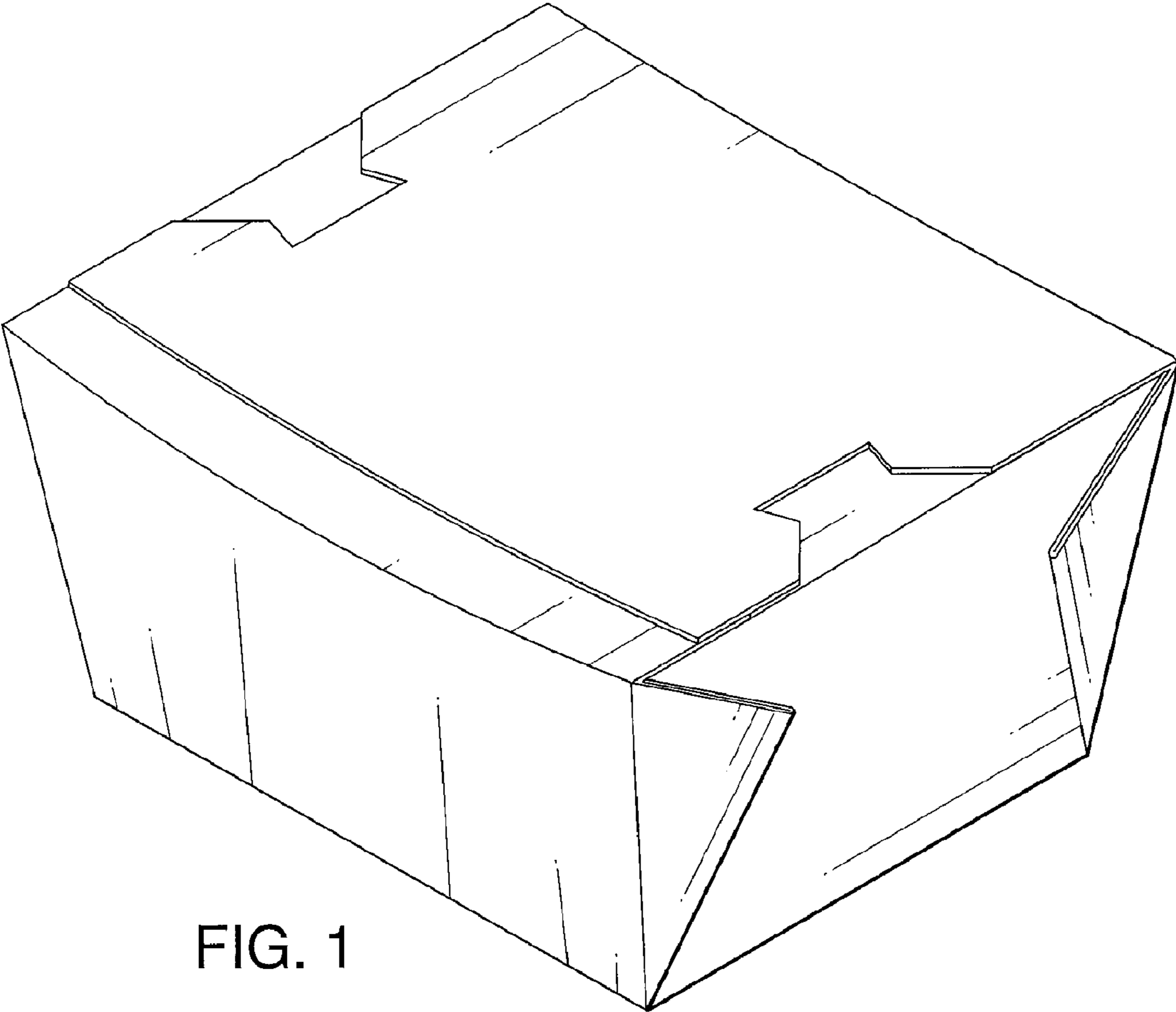


FIG. 1

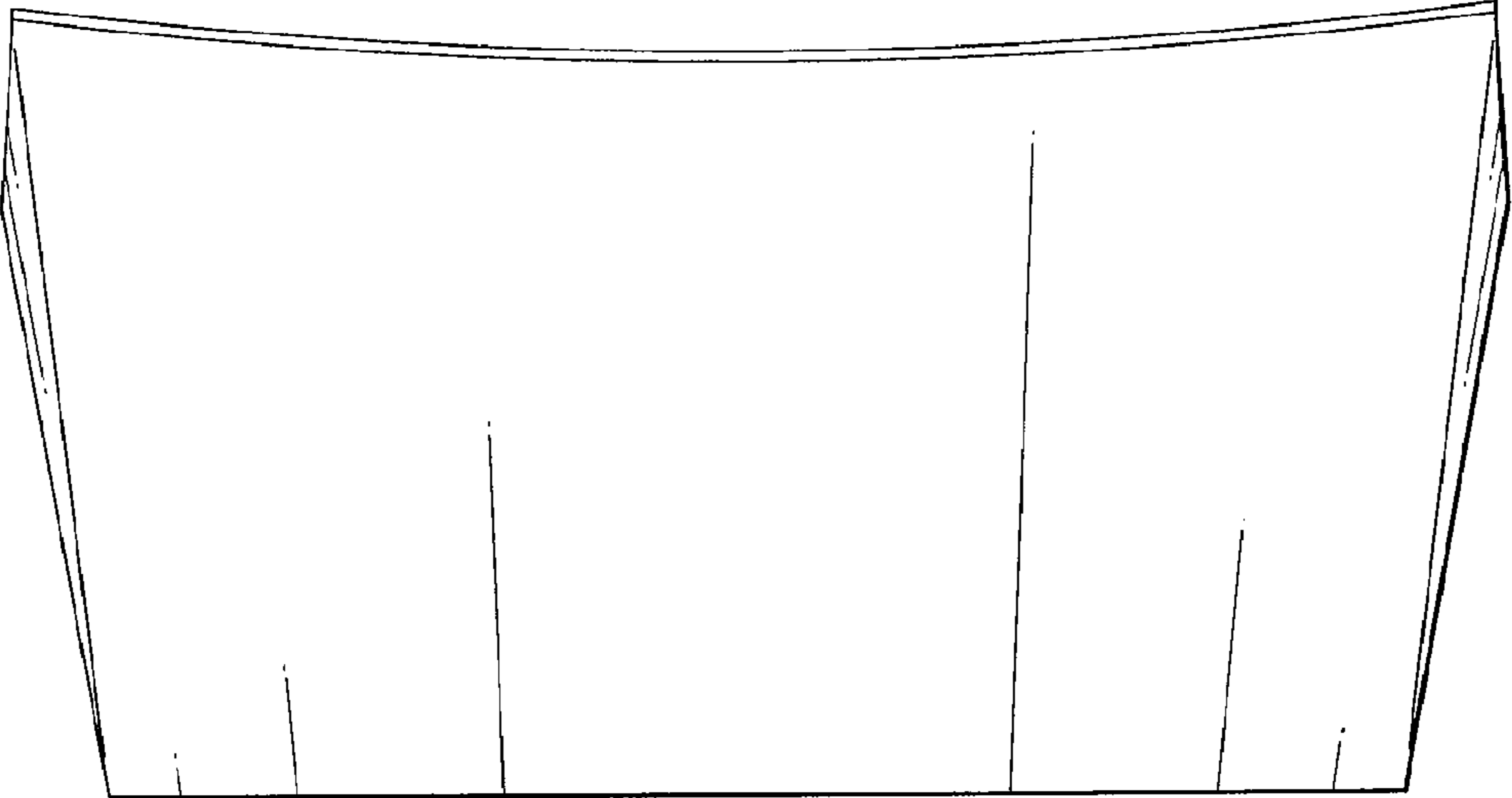


FIG. 2

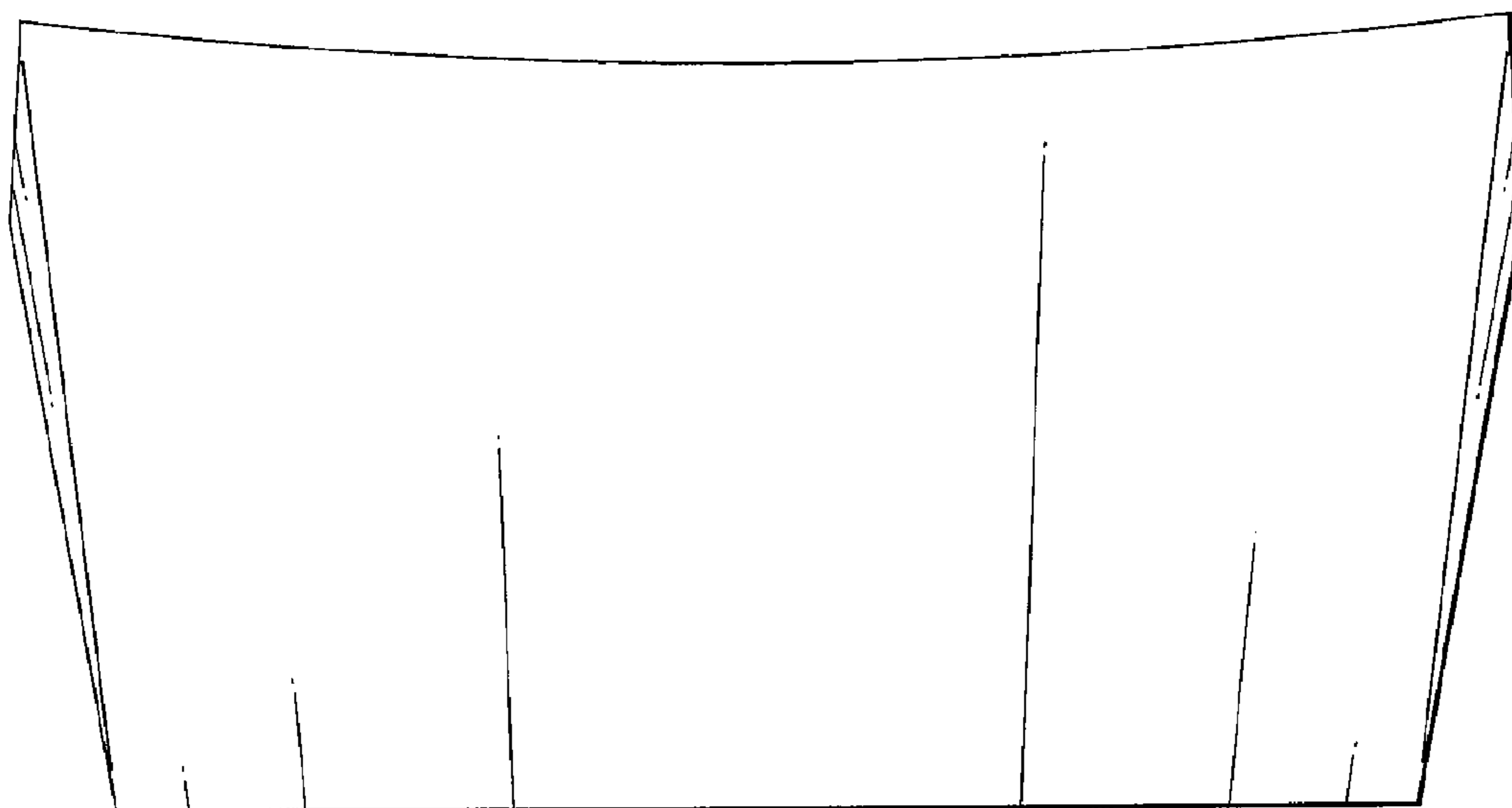


FIG. 3

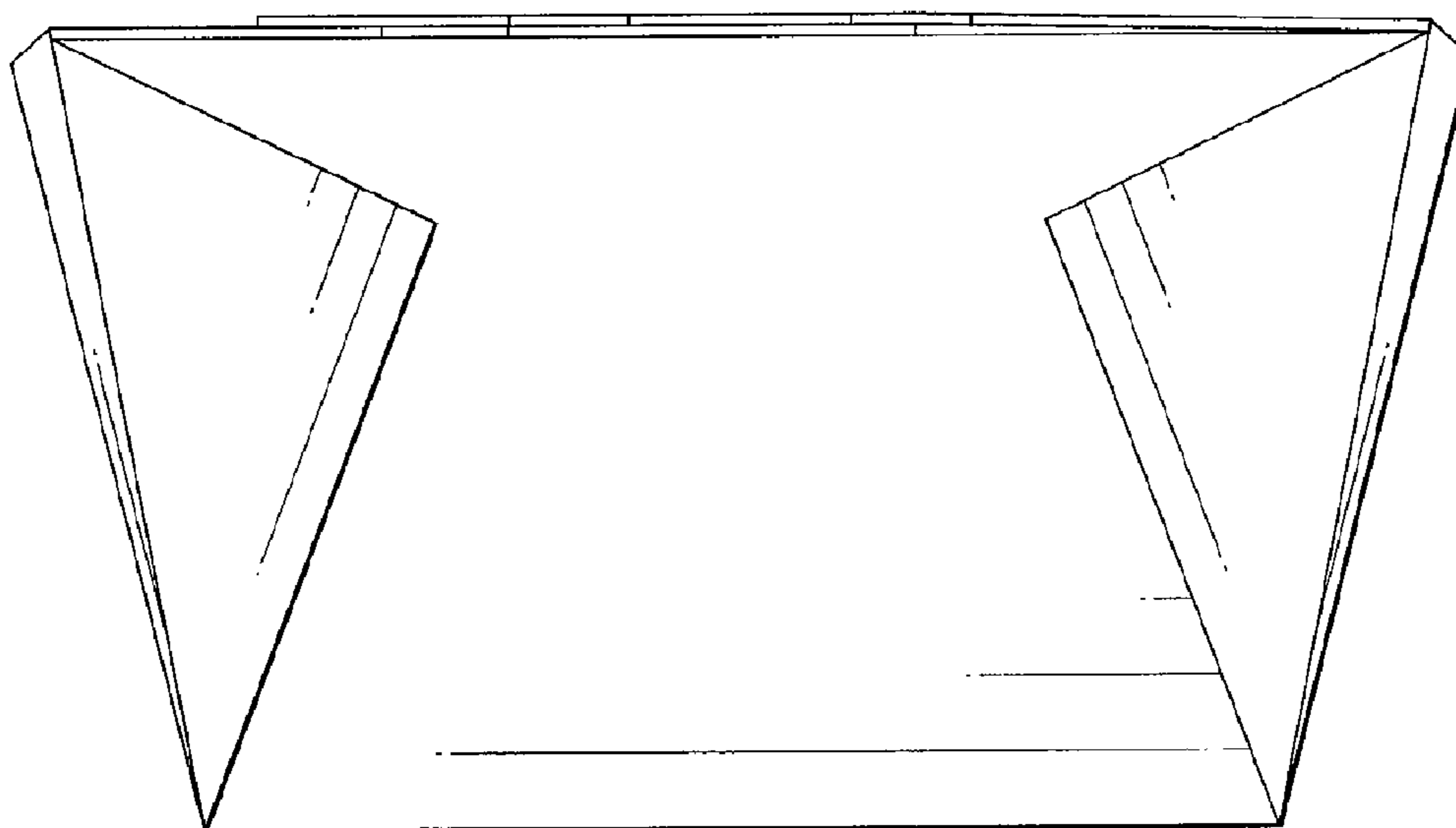


FIG. 4

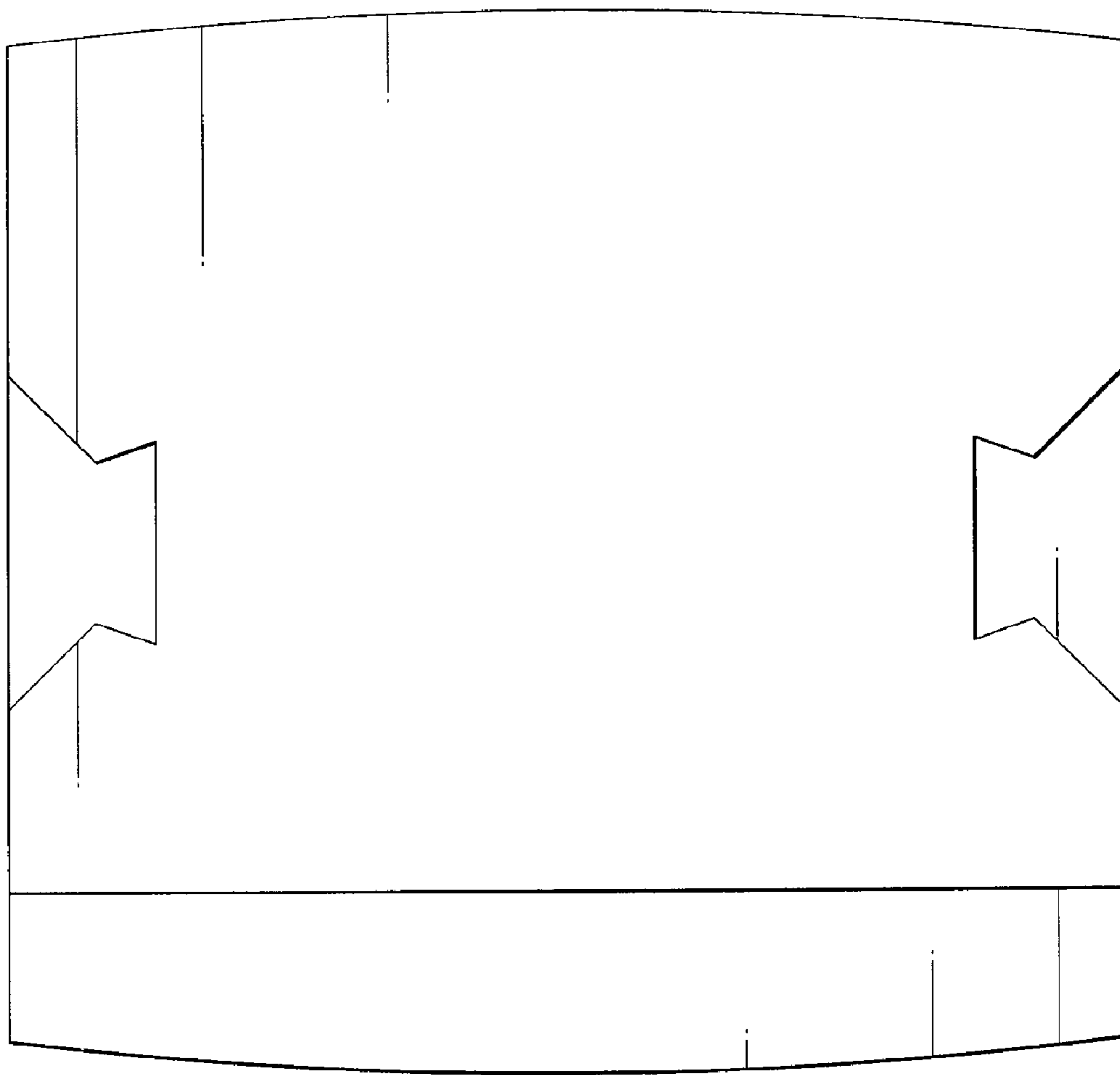


FIG. 5

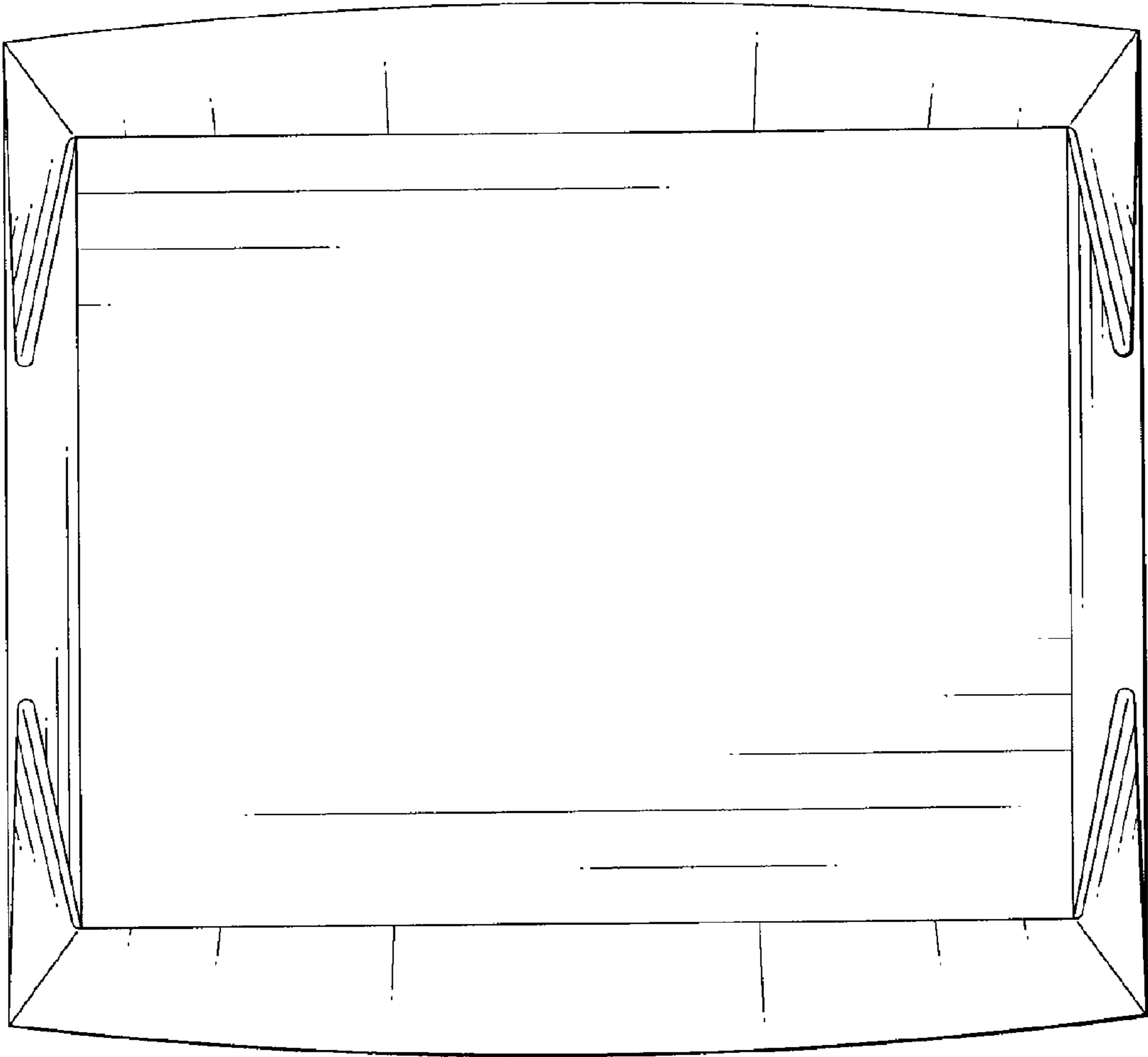


FIG. 6

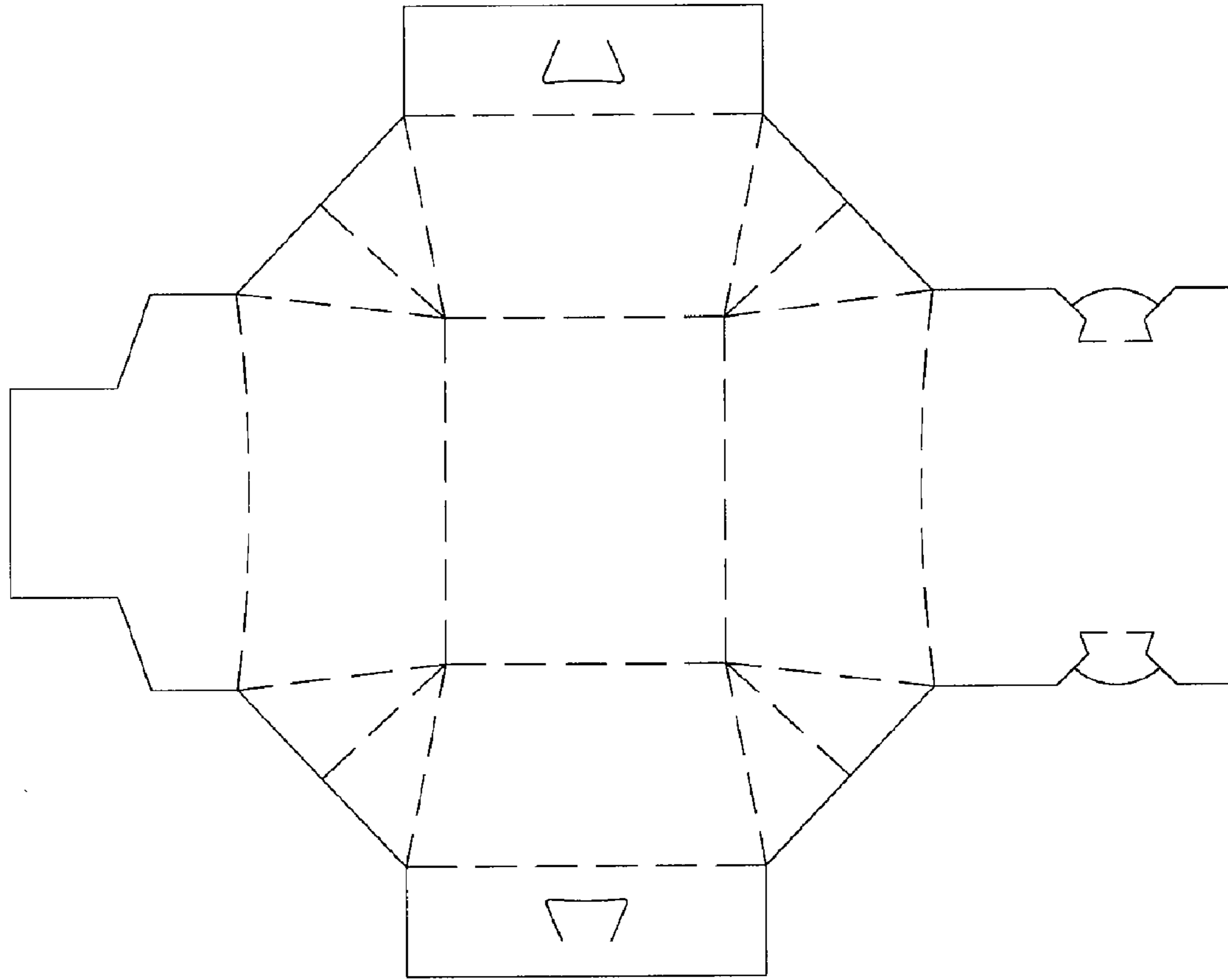


FIG. 7