



US00D631736S

(12) **United States Design Patent**
You

(10) **Patent No.:** **US D631,736 S**
(45) **Date of Patent:** **** Feb. 1, 2011**

(54) **T-BOLT**

(76) **Inventor:** **Bai Sen You**, Flat E., 2/F, Blk 2,
Greenview Terrace, 6 Castle Peak Road,
Tsuen Wan, New Territories, Hong Kong
SAR (CN)

(**) **Term:** **14 Years**

(21) **Appl. No.:** **29/359,713**

(22) **Filed:** **Apr. 14, 2010**

Related U.S. Application Data

(63) Continuation of application No. 12/116,259, filed on
May 7, 2008, now abandoned.

(30) **Foreign Application Priority Data**

Sep. 11, 2007 (CN) 2007 1 0045762

(51) **LOC (9) Cl.** **08-08**

(52) **U.S. Cl.** **D8/387**

(58) **Field of Classification Search** D8/387;
411/378, 393, 394, 399, 402, 403, 404, 427
See application file for complete search history.

(56) **References Cited**

U.S. PATENT DOCUMENTS

2,459,386 A	1/1949	Matthes	
2,936,667 A *	5/1960	Thorberg	411/393
3,082,711 A	3/1963	Vetere	
4,052,833 A	10/1977	Beine	
4,307,551 A	12/1981	Crandell	
D273,460 S *	4/1984	Sturm	D8/387
4,571,912 A	2/1986	Fricker	
4,739,601 A	4/1988	Beine	

4,784,554 A *	11/1988	Break	411/383
5,729,951 A	3/1998	Fröhlich	
5,743,062 A	4/1998	Fricker	
6,302,629 B1 *	10/2001	Hsiao	411/187
6,499,714 B1	12/2002	Wike	
D499,010 S *	11/2004	Velten	D8/387
6,855,012 B2	2/2005	An	
D563,216 S *	3/2008	Suehiro et al.	D8/387
7,462,073 B2	12/2008	Bell et al.	
2004/0005823 A1	1/2004	An	
2006/0123726 A1	6/2006	Azarin	

FOREIGN PATENT DOCUMENTS

CA 2174137 A1 4/1995

* cited by examiner

Primary Examiner—Holly H Baynham

Assistant Examiner—Sheryl Lane

(74) *Attorney, Agent, or Firm*—Buchanan Ingersoll &
Rooney PC

(57) **CLAIM**

The ornamental design for a T-bolt, as shown and described.

DESCRIPTION

FIG. 1 is a perspective view of a T-bolt according to my new design.

FIG. 2 is a front elevational view thereof.

FIG. 3 is a rear elevational view thereof.

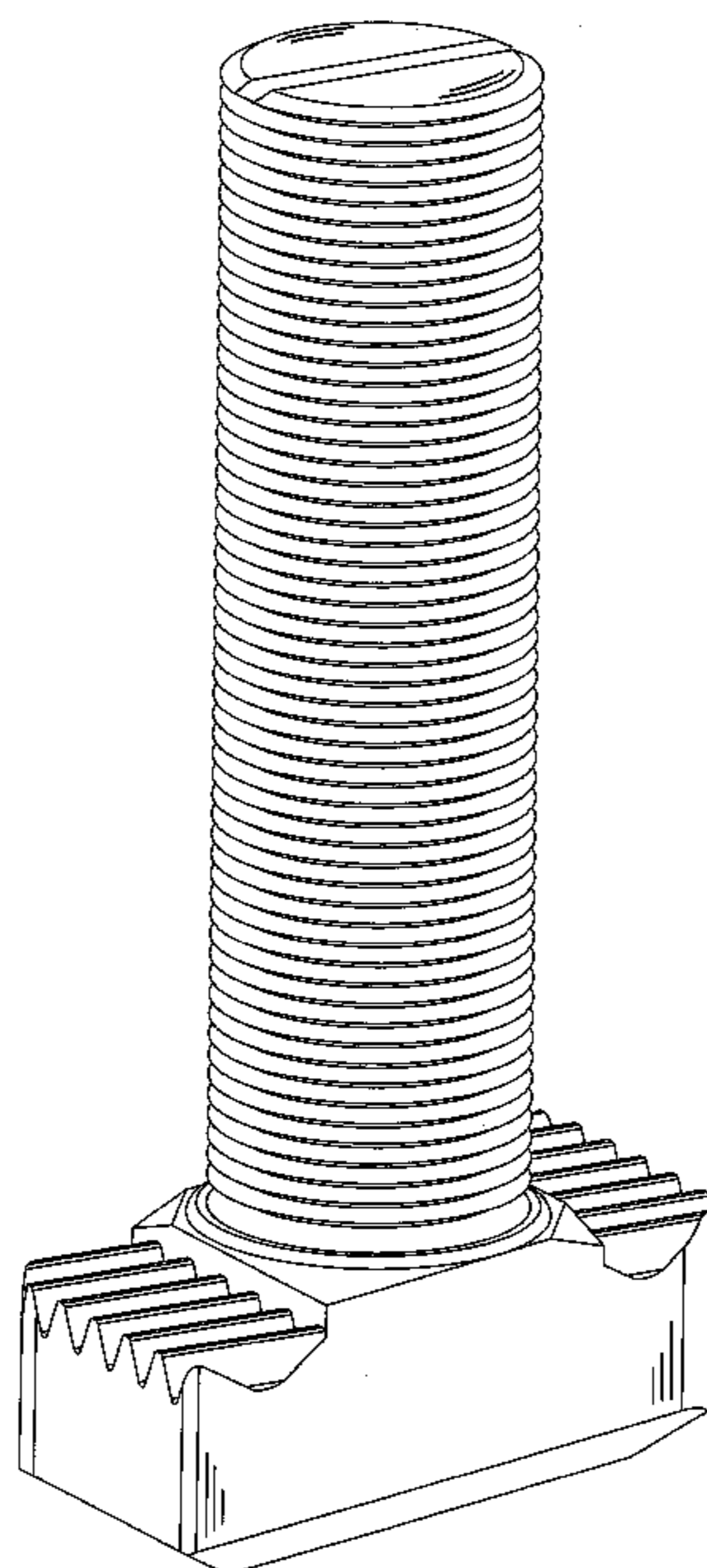
FIG. 4 is a left side elevational view thereof.

FIG. 5 is a right side elevational view thereof.

FIG. 6 is a top plan view thereof; and,

FIG. 7 is a bottom plan view thereof.

1 Claim, 7 Drawing Sheets



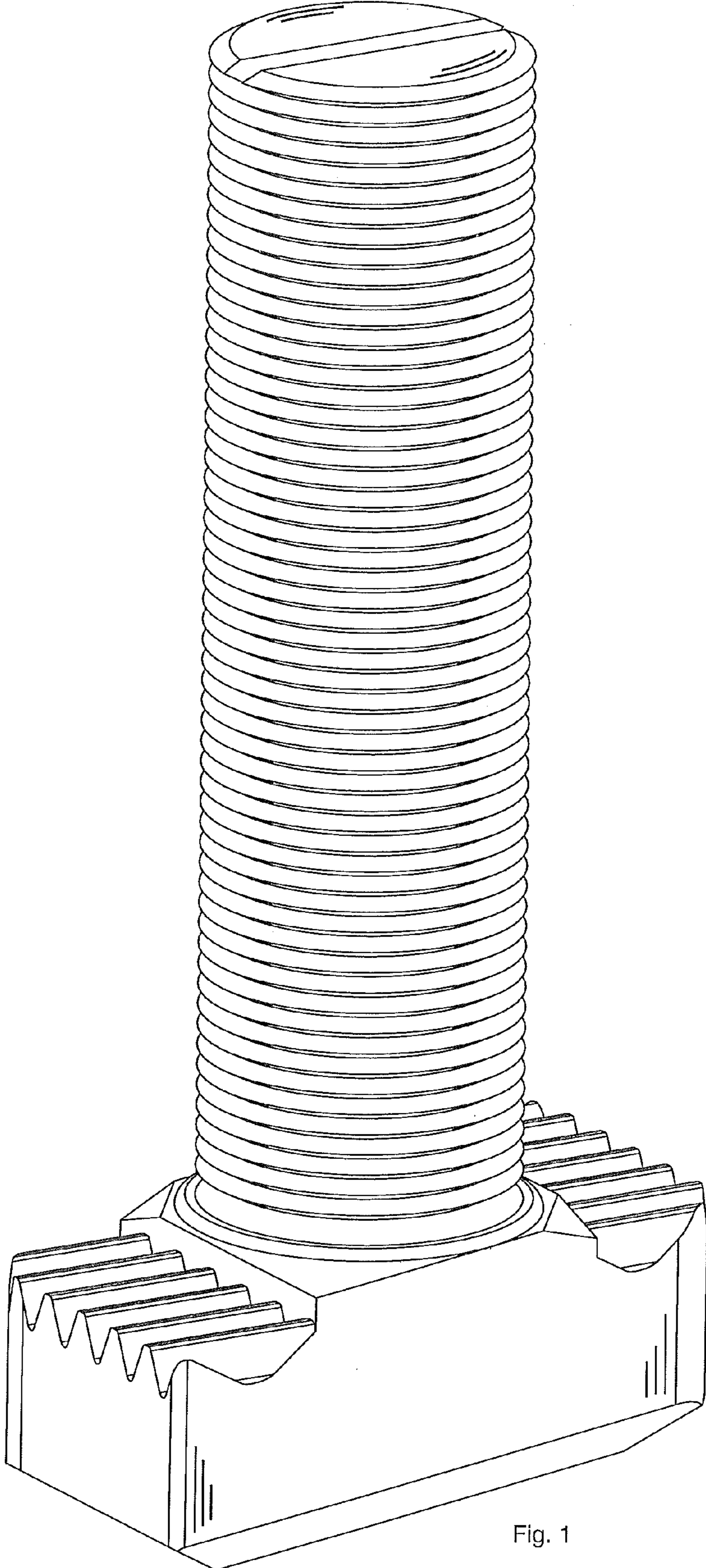


Fig. 1

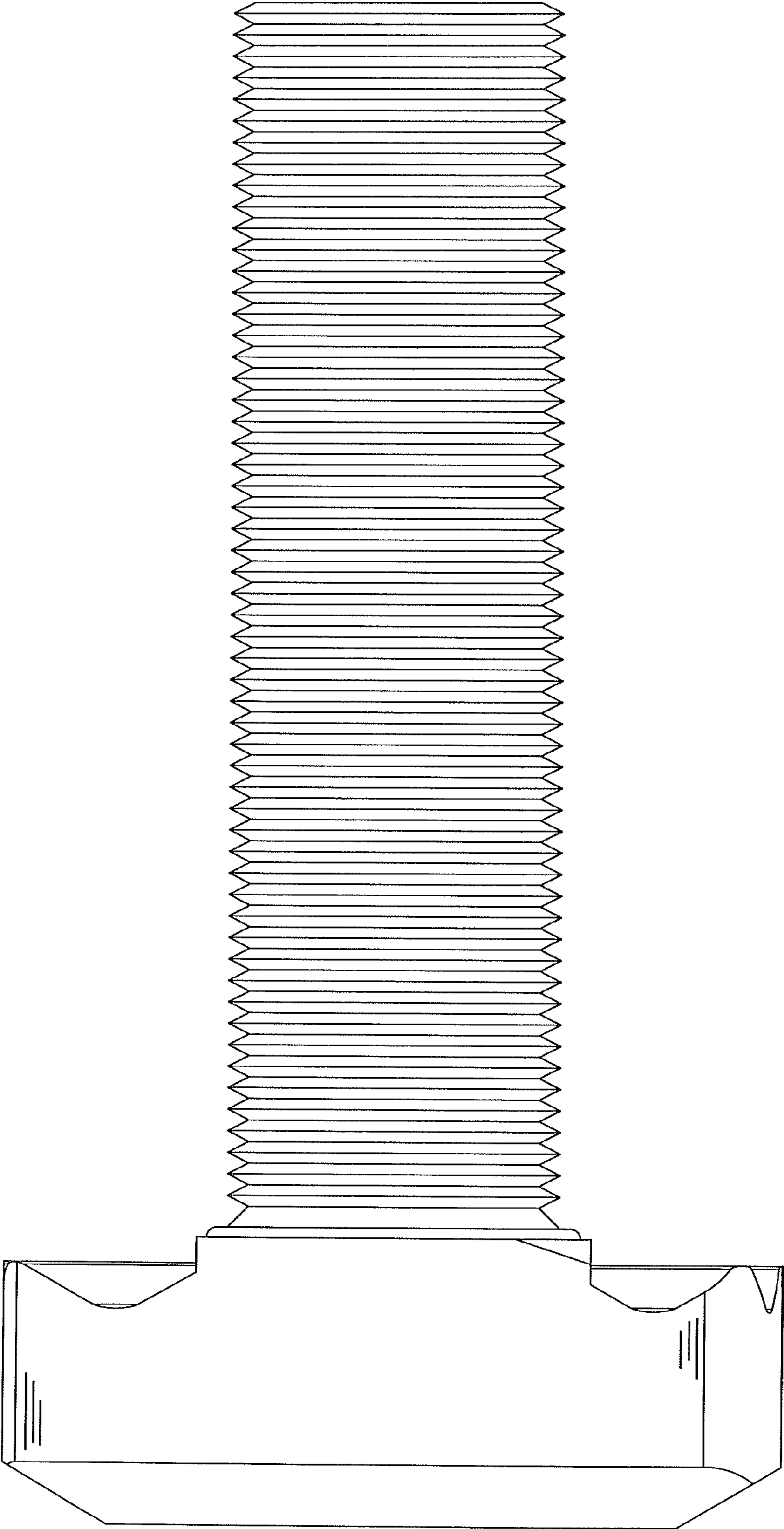


Fig. 2

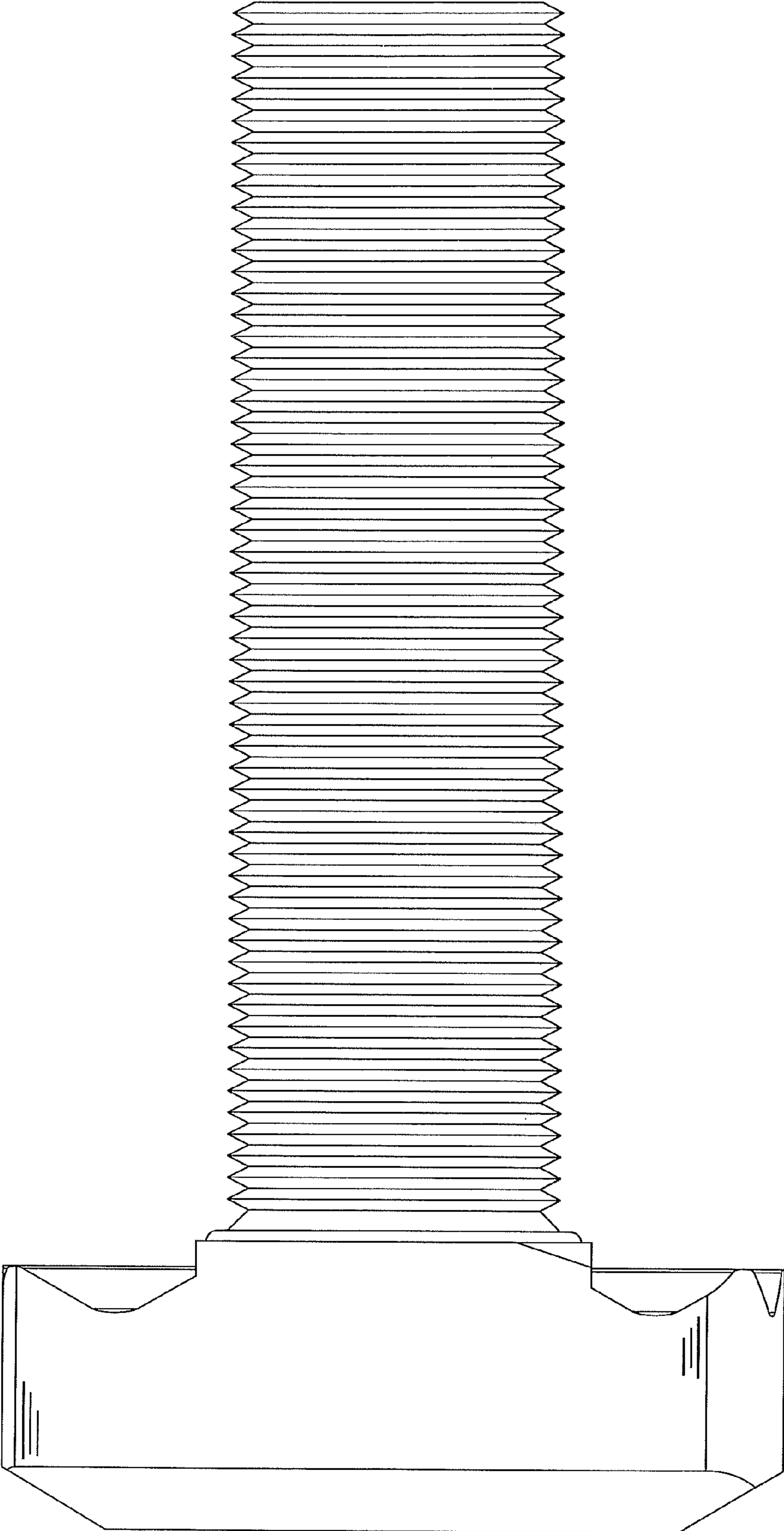


Fig. 3

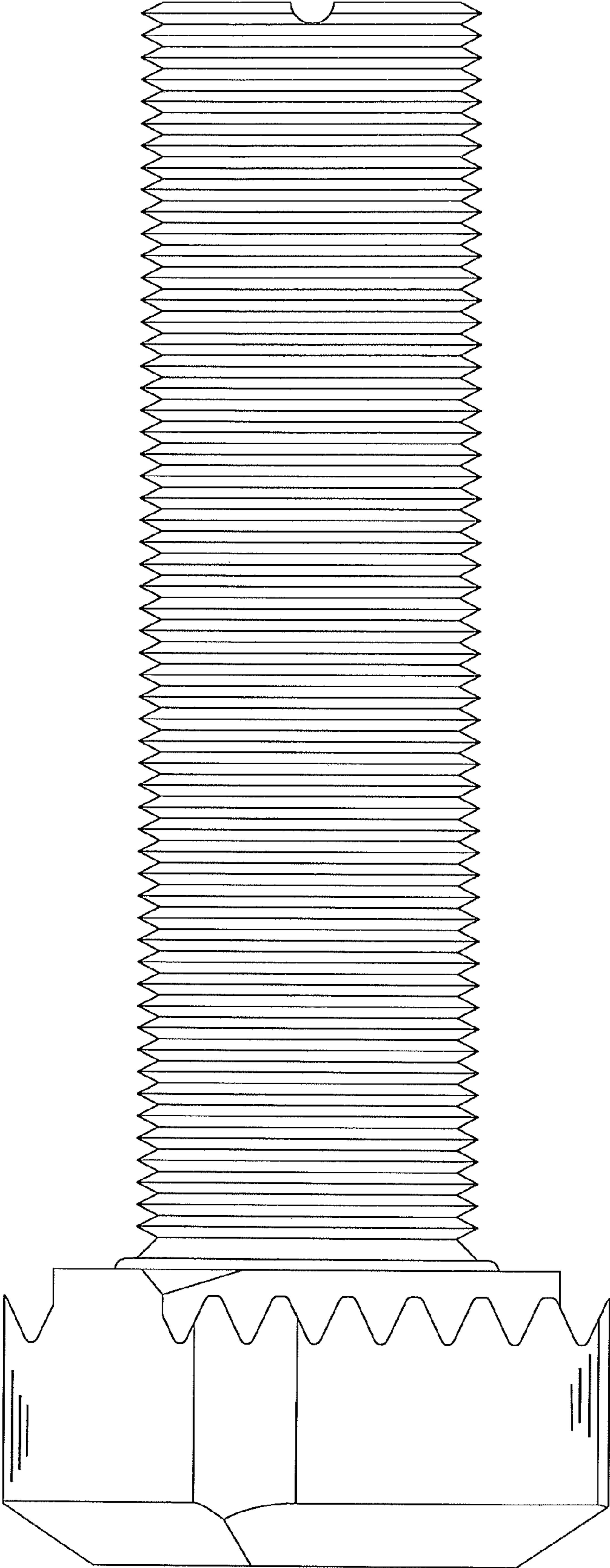


Fig. 4

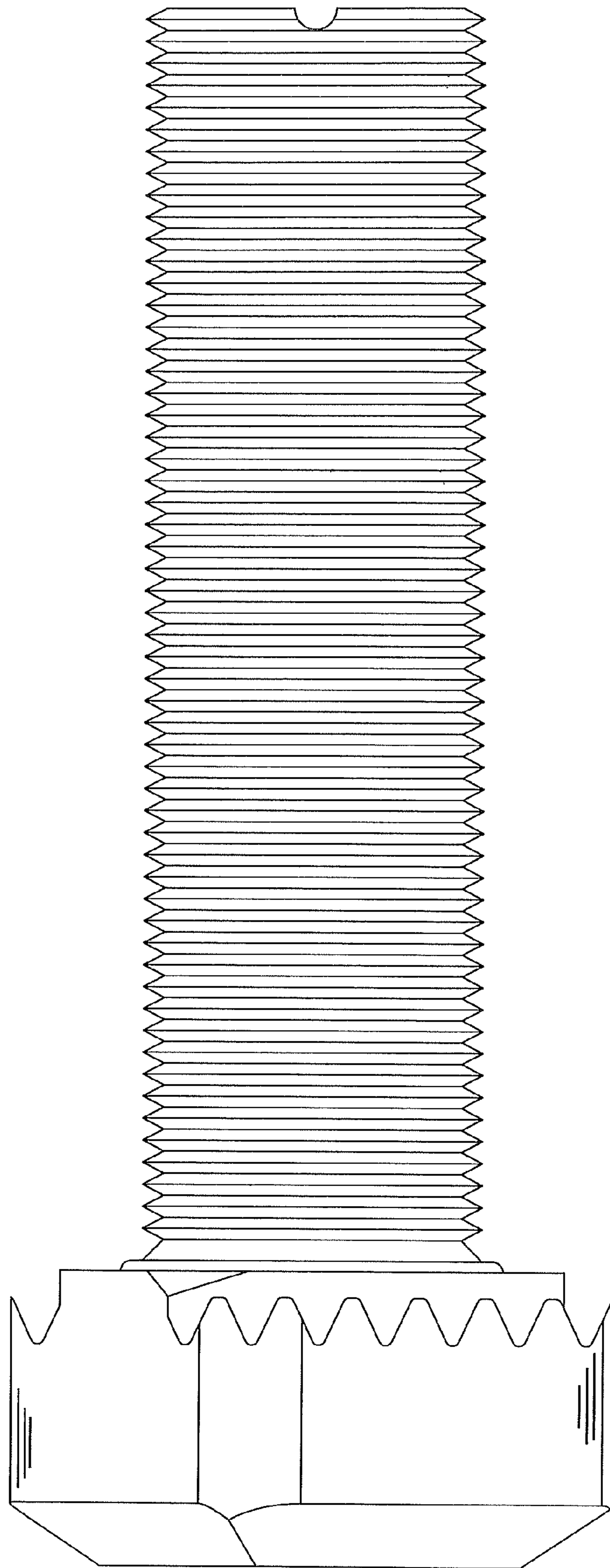


Fig. 5

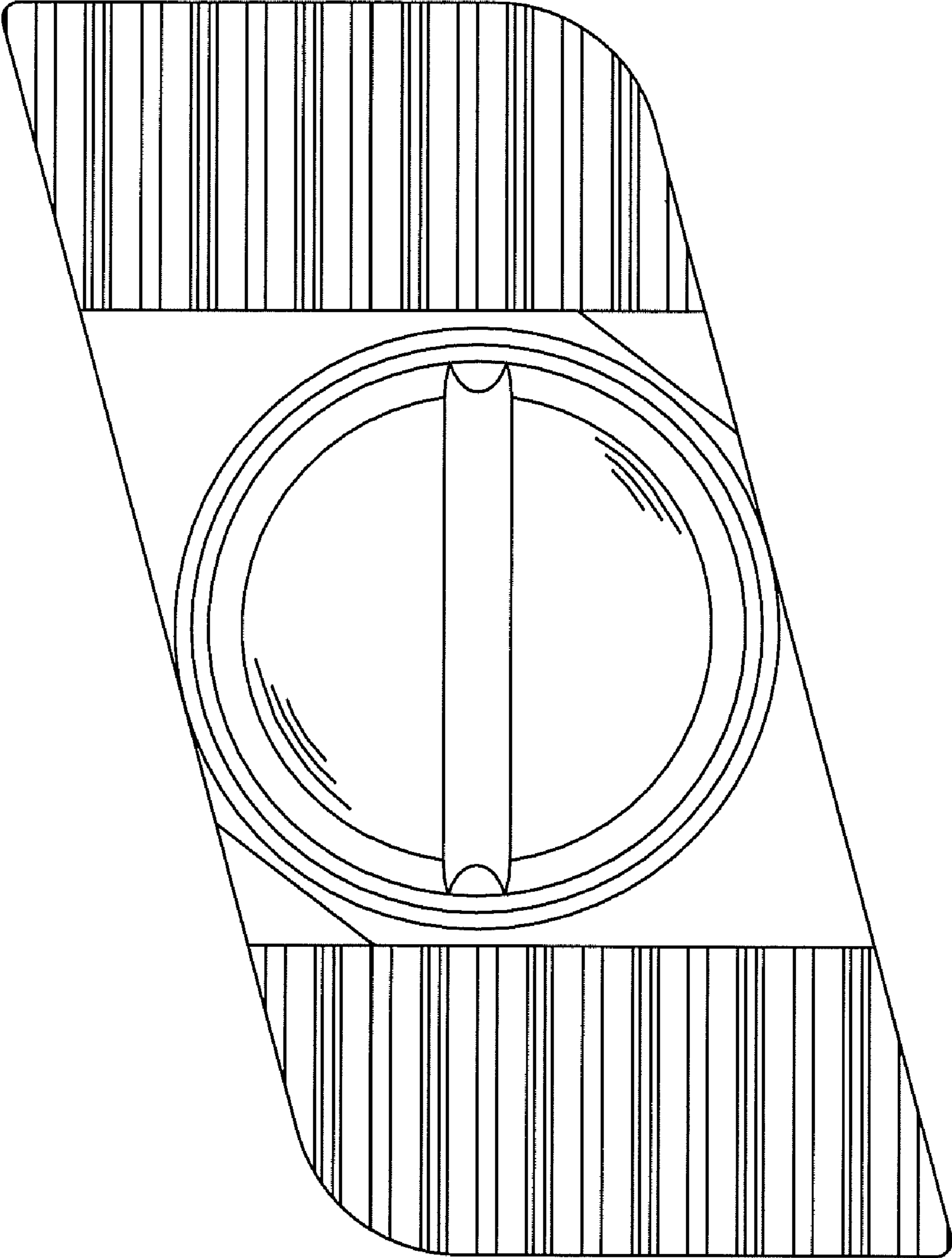


Fig. 6

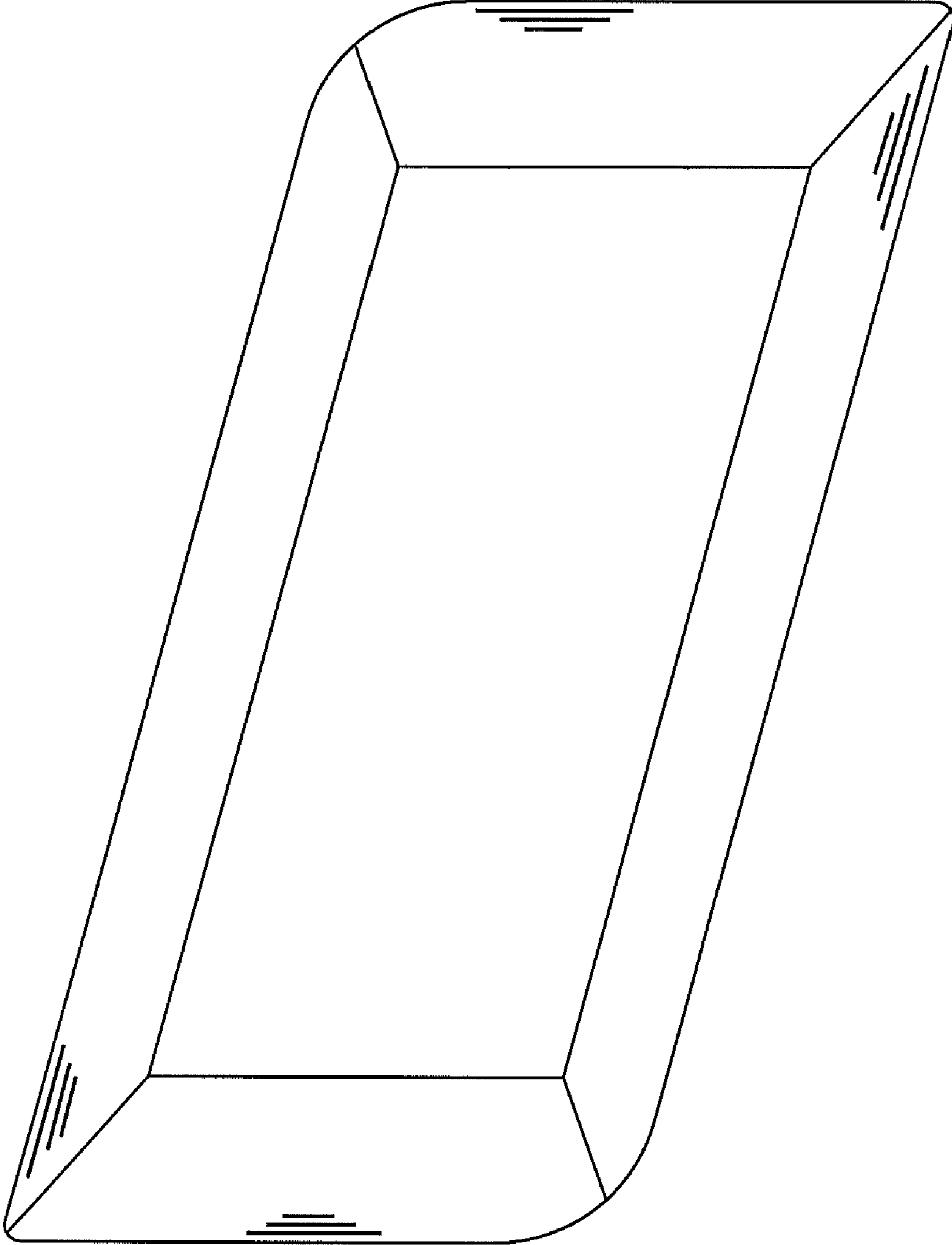


Fig. 7