



US00D631735S

(12) **United States Design Patent**
Johnson

(10) **Patent No.:** **US D631,735 S**
(45) **Date of Patent:** **** Feb. 1, 2011**

(54) **BRACKET FOR MOUNTING A VIDEO MONITOR TO A BAG DISPENSING RACK**

D513,680 S 1/2006 Snell

(75) Inventor: **Joseph Ryan Johnson**, Grundy Center, IA (US)

(Continued)

(73) Assignee: **Waverly Plastics Company, Inc.**, Waverly, IA (US)

Primary Examiner—Susan Bennett Hattan
(74) *Attorney, Agent, or Firm*—McKee, Voorhees & Sease, P.L.C.

(**) Term: **14 Years**

(57) **CLAIM**

(21) Appl. No.: **29/368,122**

I claim the ornamental design for a bracket for mounting a video monitor to a bag dispensing rack, substantially as shown and described.

(22) Filed: **Aug. 18, 2010**

(51) **LOC (9) Cl.** **08-05**

DESCRIPTION

(52) **U.S. Cl.** **D8/380**

(58) **Field of Classification Search** D8/381, D8/380, 373, 371, 366, 363, 354, 349; D6/572, D6/567, 553, 512, 491, 466, 449, 418, 407, D6/566, 574; 52/12, 11; 248/917, 629, 309.1, 248/300, 261, 250, 245, 239, 235, 200
See application file for complete search history.

FIG. 1 is a rear perspective view of my new bracket for mounting a video monitor to a bag dispensing rack.

FIG. 2 is a front perspective view thereof.

FIG. 3 is a top plan view thereof.

FIG. 4 is a bottom plan view thereof.

FIG. 5 is a rear elevational view thereof as viewed in FIG. 1.

FIG. 6 is a side elevational view thereof from the left side as viewed in FIG. 1. The opposite side being a mirror image thereof.

FIG. 7 is a front elevational view thereof as viewed in FIG. 1.

FIG. 8 is a front perspective view of the bracket positioned on the front end of a rack.

FIG. 9 is a front perspective view of a monitor positioned on the front of the bracket; and,

FIG. 10 is a rear perspective view of the rack with a monitor positioned on the front of the rack.

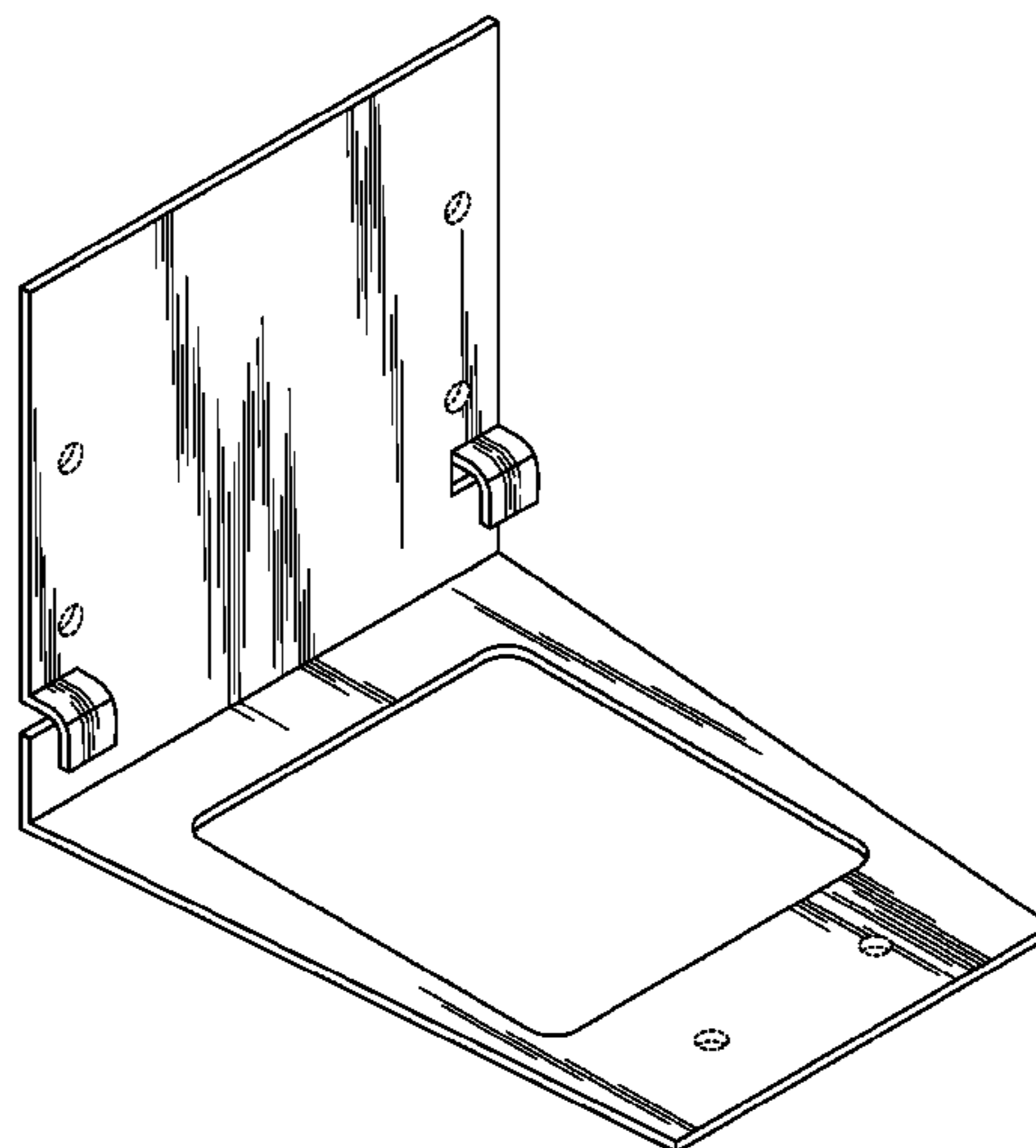
The rack and monitor are shown in broken lines for illustrative purposes only and form no part of the claimed invention. The dash line representation of holes in the bracket is also for illustrative purposes only, and is not intended to form a portion of the claimed design.

(56) **References Cited**

U.S. PATENT DOCUMENTS

3,288,416	A	11/1966	Franklin	
D222,904	S *	2/1972	Griffith	D8/380
D267,699	S *	1/1983	Prawl	D8/380
D280,800	S *	10/1985	Chalberg	D8/380
D292,249	S *	10/1987	Stade	D6/406.3
D293,182	S	12/1987	Carter	
D298,396	S	11/1988	Gallego	
D312,185	S	11/1990	Prater, Sr.	
D314,114	S	1/1991	Steinman	
D323,777	S *	2/1992	Knox, III	D8/380
D330,479	S	10/1992	Stevens	
D340,826	S	11/1993	Deom	
D361,070	S *	8/1995	Wall et al.	D14/253
D362,779	S	10/1995	Chen	
D416,188	S *	11/1999	Rosen et al.	D8/381
D419,346	S	1/2000	Monigold	
6,669,157	B1	12/2003	Willin et al.	

1 Claim, 6 Drawing Sheets



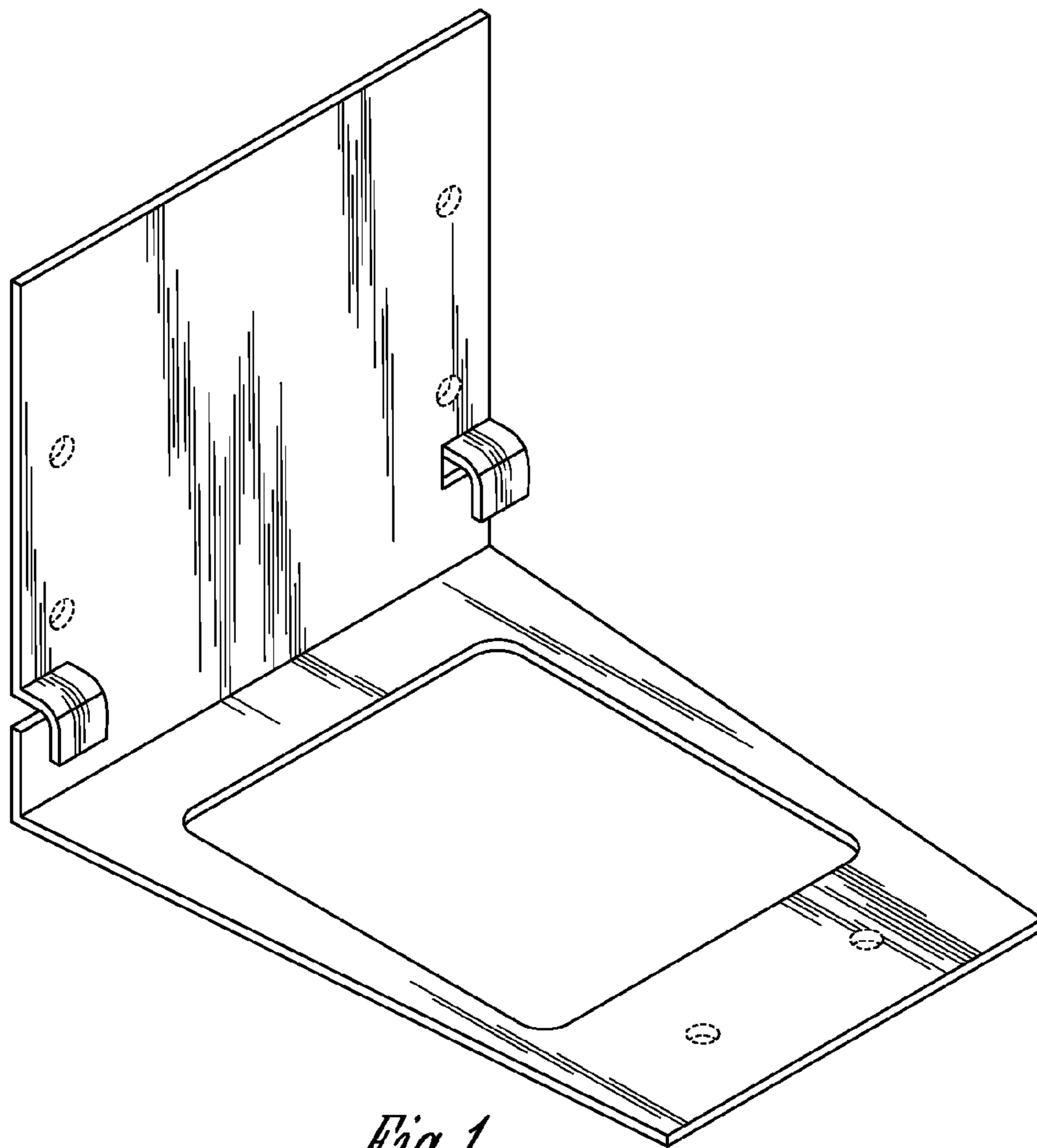


Fig. 1

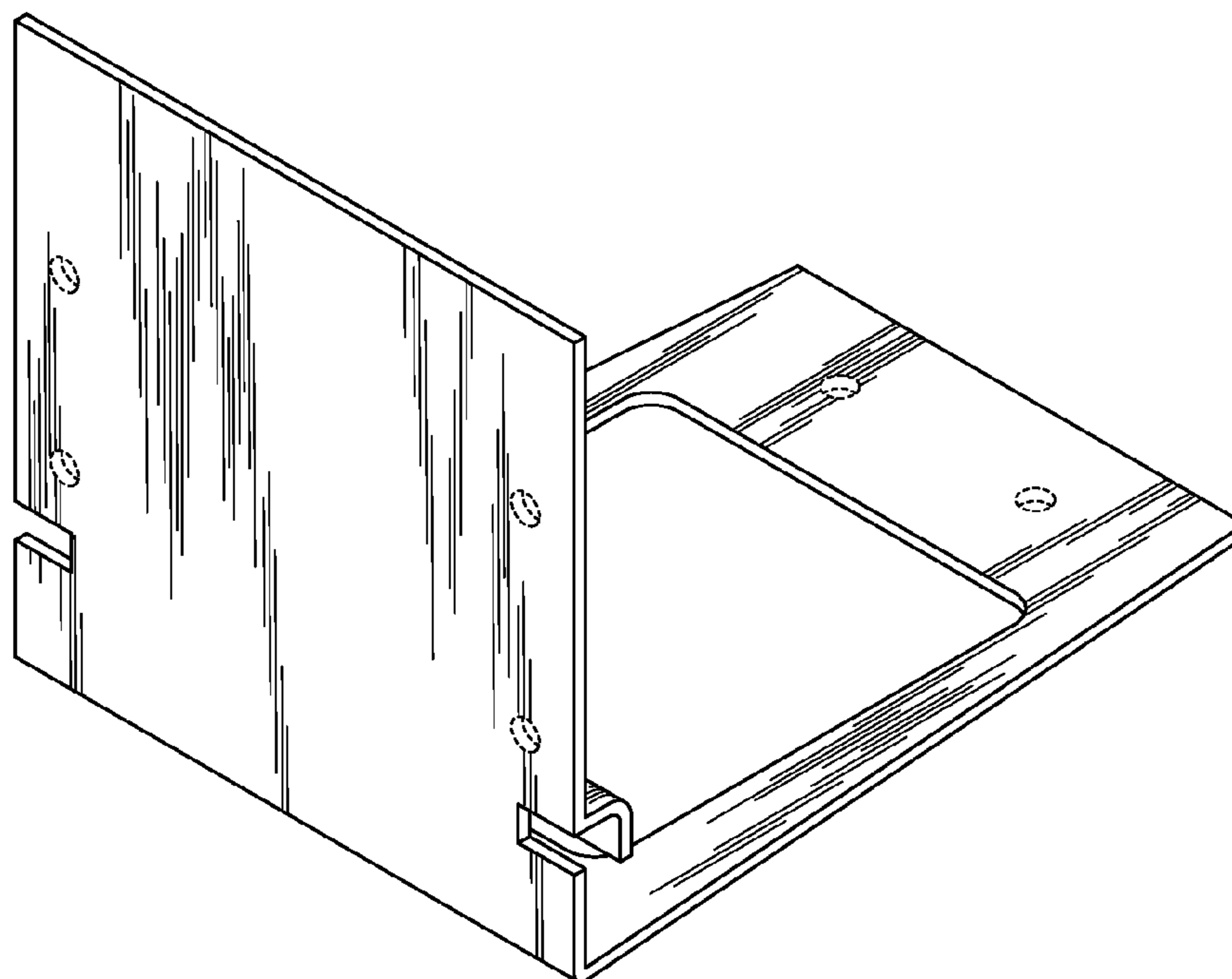


Fig. 2

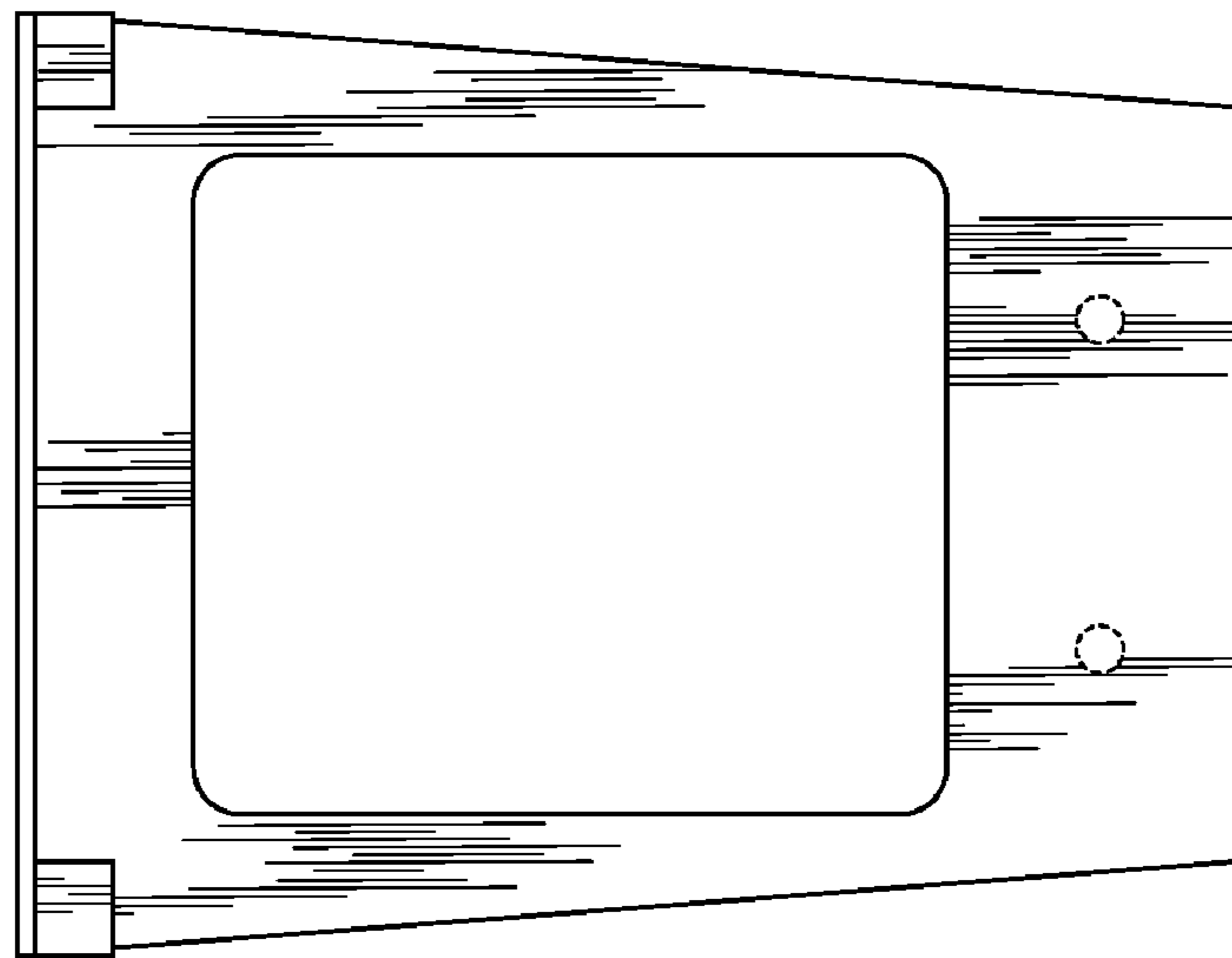


Fig. 3

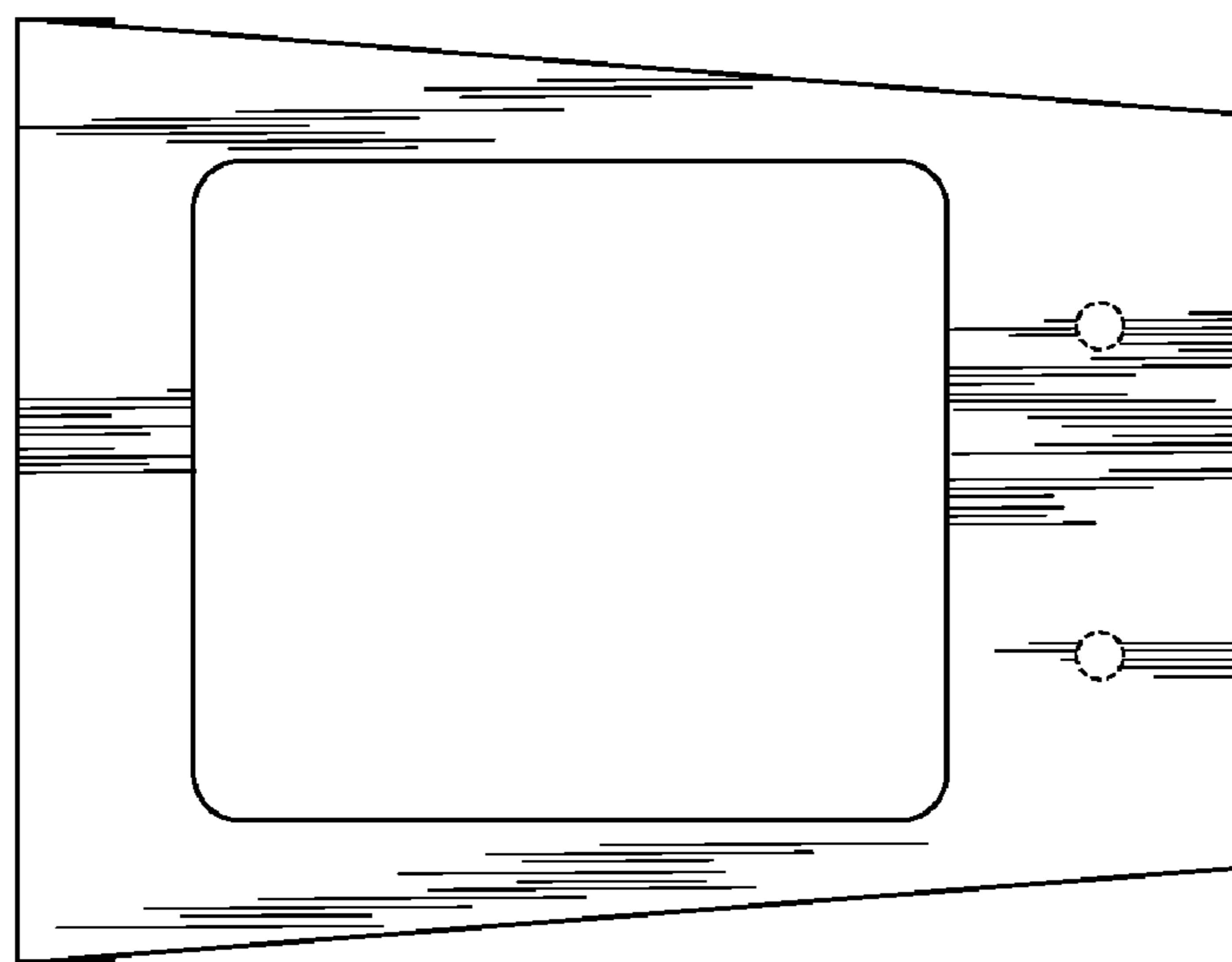


Fig. 4

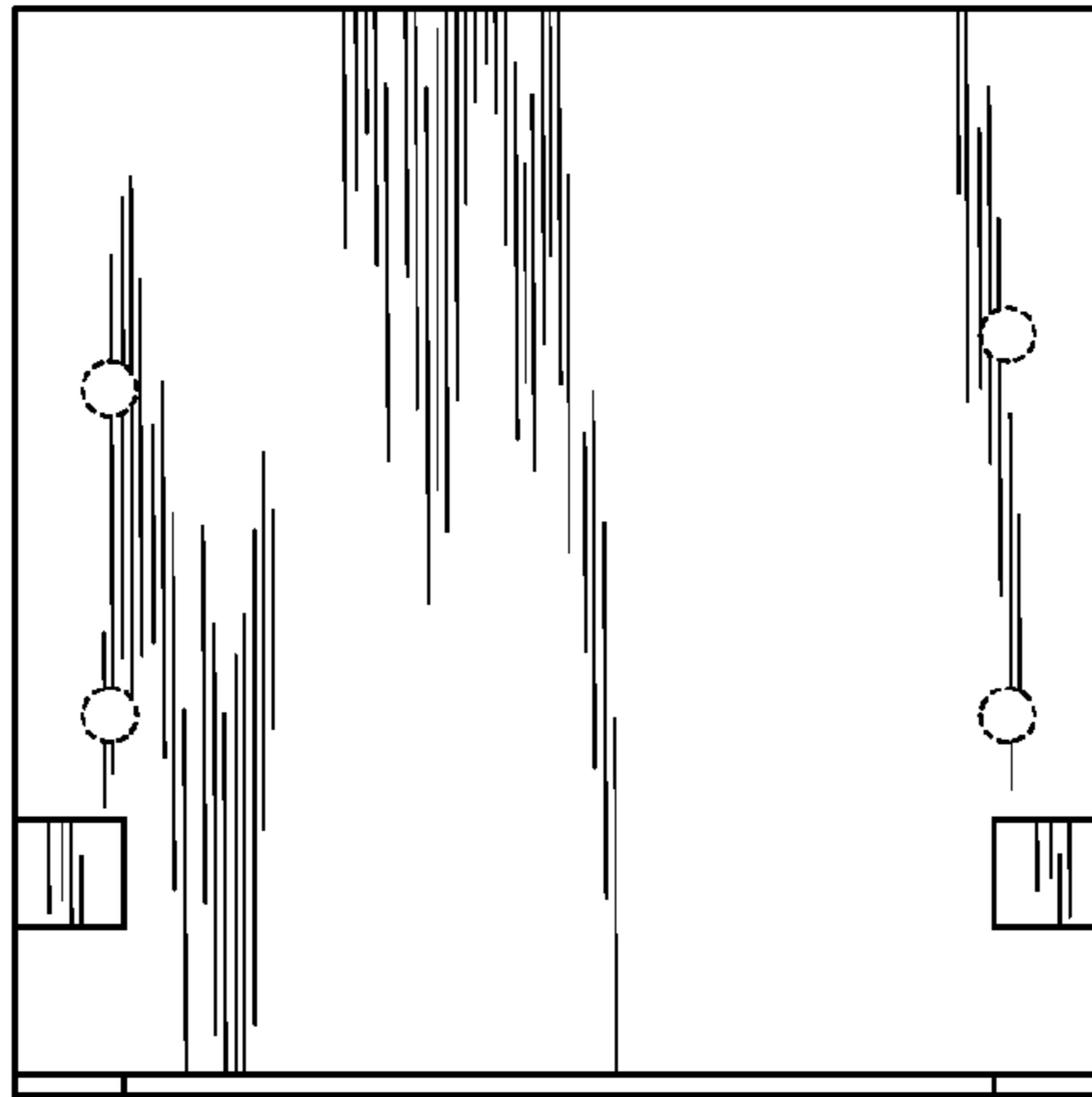


Fig. 5



Fig. 6

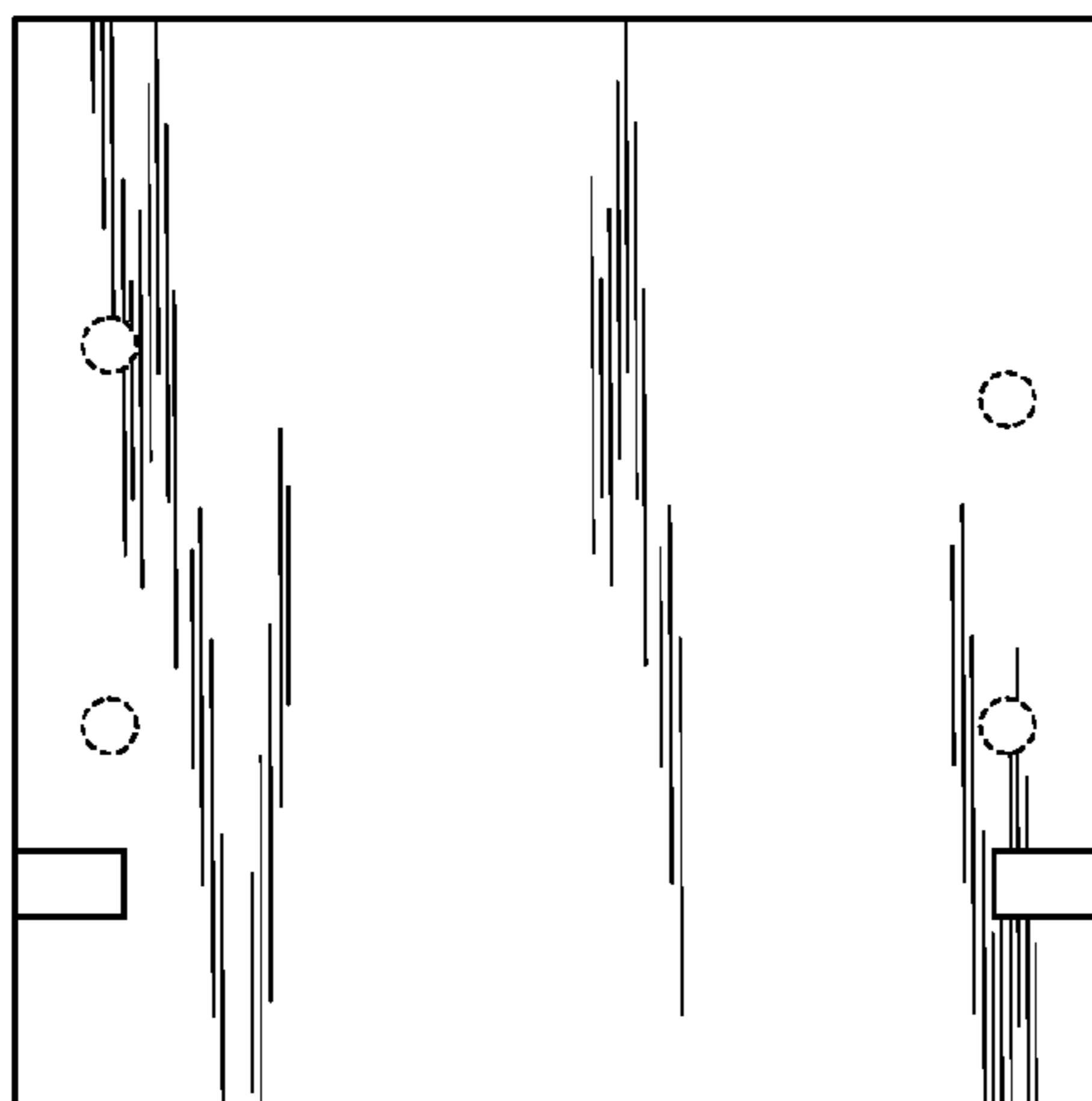


Fig. 7

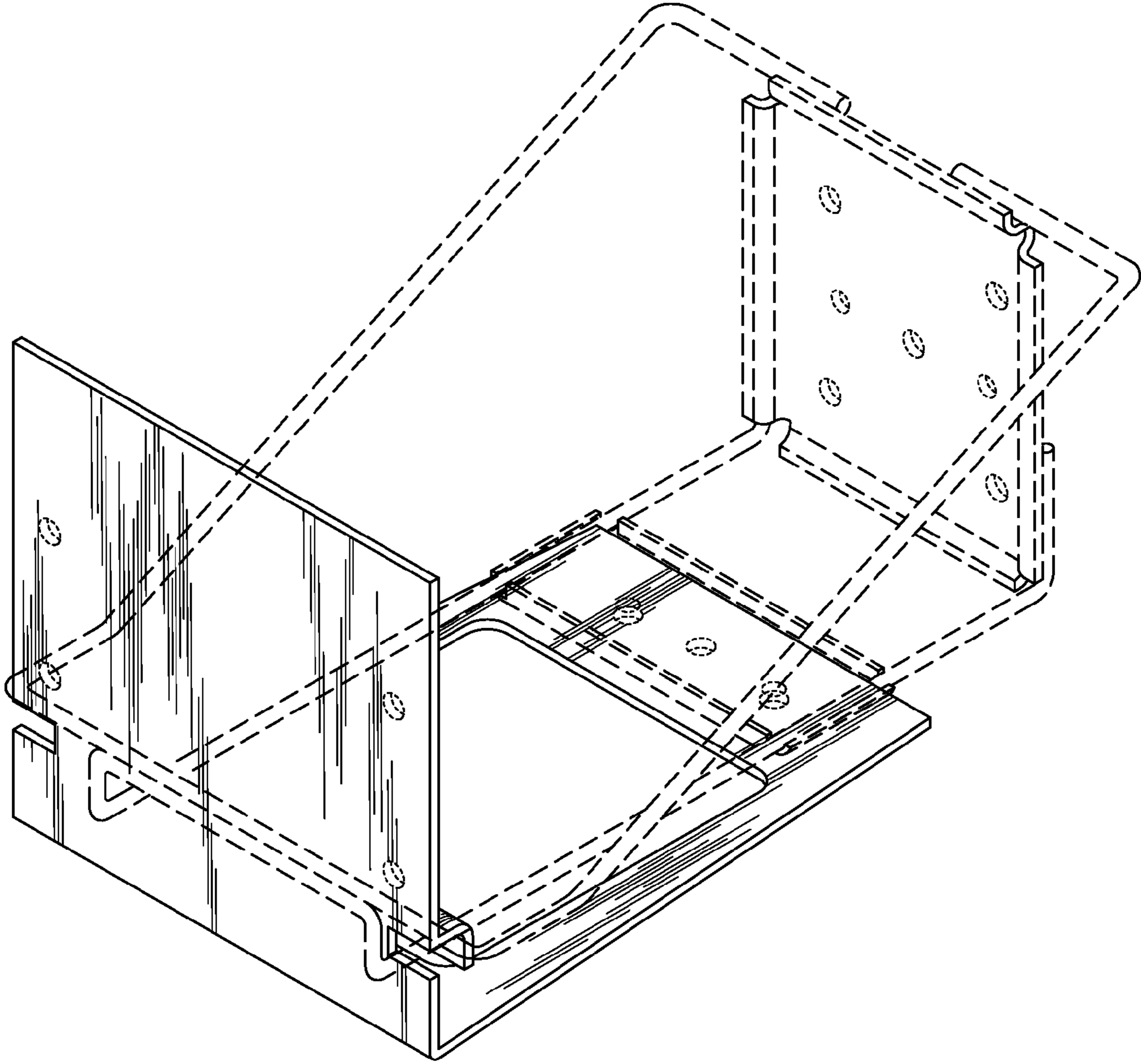


Fig. 8

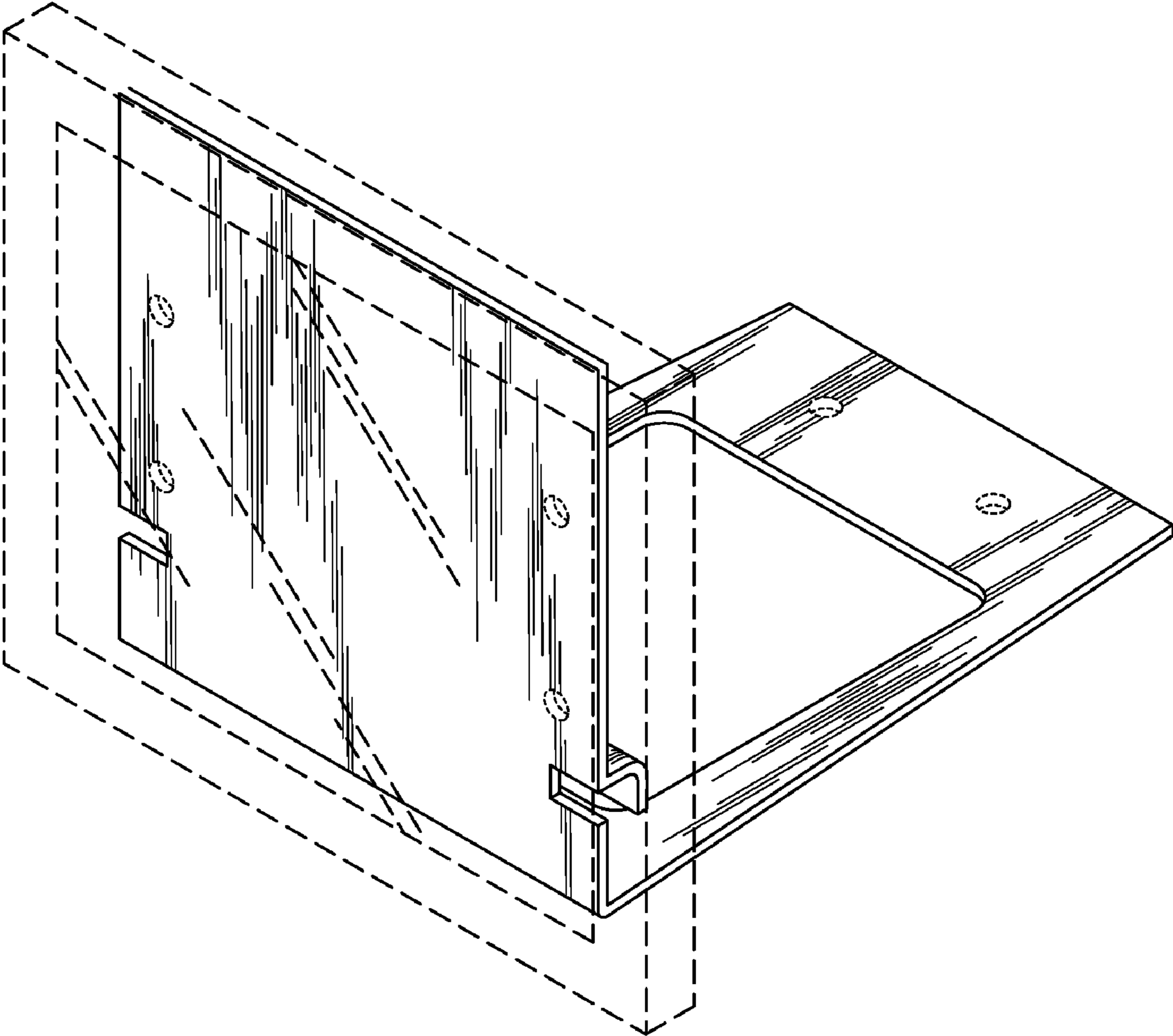


Fig. 9

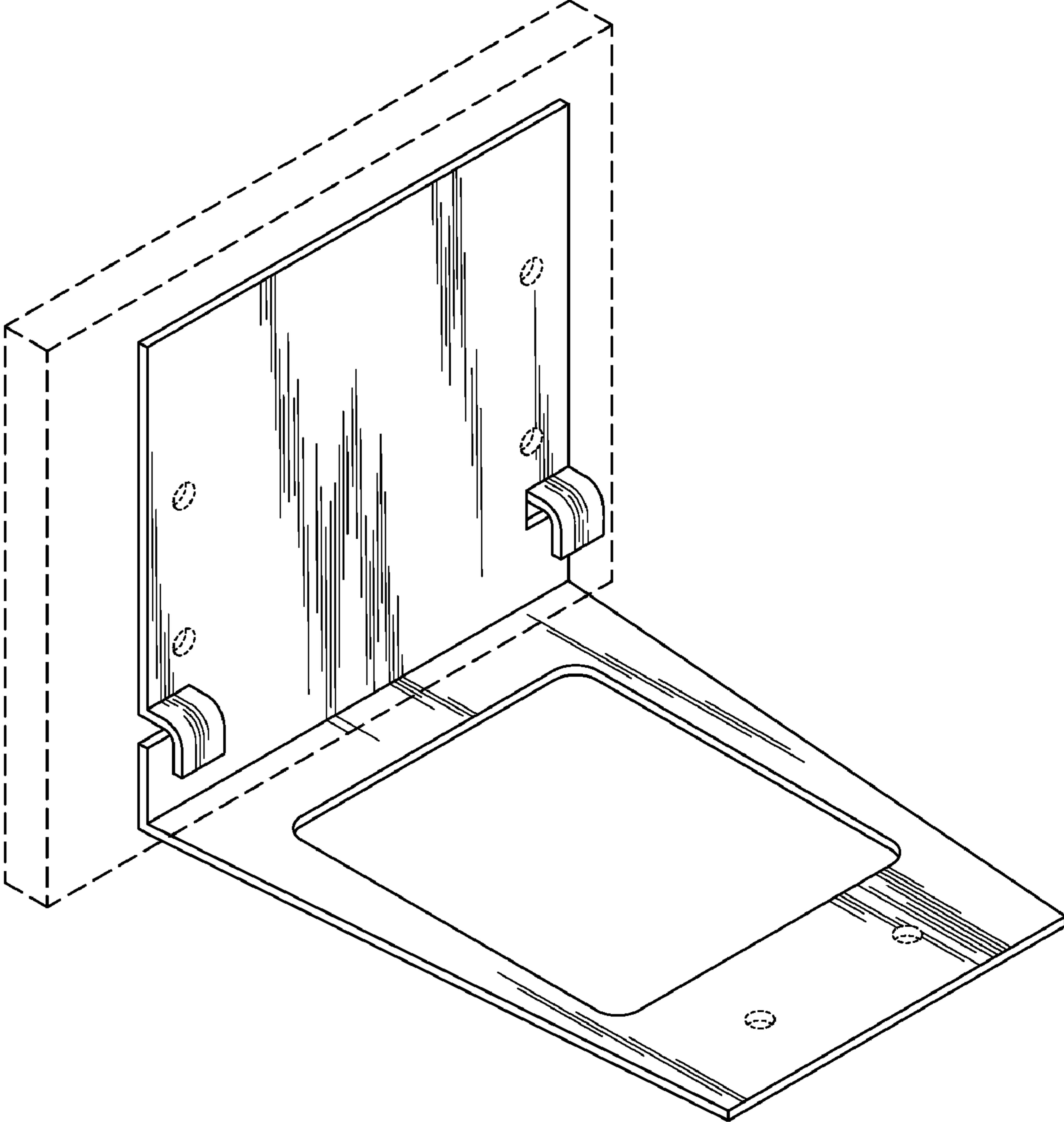


Fig. 10